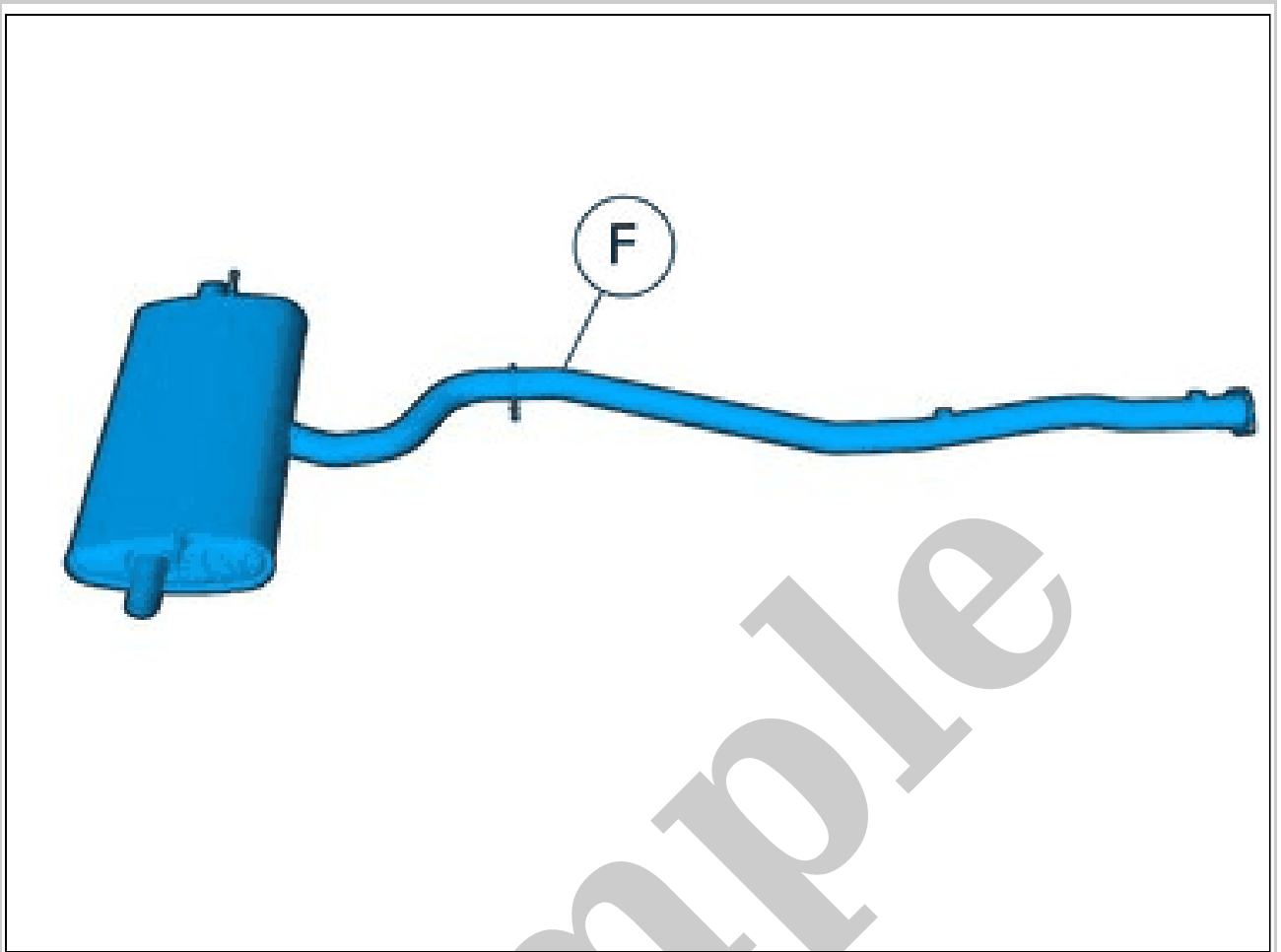


# Your Ultimate Source for OEM Repair Manuals

FactoryManuals.net is a great resource for anyone who wants to save money on repairs by doing their own work. The manuals provide detailed instructions and diagrams that make it easy to understand how to fix a vehicle.

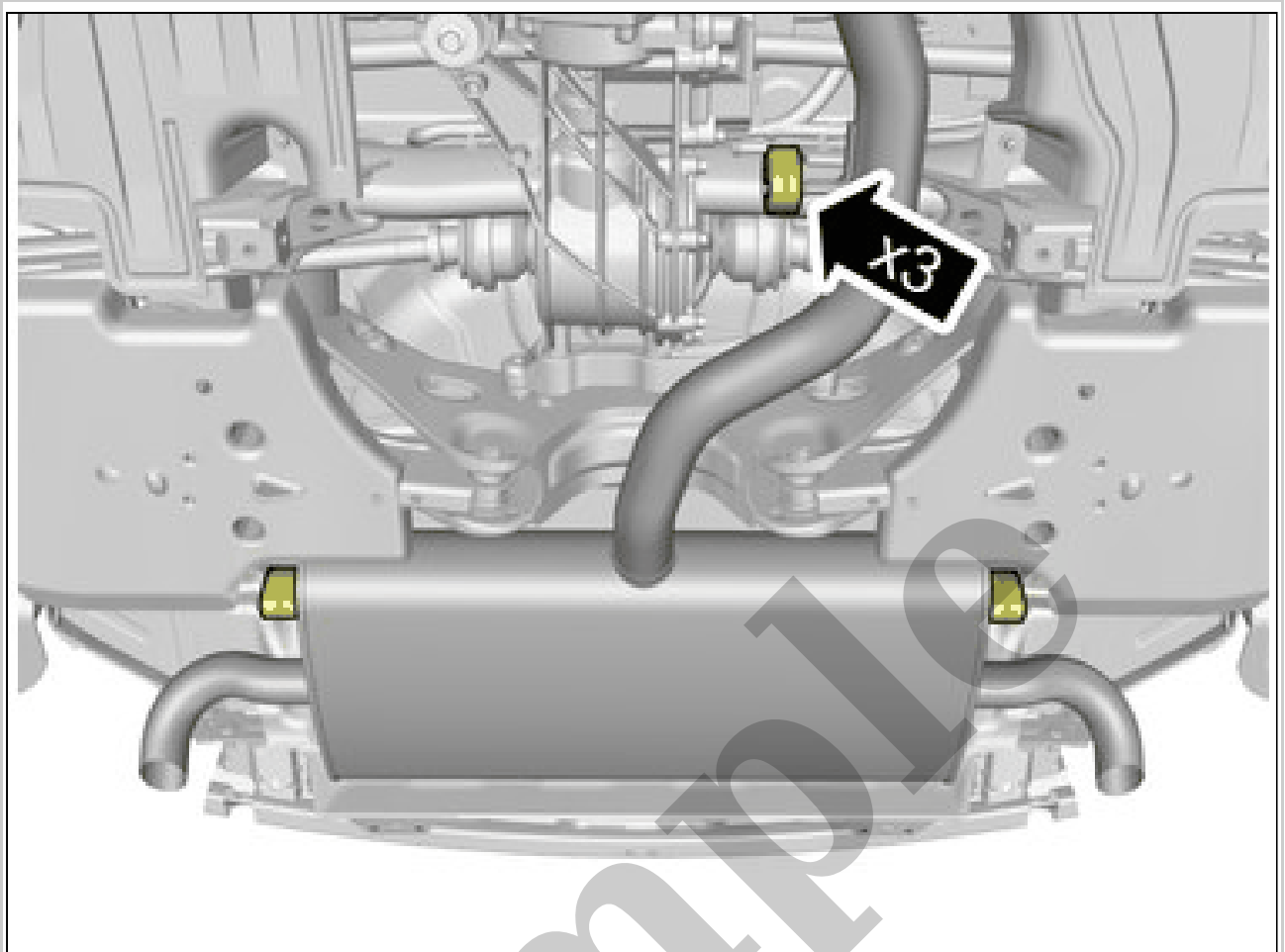
## Volvo XC60 2013 Manual - Complete Service & Repair

[Go to manual page](#)



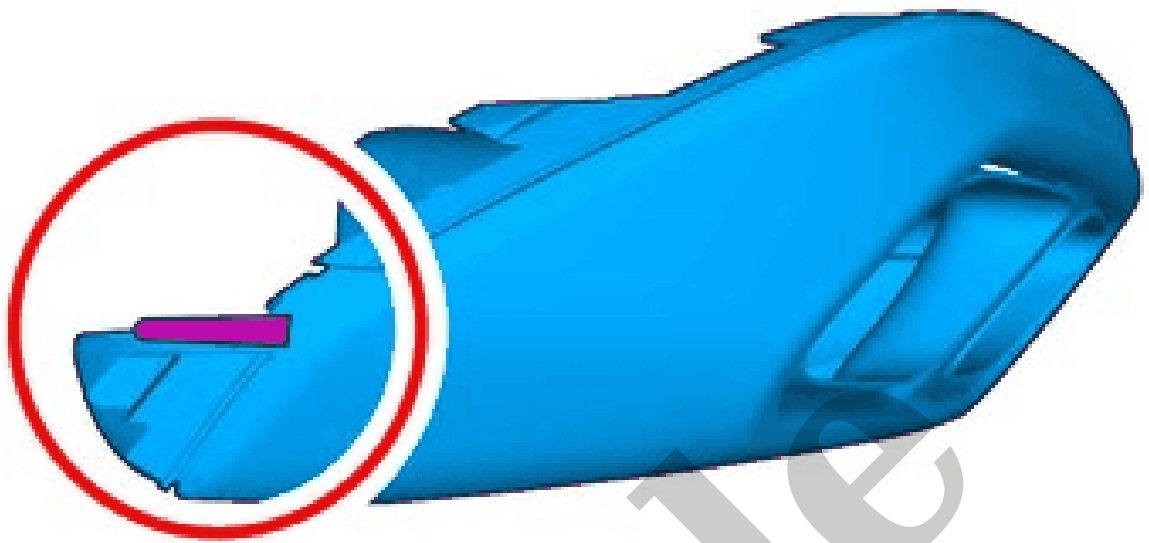
Courtesy of VOLVO CARS CORPORATION

Use detail according to image.



Courtesy of VOLVO CARS CORPORATION

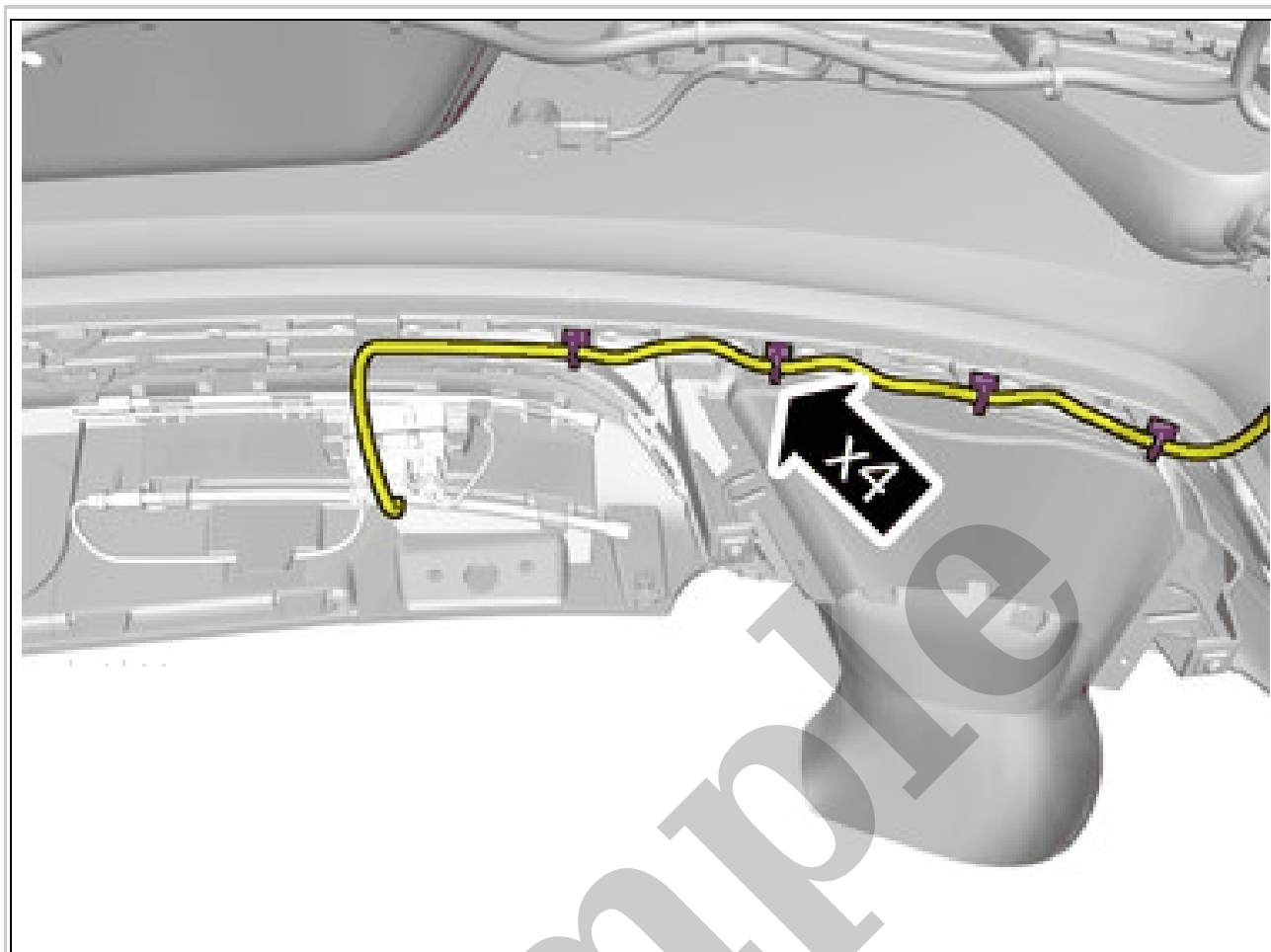
Install the marked components.



Courtesy of VOLVO CARS CORPORATION

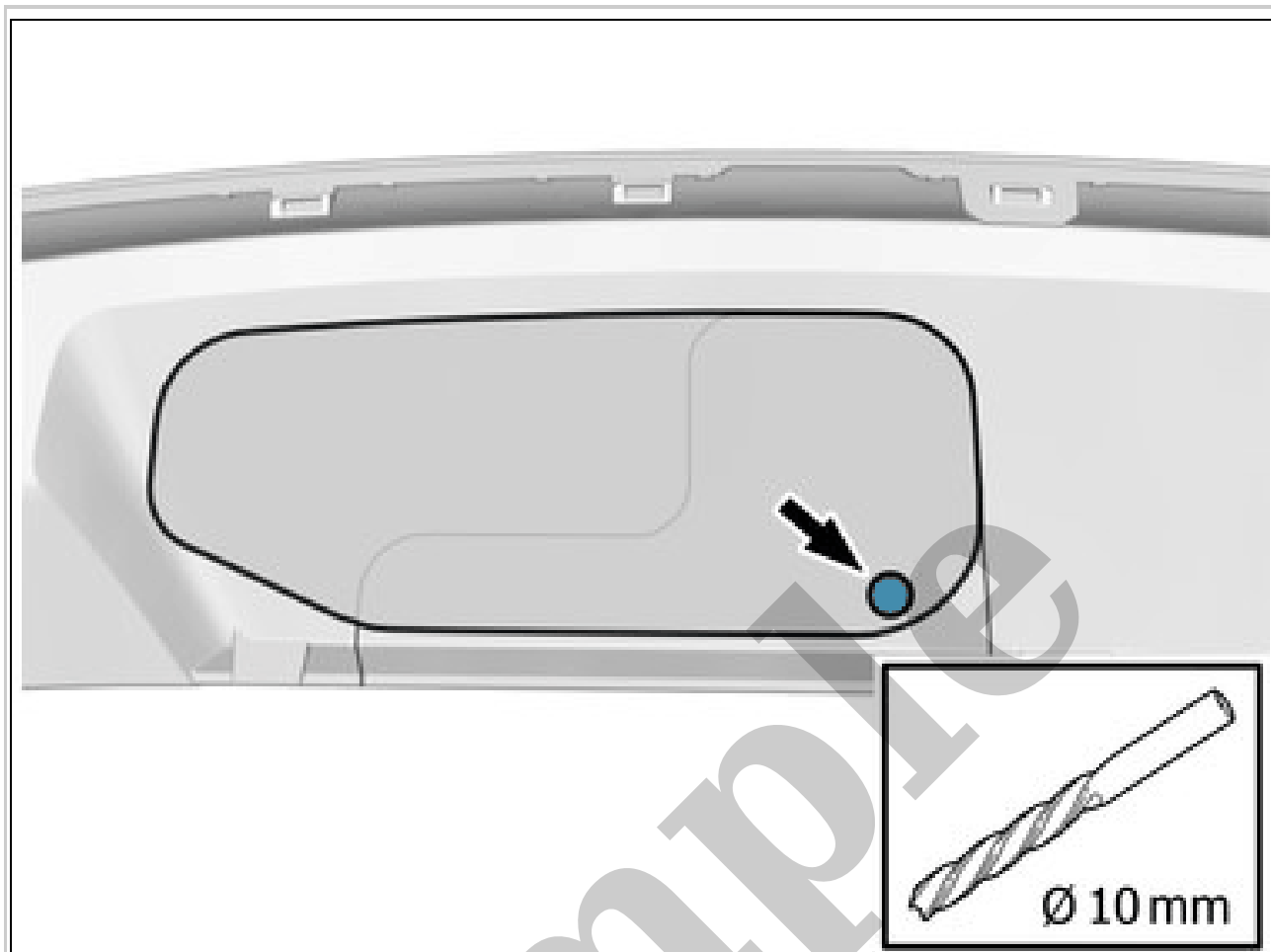
**CAUTION:** *Be extra careful when removing or installing this component.*

**CAUTION:** *Make sure not to damage painted surfaces.*



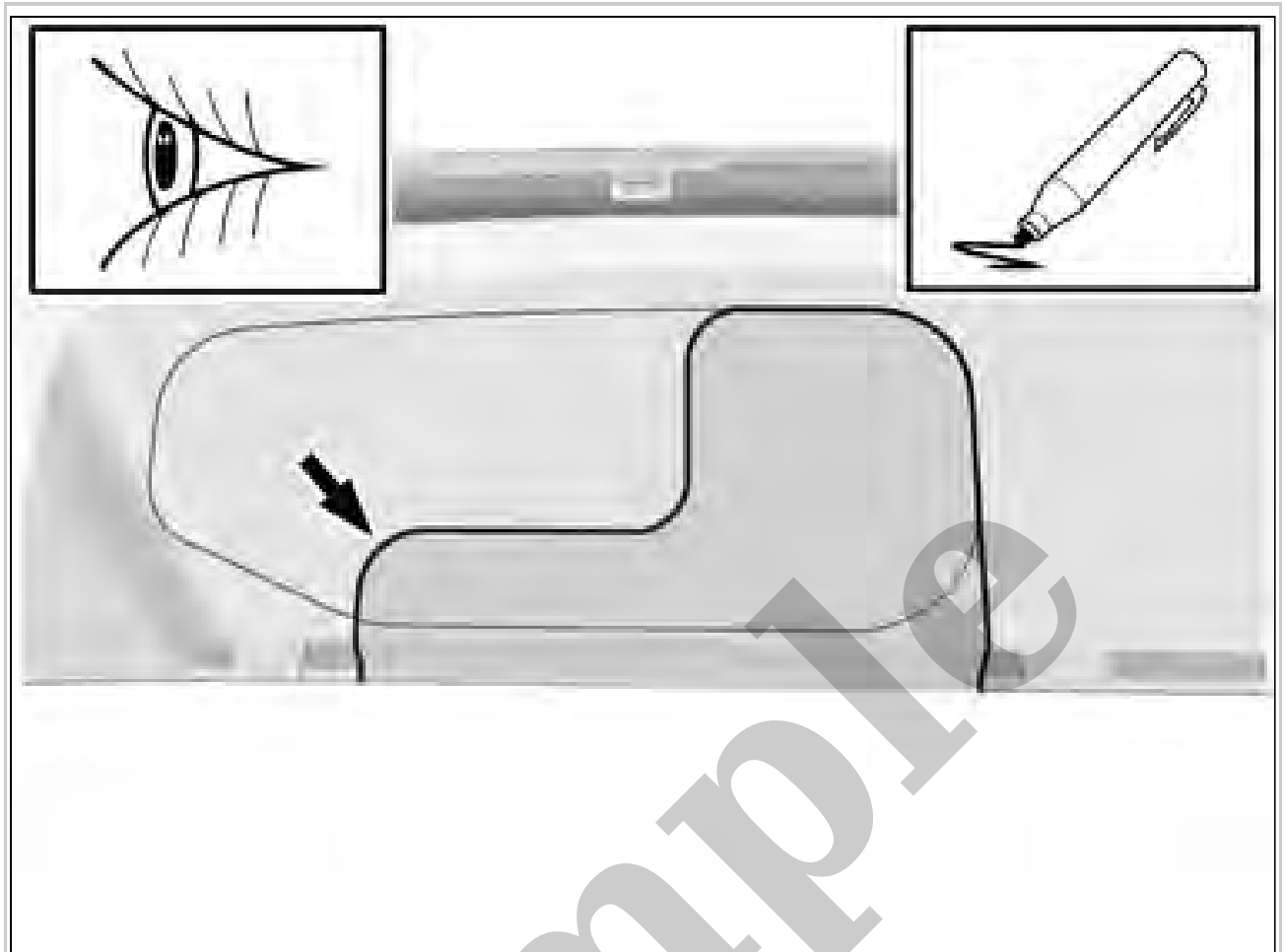
Courtesy of VOLVO CARS CORPORATION

Fasten the wiring harness using the existing clips.



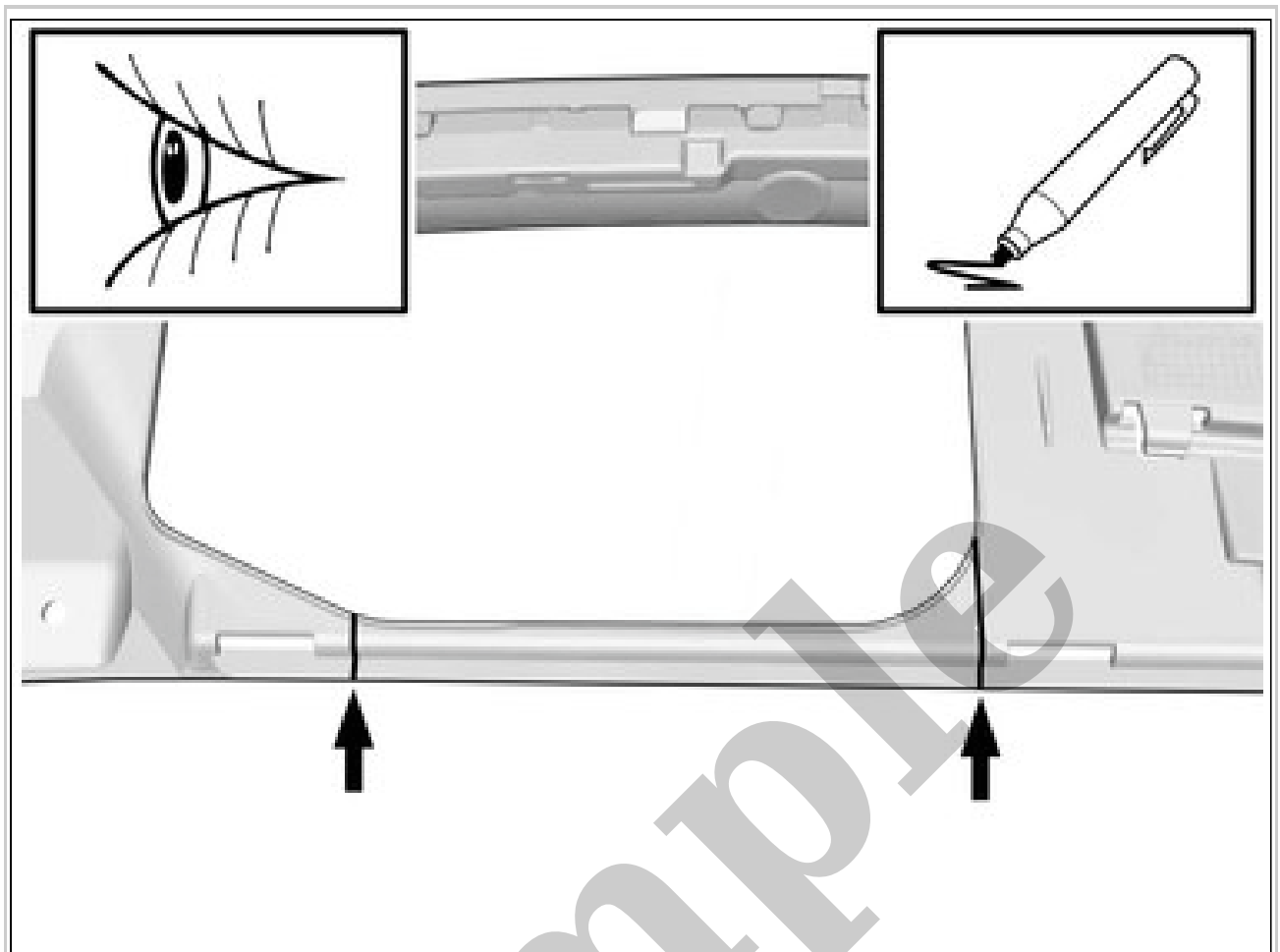
Courtesy of VOLVO CARS CORPORATION

Make a hole, using the tool indicated.



Courtesy of VOLVO CARS CORPORATION

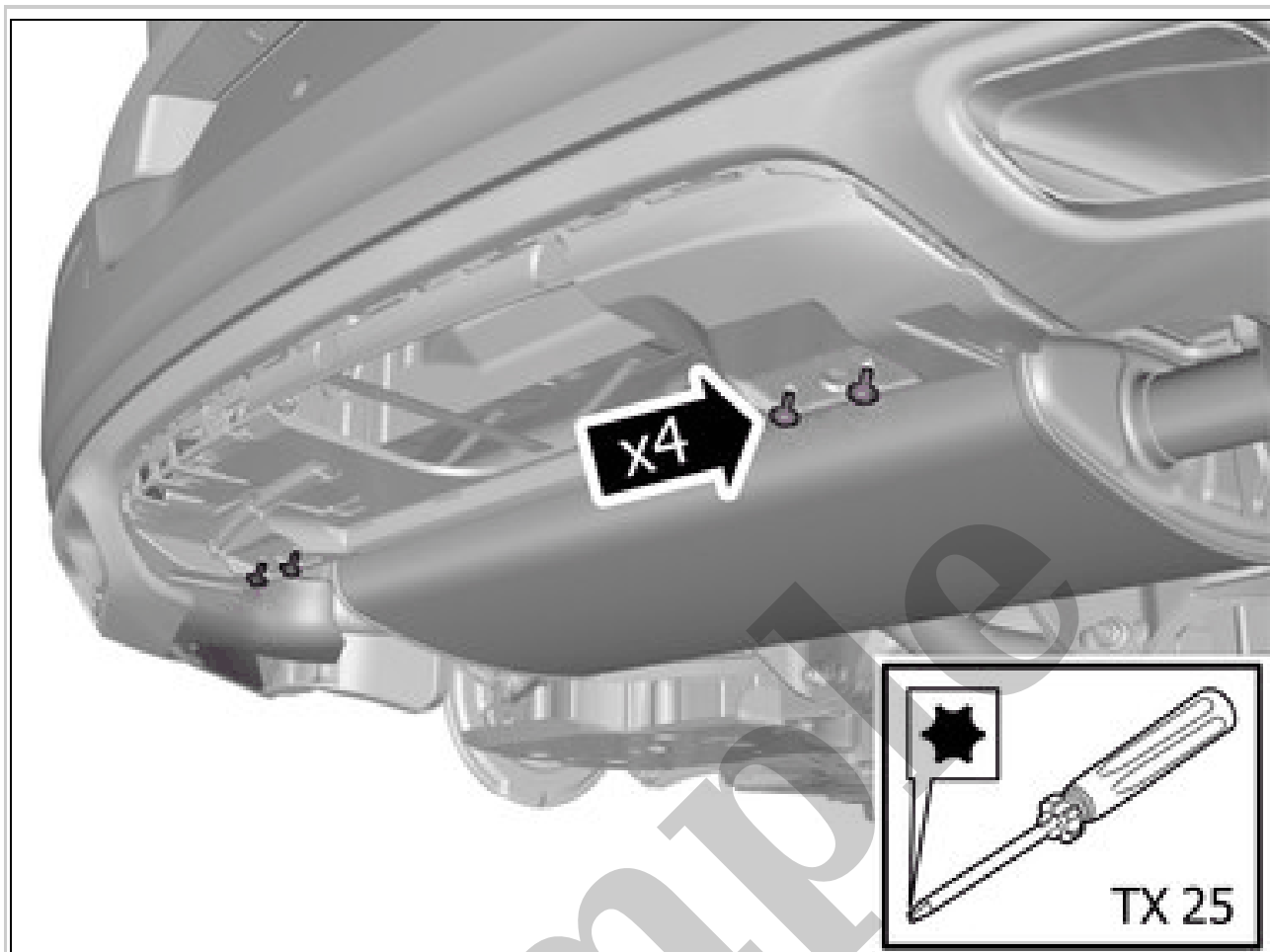
Locate relevant marking.  
Mark using a pen



Courtesy of VOLVO CARS CORPORATION

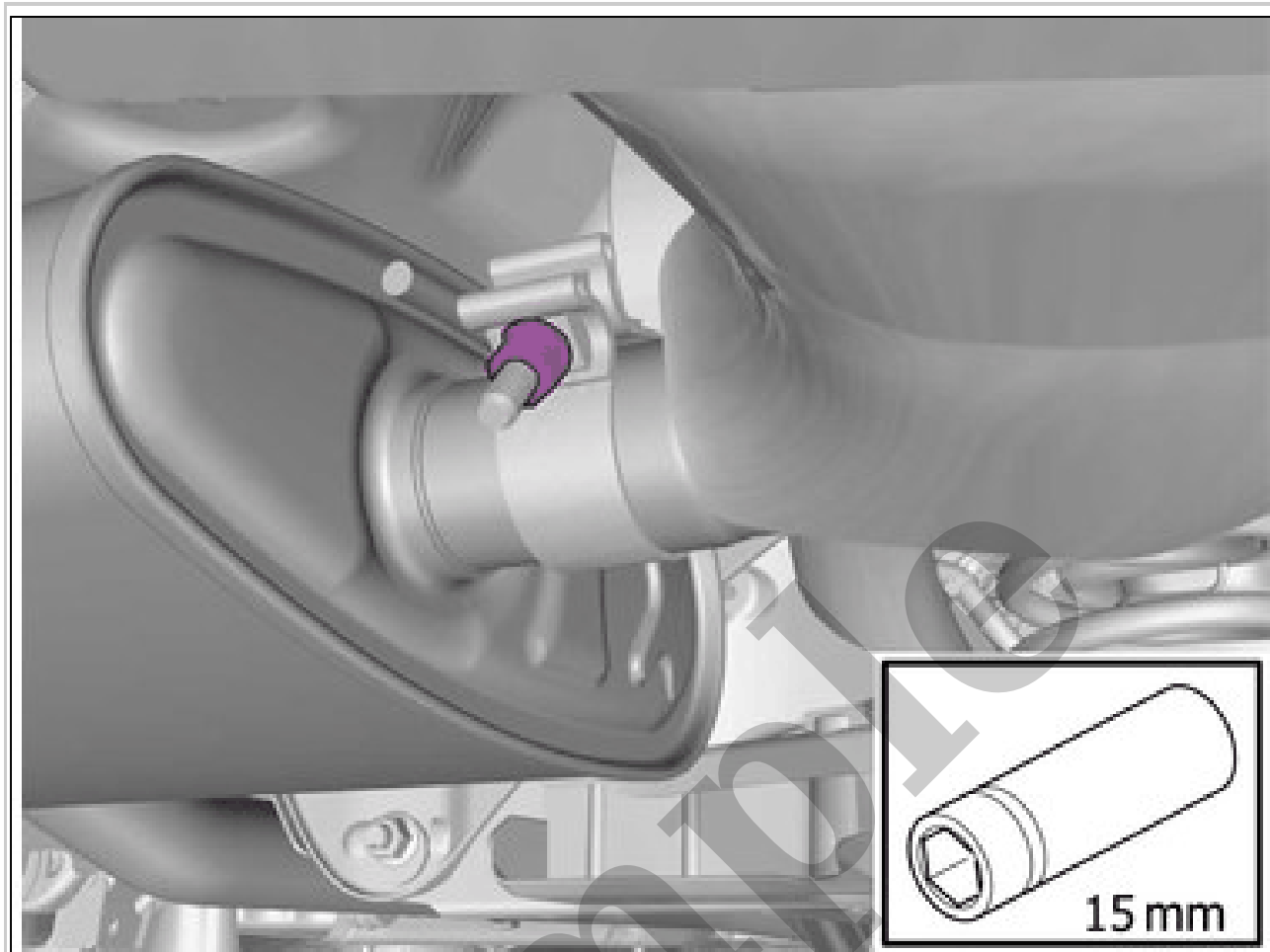
Locate relevant marking.  
Mark using a pen





Courtesy of VOLVO CARS CORPORATION

Install the screws.



Courtesy of VOLVO CARS CORPORATION

Tighten the nut.

**Torque:** Exhaust end pipe, to Muffler, 55Nm

Repeat on the other side.

**INSTALLATION**

Reinstall the removed parts in reverse order.