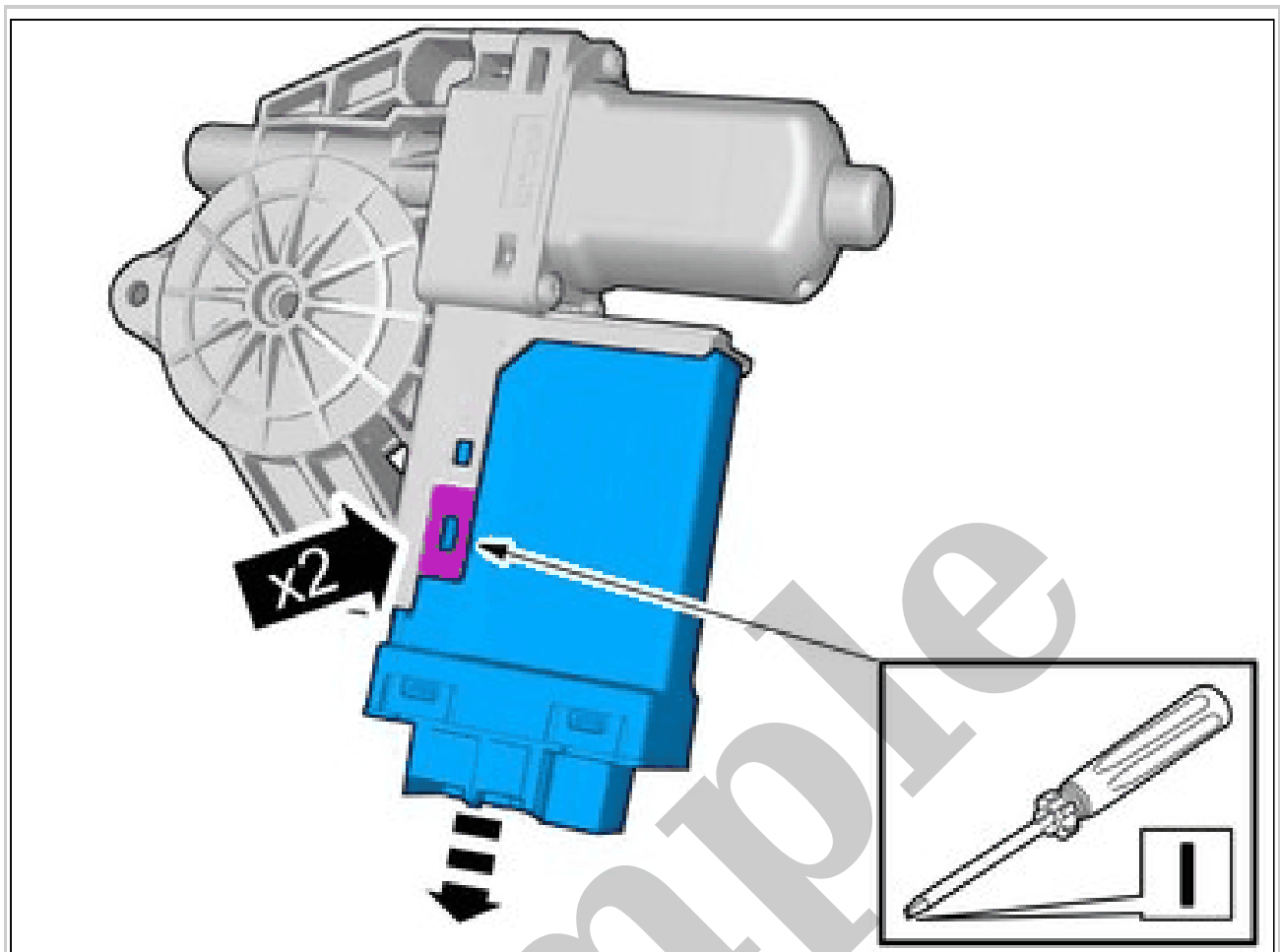


Your Ultimate Source for OEM Repair Manuals

FactoryManuals.net is a great resource for anyone who wants to save money on repairs by doing their own work. The manuals provide detailed instructions and diagrams that make it easy to understand how to fix a vehicle.

2013 Volvo C30 Service and Repair Manual

[Go to manual page](#)



Courtesy of VOLVO CARS CORPORATION

CAUTION: *Be careful not to damage the catches.*

Release the catches.

Remove the marked part.

Use: Electrician's screwdriver

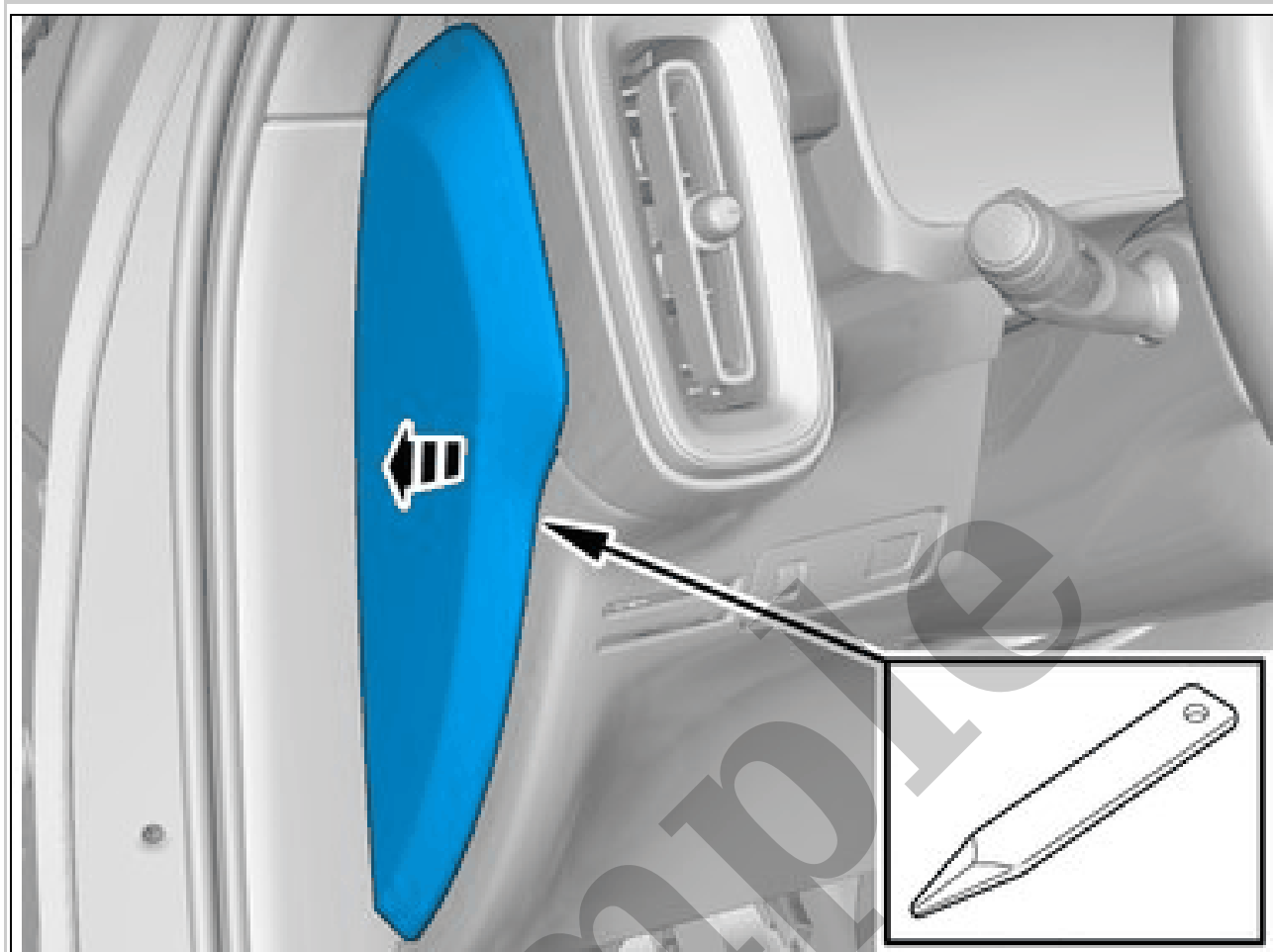
REAR DOOR MODULE RDM > REAR DOOR MODULE RDM [2018-2022] > INSTALLATION

To install, reverse the removal procedure.

Perform power window motor, initiation. Refer to: DOOR WINDOW MOTOR INITIALIZATION

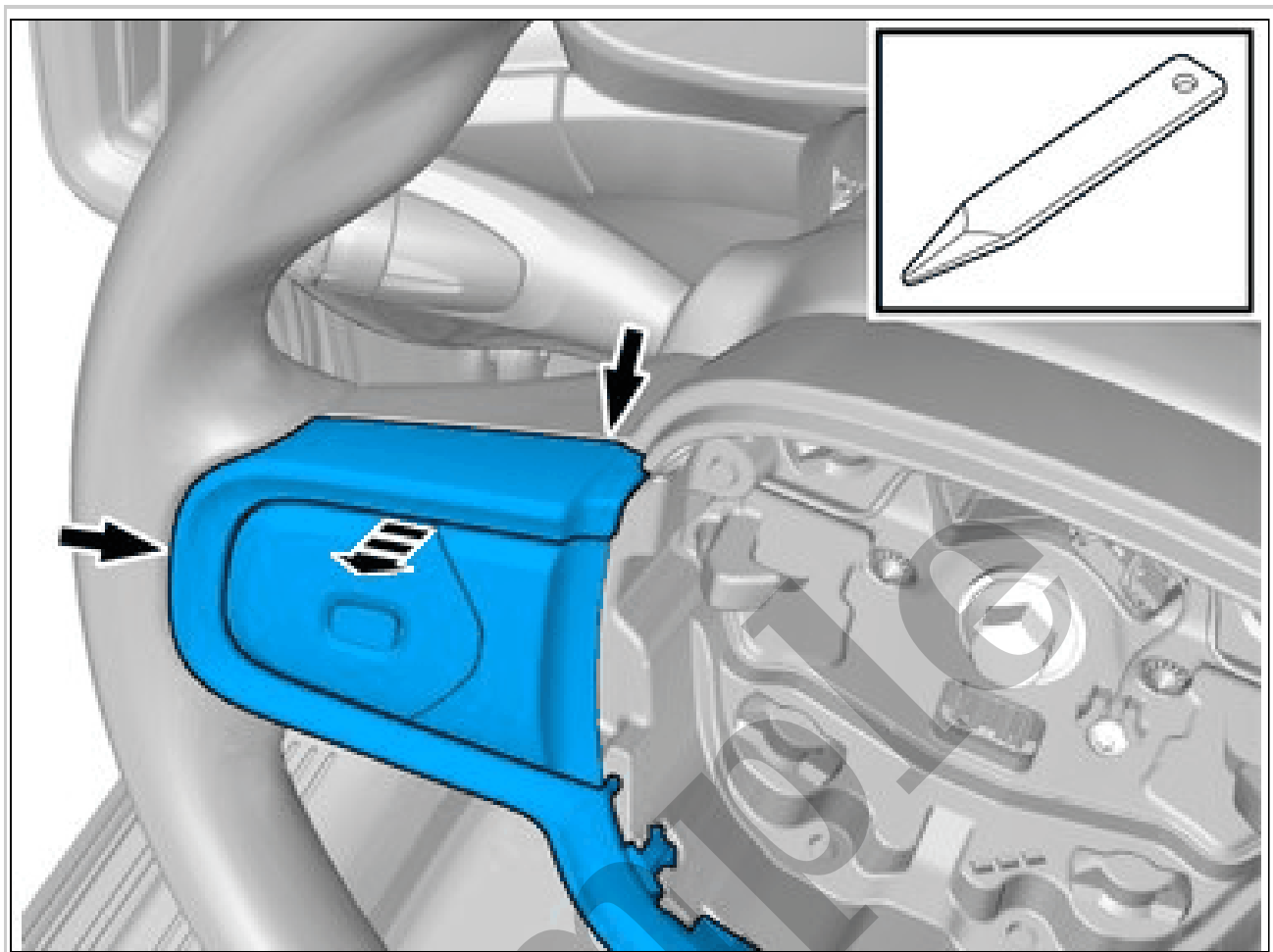
NOTE: *If installing a new rear door module (RDM) the front door module on the same side will require a software update.*

APPLIES TO THE DRIVER'S SIDE



Courtesy of VOLVO CARS CORPORATION

Remove the marked part.



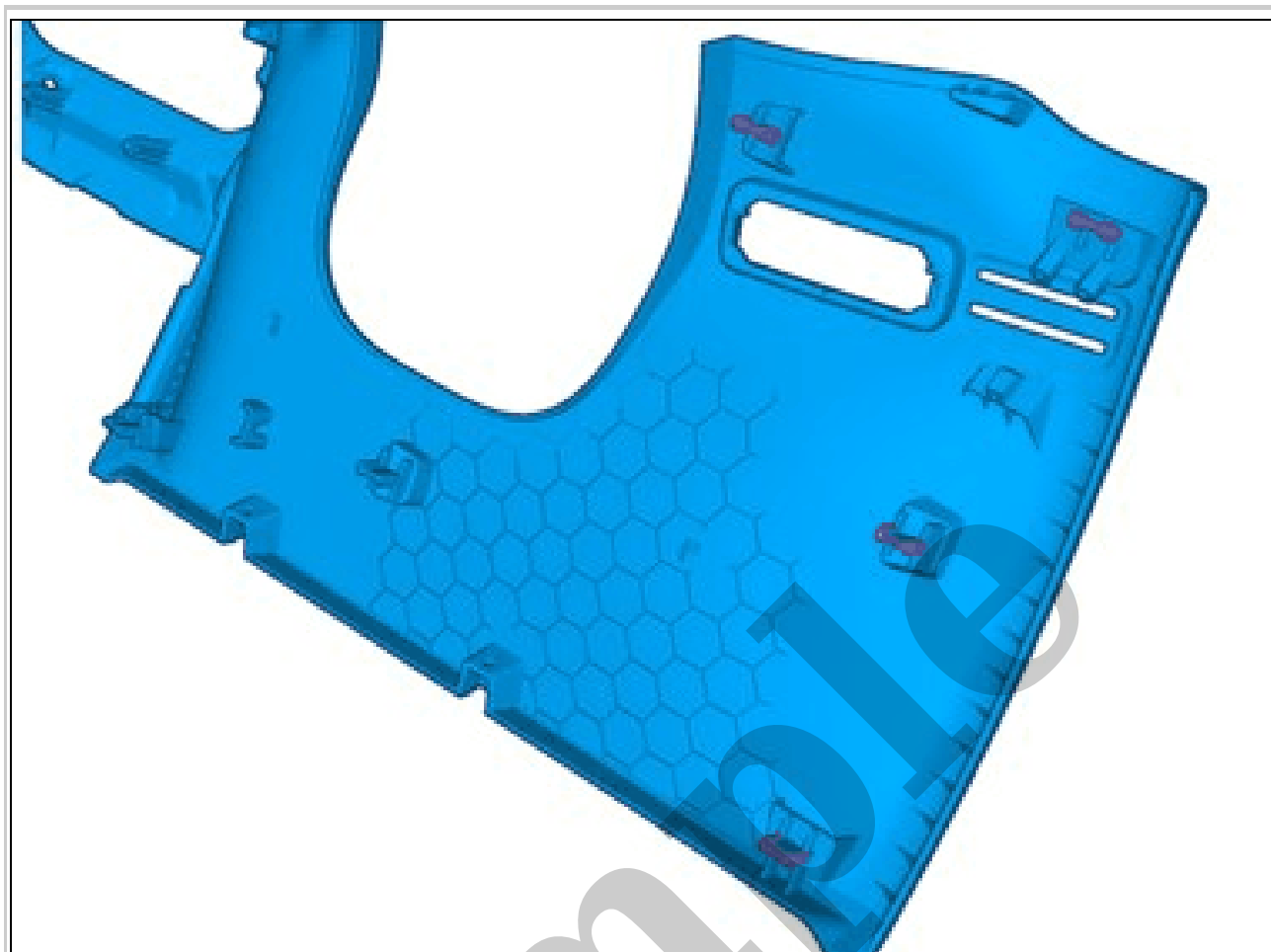
Courtesy of VOLVO CARS CORPORATION

On both sides.



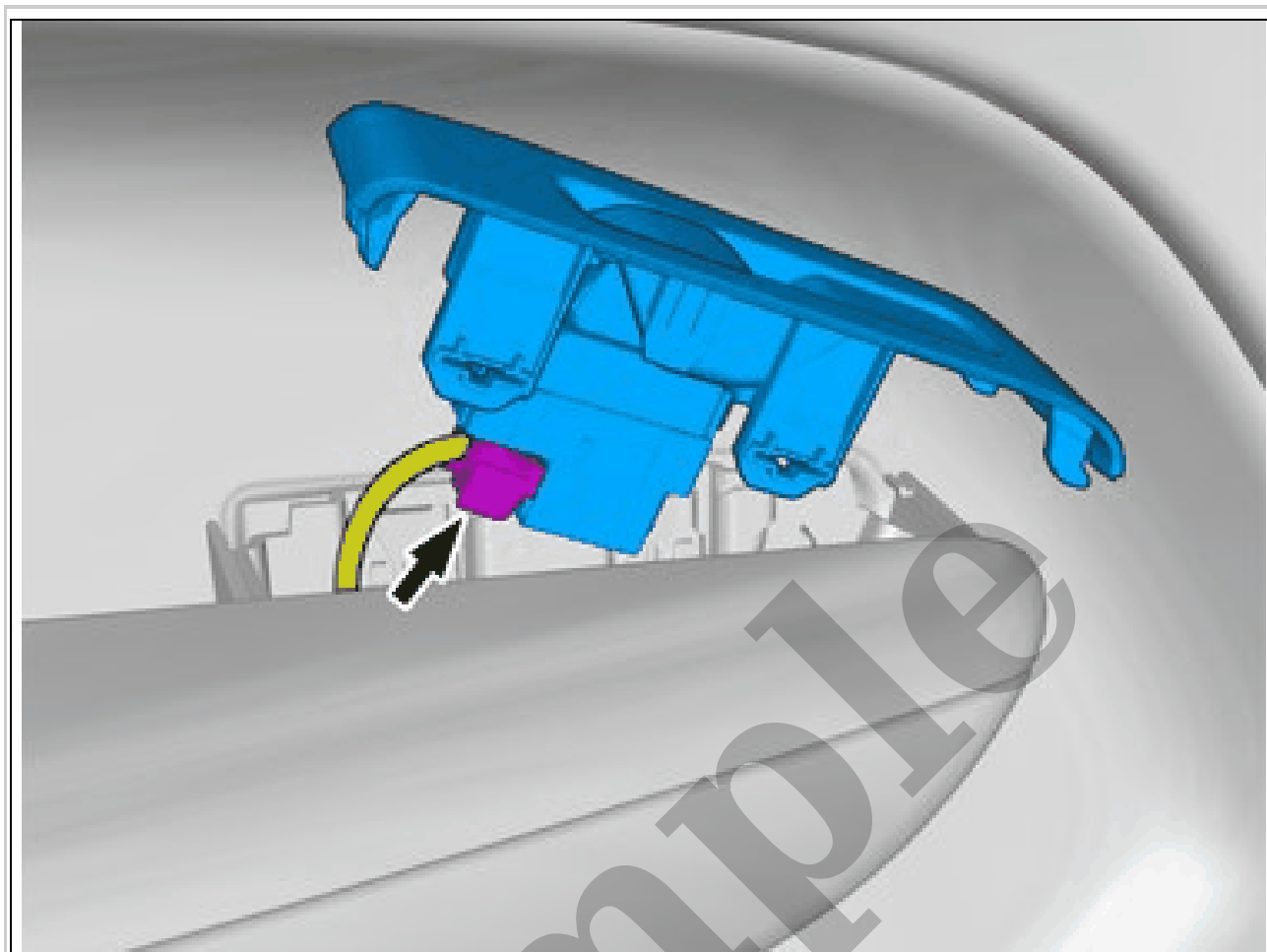
Courtesy of VOLVO CARS CORPORATION

NOTE: *The graphic shows the back of the component before removal.*



Courtesy of VOLVO CARS CORPORATION

NOTE: *The graphic shows the back of the component before removal.*



Courtesy of VOLVO CARS CORPORATION

Disconnect the connector.
Remove the marked part.

WINDOW CONTROL SWITCH, REAR > WINDOW CONTROL SWITCH, REAR [2018-2022] > INSTALLATION

To install, reverse the removal procedure.

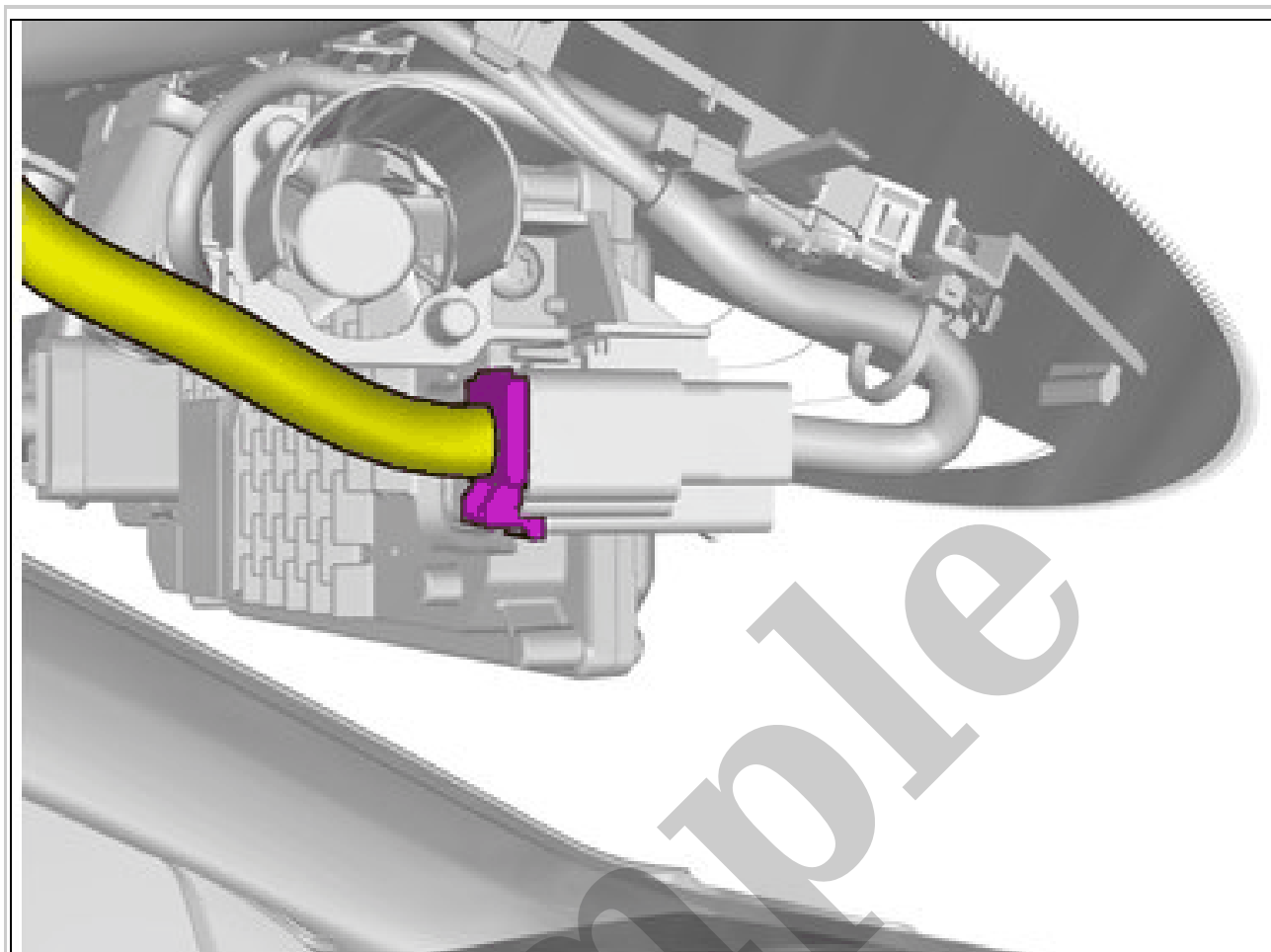
WINDOW CONTROL SWITCH FRONT > WINDOW CONTROL SWITCH FRONT [2018-2022] > REMOVAL

Set the vehicle to Inactive mode, described in user mode. Refer to: USAGE MODE



Courtesy of VOLVO CARS CORPORATION

Remove the marked part.



Courtesy of VOLVO CARS CORPORATION

Disconnect the connector.
Fold marked part aside.



Courtesy of VOLVO CARS CORPORATION

Remove the marked part.