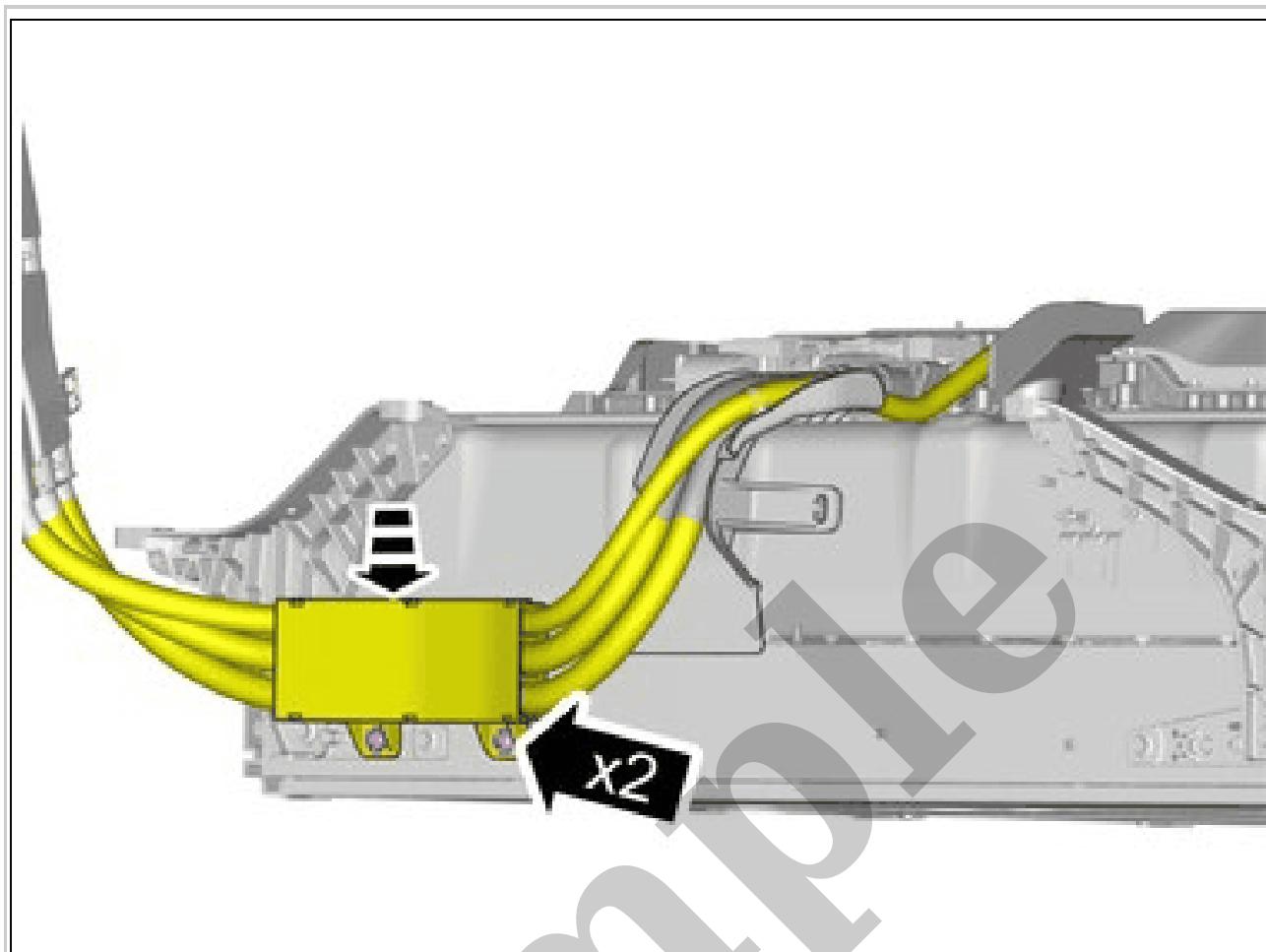


# Your Ultimate Source for OEM Repair Manuals

FactoryManuals.net is a great resource for anyone who wants to save money on repairs by doing their own work. The manuals provide detailed instructions and diagrams that make it easy to understand how to fix a vehicle.

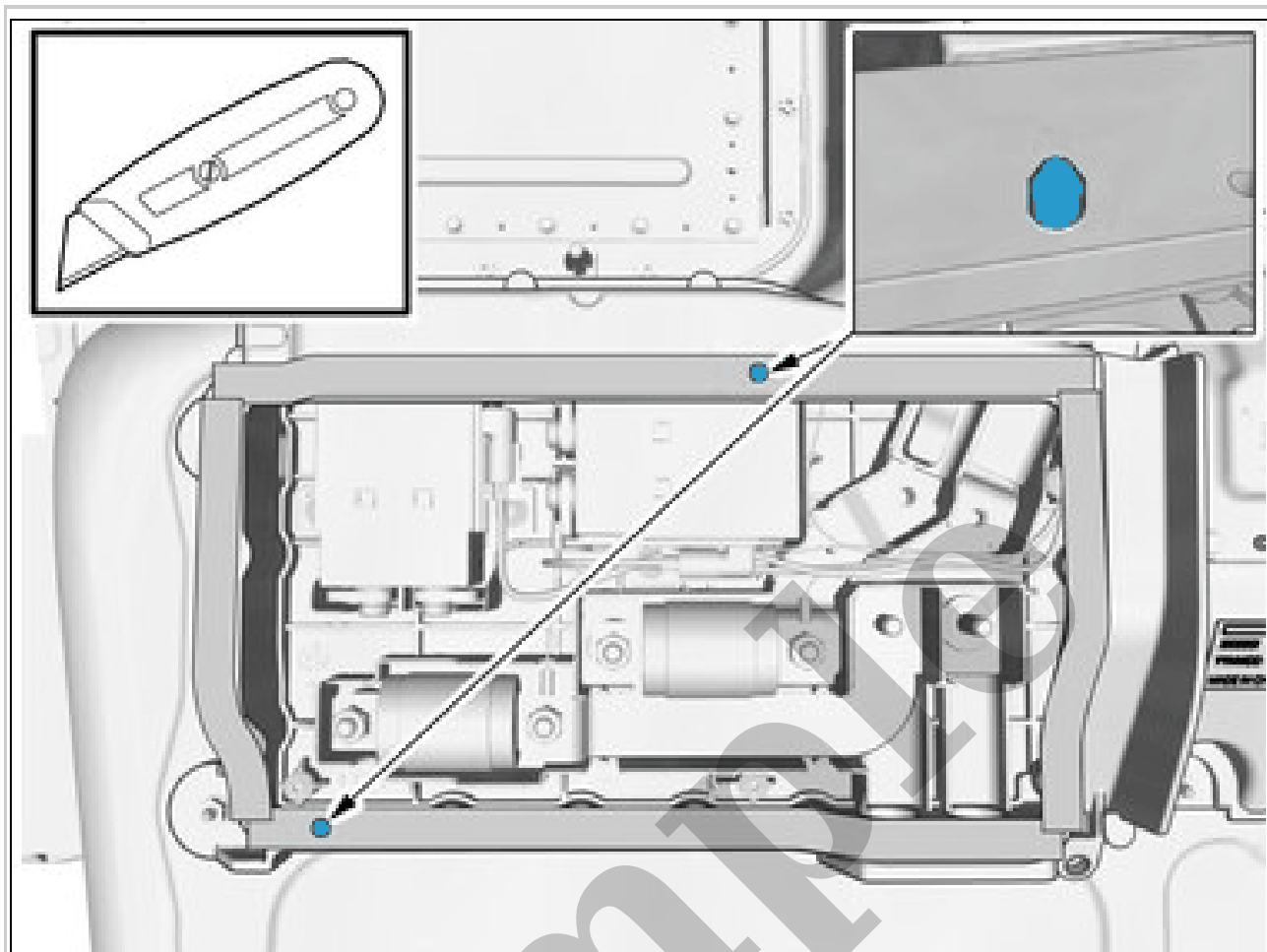
## 2013 VOLVO C30 OEM Service and Repair Workshop Manual

[Go to manual page](#)



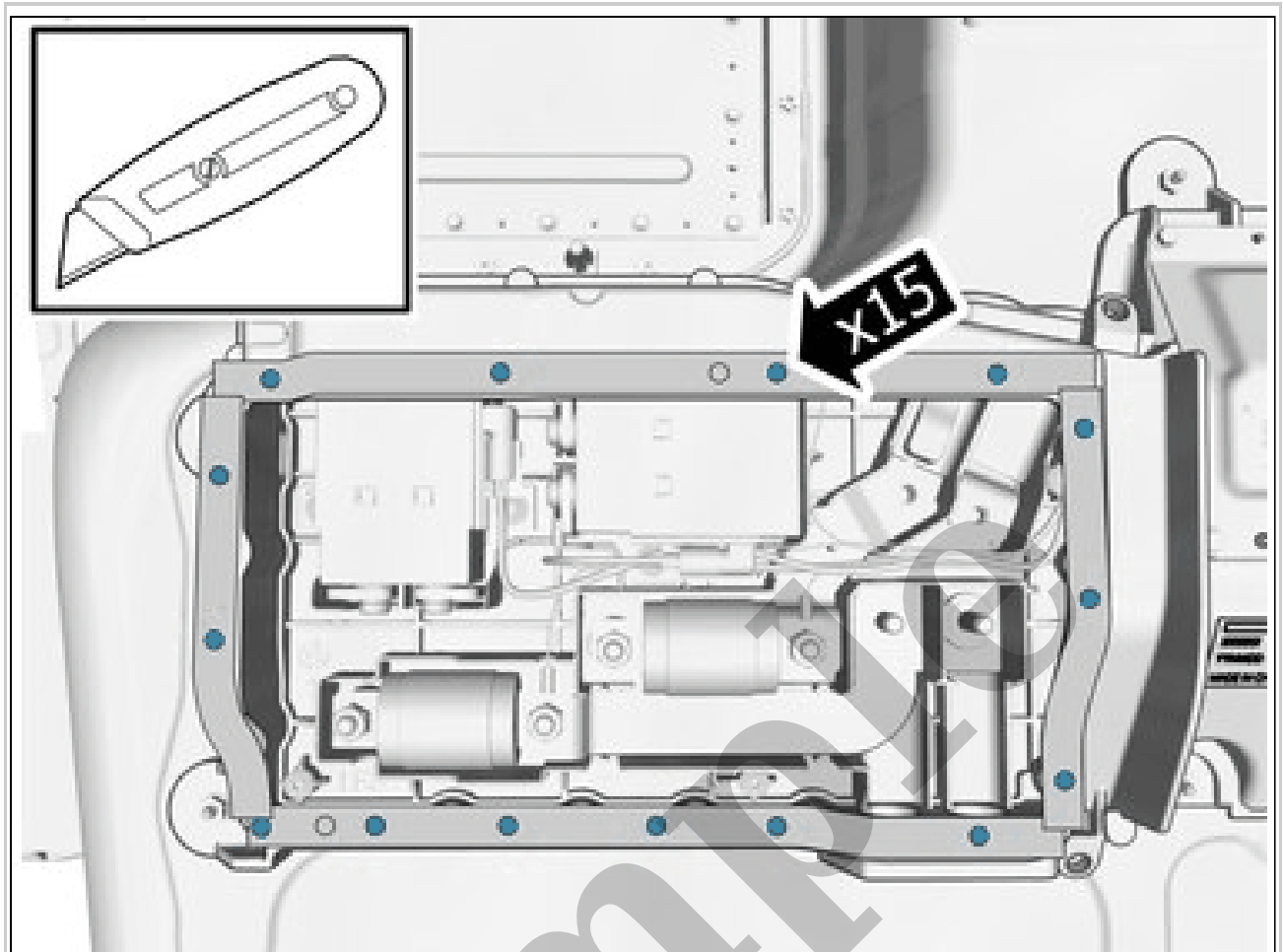
Courtesy of VOLVO CARS CORPORATION

Install the screws.  
**Torque:** M6, 10Nm



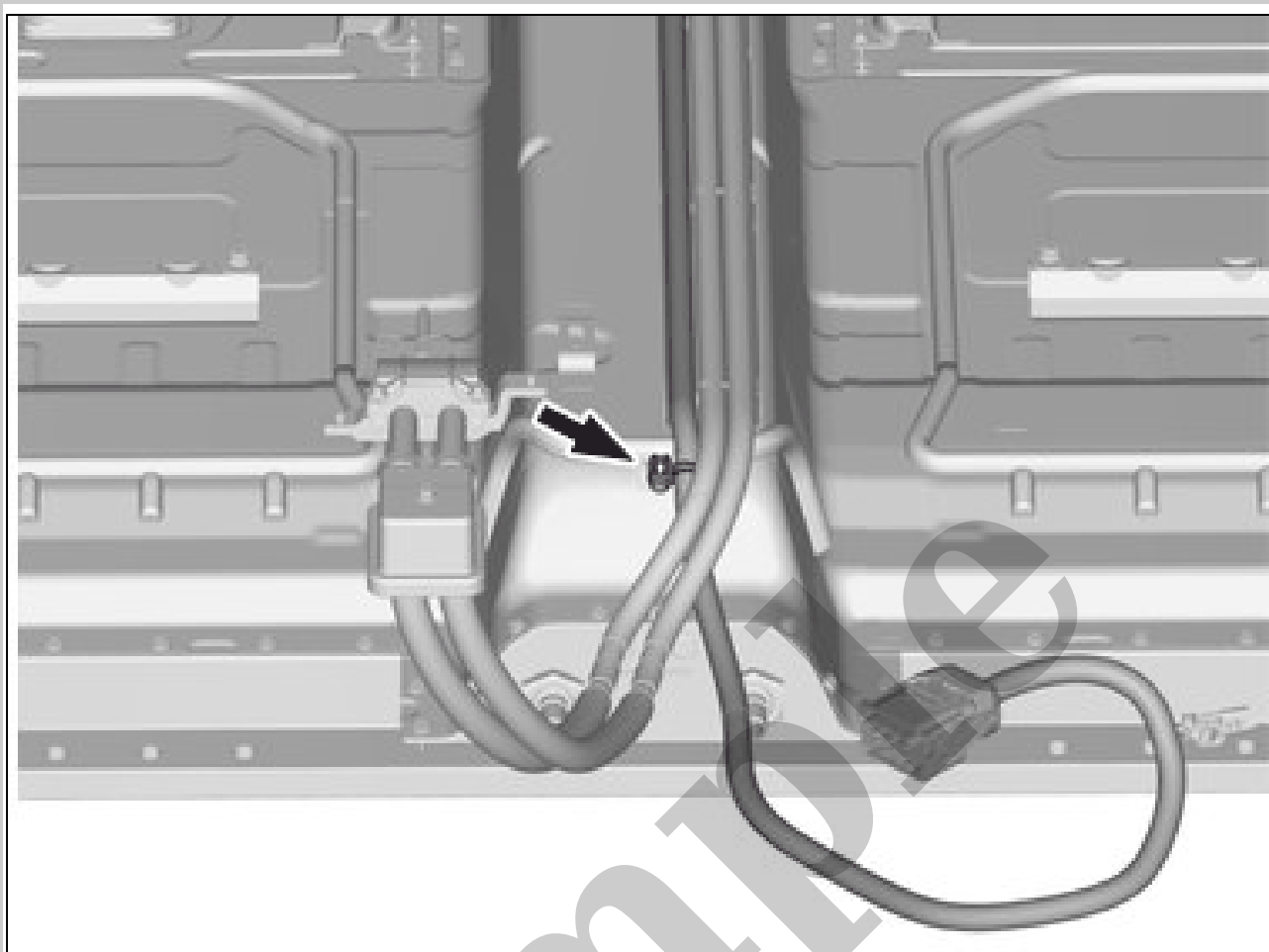
Courtesy of VOLVO CARS CORPORATION

Remove part of component according to image.



Courtesy of VOLVO CARS CORPORATION

Remove part of component according to image.



Courtesy of VOLVO CARS CORPORATION

Install the clip(s).

**CHECK**

Perform high voltage battery seal check. Refer to: HIGH VOLTAGE BATTERY SEAL CHECK

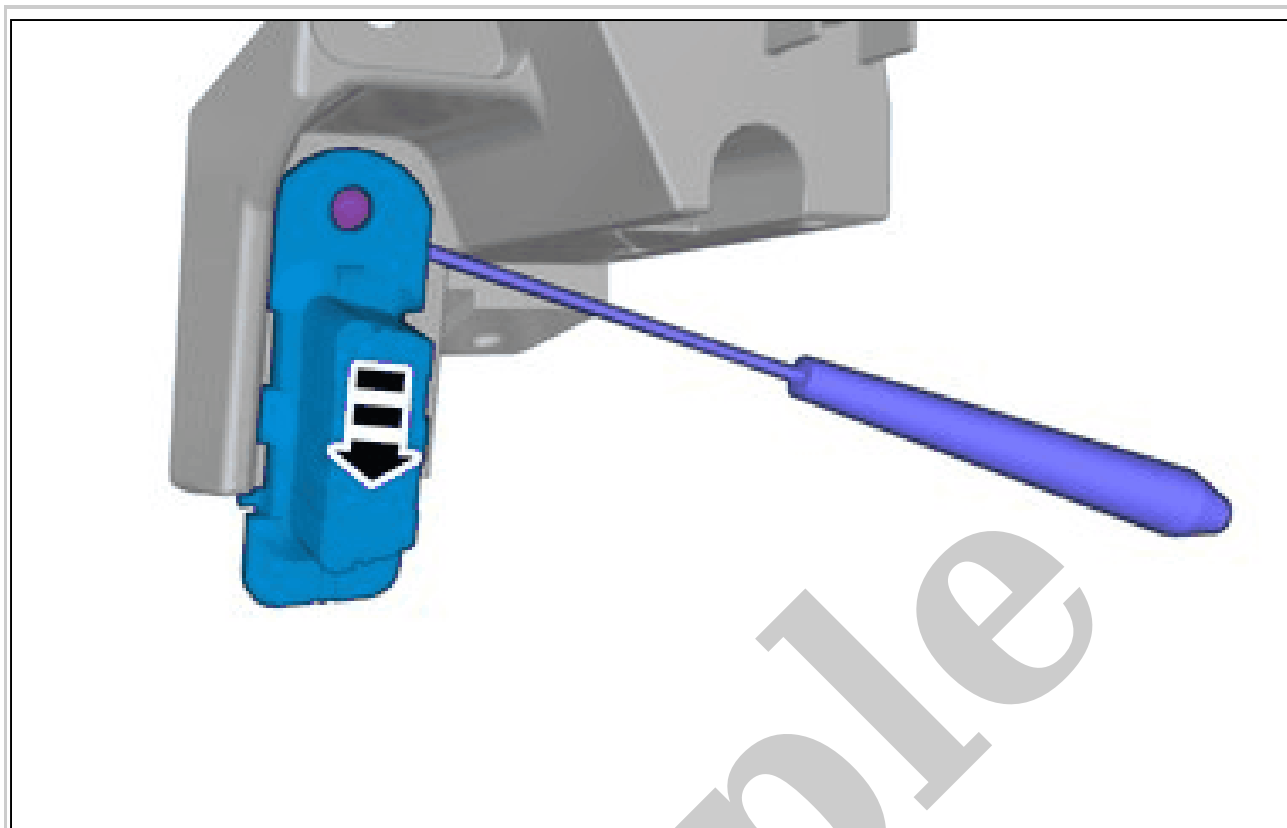
Install High Voltage Battery. Refer to: HIGH VOLTAGE BATTERY

**CHARGE CONNECTOR LOCKING MOTOR > CHARGE CONNECTOR LOCKING MOTOR [2021-2022, E400V6] > REMOVAL**

**NOTE:** *Removal steps in this procedure may contain installation details.*

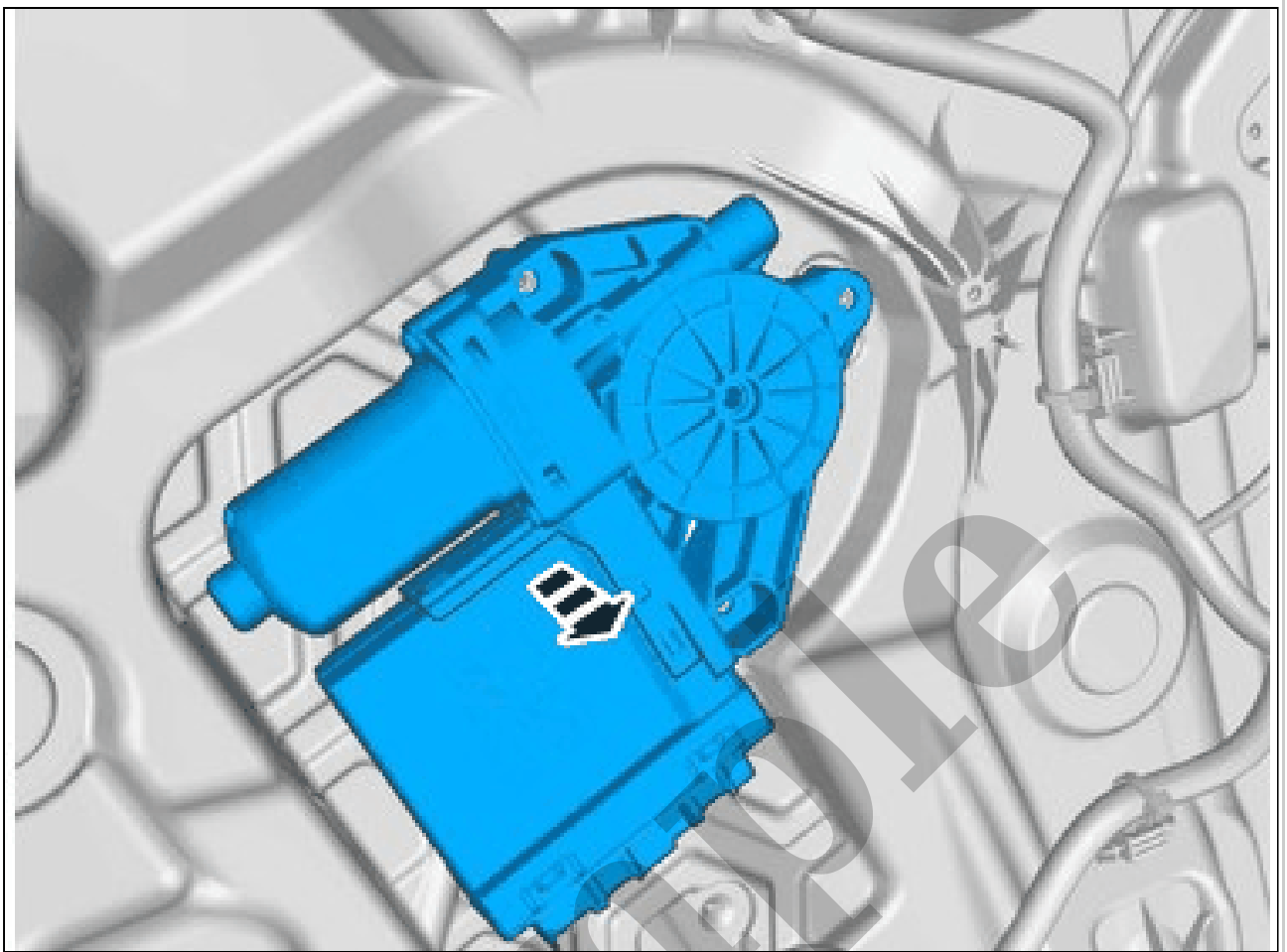
Remove cover charging connection. Refer to: CHARGE CONNECTOR DOOR

Remove left-hand rear wheel arch liner. Refer to: REAR WHEEL ARCH LINER



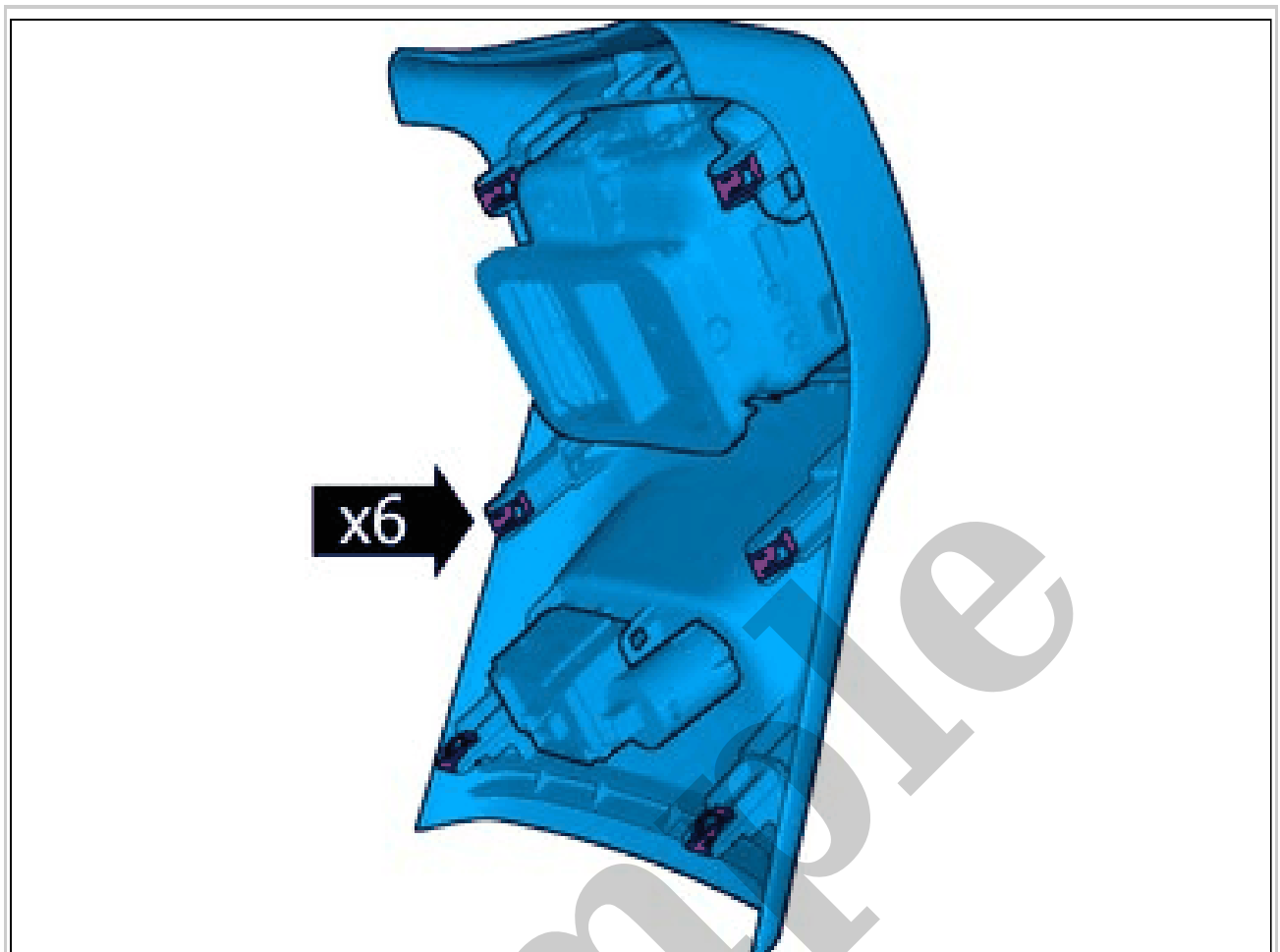
Courtesy of VOLVO CARS CORPORATION

Release the catch.  
Loosen the marked detail.



Courtesy of VOLVO CARS CORPORATION

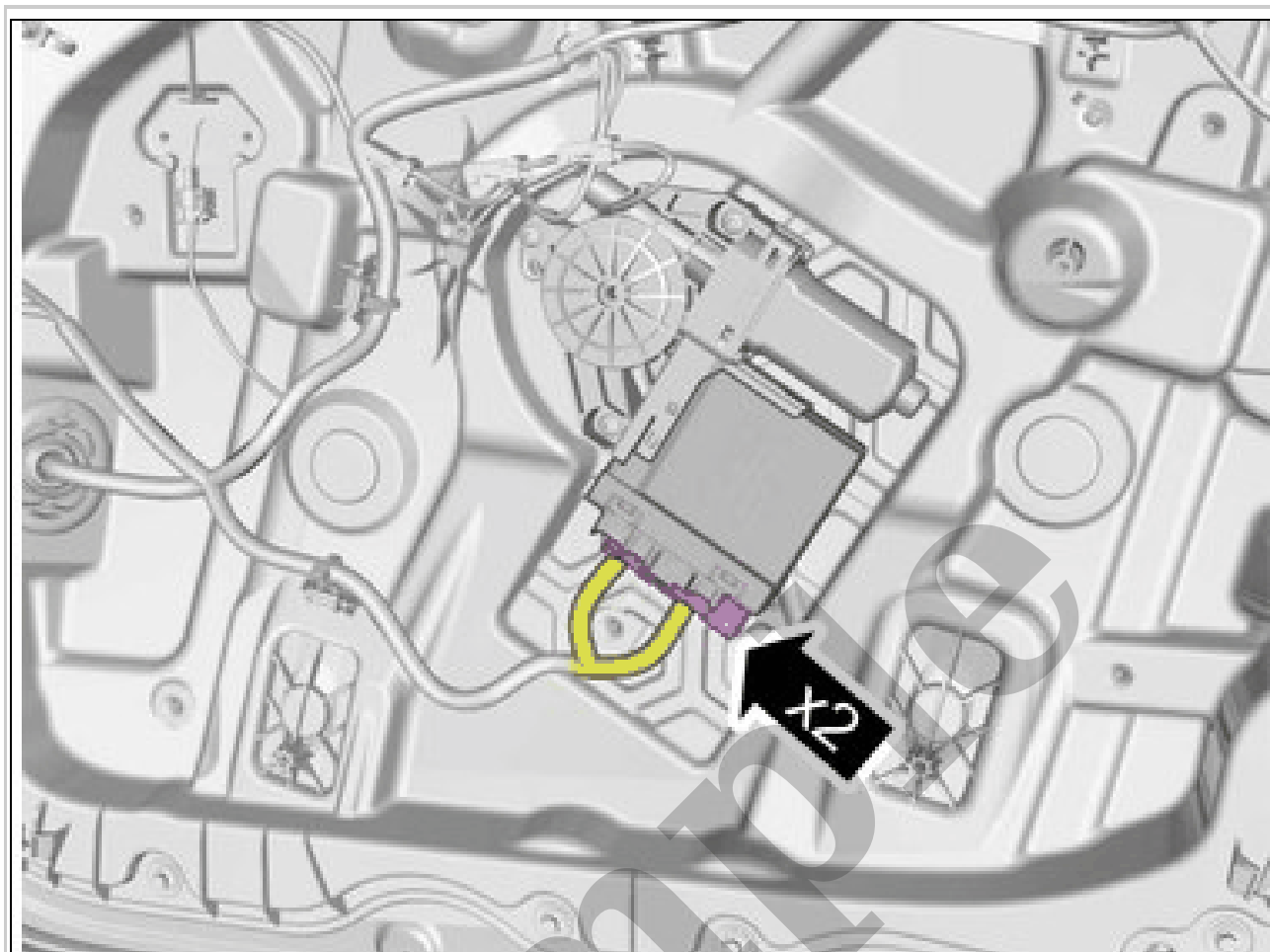
Remove the marked part.



Courtesy of VOLVO CARS CORPORATION

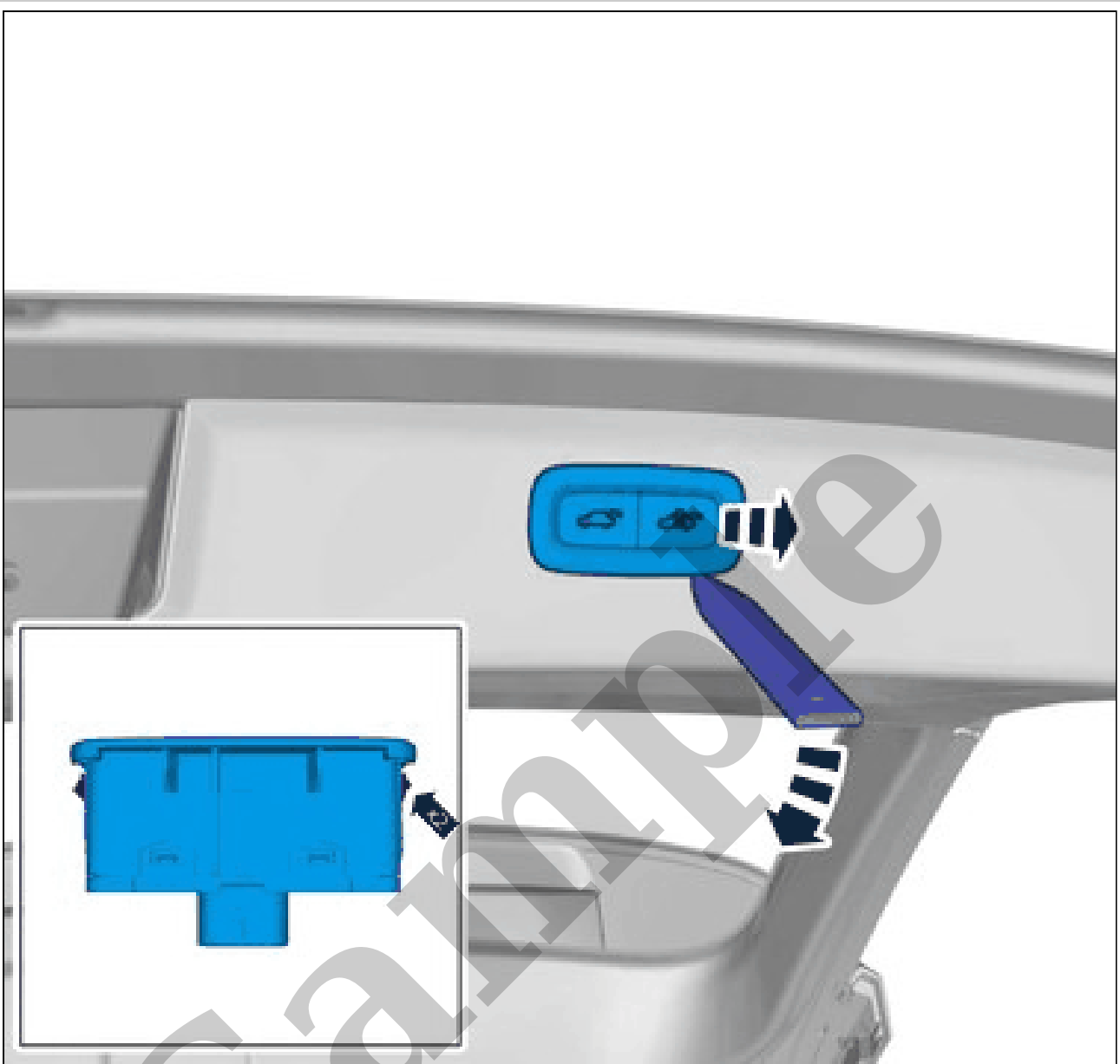
**NOTE:** *The graphic shows the back of the component before removal.*





Courtesy of VOLVO CARS CORPORATION

Release the connector catches.  
Disconnect the connectors.



Courtesy of VOLVO CARS CORPORATION