

# Your Ultimate Source for OEM Repair Manuals

FactoryManuals.net is a great resource for anyone who wants to save money on repairs by doing their own work. The manuals provide detailed instructions and diagrams that make it easy to understand how to fix a vehicle.

## 2013 FORD Focus ST Estate OEM Service and Repair Workshop Manual

[Go to manual page](#)



[Click here to learn about symbols, color coding, and icons used in this manual.](#)

**7. NOTE**

This step is necessary only when installing a new component.

Remove the front seat backrest cover.

1. Invert the front seat backrest cover.

**2. NOTICE**

Use care when separating the front seat backrest cover from the hook-and-loop strips, or the hook-and-loop strips can be torn from the front seat backrest foam.

Release the hook-and-loop strips.

**3. NOTICE**

Use care when separating the front seat backrest cover from the hook-and-arrows, or the hooks can be torn from the front seat backrest foam.

Release the hook-and-arrows.



## Front Seat Backrest Cover - Vehicles Without: Multi-Contour Seats

<b>501-10A Front Seats</b>	<b>2022 F-150</b>
<b>Removal and Installation</b>	<b>Procedure revision date: 07/21/2021</b>

### Front Seat Backrest Cover - Vehicles Without: Multi-Contour Seats

#### Removal

#### WARNING

Front seat backrest trim covers installed on seats equipped with seat side airbags cannot be repaired. A new trim cover must be installed. Cleaning is permissible. Failure to follow these instructions may result in the seat side airbag deploying incorrectly and increase the risk of serious personal injury or death in a crash.

#### NOTE

Removal steps in this procedure may contain installation details.

#### NOTE

Driver seat shown, passenger seat similar.

1. Remove the front seat.

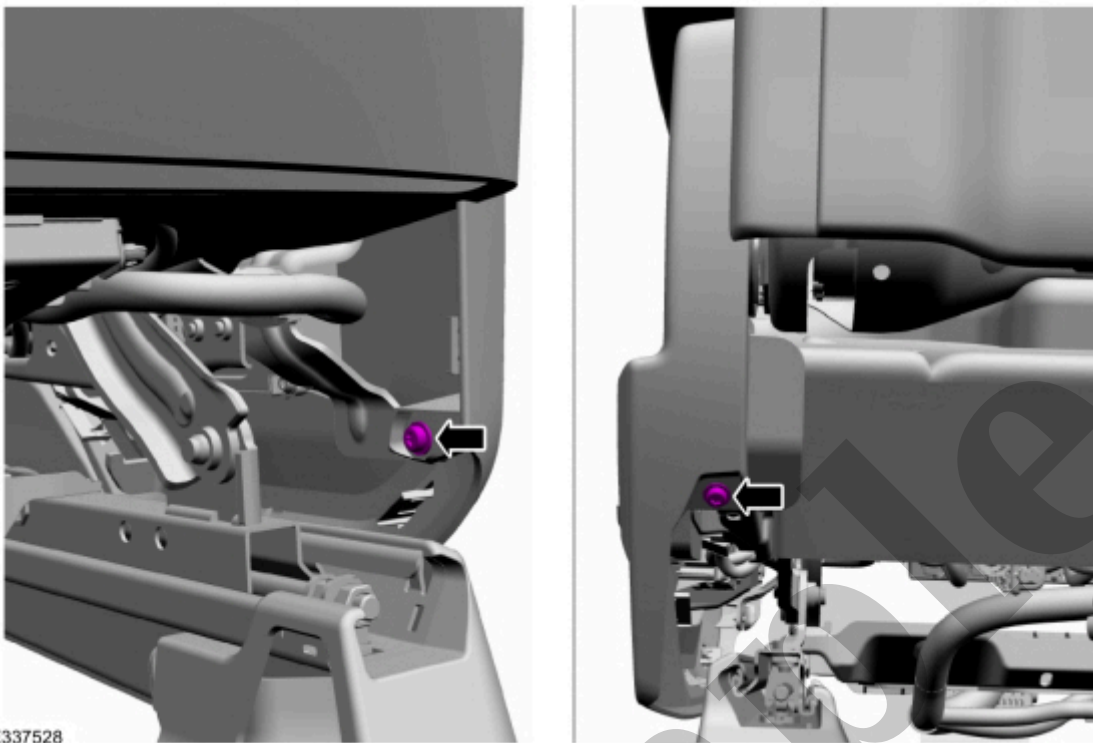
Refer to: [Front Seat](#)(501-10A Front Seats, Removal and Installation).

#### Manual seat with manual lumbar

2. Adjust the front seat manual lumbar to the fully relaxed position.

[Click here to learn about symbols, color coding, and icons used in this manual.](#)

4. Remove the front seat side shield screws.



E337528

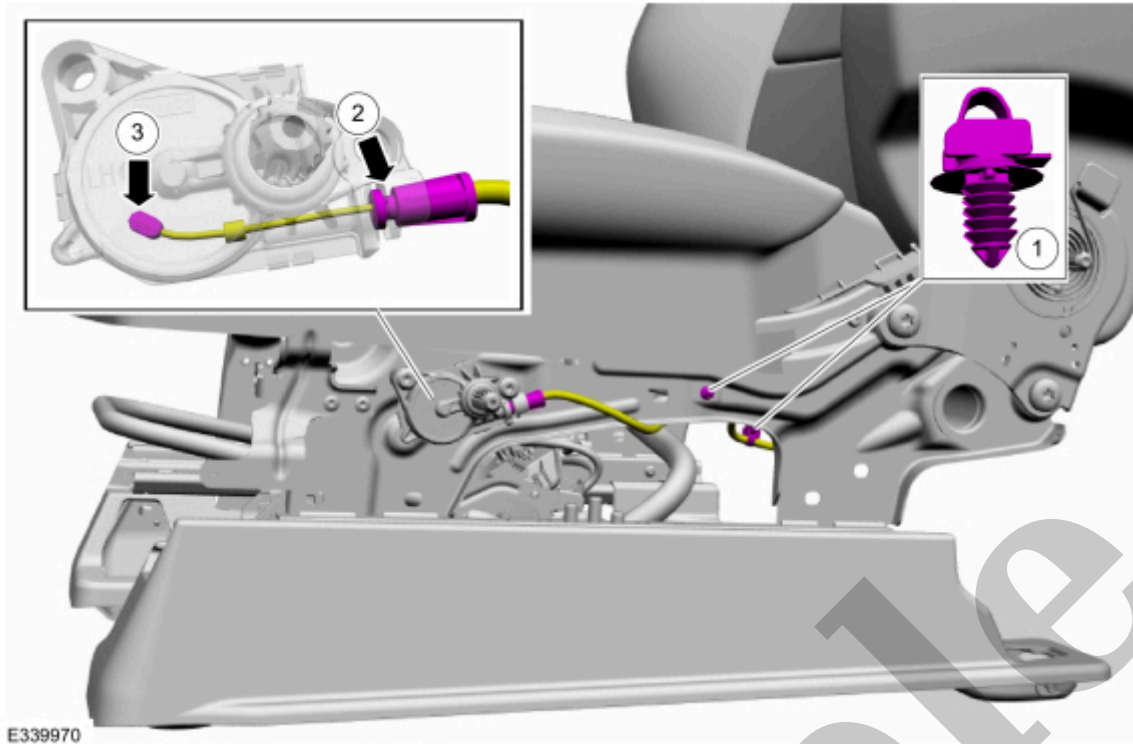
[Click here to learn about symbols, color coding, and icons used in this manual.](#)

5. **NOTE**

Front seat side shield without manual lumbar shown, front seat side shield with manual lumbar similar.

Remove the front seat side shield.

1. Firmly grasp the front seat side shield, lift up and out, separating the front seat side shield from the recliner bracket.
2. From underneath, squeeze the retainers together and pull out on the front seat side shield.
3. If equipped with manual adjusting lumbar.  
Pull the front seat side shield over the front seat manual lumbar adjuster.
4. Slide the front seat side shield forward.



[Click here to learn about symbols, color coding, and icons used in this manual.](#)

#### All seats

7. Remove the side airbag.

Refer to: [Side Airbag](#)(501-20B Supplemental Restraint System, Removal and Installation).

8. Remove the front head restraint guide sleeves.

Refer to: [Front Head Restraint Guide Sleeve](#)(501-10A Front Seats, Removal and Installation).

9. If equipped.

Remove the front seat backrest blower motor.

Refer to: [Front Seat Backrest Blower Motor](#)(501-10A Front Seats, Removal and Installation).

10. Detach the front seat backrest cover upper J-clip.

[Click here to learn about symbols, color coding, and icons used in this manual.](#)

12. Remove the front seat backrest cover and foam as an assembly.



[Click here to learn about symbols, color coding, and icons used in this manual.](#)

13. **NOTE**

Base front seat shown, all others similar.

**NOTE**

This step is necessary only when installing a new component.

Base seat.

Remove the front seat backrest cover.

1. Invert the front seat backrest cover.

2. **NOTICE**

Use care when separating the front seat backrest cover from the hook-and-loop strips, or the

Use care when separating the front seat backrest cover from the hook-and-arrows, or the hooks can be torn from the front seat backrest foam.

Release the hook-and-arrows.

### 3. NOTICE

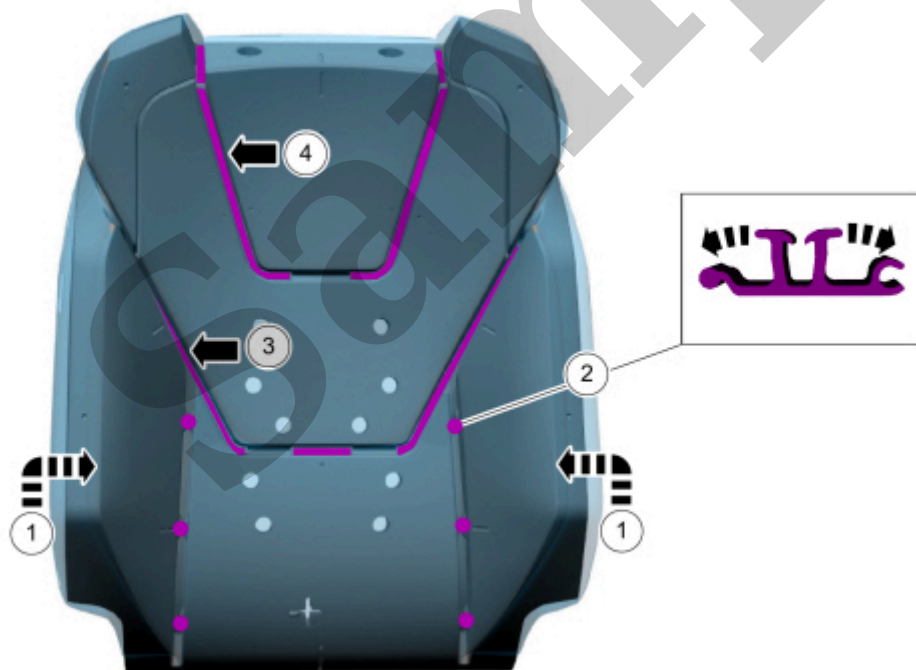
Use care when separating the front seat backrest cover from the hook-and-loop strips, or the hook-and-loop strips can be torn from the front seat backrest foam.

Release the hook-and-loop strips.

### 4. NOTICE

Use care when separating the front seat backrest cover from the hook-and-loop strips, or the hook-and-loop strips can be torn from the front seat backrest foam.

Release the hook-and-loop strips.



E362142

[Click here to learn about symbols, color coding, and icons used in this manual.](#)

**Seat with police package**



E273681

[Click here to learn about symbols, color coding, and icons used in this manual.](#)

## Installation

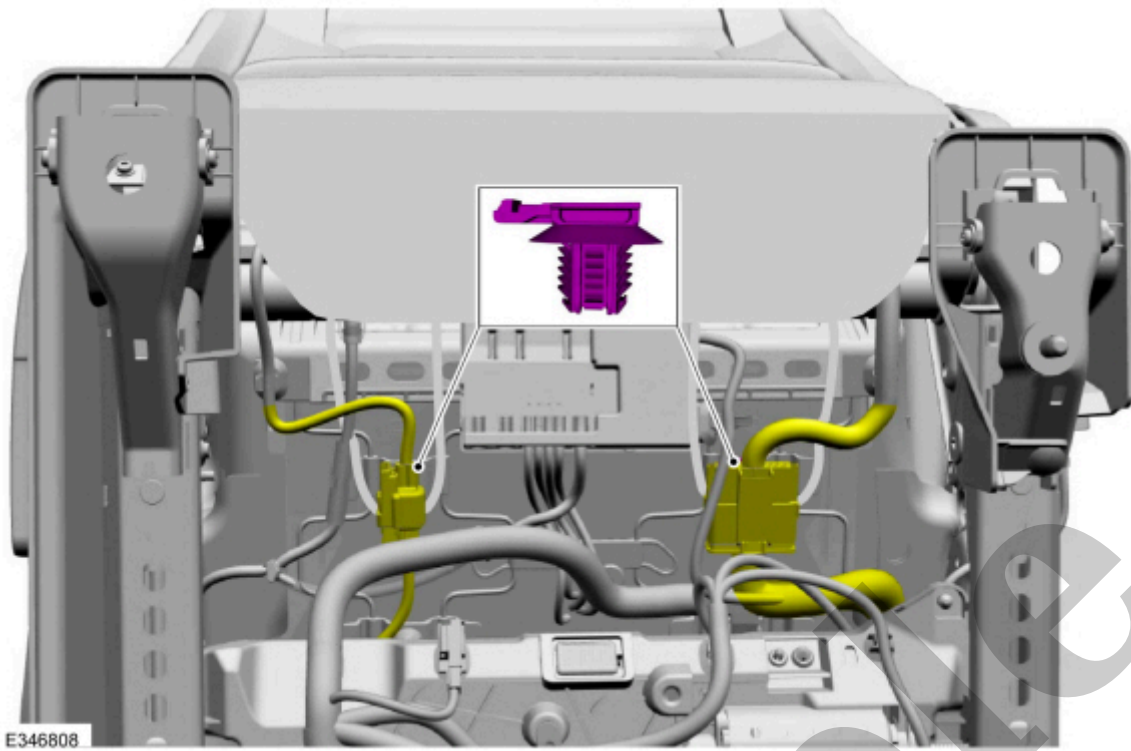
### 1. **WARNING**

Inspect the seat side airbag, airbag cavity, mounting surface and deployment chute for damage or the presence of foreign material. Remove all foreign material. Install a new side airbag if it is damaged. Install a new deployment chute if the deployment chute is damaged. Failure to follow these instructions may result in the seat side airbag deploying incorrectly and increase the risk of serious personal injury or death in a crash.

To install, reverse the removal procedure.

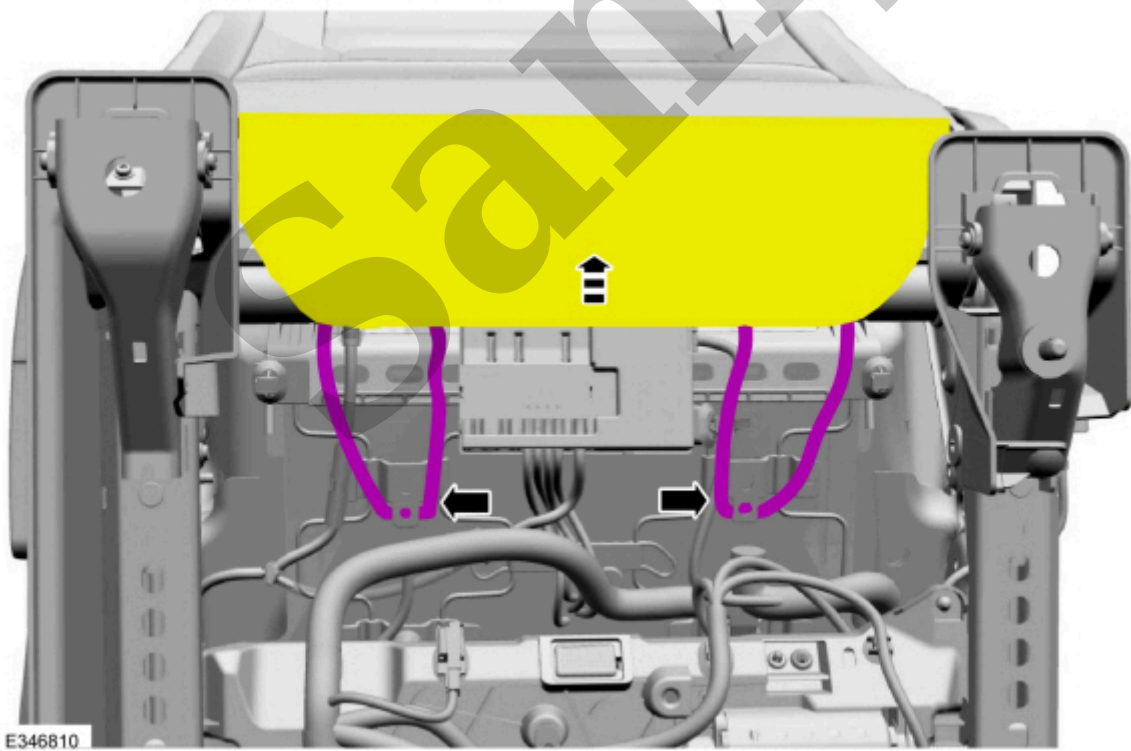
Copyright © Ford Motor Company



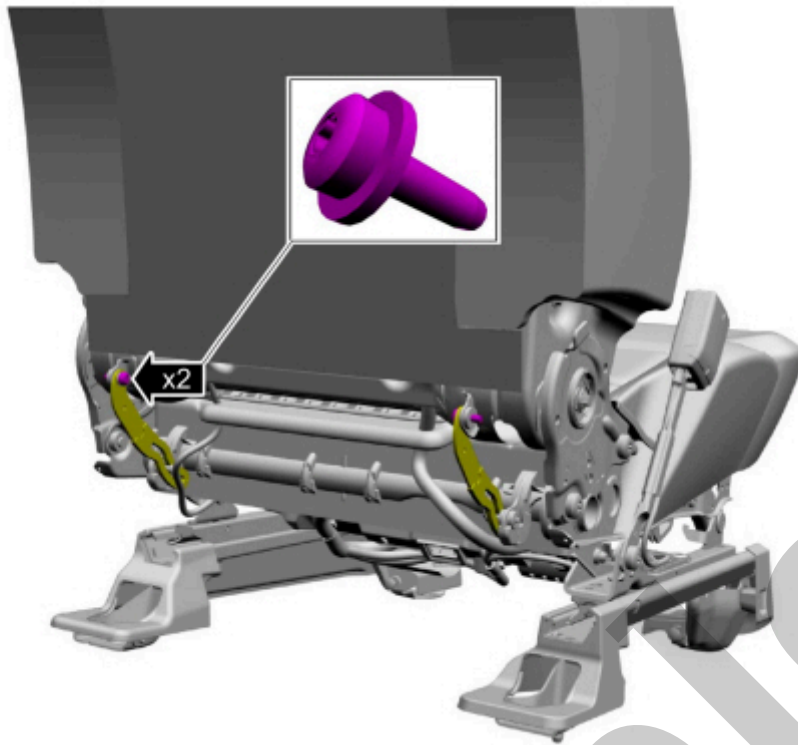


[Click here to learn about symbols, color coding, and icons used in this manual.](#)

3. Detach the front seat backrest cover straps and position the front seat backrest cover aside.



[Click here to learn about symbols, color coding, and icons used in this manual.](#)



E392305

[Click here to learn about symbols, color coding, and icons used in this manual.](#)

6. Detach the front seat backrest cover lower J-clip.



E339968

[Click here to learn about symbols, color coding, and icons used in this manual.](#)