

# Your Ultimate Source for OEM Repair Manuals

FactoryManuals.net is a great resource for anyone who wants to save money on repairs by doing their own work. The manuals provide detailed instructions and diagrams that make it easy to understand how to fix a vehicle.

## 2012 VOLVO V40 Cross Country OEM Service and Repair Workshop Manual

[Go to manual page](#)

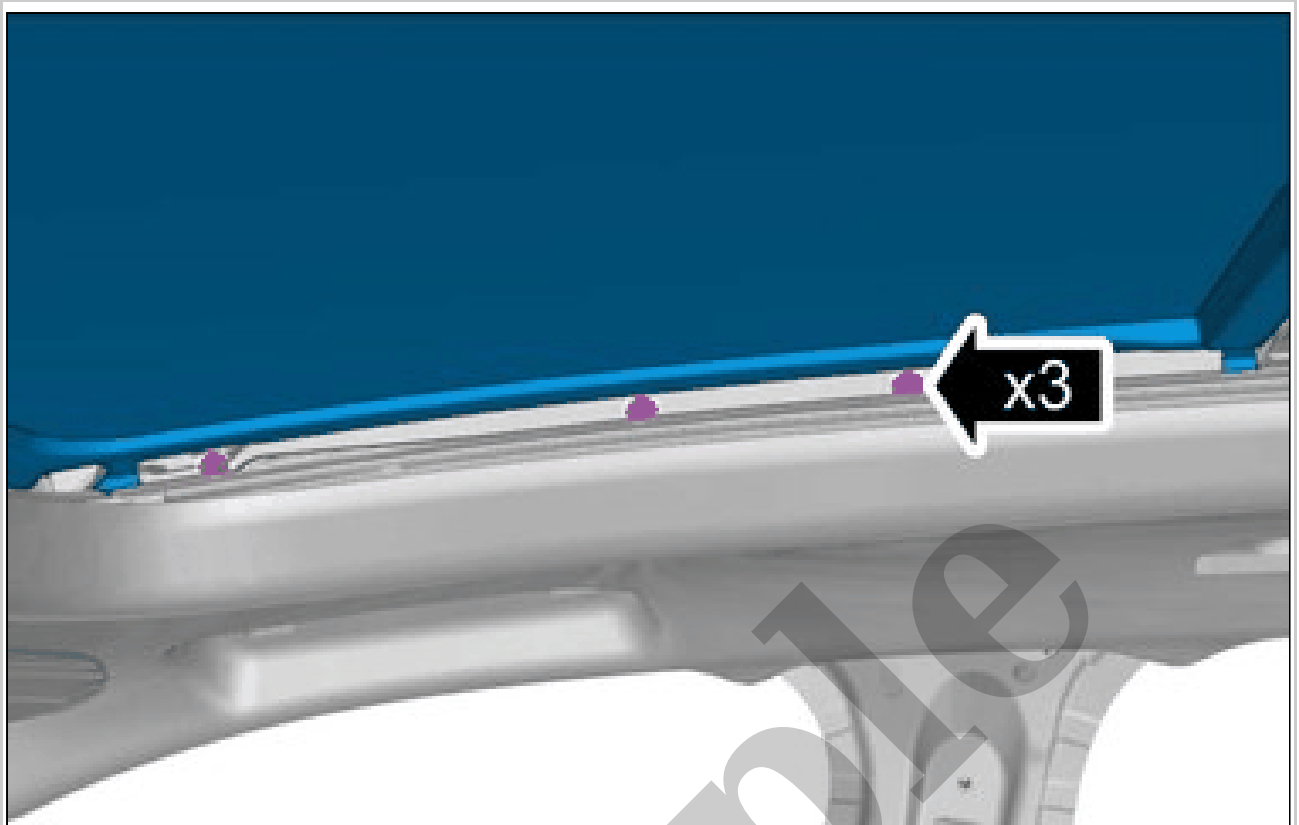


Courtesy of VOLVO CARS CORPORATION

## EXTENDED ROOF OPENING PANEL CASSETTE > EXTENDED ROOF OPENING PANEL CASSETTE [2018-2022] > REMOVAL

**NOTE:** *Removal steps in this procedure may contain installation details.*

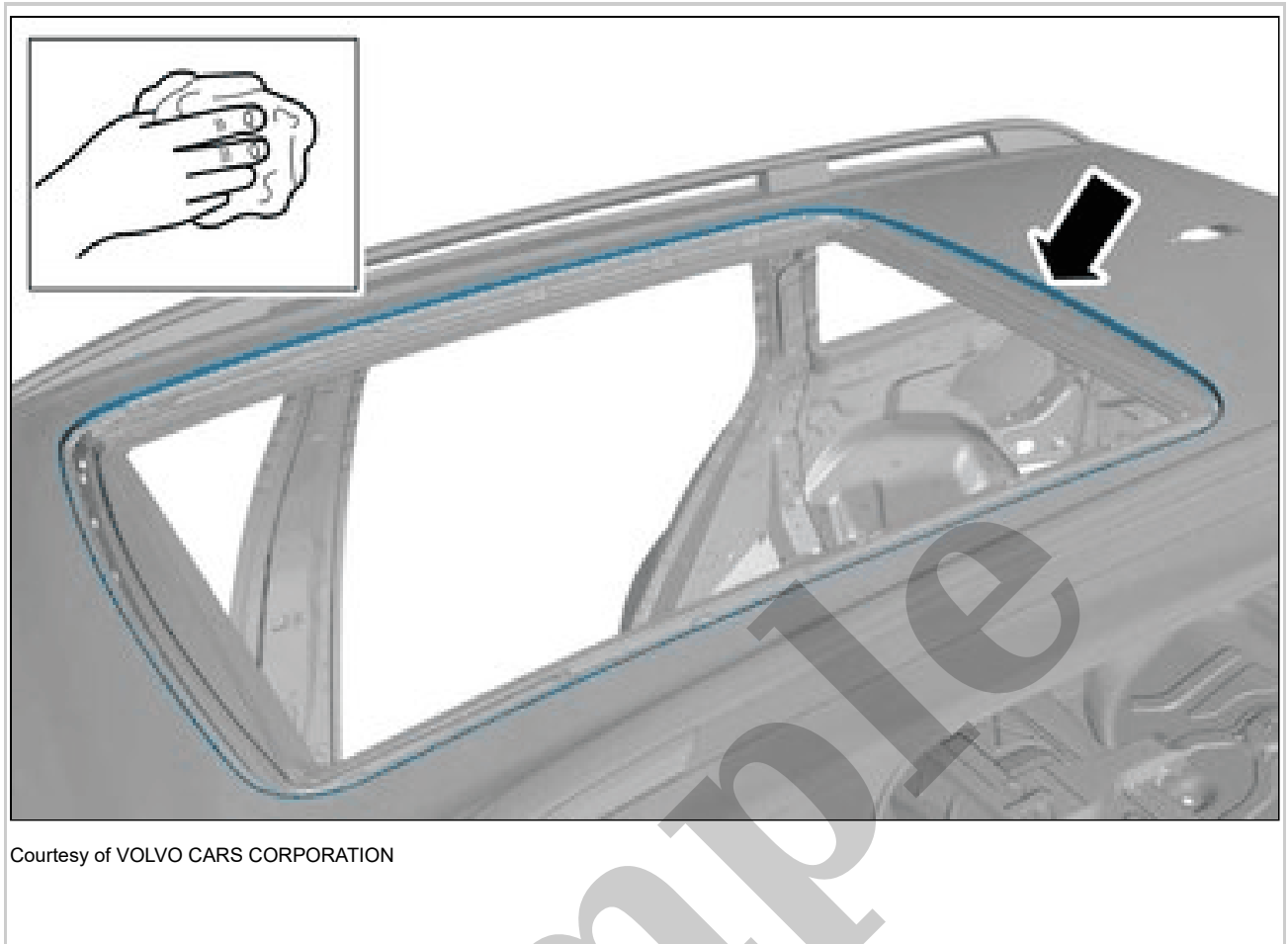
Remove the headlining. Refer to: HEADLINING



Courtesy of VOLVO CARS CORPORATION

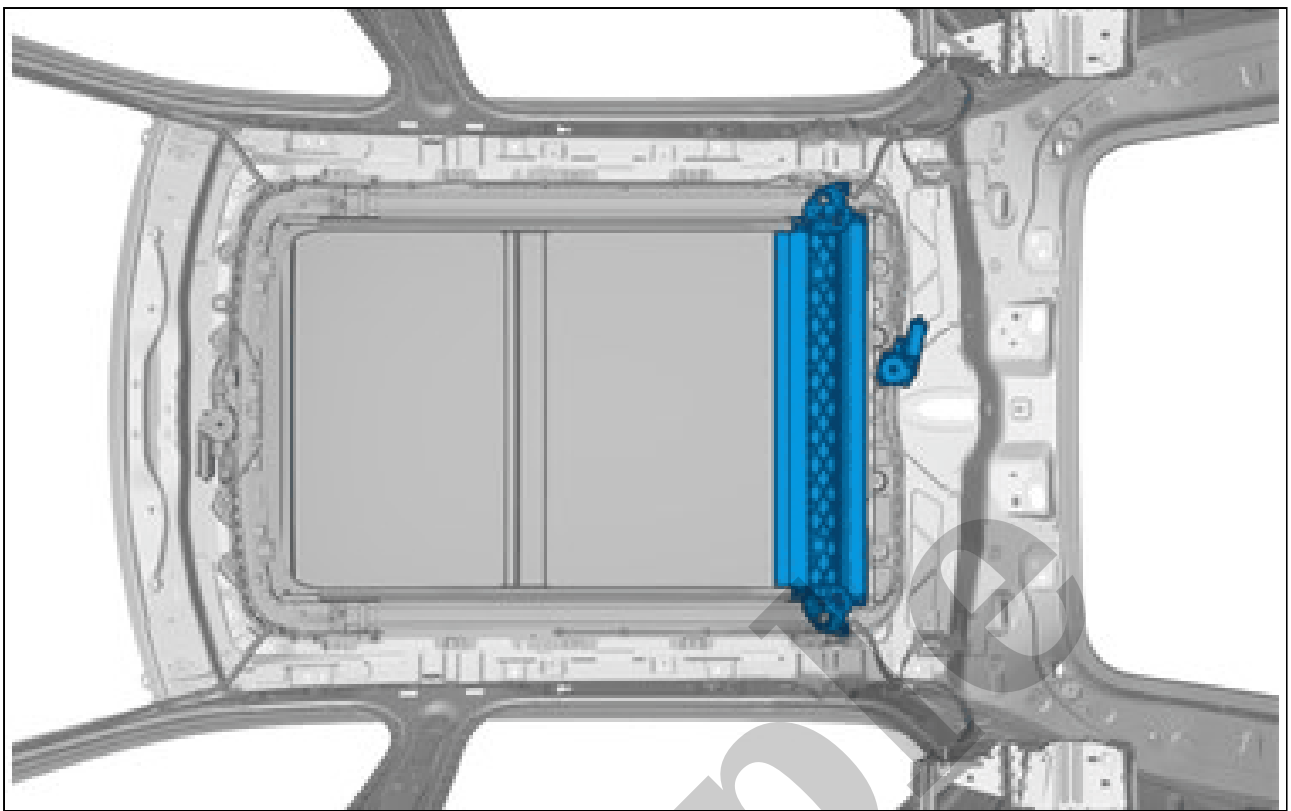
On both sides.

Sample



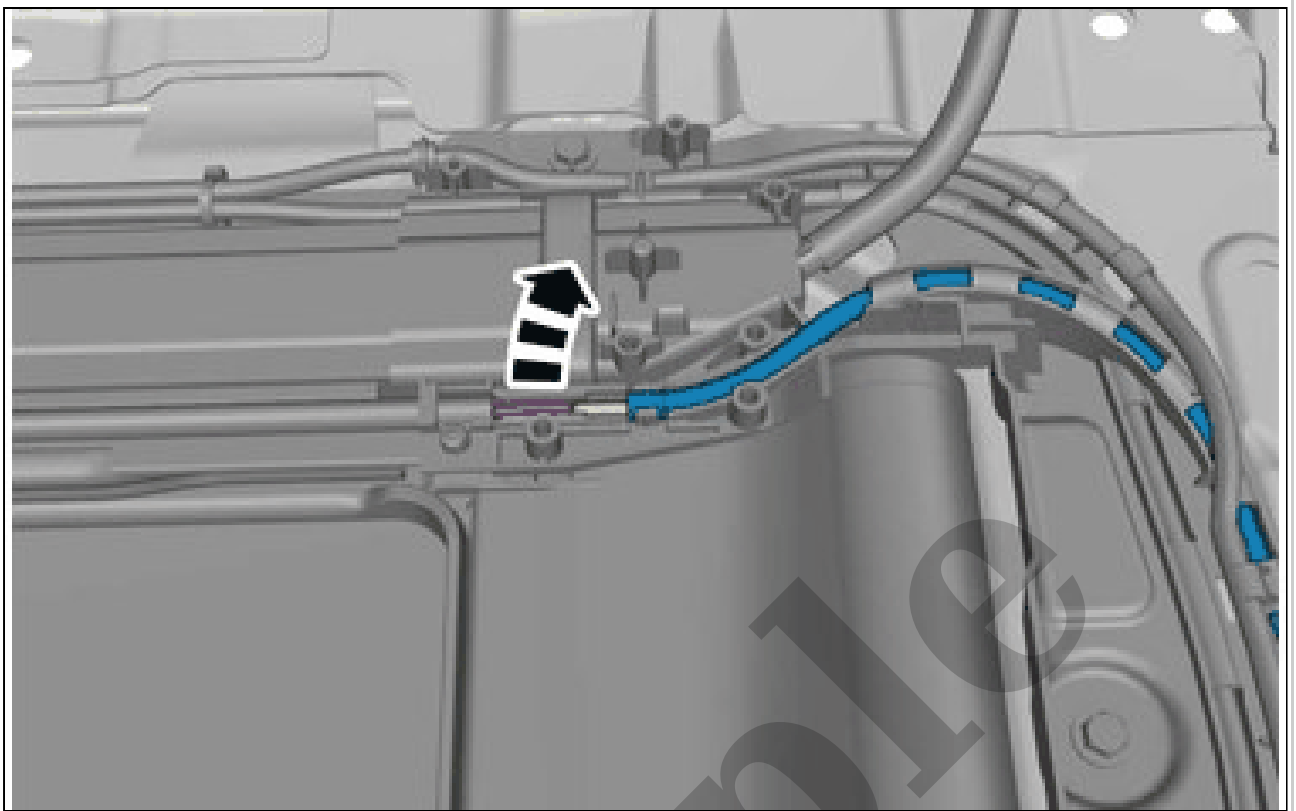
Courtesy of VOLVO CARS CORPORATION

**Use:** Cleaning agent, 1161721



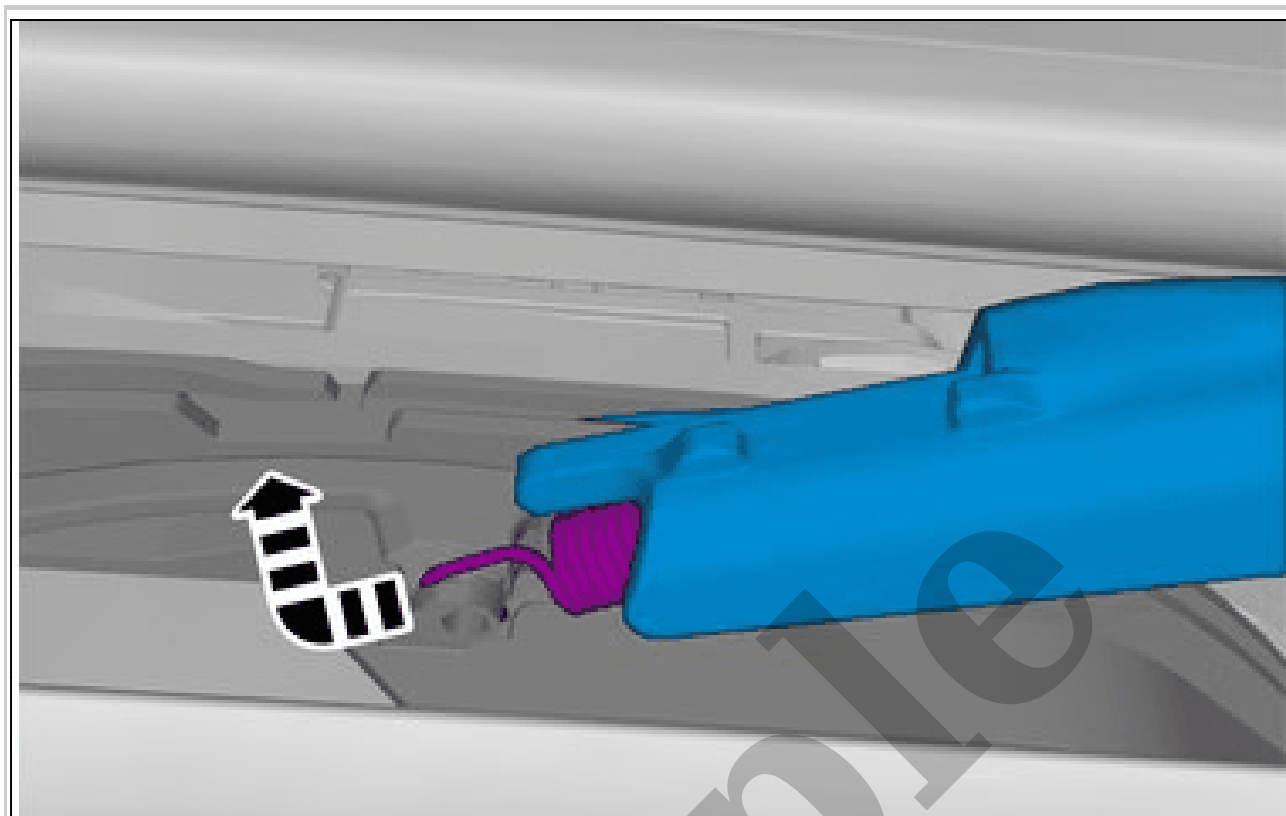
Courtesy of VOLVO CARS CORPORATION

**NOTE:** *Orientation view*



Courtesy of VOLVO CARS CORPORATION

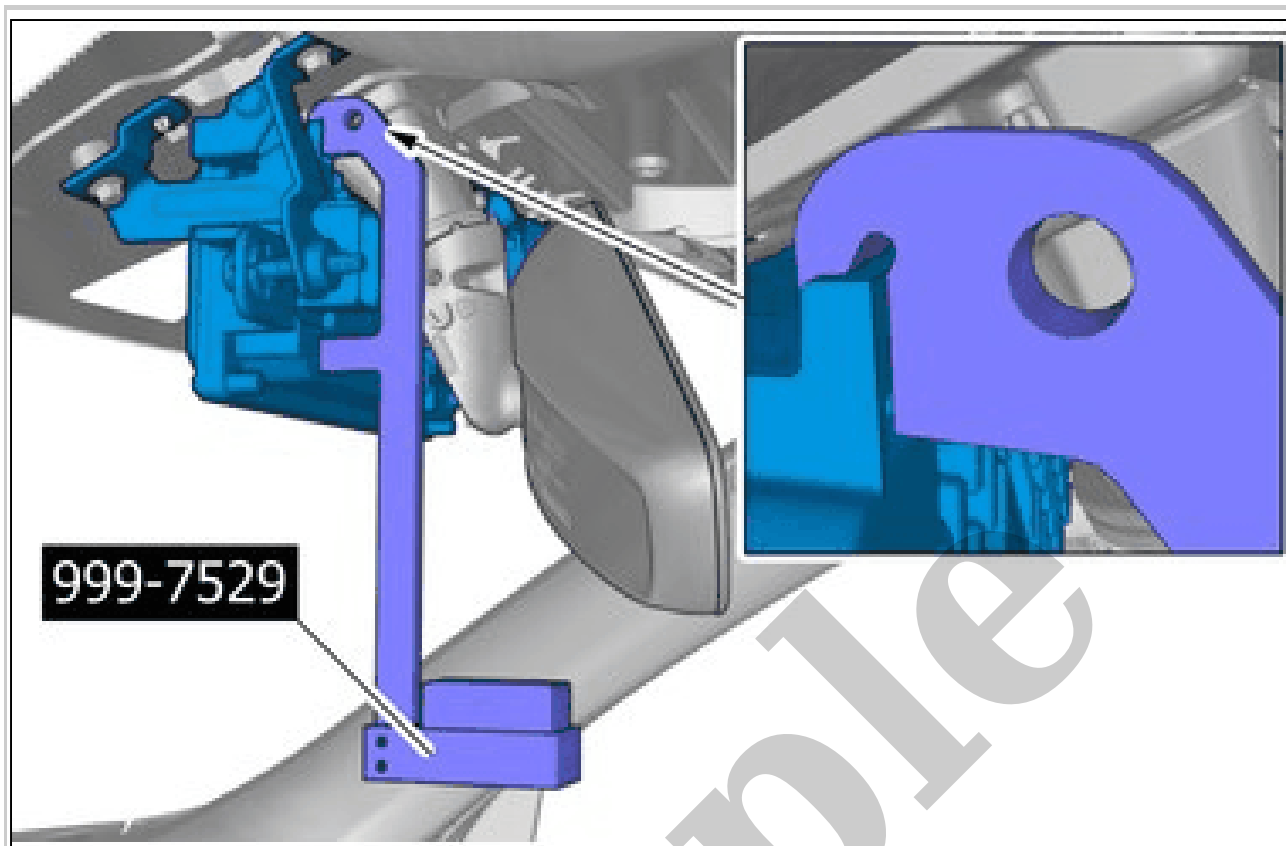
On both sides.



Courtesy of VOLVO CARS CORPORATION

## **WIND DEFLECTOR SUNROOF > WIND DEFLECTOR SUNROOF [2018-2022] > INSTALLATION**

To install, reverse the removal procedure.

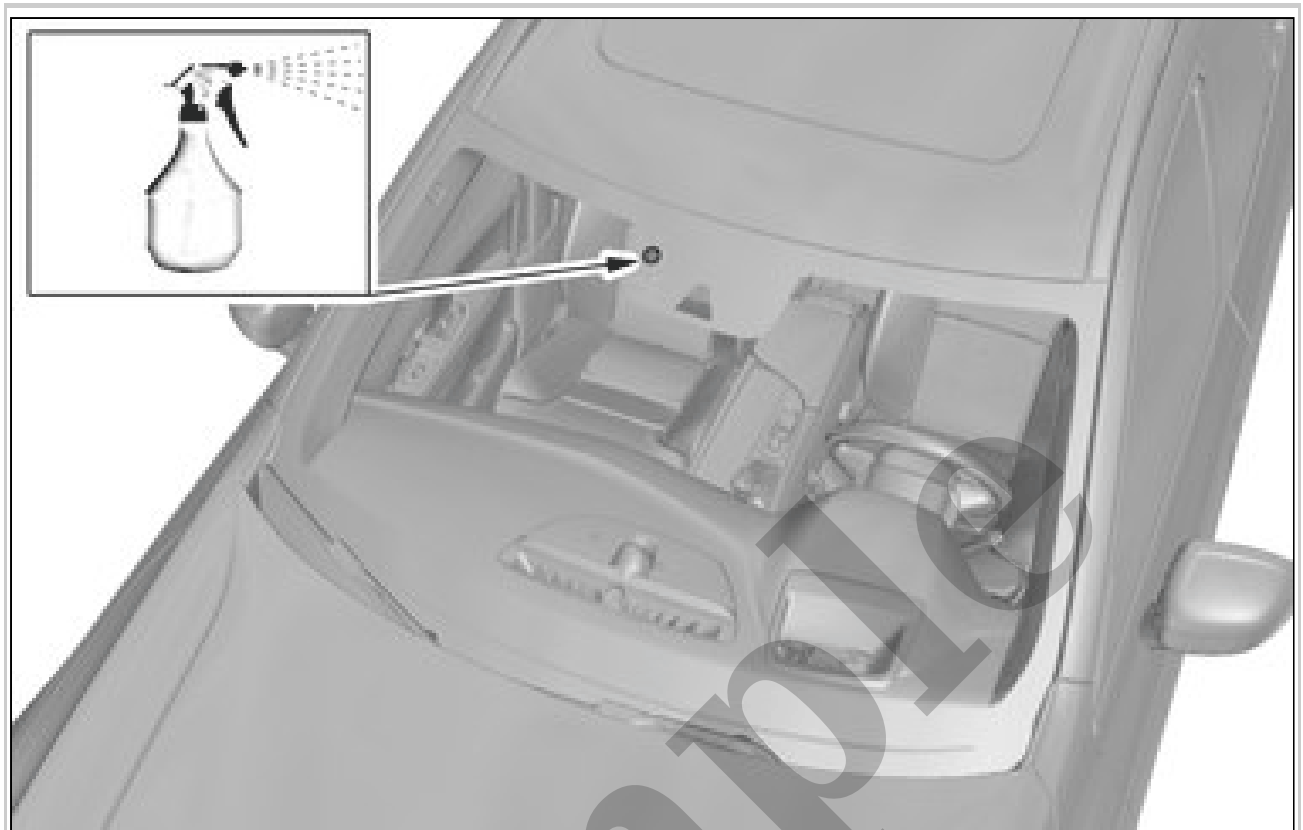


Courtesy of VOLVO CARS CORPORATION

Special Tool: 999 7529 Position adjuster



Set the vehicle to Active mode, described in user mode. Refer to: USAGE MODE  
Activate the rain sensor function.



Courtesy of VOLVO CARS CORPORATION

**Use:** Water,



Courtesy of VOLVO CARS CORPORATION

Remove the marked part.