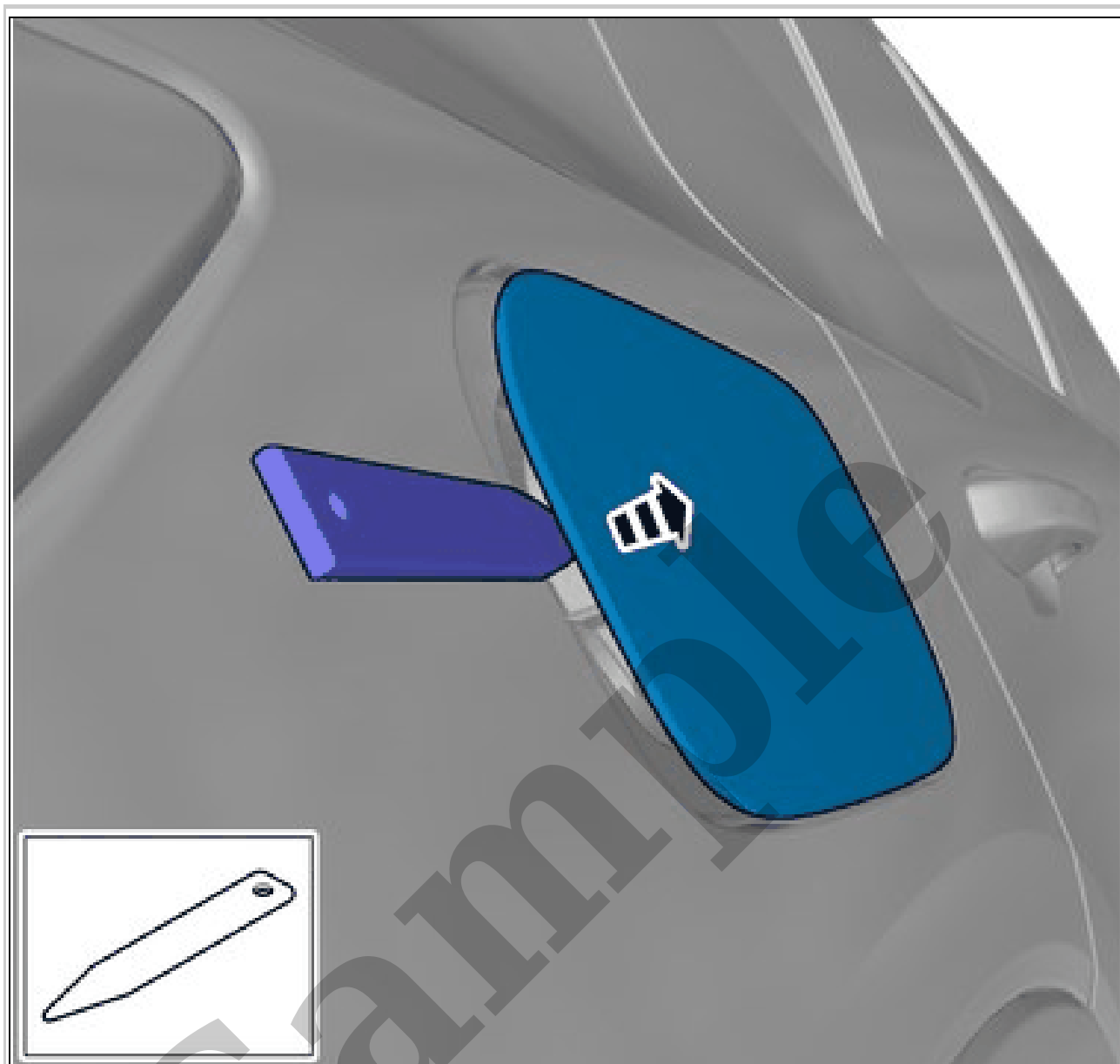


# Your Ultimate Source for OEM Repair Manuals

FactoryManuals.net is a great resource for anyone who wants to save money on repairs by doing their own work. The manuals provide detailed instructions and diagrams that make it easy to understand how to fix a vehicle.

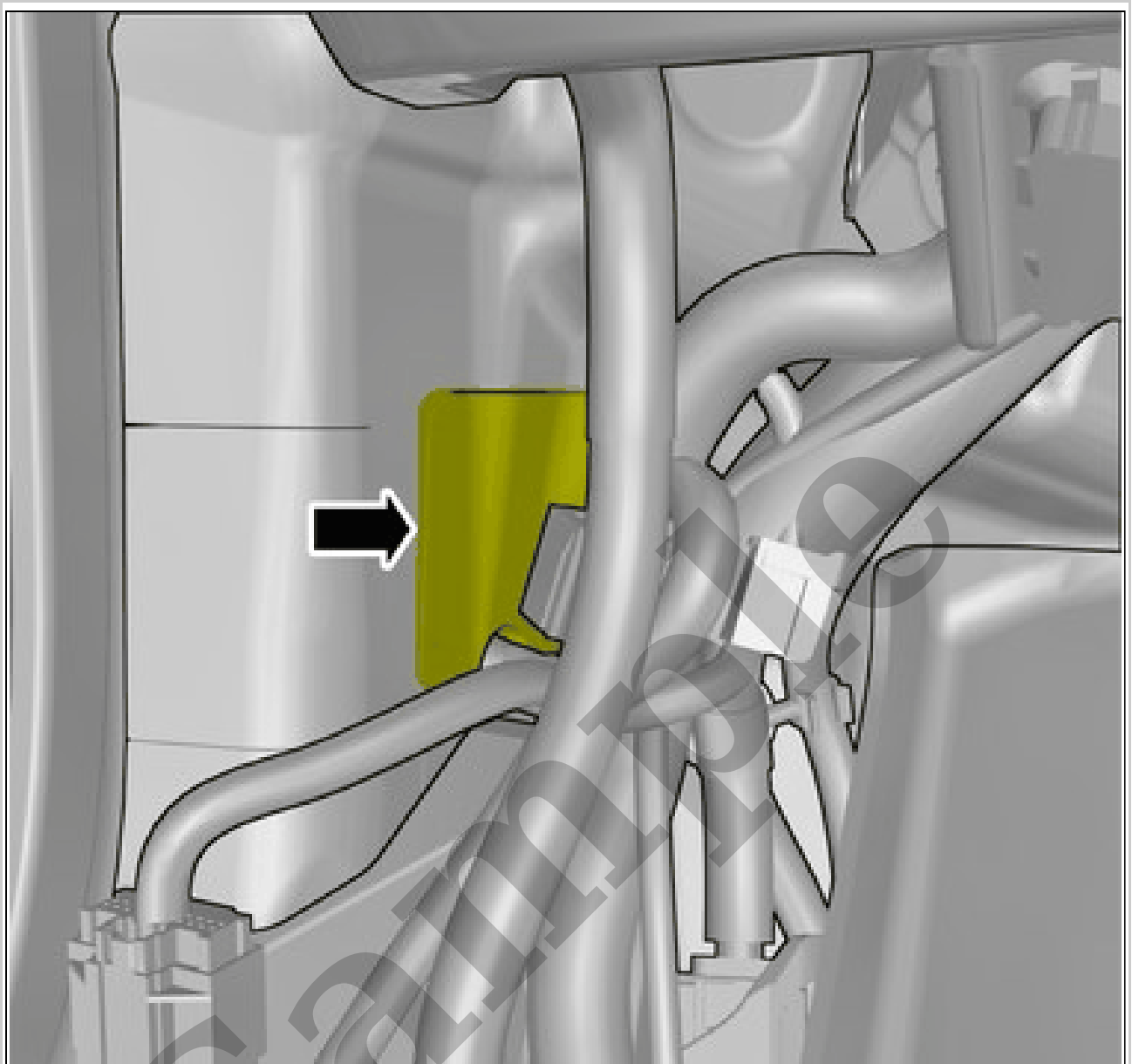
## 2012 VOLVO C30 OEM Service and Repair Workshop Manual

[Go to manual page](#)



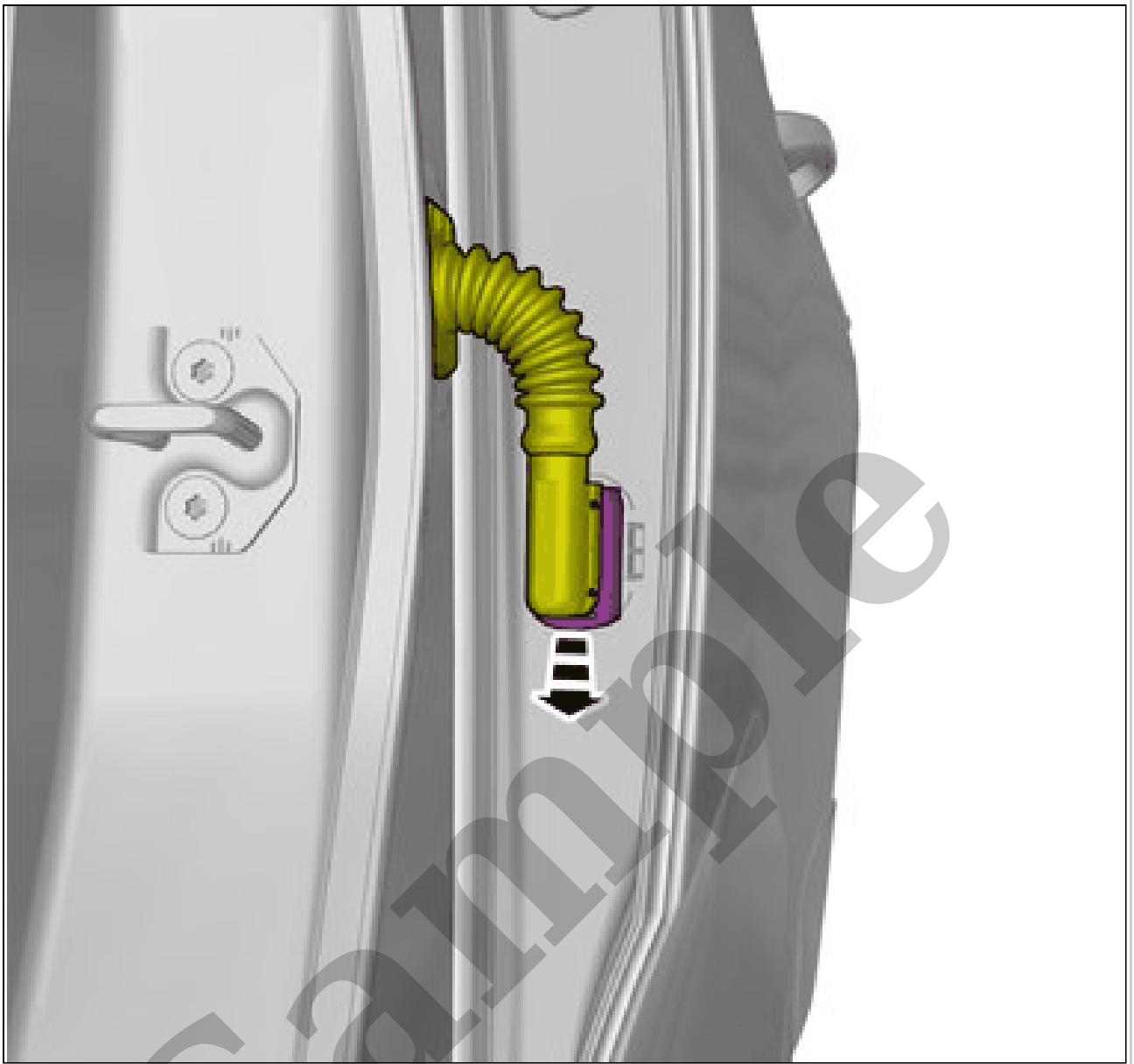
Courtesy of VOLVO CARS CORPORATION

**Use:** Interior trim remover



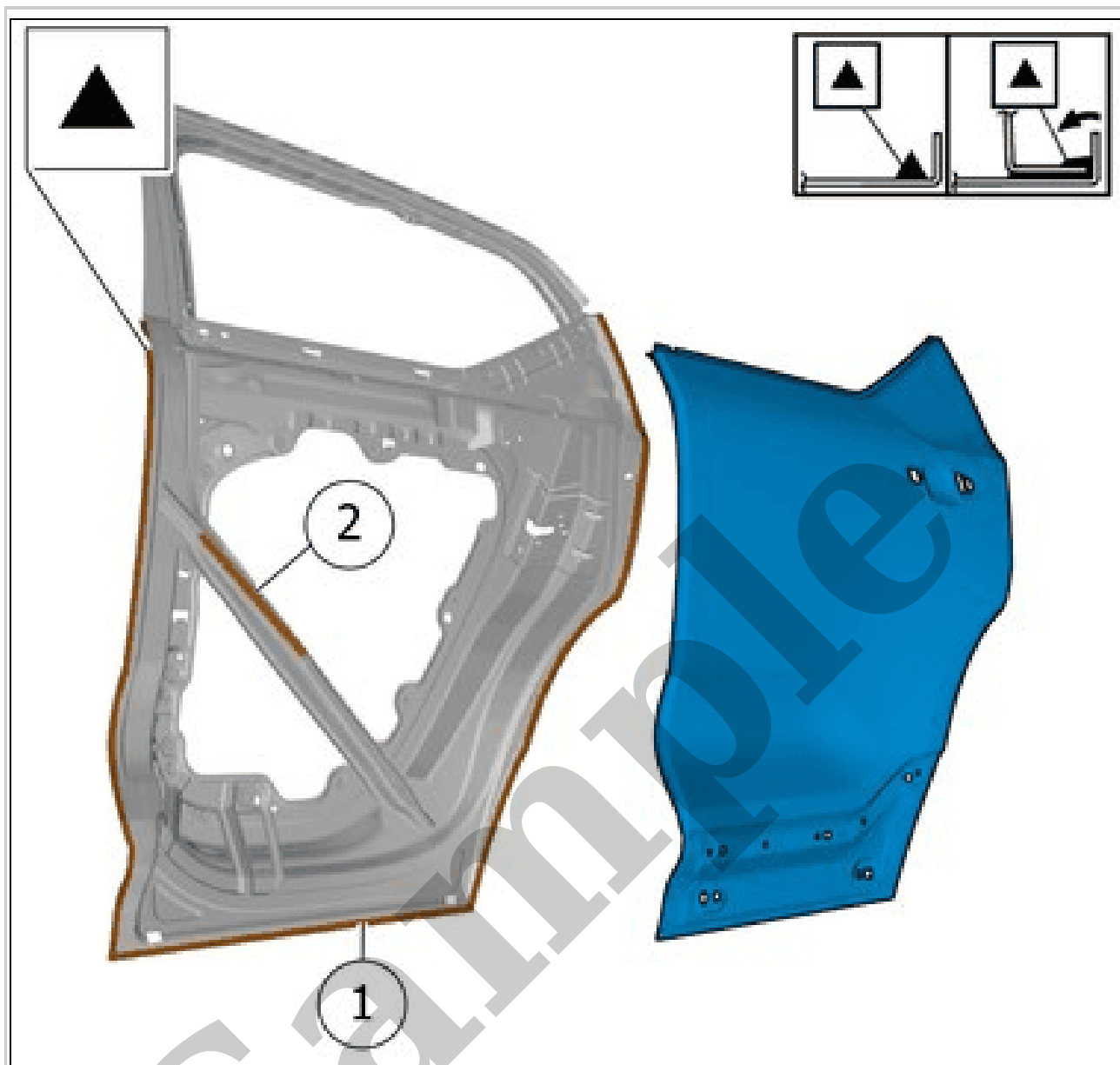
Courtesy of VOLVO CARS CORPORATION

Fold the insulation aside.



Courtesy of VOLVO CARS CORPORATION

Disconnect the connector.



Courtesy of VOLVO CARS CORPORATION

1. **Use:** Bodywork adhesive, 30764637

2. **Use:** Sealing compound, 1161767

See information about paint. Refer to: PAINT

See information about corrosion protection. Refer to: RUSTPROOFING

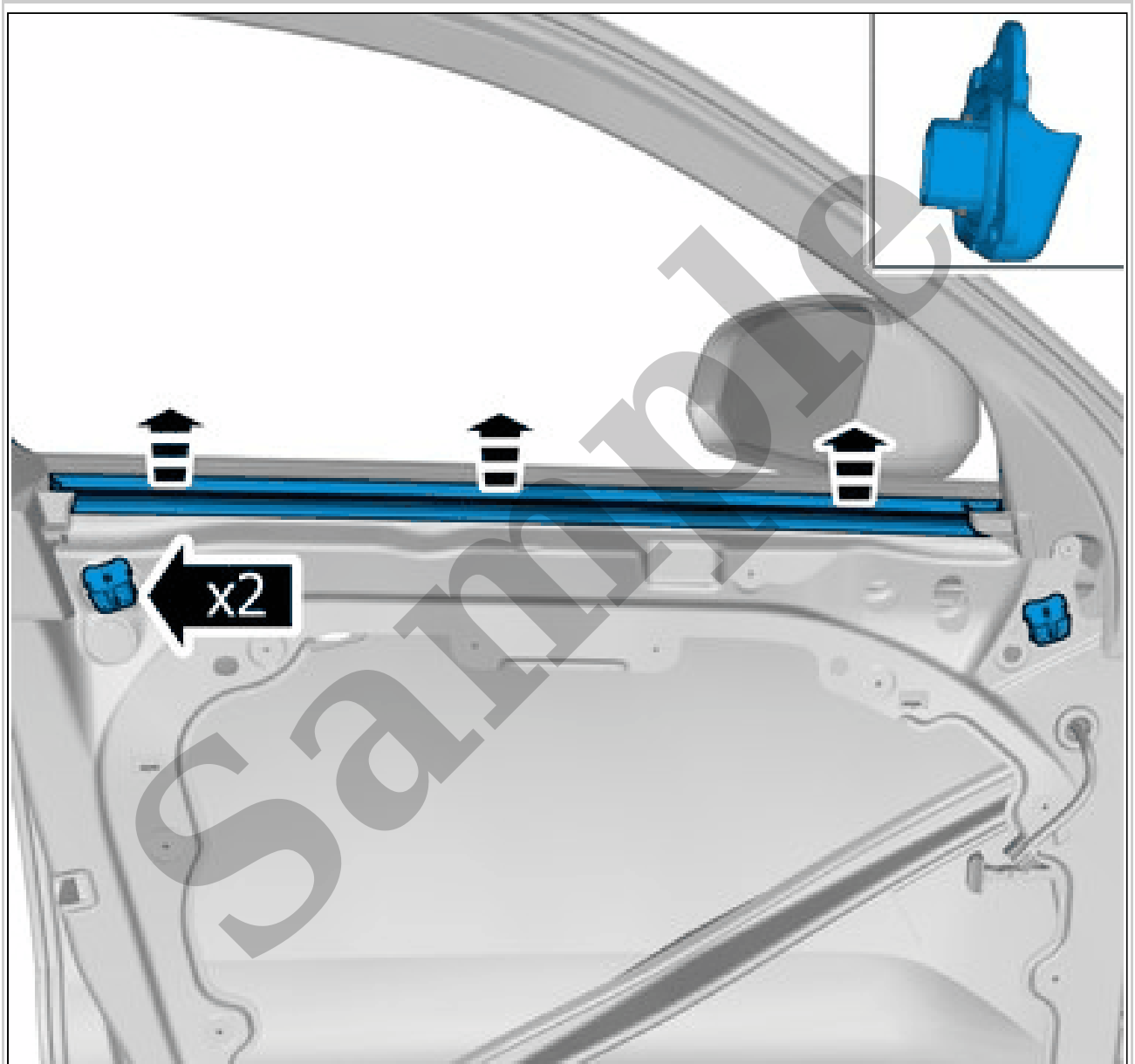
## DOOR PANEL > DOOR PANEL [2018-2022] > INSTALLATION

To install, reverse the removal procedure.

## DOORSTOP, DOOR REAR > DOORSTOP, DOOR REAR [2018-2022] > REMOVAL

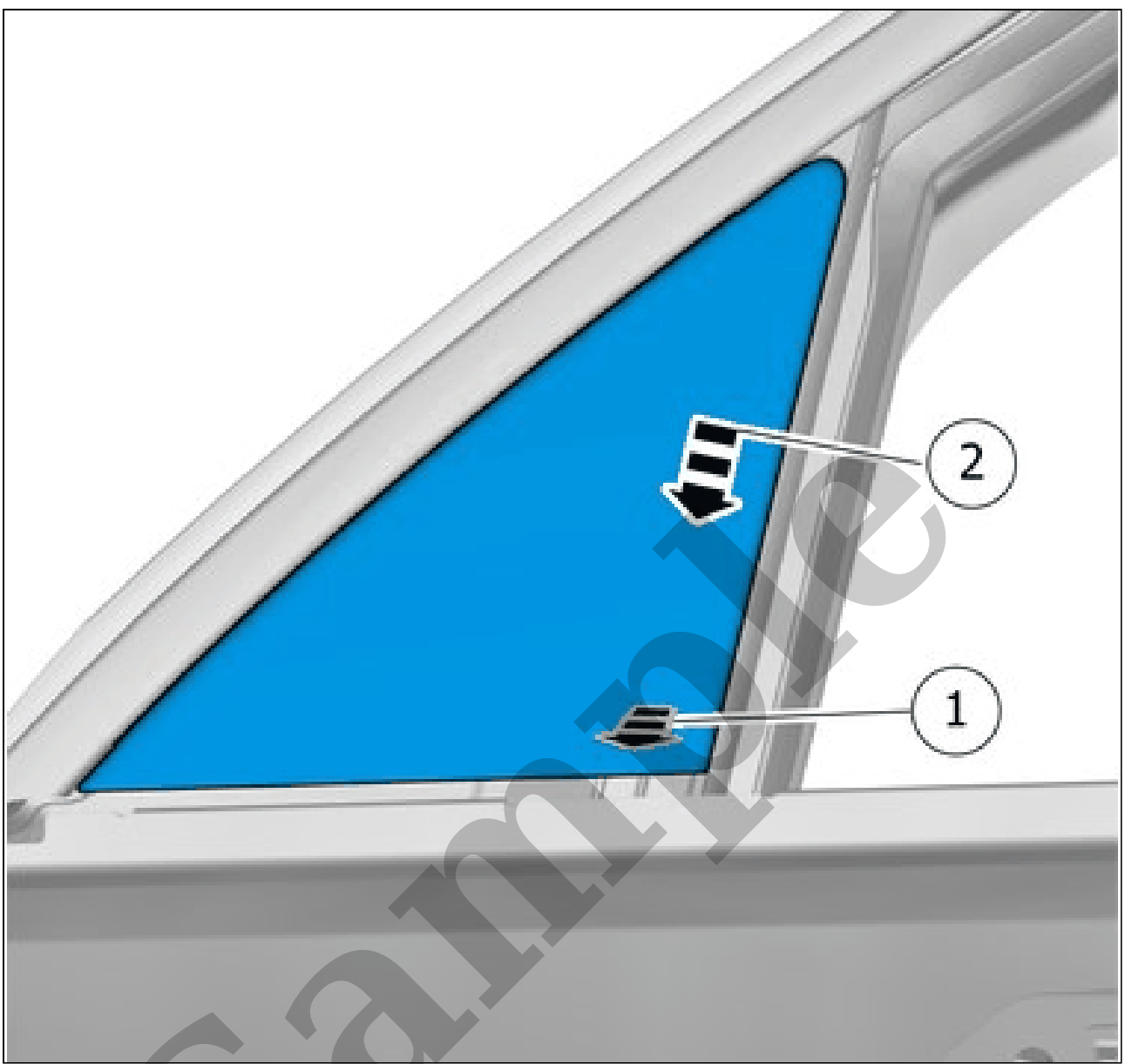
**NOTE:** Removal steps in this procedure may contain installation details.

Remove power window lift mechanism side door front. Refer to: LIFT MECHANISM, FRONT DOOR  
Remove window side door front. Refer to: WINDOW, FRONT DOOR.  
Remove trim strip lower, side door front. Refer to: LOWER TRIM STRIP, FRONT DOOR



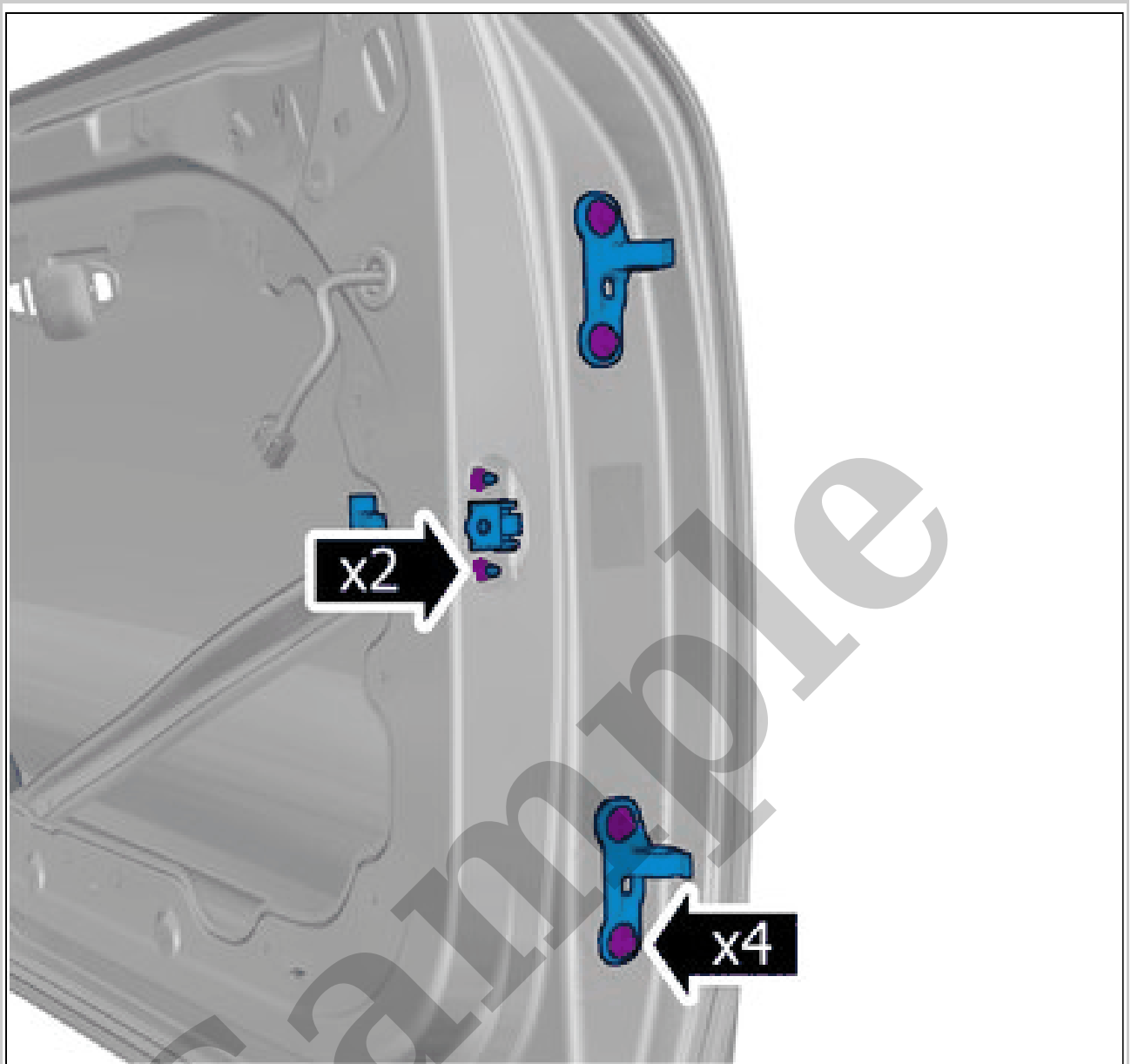
Courtesy of VOLVO CARS CORPORATION

Remove the marked part.



Courtesy of VOLVO CARS CORPORATION

Remove the marked part.



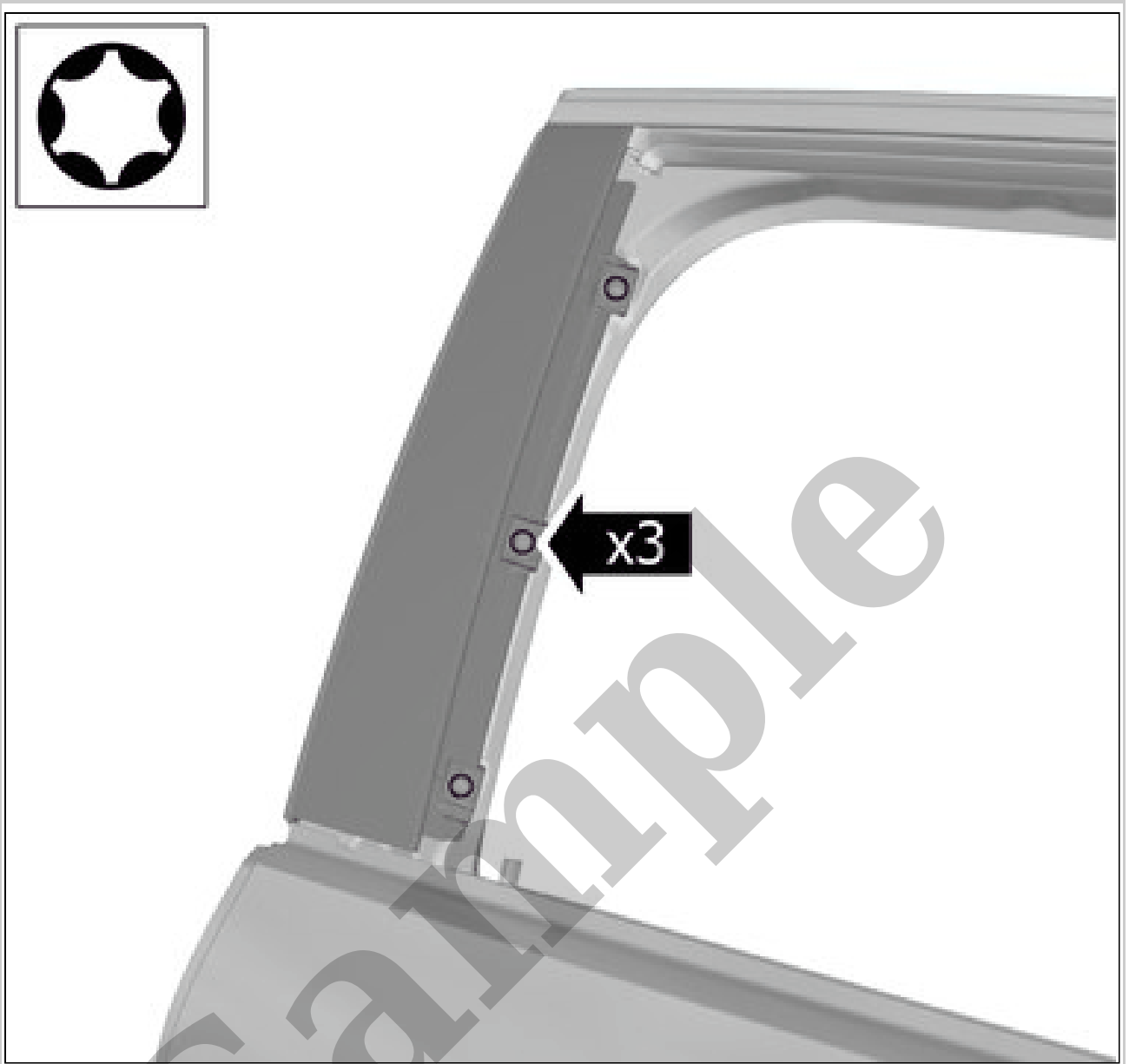
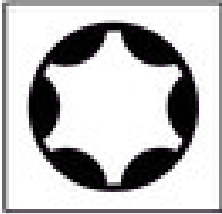
Courtesy of VOLVO CARS CORPORATION

Remove the screws.  
Remove the nuts.  
Remove the marked part.

1. **Torque:** M6, 10Nm
2. **Torque:** M8, 24Nm

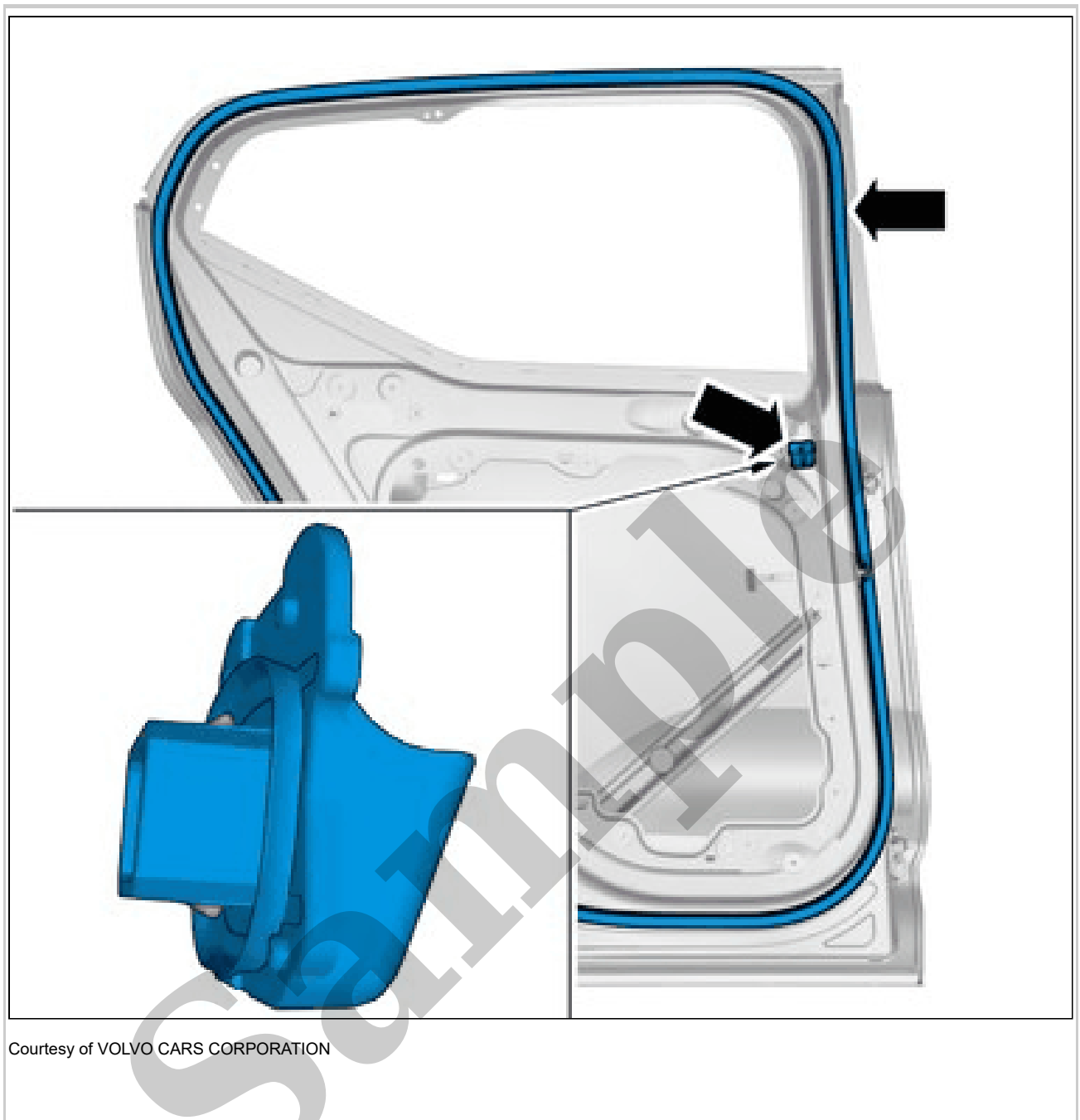
**FRONT DOOR > FRONT DOOR [2018-2022] > INSTALLATION**





Courtesy of VOLVO CARS CORPORATION

Remove the screws.



Courtesy of VOLVO CARS CORPORATION

Install the marked component.  
To install, reverse the removal procedure.

### **FOOT MOVEMENT DETECTION MODULE > FOOT MOVEMENT DETECTION MODULE (FMDM) [2018-2022, B4204T18 | 2019-2022, B4204T47] > REMOVAL**

Set the vehicle to Inactive mode, described in user mode. Refer to: USAGE MODE  
Follow instructions for lifting points body frame. Refer to: JACKING POINTS BODY