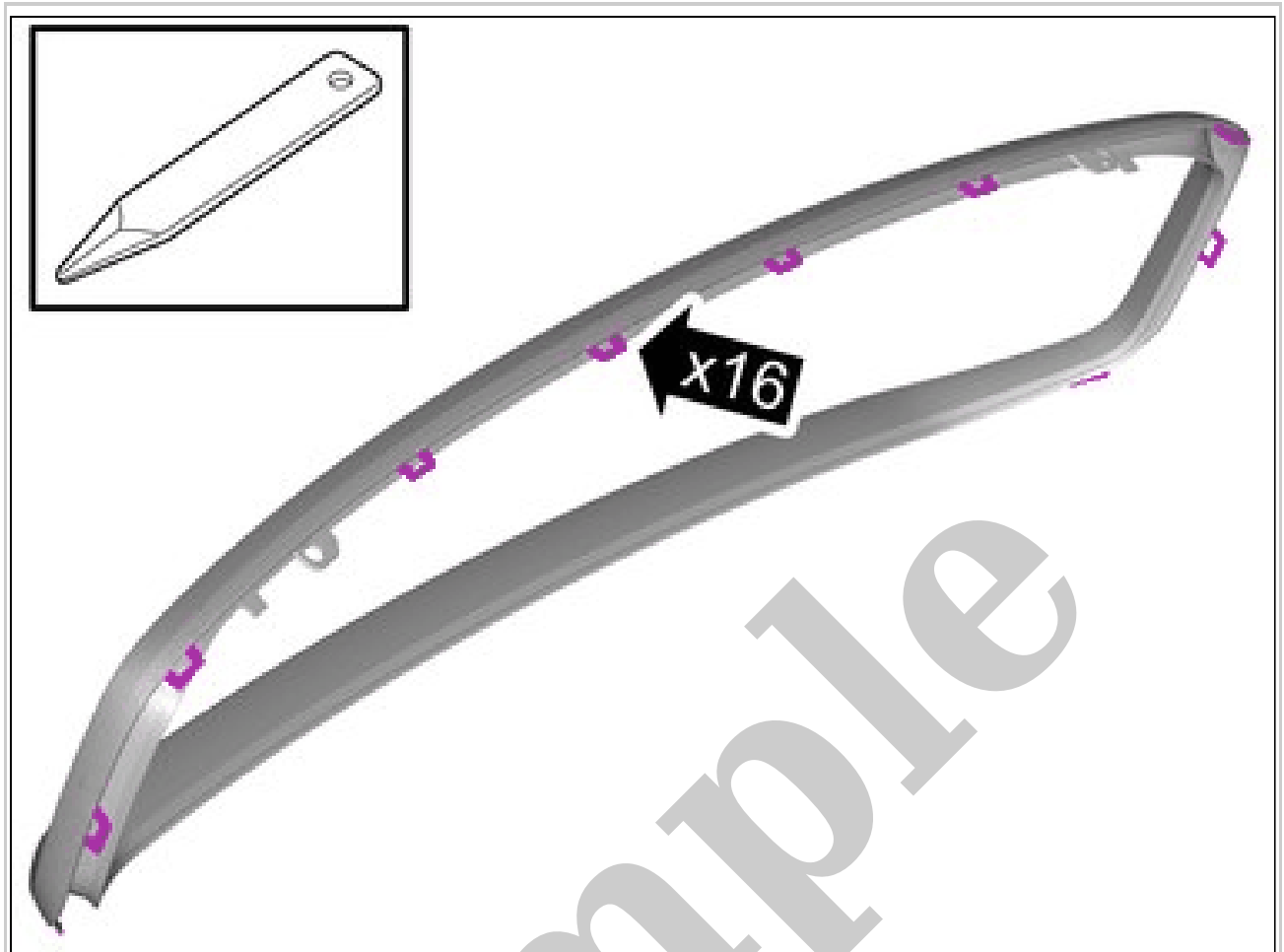


Your Ultimate Source for OEM Repair Manuals

FactoryManuals.net is a great resource for anyone who wants to save money on repairs by doing their own work. The manuals provide detailed instructions and diagrams that make it easy to understand how to fix a vehicle.

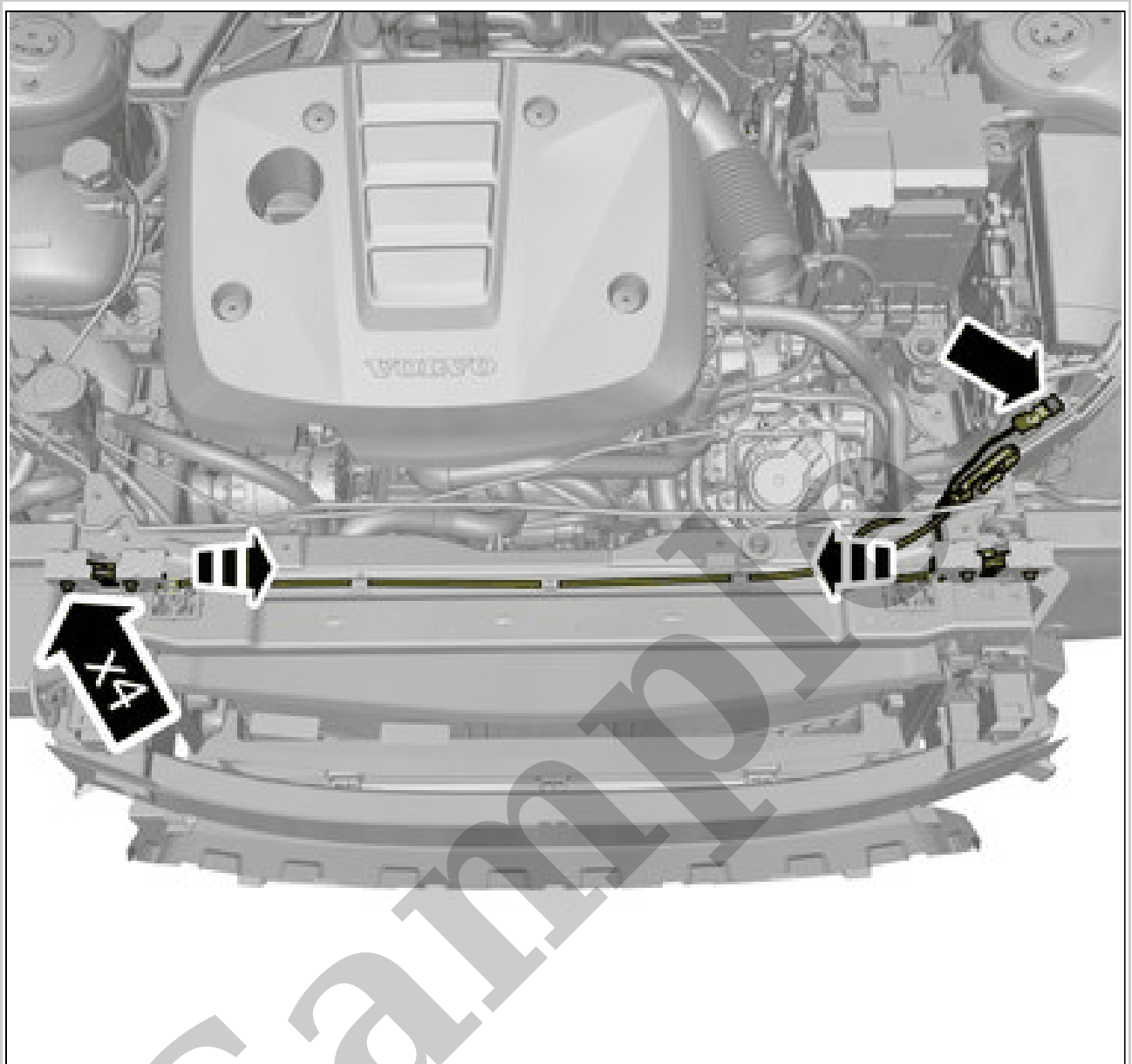
2011 VOLVO XC60 OEM Service and Repair Workshop Manual

[Go to manual page](#)



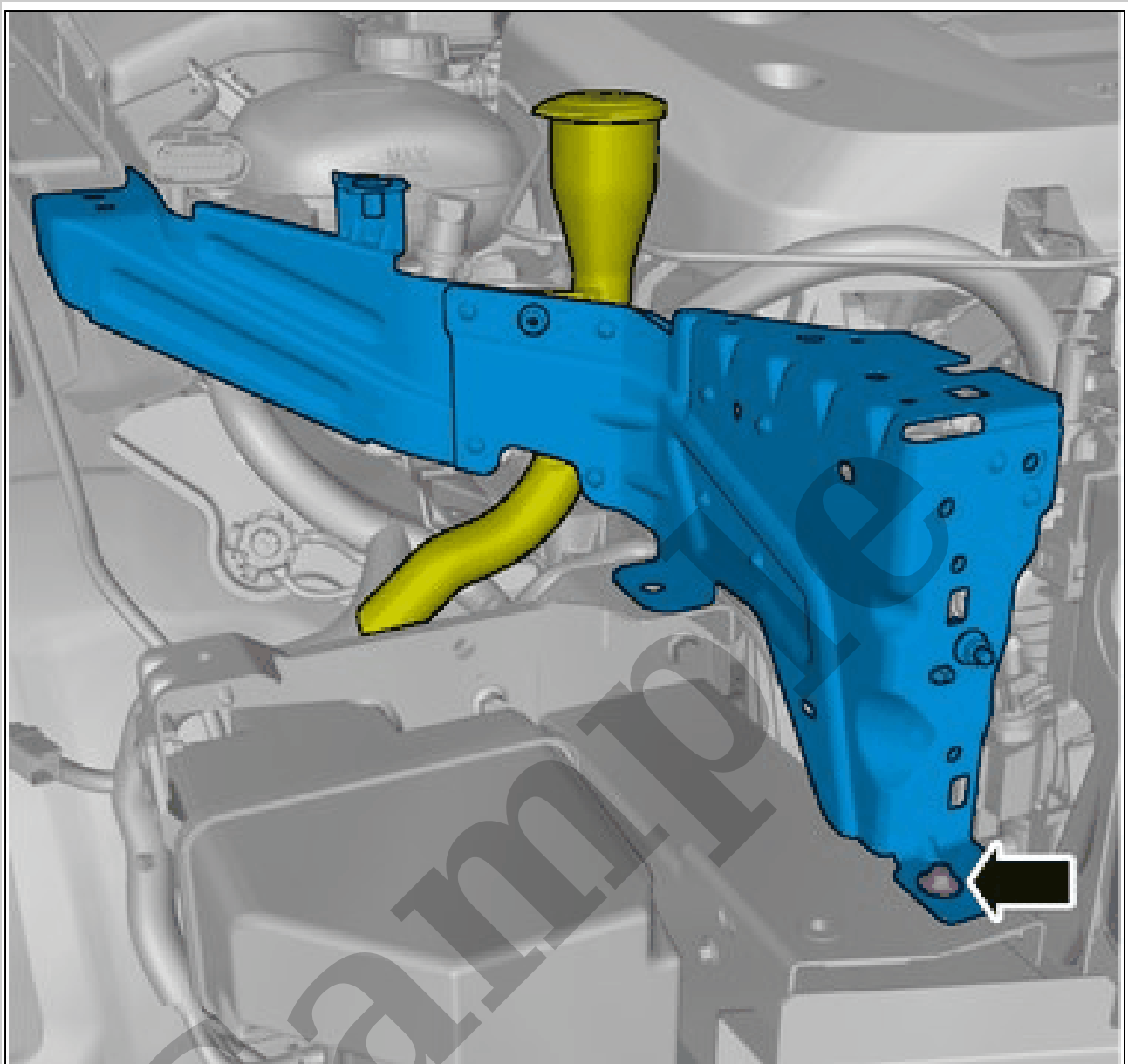
Courtesy of VOLVO CARS CORPORATION

NOTE: *The graphic shows the back of the component before removal.*



Courtesy of VOLVO CARS CORPORATION

- Remove the screws.
- Loosen the clip.
- Disconnect the connector.
- Fold marked part aside.



Courtesy of VOLVO CARS CORPORATION

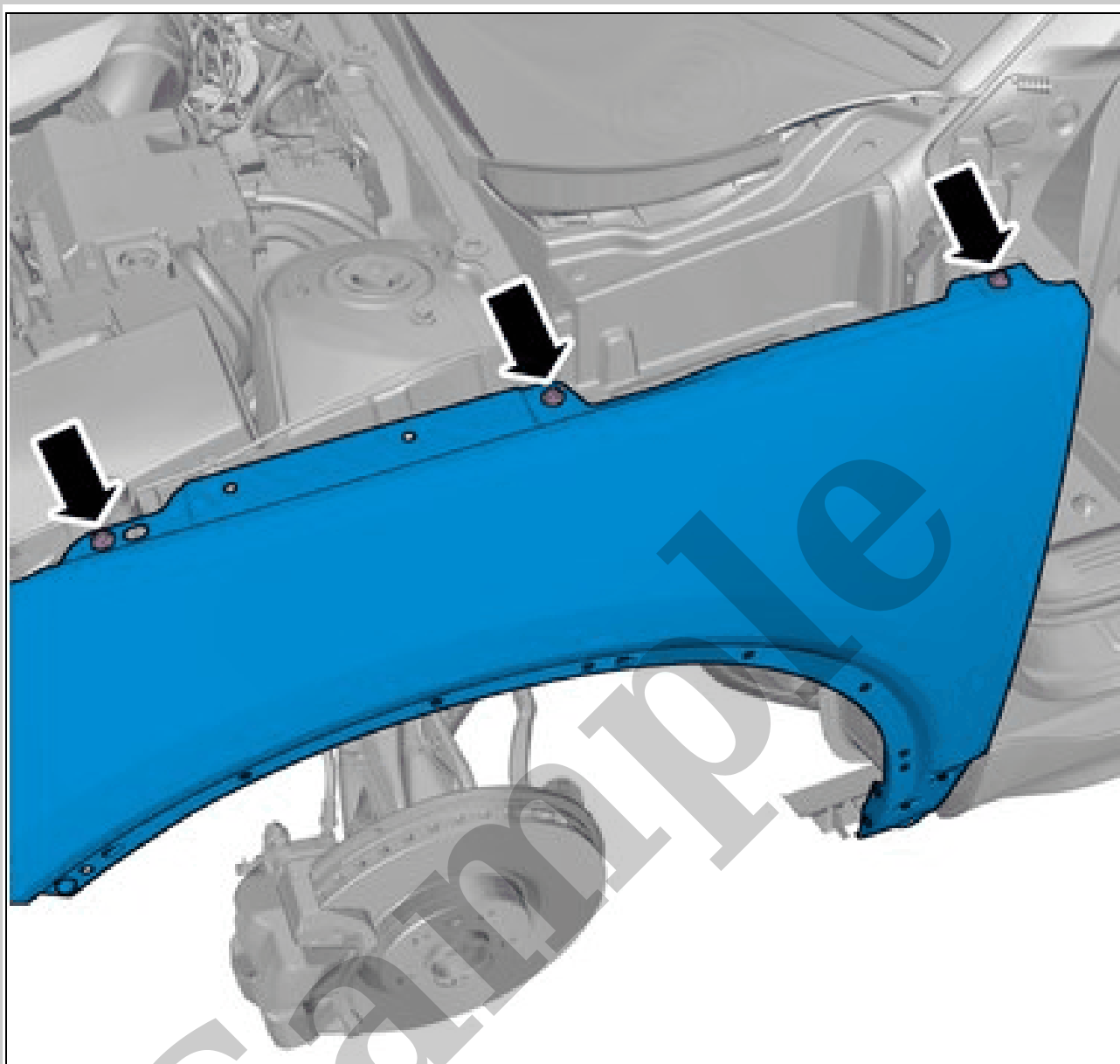
Remove the screw.
Remove the marked part.
Torque: M6, 10Nm

Remove the headlamp. Refer to: HEADLAMPS



Courtesy of VOLVO CARS CORPORATION

NOTE: *The graphic shows the back of the component before removal.*



Courtesy of VOLVO CARS CORPORATION

Remove the screws.

Remove the marked part.

Torque: M6, 10Nm

See information about paint. Refer to: PAINT

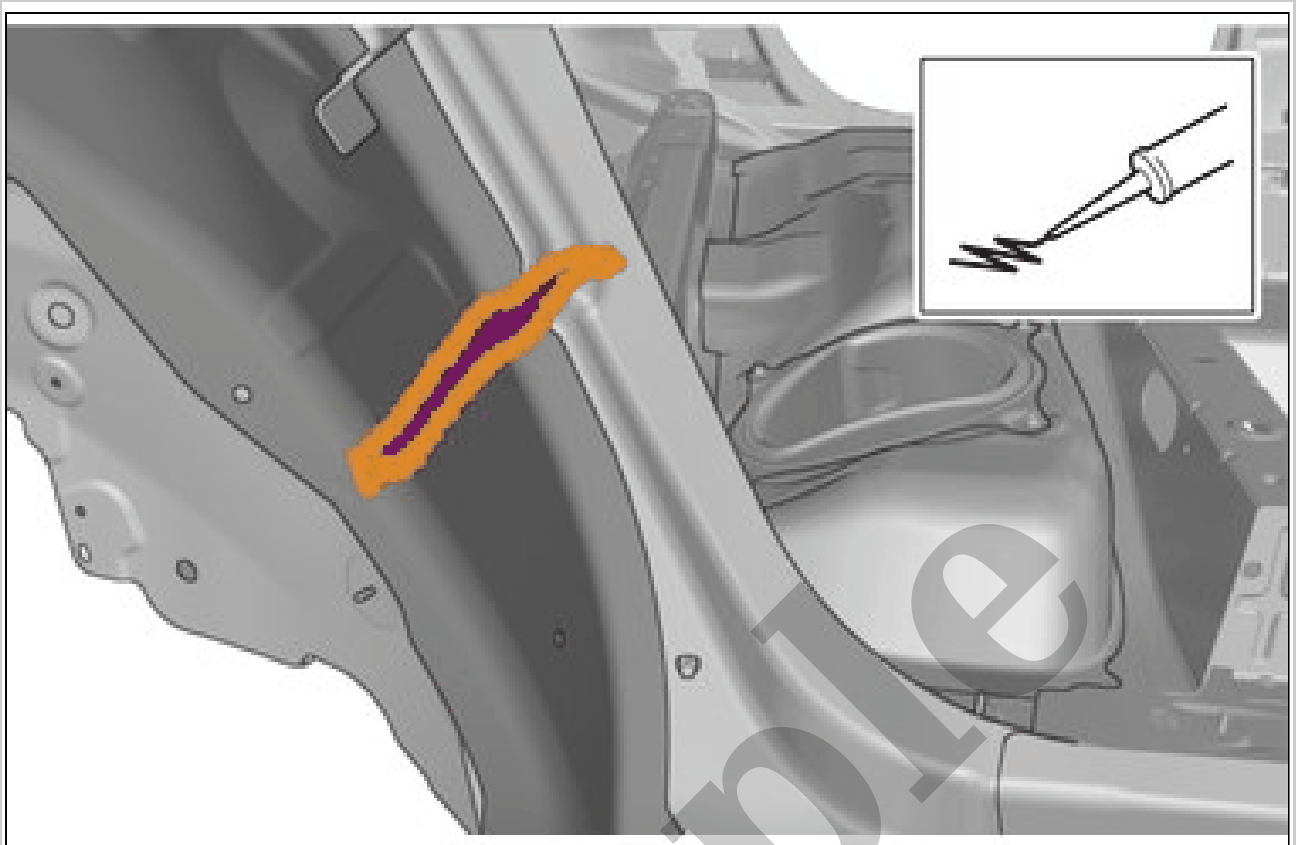
See information about corrosion protection. Refer to: RUSTPROOFING

FENDER FRONT > FENDER FRONT [2018-2022] > INSTALLATION

To install, reverse the removal procedure.

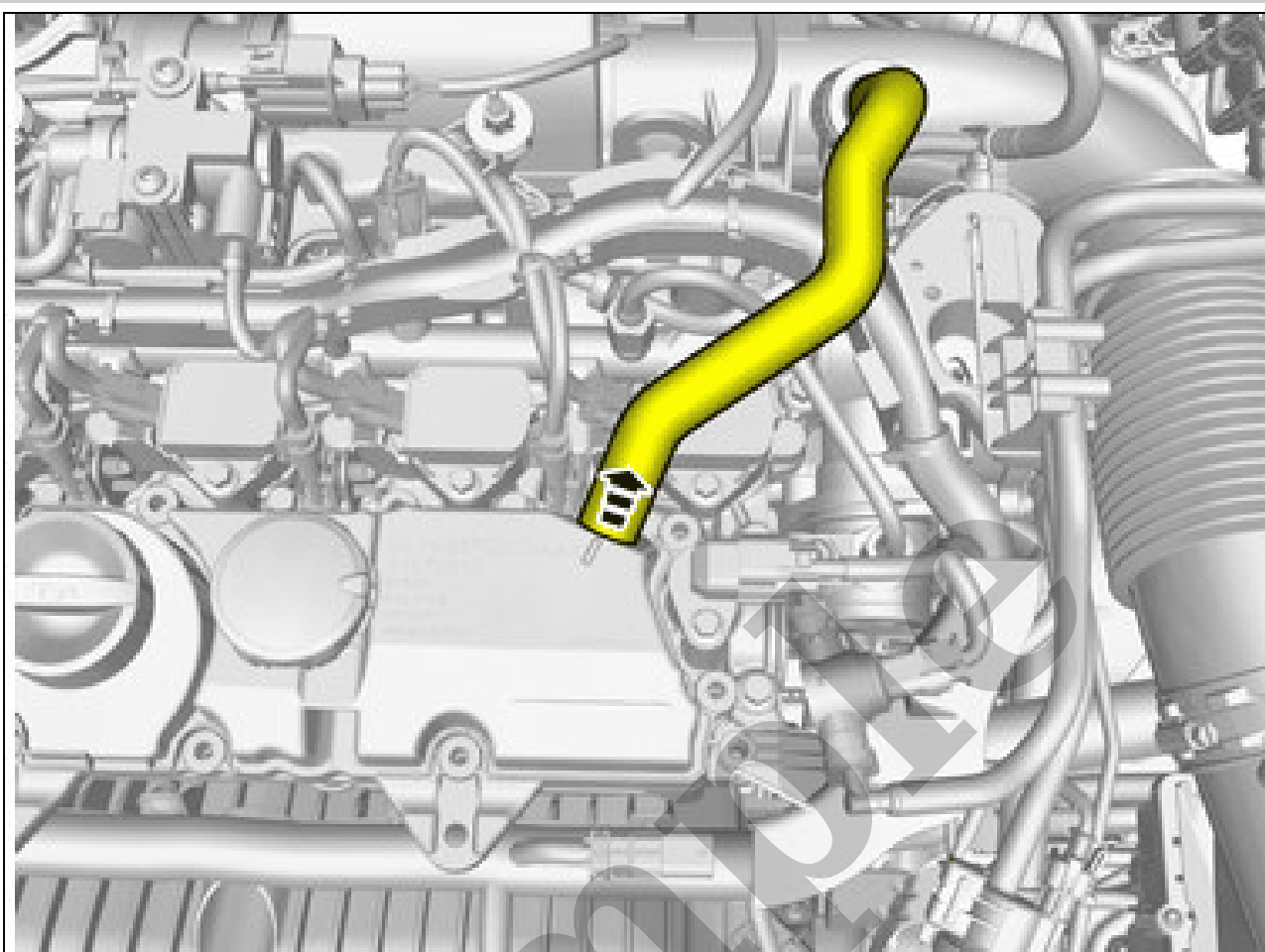
FENDER REAR > FENDER REAR [2018-2022] > REMOVAL

See information on welding, general. Refer to: WELDING, GENERAL



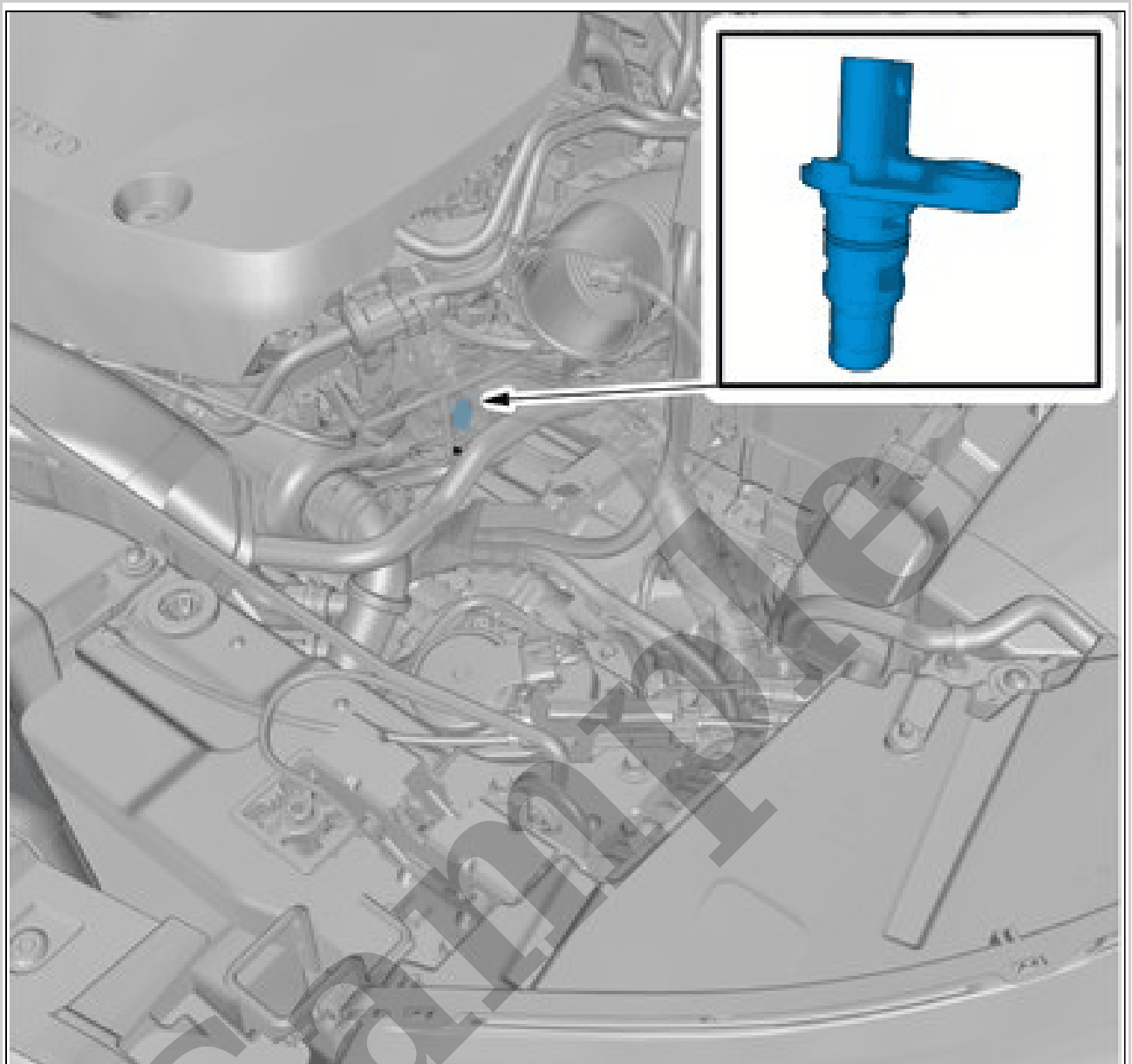
Courtesy of VOLVO CARS CORPORATION

Sample



Courtesy of VOLVO CARS CORPORATION

Undo the hose from the connection.



Courtesy of VOLVO CARS CORPORATION

NOTE: *Orientation view*

Remove the air filter housing. Refer to: AIR CLEANER HOUSING

ACTIVE SPOILER SHUTTER MODULE ASSM > ACTIVE SPOILER SHUTTER MODULE ASSM [2021-2022 | 2018-2019, B4204T18 | 2019, B4204T47] > INSTALLATION

To install, reverse the removal procedure.

CAMSHAFT POSITION SENSOR, EXHAUST SIDE > CAMSHAFT POSITION SENSOR, EXHAUST SIDE [2018-2022, B4204T18 | 2019-2022, B4204T47] > REMOVAL

NOTE: *Removal steps in this procedure may contain installation details.*

Sample