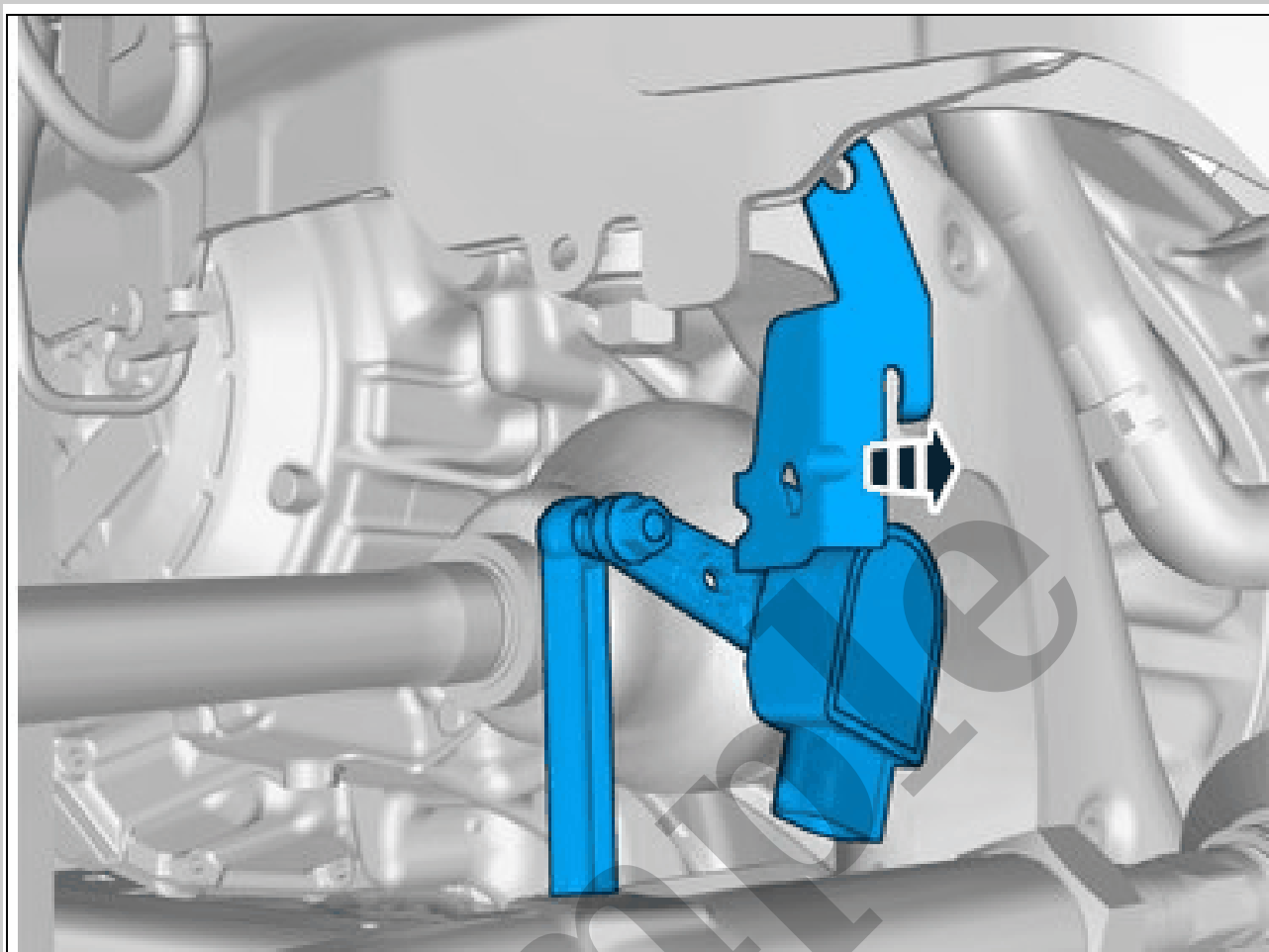


Your Ultimate Source for OEM Repair Manuals

FactoryManuals.net is a great resource for anyone who wants to save money on repairs by doing their own work. The manuals provide detailed instructions and diagrams that make it easy to understand how to fix a vehicle.

2011 VOLVO V50 OEM Service and Repair Workshop Manual

[Go to manual page](#)

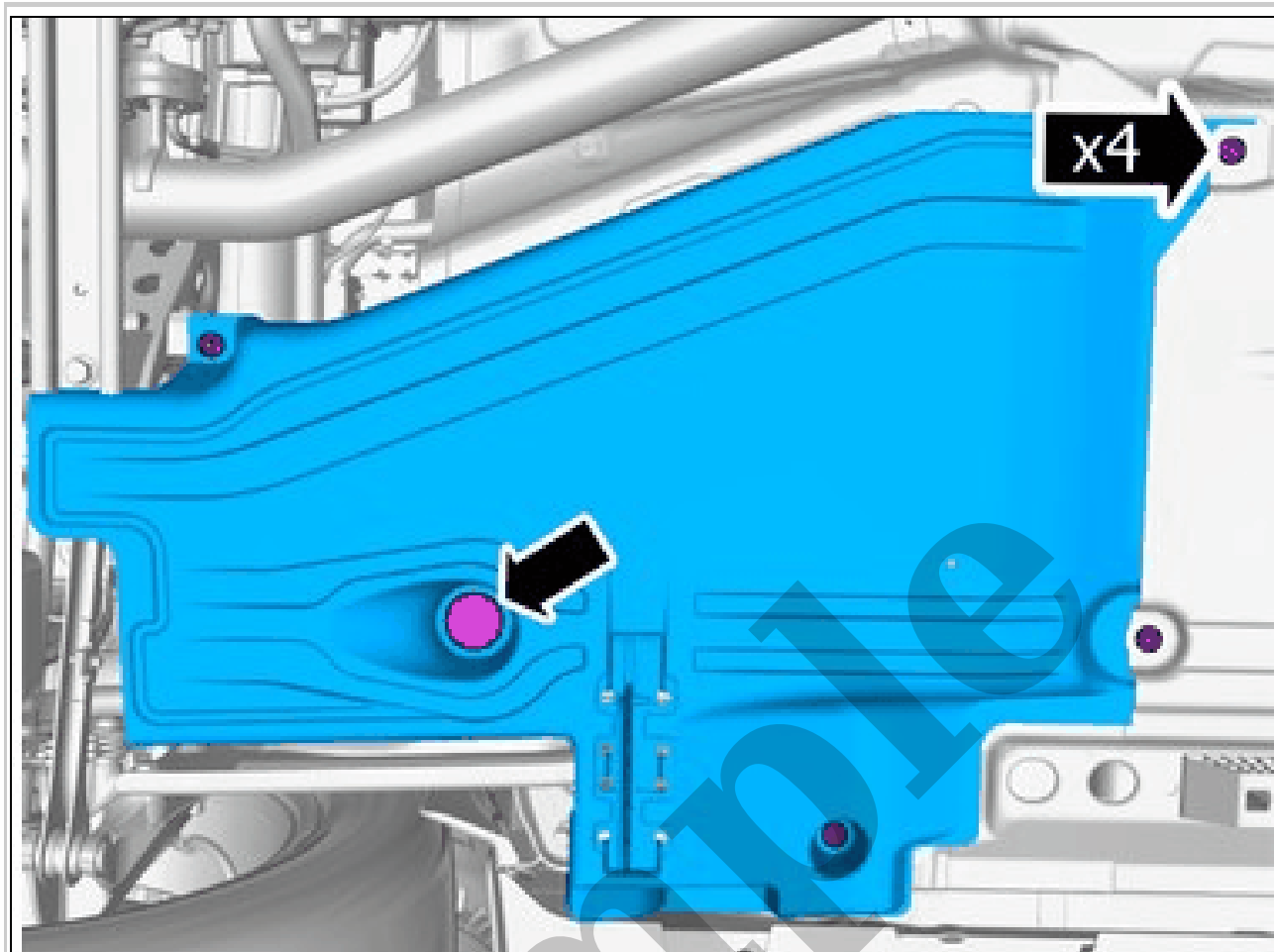


Courtesy of VOLVO CARS CORPORATION

Remove the marked part.

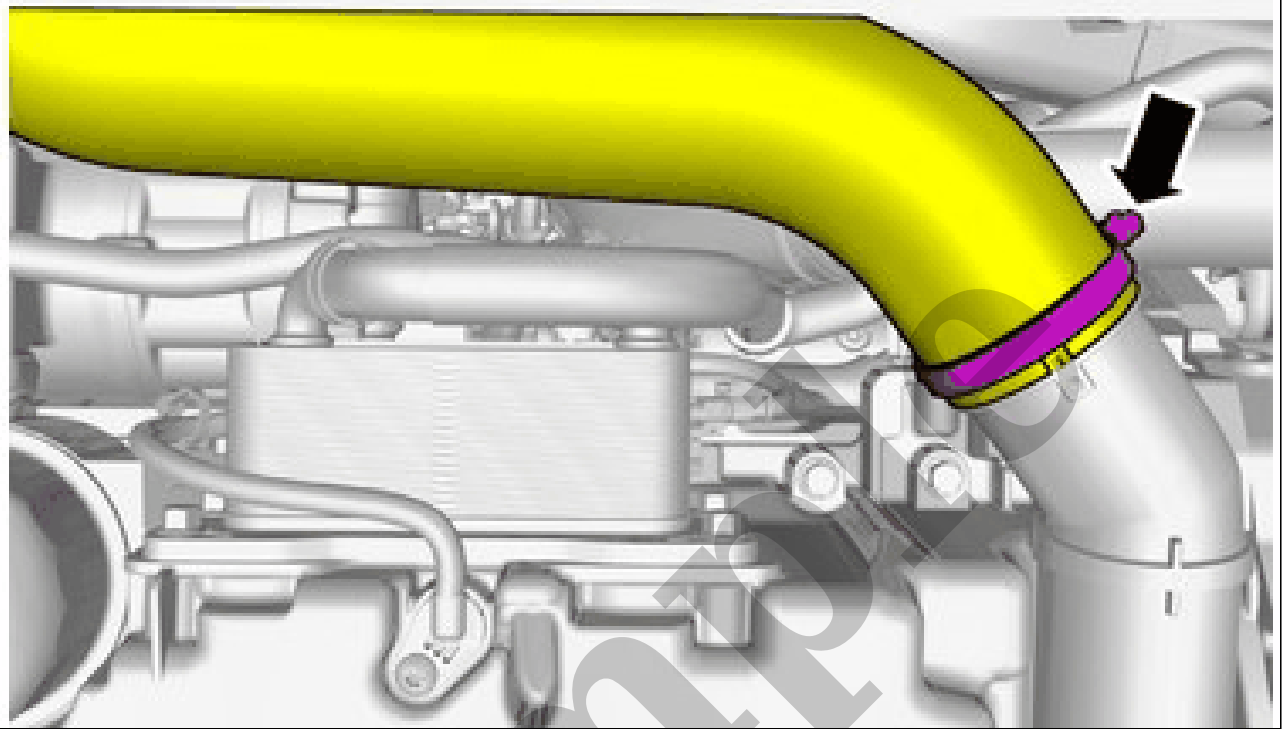
POSITION SENSOR, WHEEL SUSPENSION FRONT > POSITION SENSOR, WHEEL SUSPENSION FRONT [2018-2022] > INSTALLATION

To install, reverse the removal procedure.



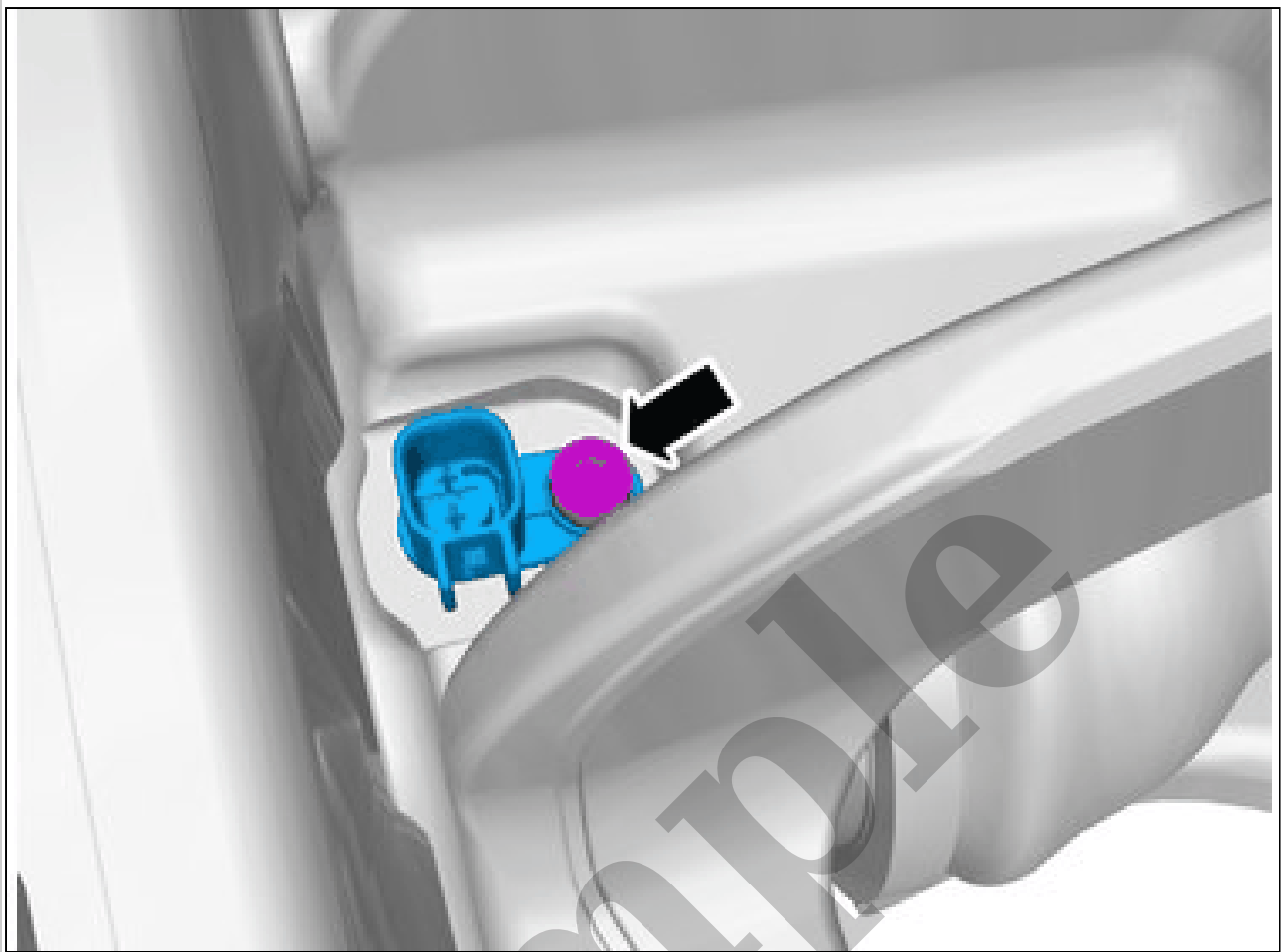
Courtesy of VOLVO CARS CORPORATION

Remove the nuts.
Remove the clip.



Courtesy of VOLVO CARS CORPORATION

Loosen the hose clamp.
Loosen the component indicated. Do not remove it.



Courtesy of VOLVO CARS CORPORATION

Remove the screw.

Torque: Rpm sensor for wheel spindle, 10Nm

Remove the marked part.

WHEEL SPEED SENSOR, FRONT > WHEEL SPEED SENSOR, FRONT [2018-2022] > INSTALLATION

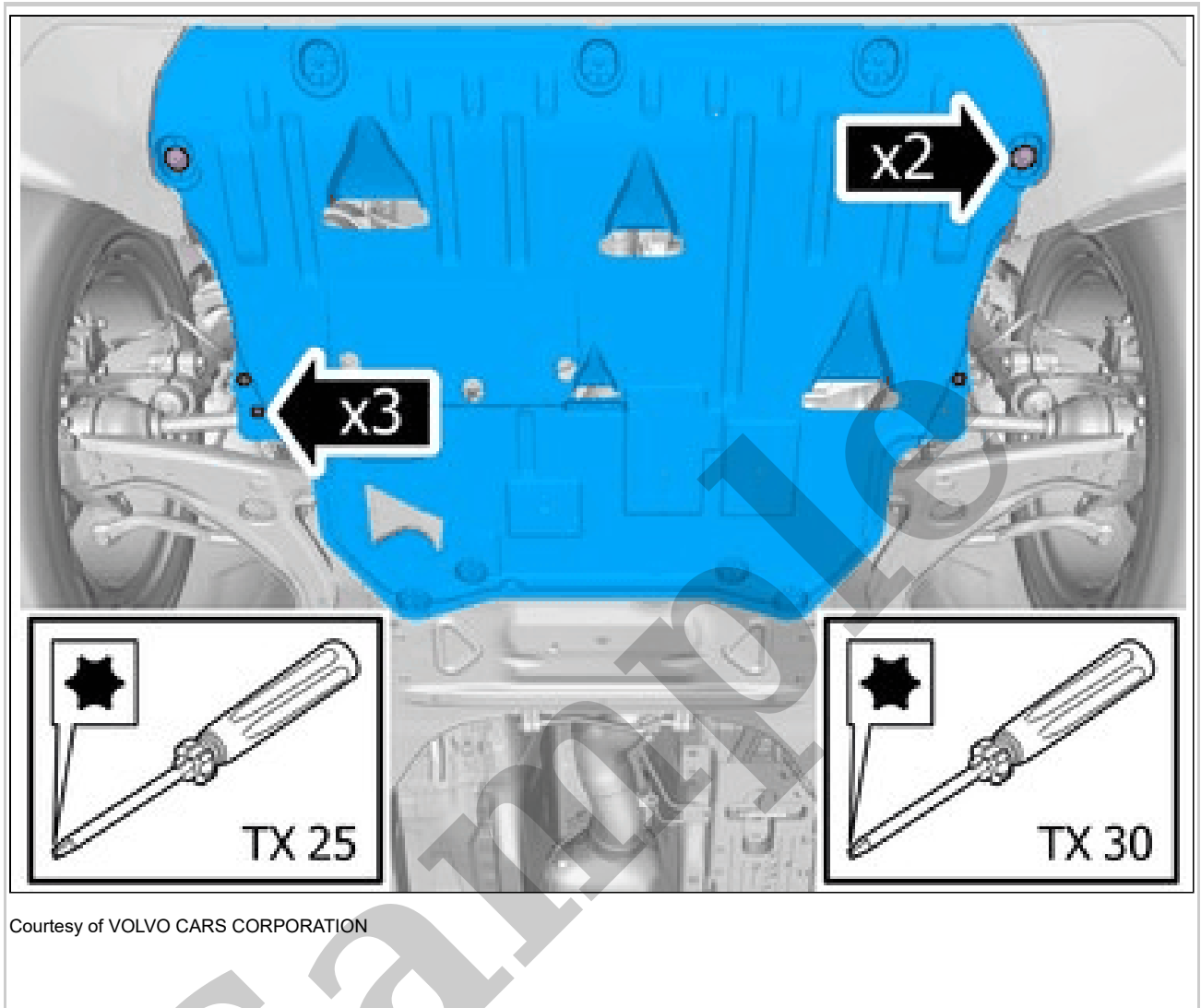
To install, reverse the removal procedure.

WHEEL SPEED SENSOR, REAR > WHEEL SPEED SENSOR, REAR [2018-2022] > REMOVAL

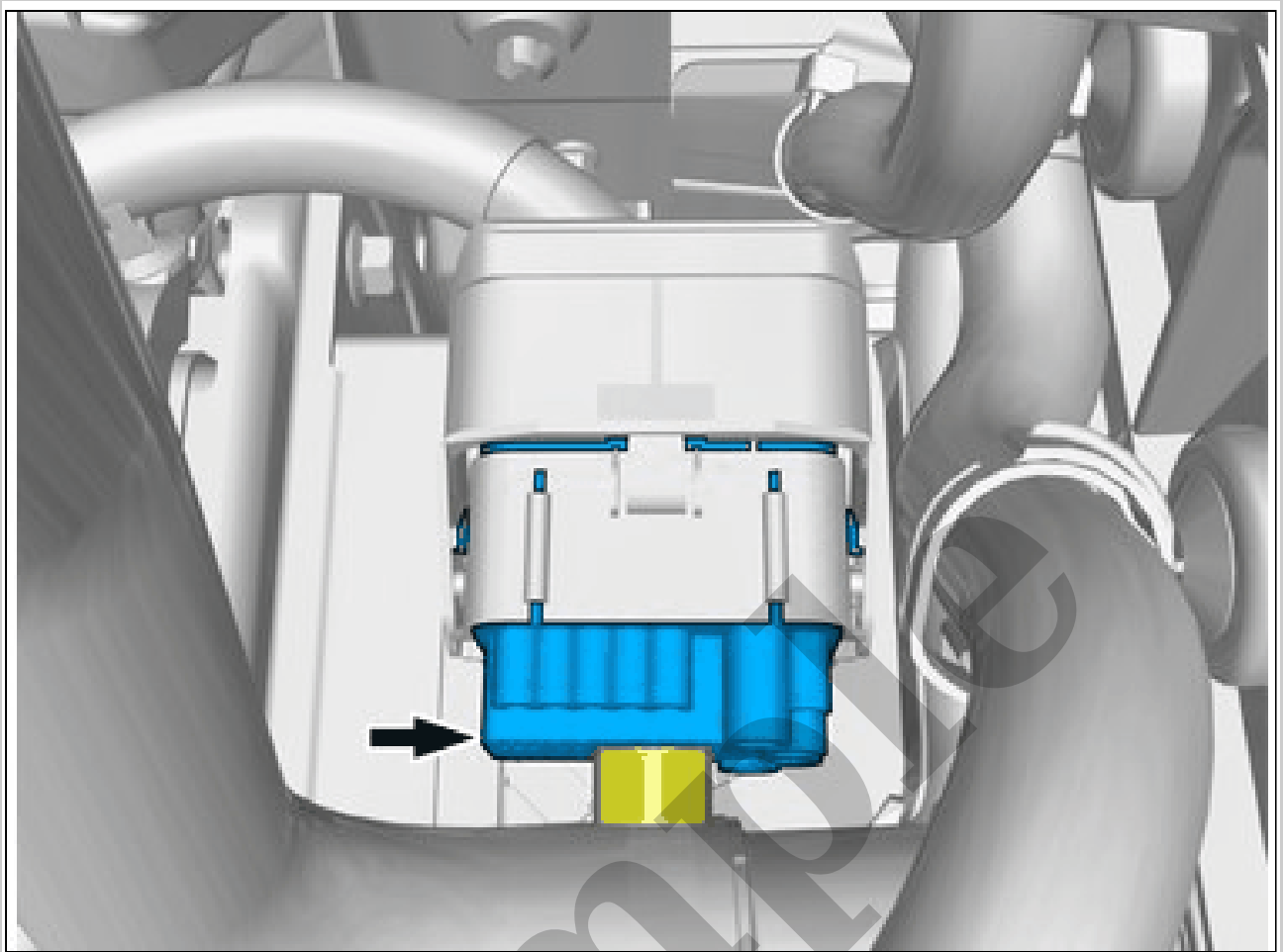
NOTE: *Removal steps in this procedure may contain installation details.*

Remove the wheel. Refer to: WHEELS

EMERGENCY OPENING OF HOOD > EMERGENCY OPENING OF HOOD [2018-2021 | 2021-2022, B4204T18; B4204T47] > REMOVAL

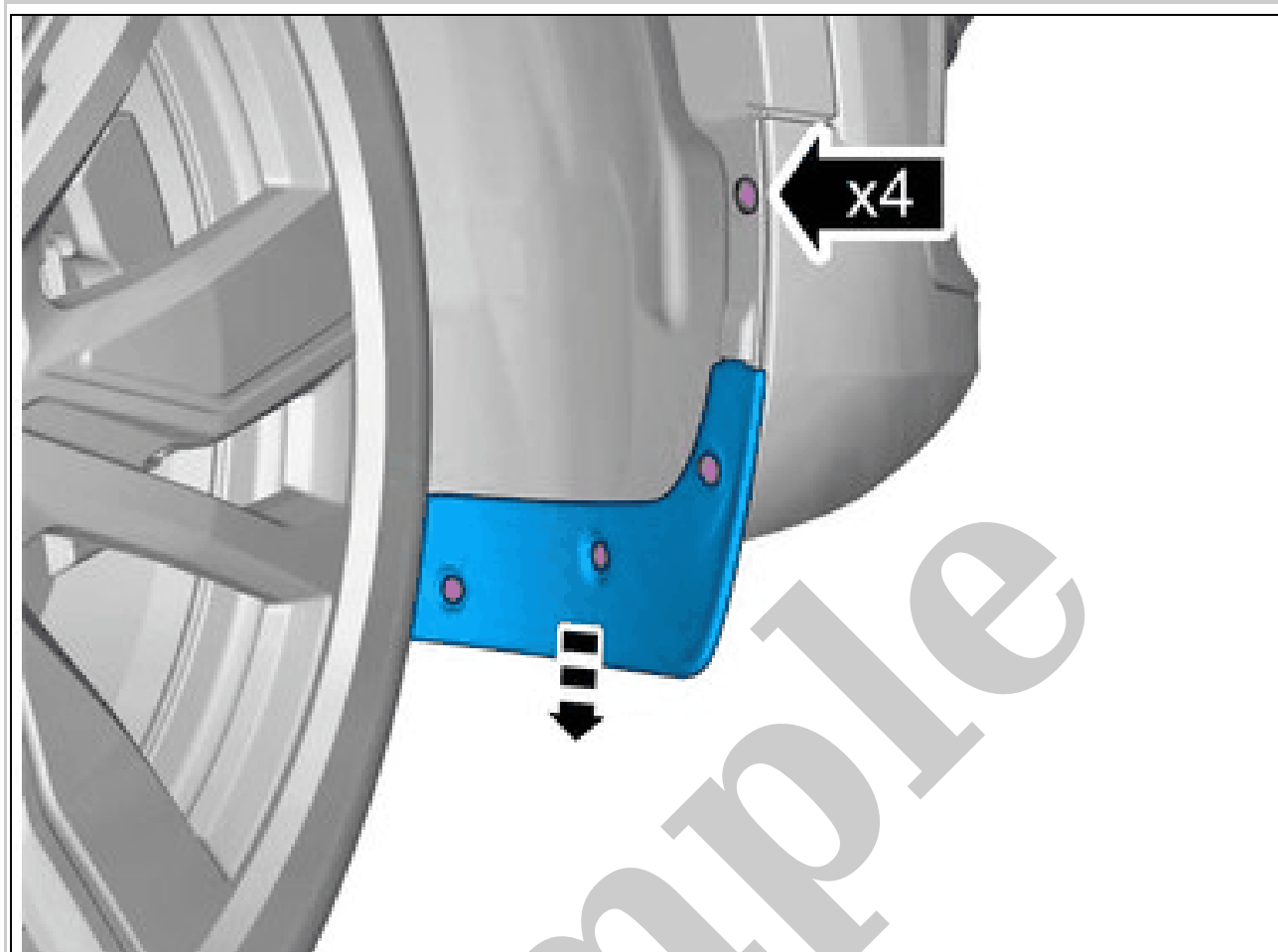


Remove the screws.



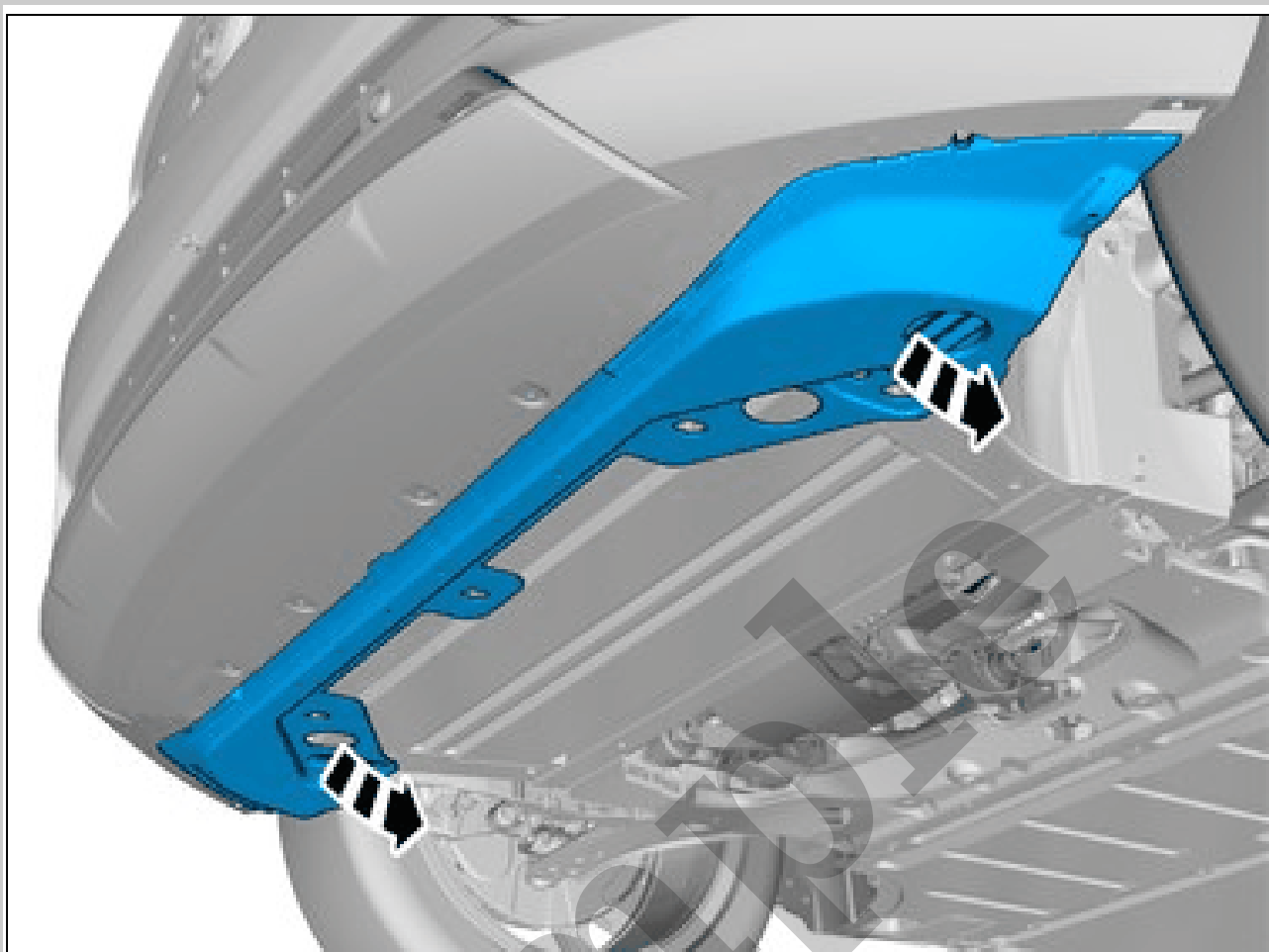
Courtesy of VOLVO CARS CORPORATION

Remove the marked part.



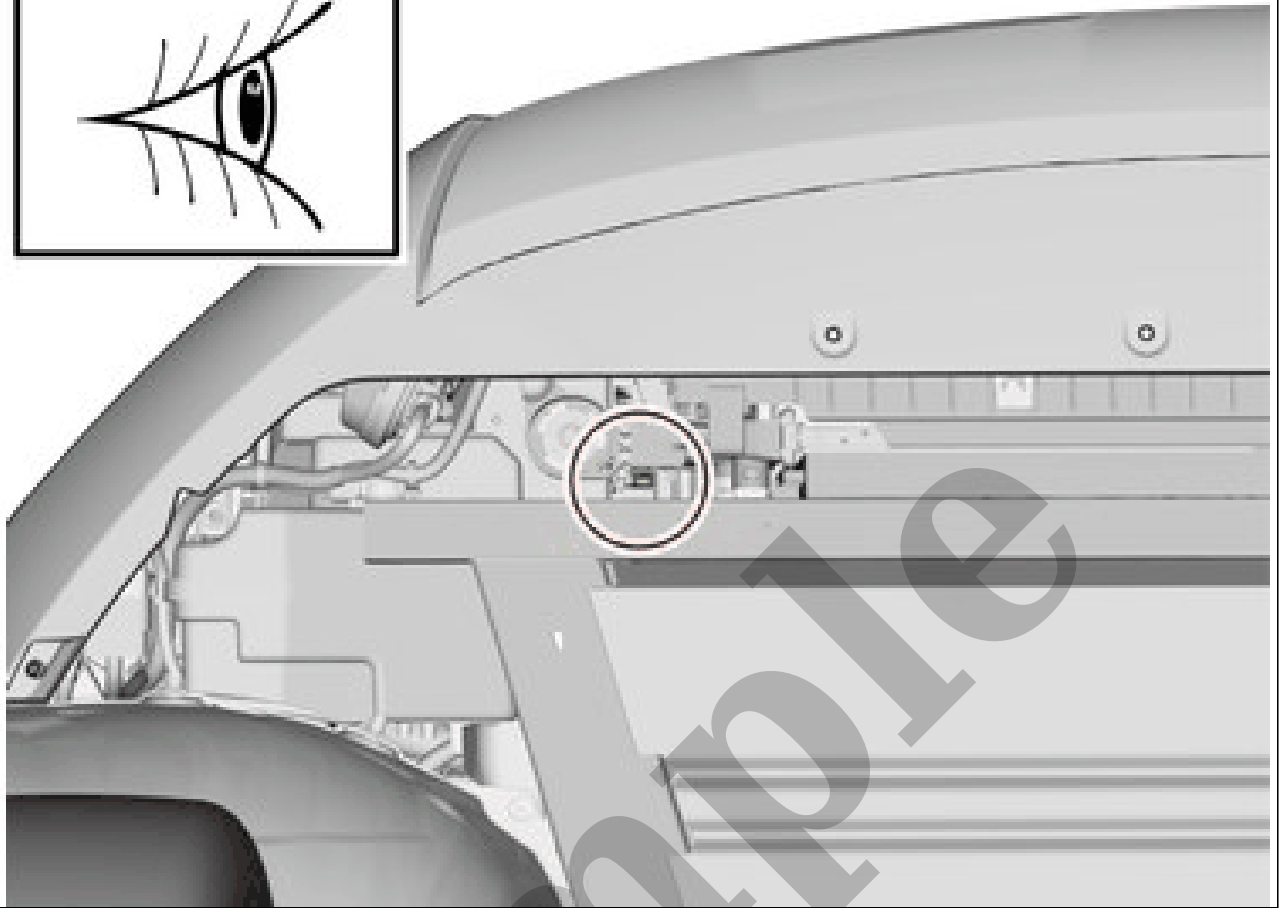
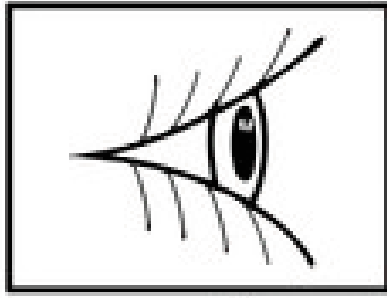
Courtesy of VOLVO CARS CORPORATION

On both sides.
Remove the screws.
Remove the marked part.



Courtesy of VOLVO CARS CORPORATION

Remove the marked part.



Courtesy of VOLVO CARS CORPORATION

NOTE: *Orientation view*