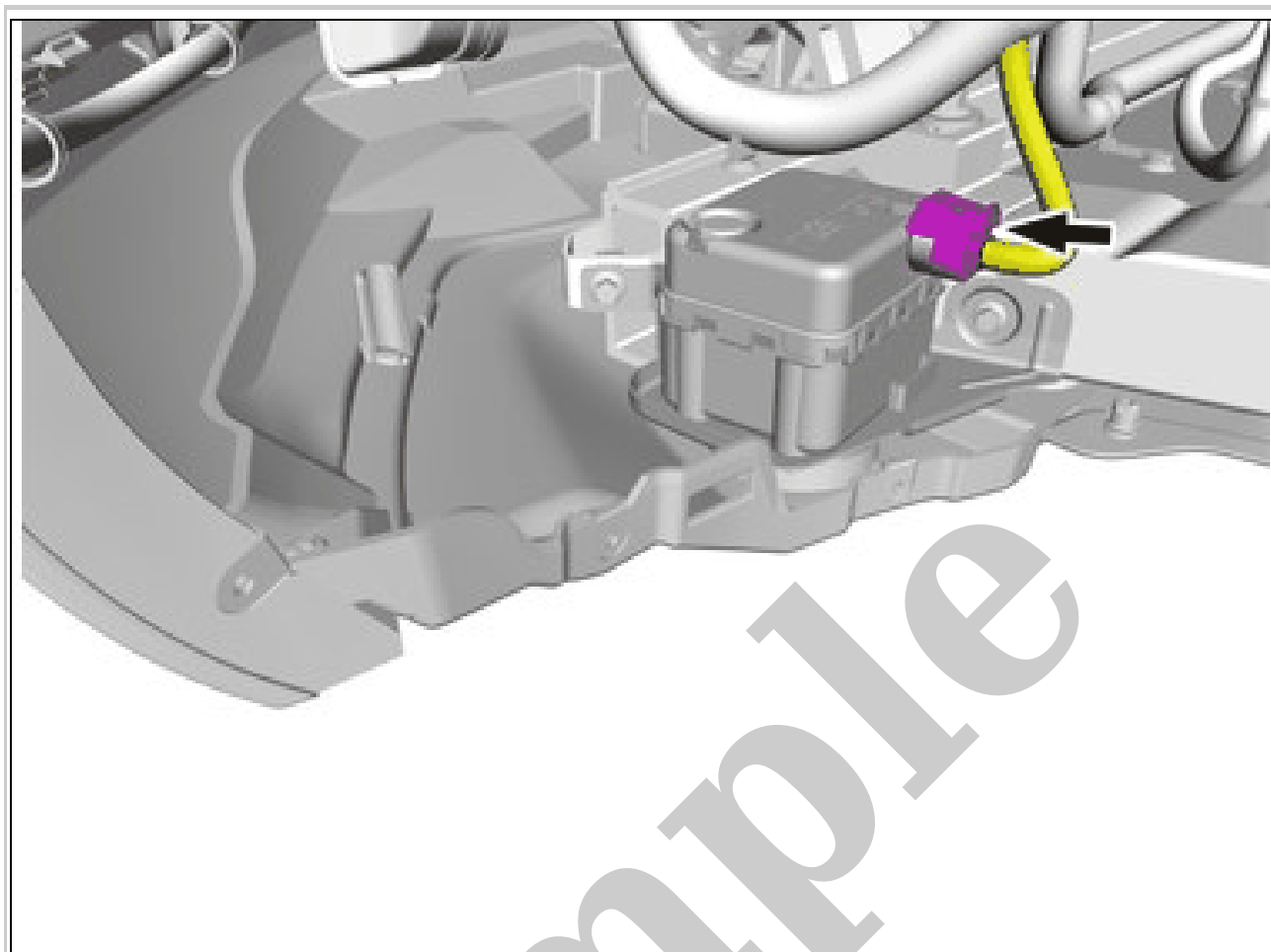


# Your Ultimate Source for OEM Repair Manuals

FactoryManuals.net is a great resource for anyone who wants to save money on repairs by doing their own work. The manuals provide detailed instructions and diagrams that make it easy to understand how to fix a vehicle.

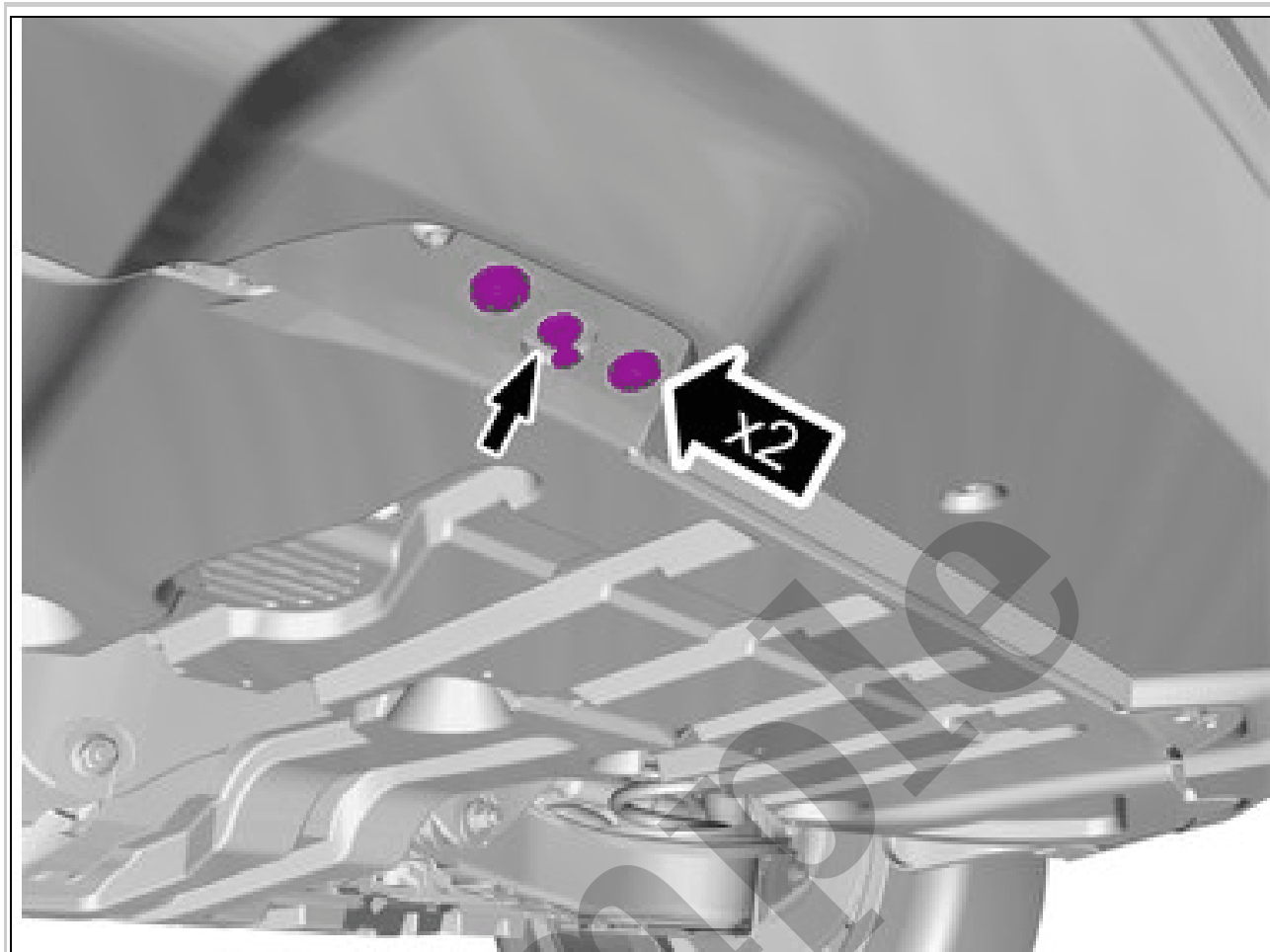
## 2011 VOLVO S80 OEM Service and Repair Workshop Manual

[Go to manual page](#)



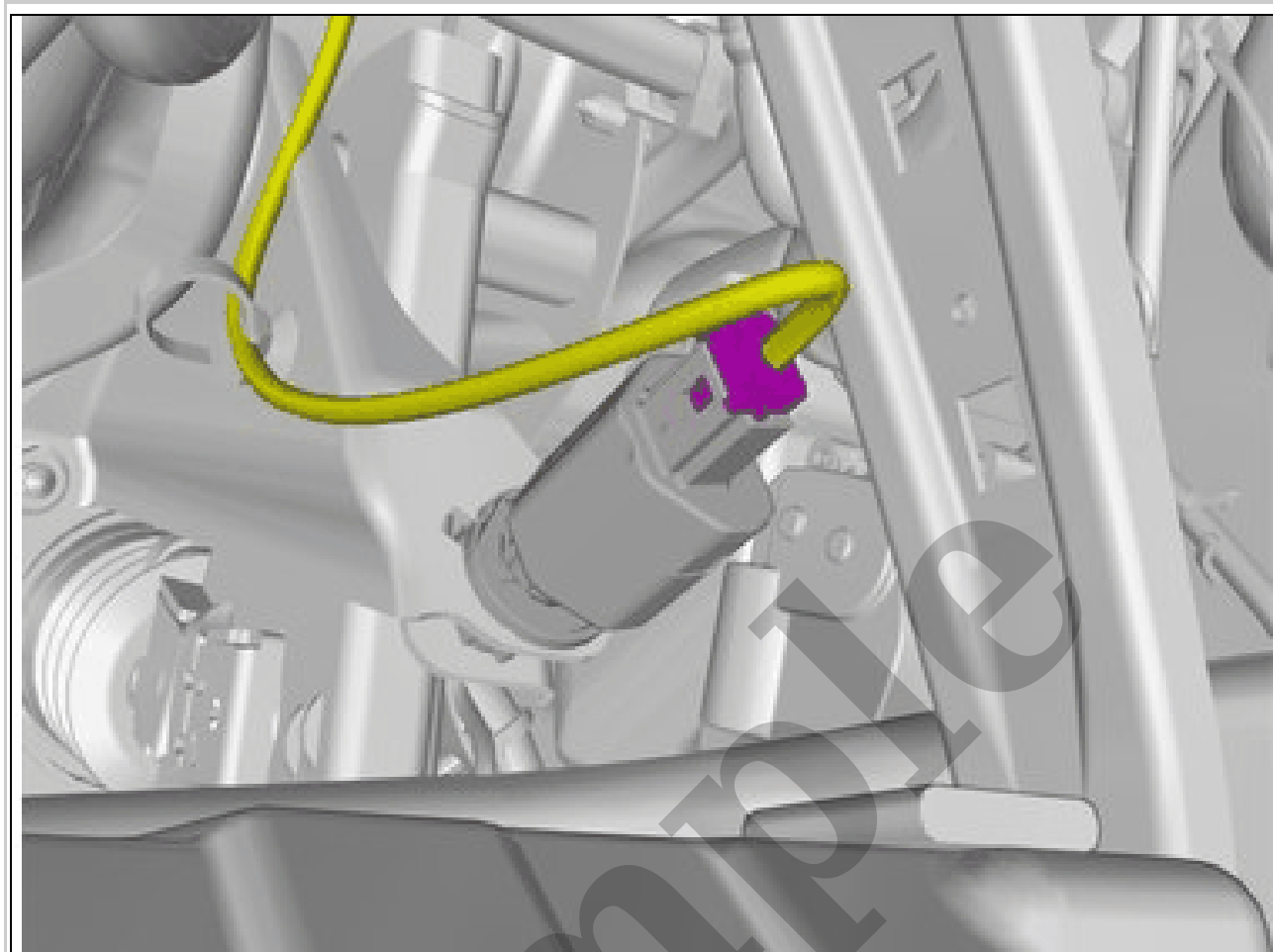
Courtesy of VOLVO CARS CORPORATION

Disconnect the connector.



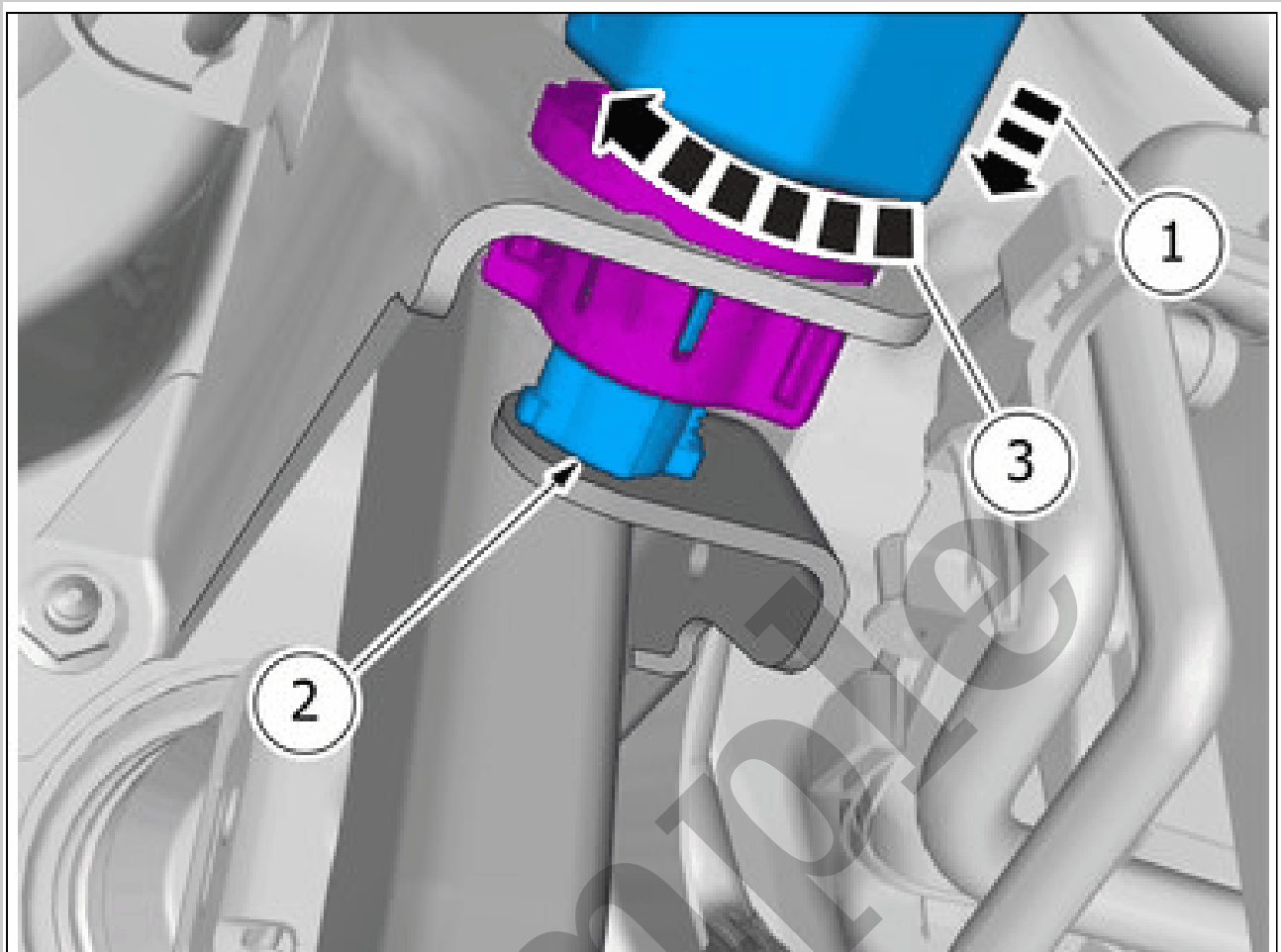
Courtesy of VOLVO CARS CORPORATION

Remove the clip.  
Remove the screws.  
Repeat on the other side.



Courtesy of VOLVO CARS CORPORATION

Disconnect the connector.



Courtesy of VOLVO CARS CORPORATION

1. Install the marked component.

**NOTE:** Ensure that the component is in contact with the surface, with no space.

- 2.
3. Turn in direction of arrow until stop.



Courtesy of VOLVO CARS CORPORATION

Remove the screw.  
Remove the marked part.  
**Torque:** M6, 10Nm

## **ACCELERATION SENSOR VERTICAL MOTION REAR > ACCELERATION SENSOR VERTICAL MOTION REAR [2019-2022] > INSTALLATION**

To install, reverse the removal procedure.

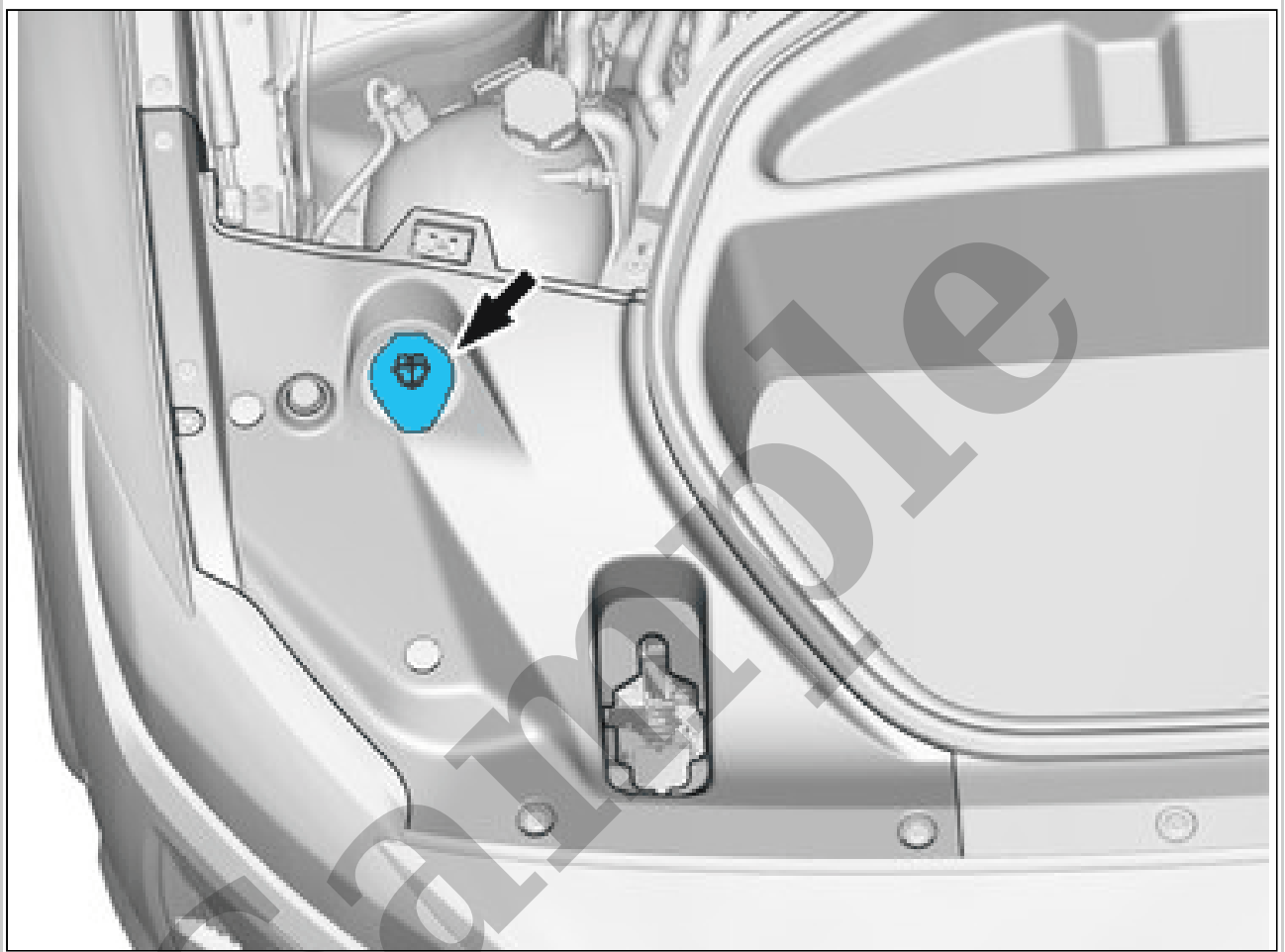
## **ACCELEROMETER AND YAW ANGLE SENSOR > ACCELEROMETER AND YAW ANGLE SENSOR [2018-2022] > REMOVAL**

**NOTE:** *Removal steps in this procedure may contain installation details.*

Remove relevant side wheel. Refer to: WHEELS

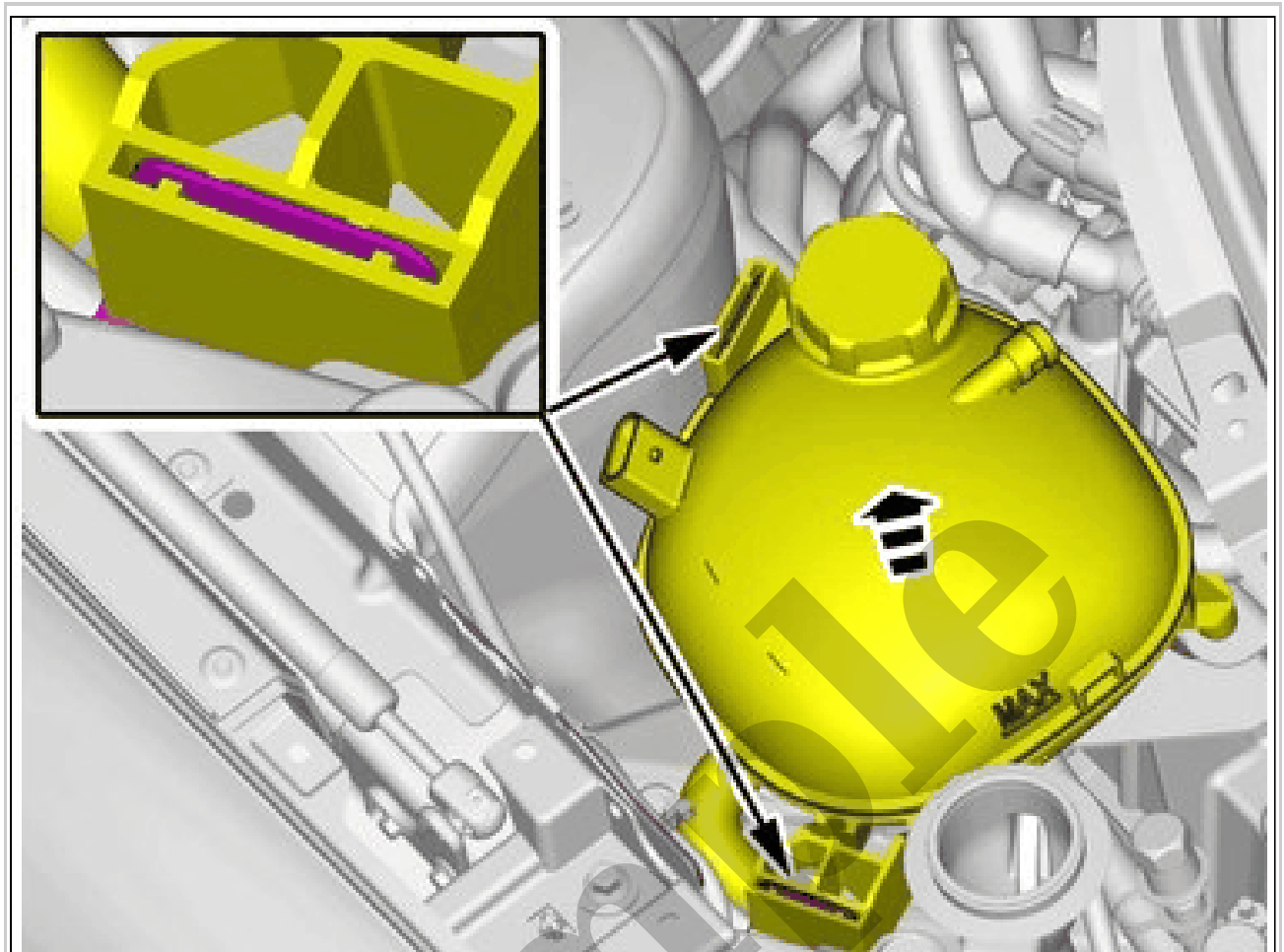
## COOLANT LEVEL SENSOR, ELECTRIC DRIVETRAIN > COOLANT LEVEL SENSOR, ELECTRIC DRIVETRAIN [2021-2022, E400V6] > REMOVAL

Drain cooling system electric powertrain, draining, filling, and bleeding. Refer to: ELECTRIC DRIVETRAIN COOLING SYSTEM, DRAINING, FILLING, AND BLEEDING



Courtesy of VOLVO CARS CORPORATION

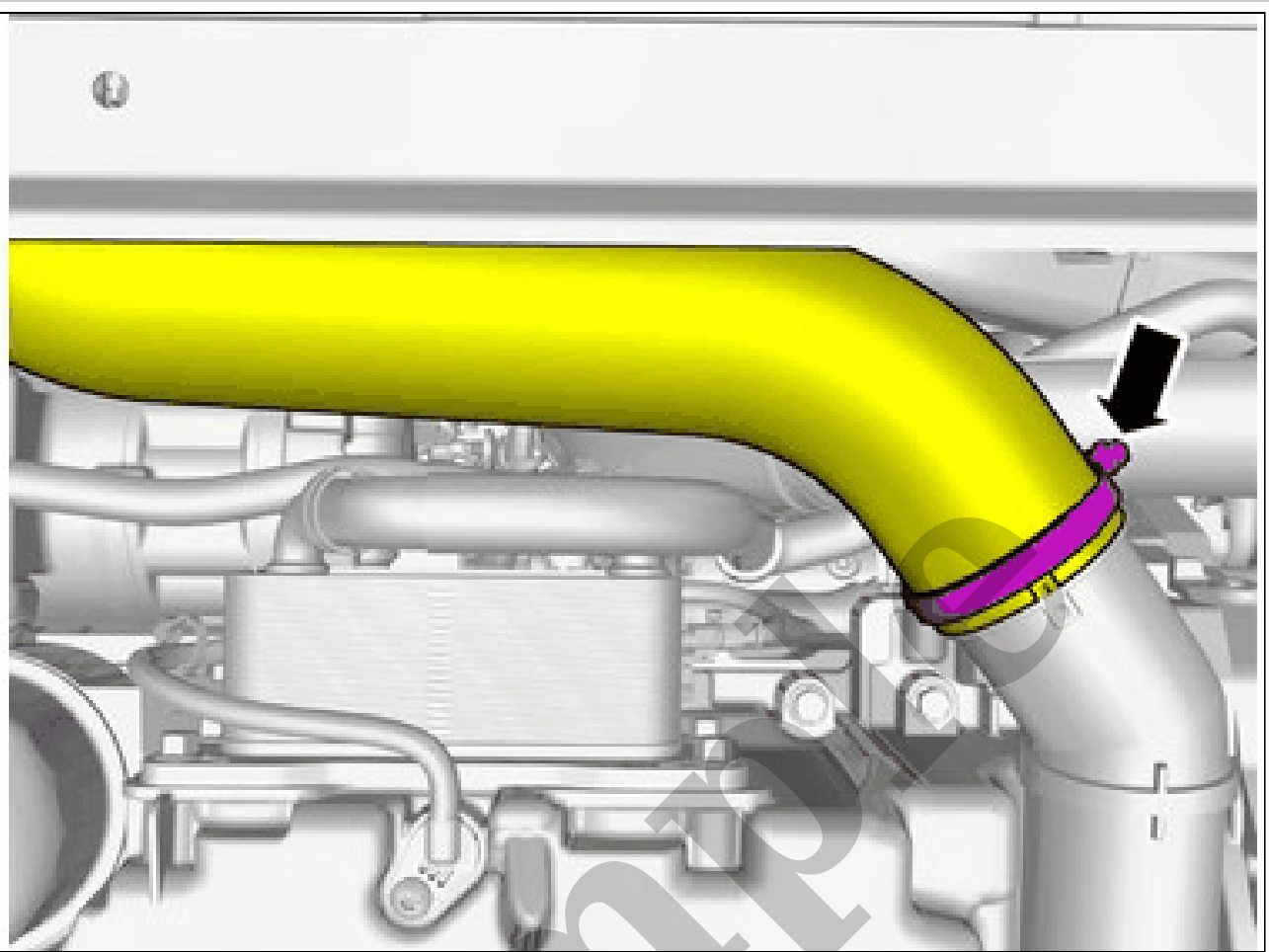
Remove the marked part.



Courtesy of VOLVO CARS CORPORATION

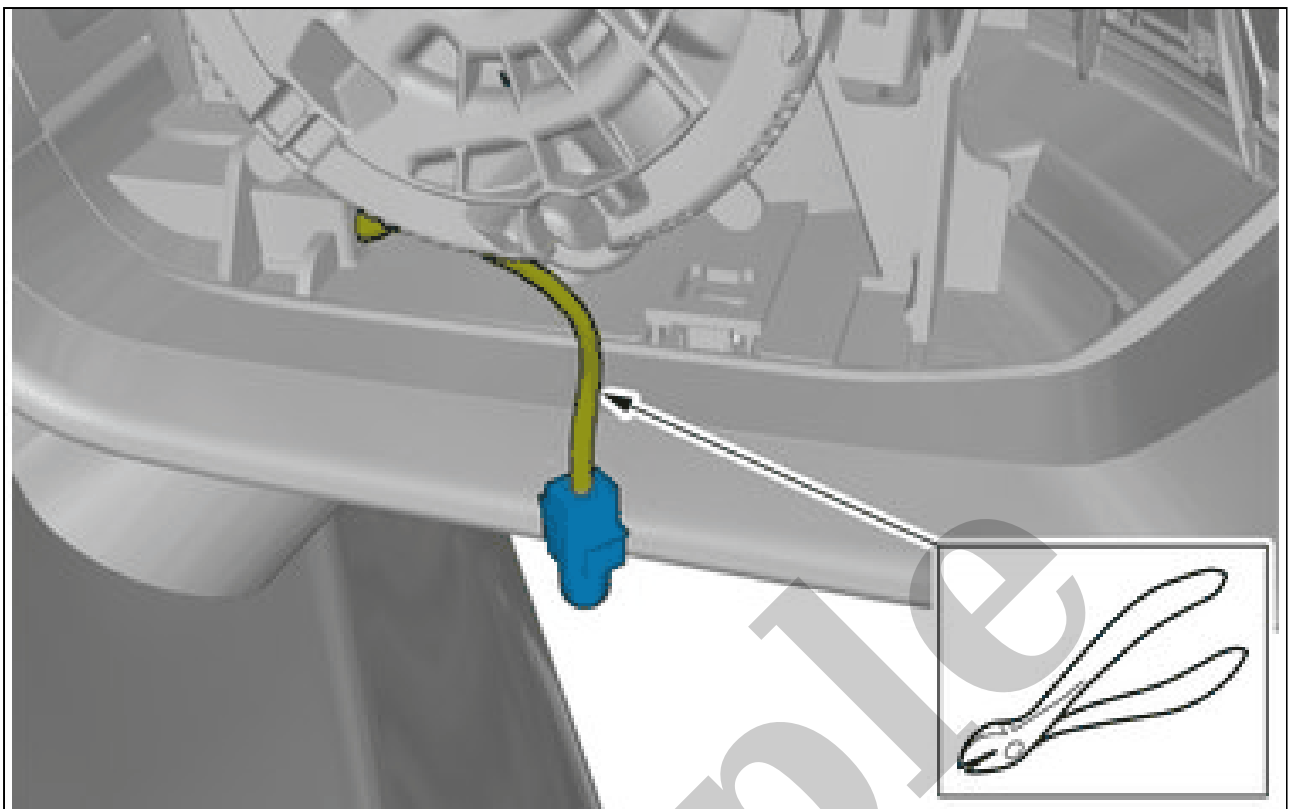
Lift the marked component up





Courtesy of VOLVO CARS CORPORATION

Loosen the hose clamp.  
Loosen the component indicated. Do not remove it.



Courtesy of VOLVO CARS CORPORATION

Carry out splicing of wire. Refer to: JOINING CABLES

## **OUTSIDE TEMPERATURE SENSOR > OUTSIDE TEMPERATURE SENSOR [2018-2022] > INSTALLATION**

To install, reverse the removal procedure.

## **POSITION SENSOR, WHEEL SUSPENSION FRONT > POSITION SENSOR, WHEEL SUSPENSION FRONT [2018-2022] > REMOVAL**

**NOTE:** *Removal steps in this procedure may contain installation details.*

Set the vehicle to Inactive mode, described in user mode. Refer to: USAGE MODE  
Remove relevant side wheel. Refer to: WHEELS