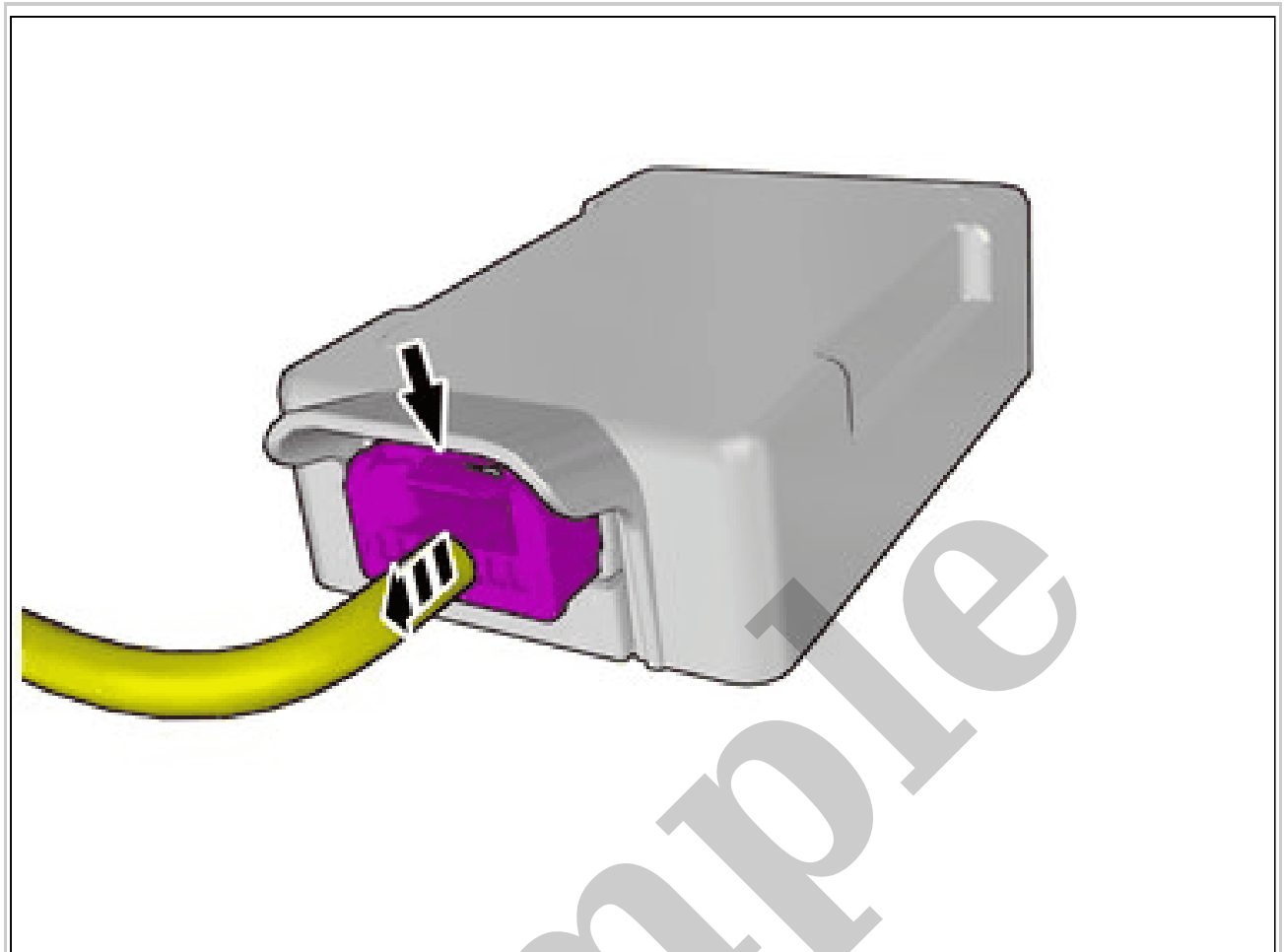


# Your Ultimate Source for OEM Repair Manuals

FactoryManuals.net is a great resource for anyone who wants to save money on repairs by doing their own work. The manuals provide detailed instructions and diagrams that make it easy to understand how to fix a vehicle.

## 2011 VOLVO C30 OEM Service and Repair Workshop Manual

[Go to manual page](#)



Courtesy of VOLVO CARS CORPORATION

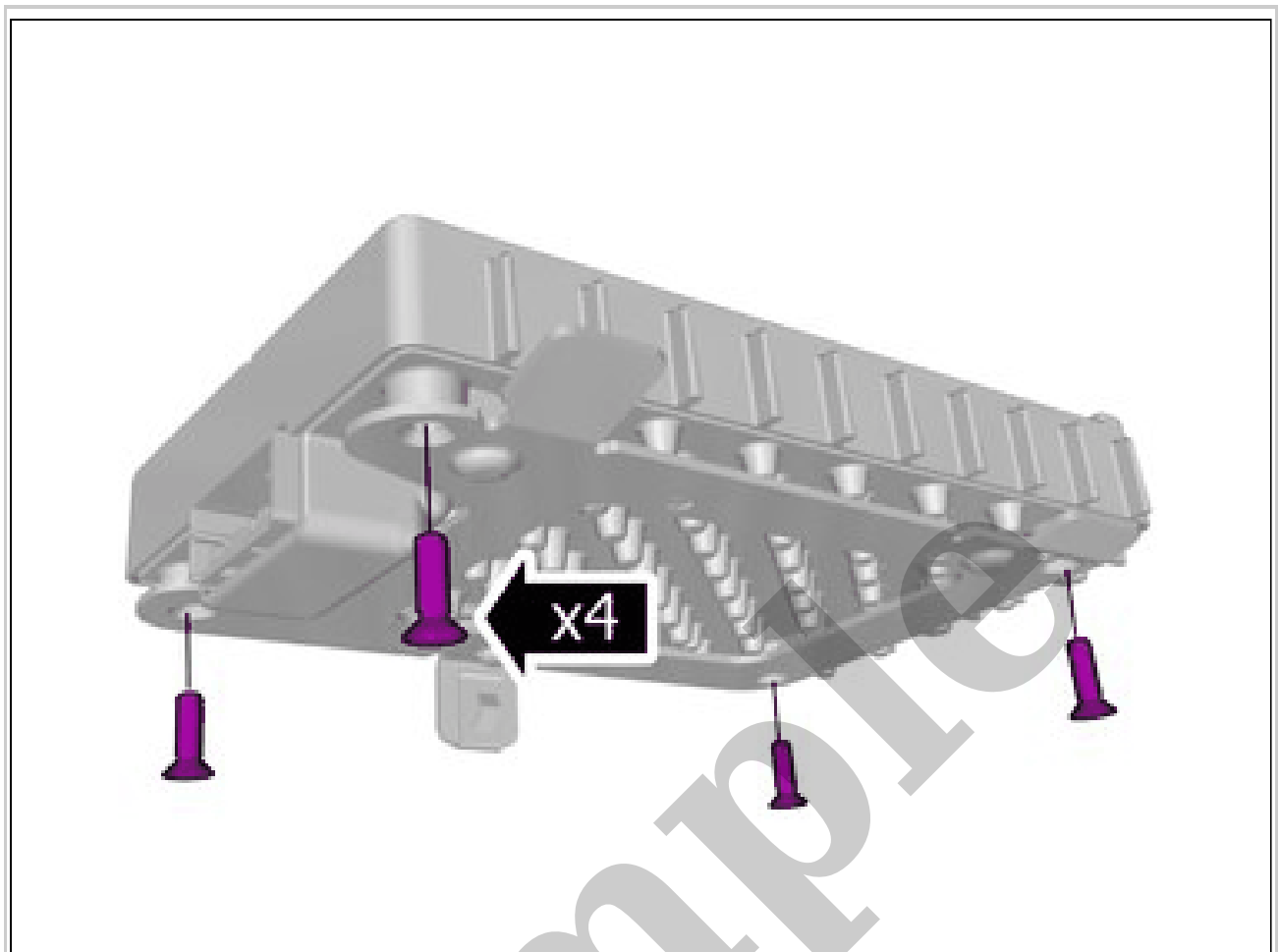
Depress the locking device.  
Disconnect the connector.

### **OBD FIREWALL MODULE > OBD FIREWALL MODULE (OFM) [2018-2020] > INSTALLATION**

To install, reverse the removal procedure.

### **WIRELESS PHONE CHARGER > WIRELESS PHONE CHARGER (WPC) [2018-2022] > REMOVAL**

Set the vehicle to Inactive mode, described in user mode. Refer to: USAGE MODE

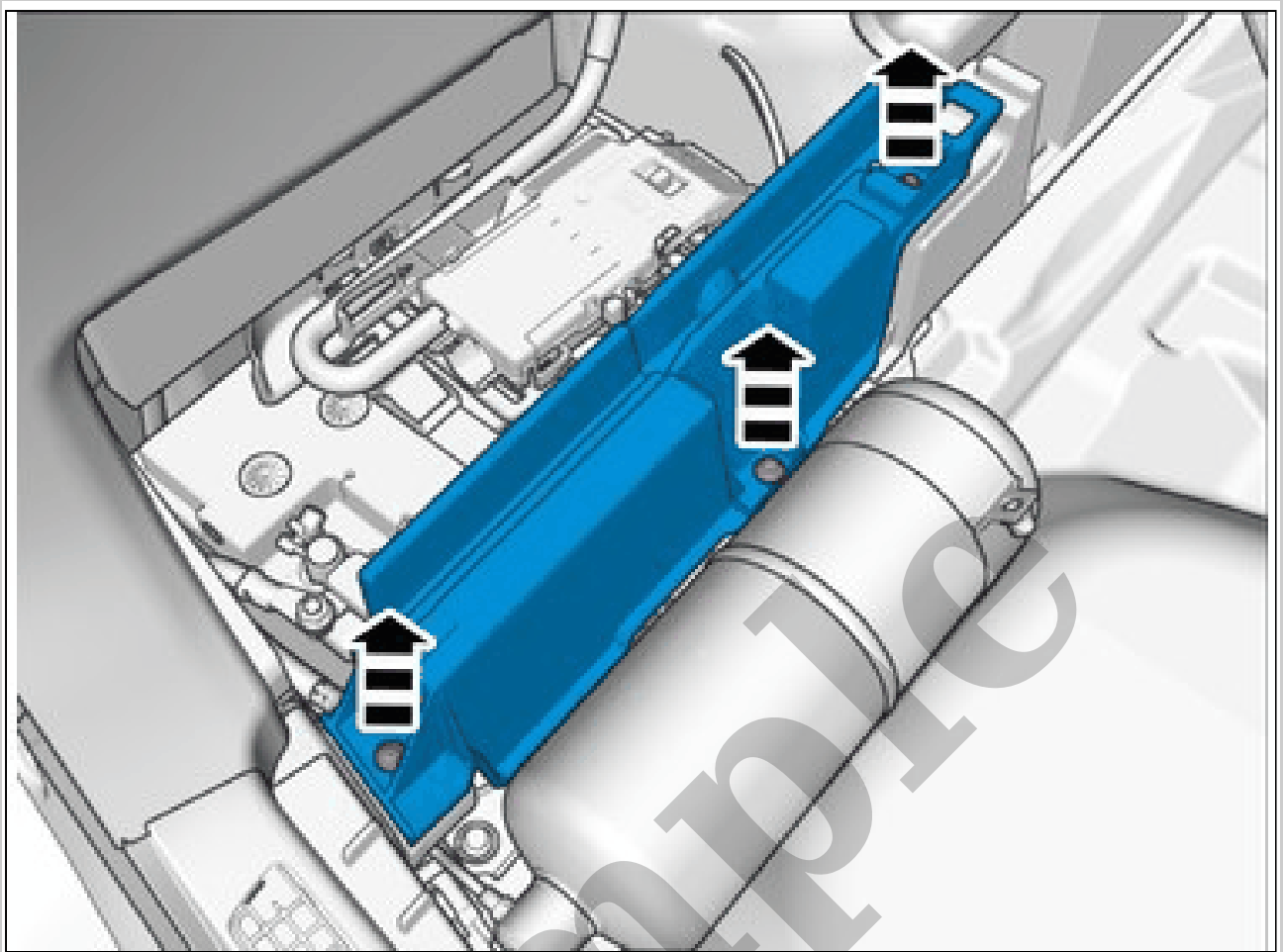


Courtesy of VOLVO CARS CORPORATION

Loosen the screws.

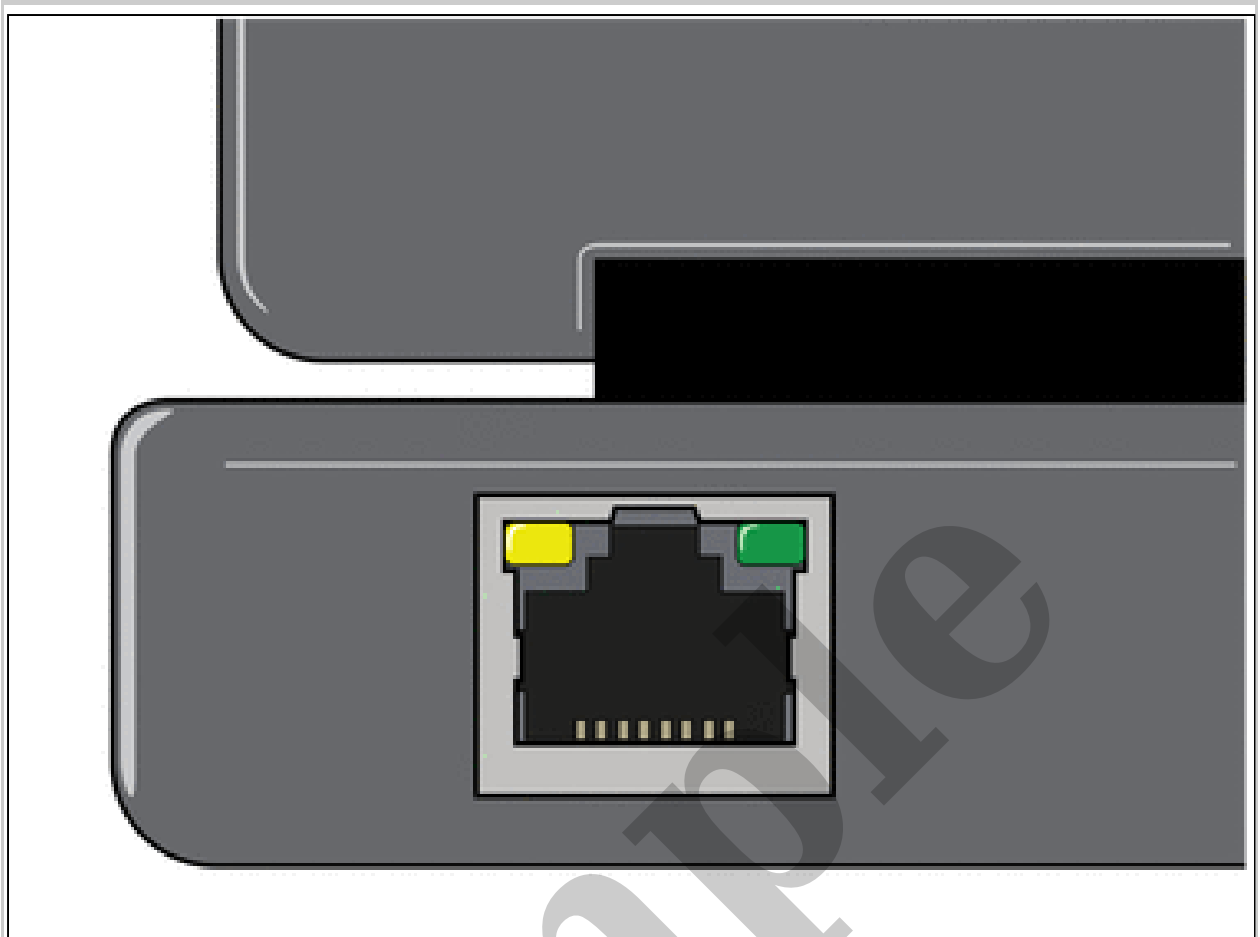
## **WIRELESS PHONE CHARGER > WIRELESS PHONE CHARGER (WPC) [2018-2022] > INSTALLATION**

To install, reverse the removal procedure.



Courtesy of VOLVO CARS CORPORATION

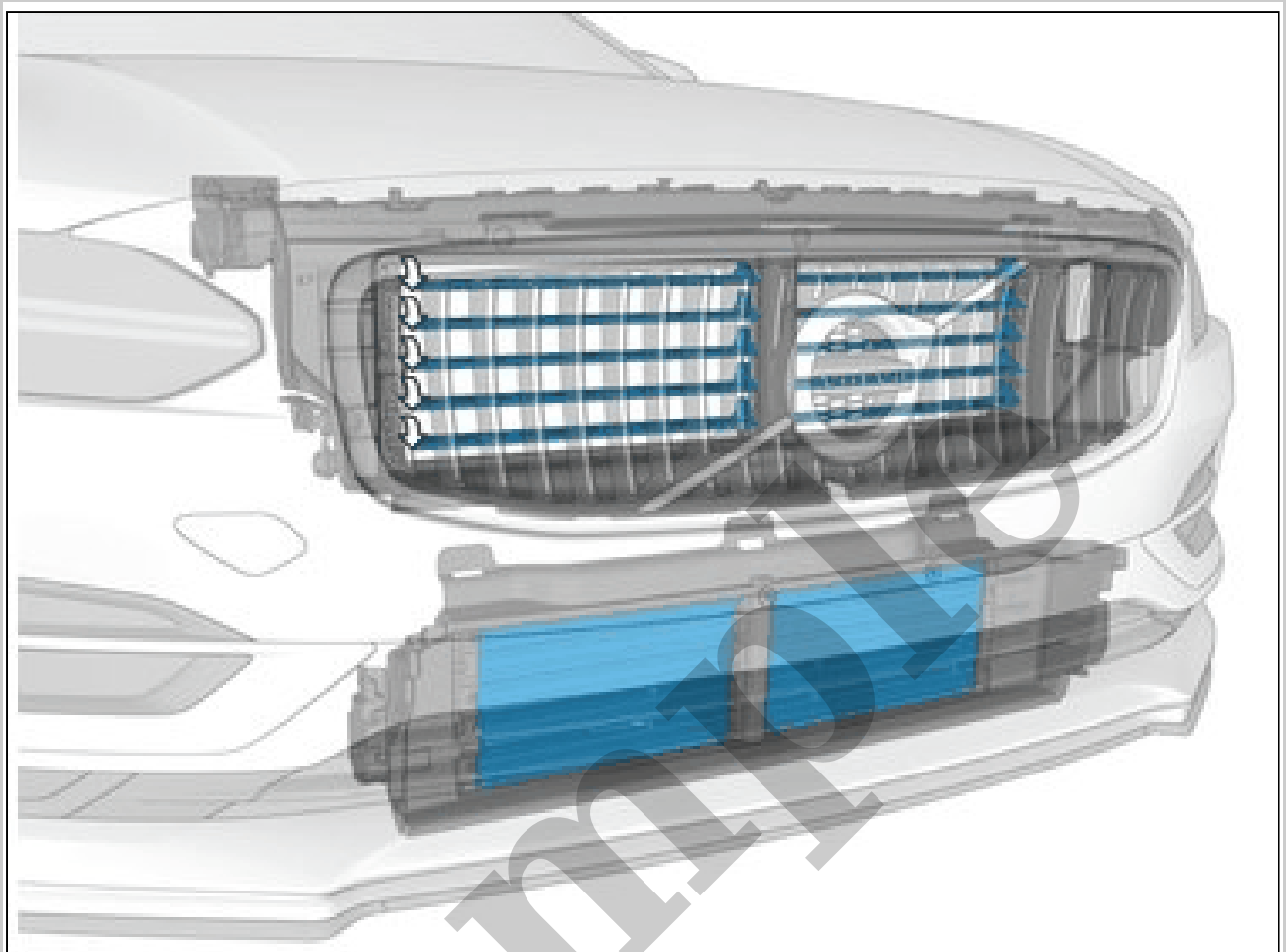
Sample



Courtesy of VOLVO CARS CORPORATION

1. **Continue to step 2**
2.
  1. Fault trace the VOE adapter for an open circuit or broken pins, or try another VOE adapter if available. Try to connect to another vehicle with the VOE adapter to figure out if there is a fault in the adapter or in the vehicle.

## ACTIVE SPOILER SHUTTER MODULE ASSM > ACTIVE SPOILER SHUTTER MODULE ASSM (4/157) [2018-2022] > DESCRIPTION



Courtesy of VOLVO CARS CORPORATION

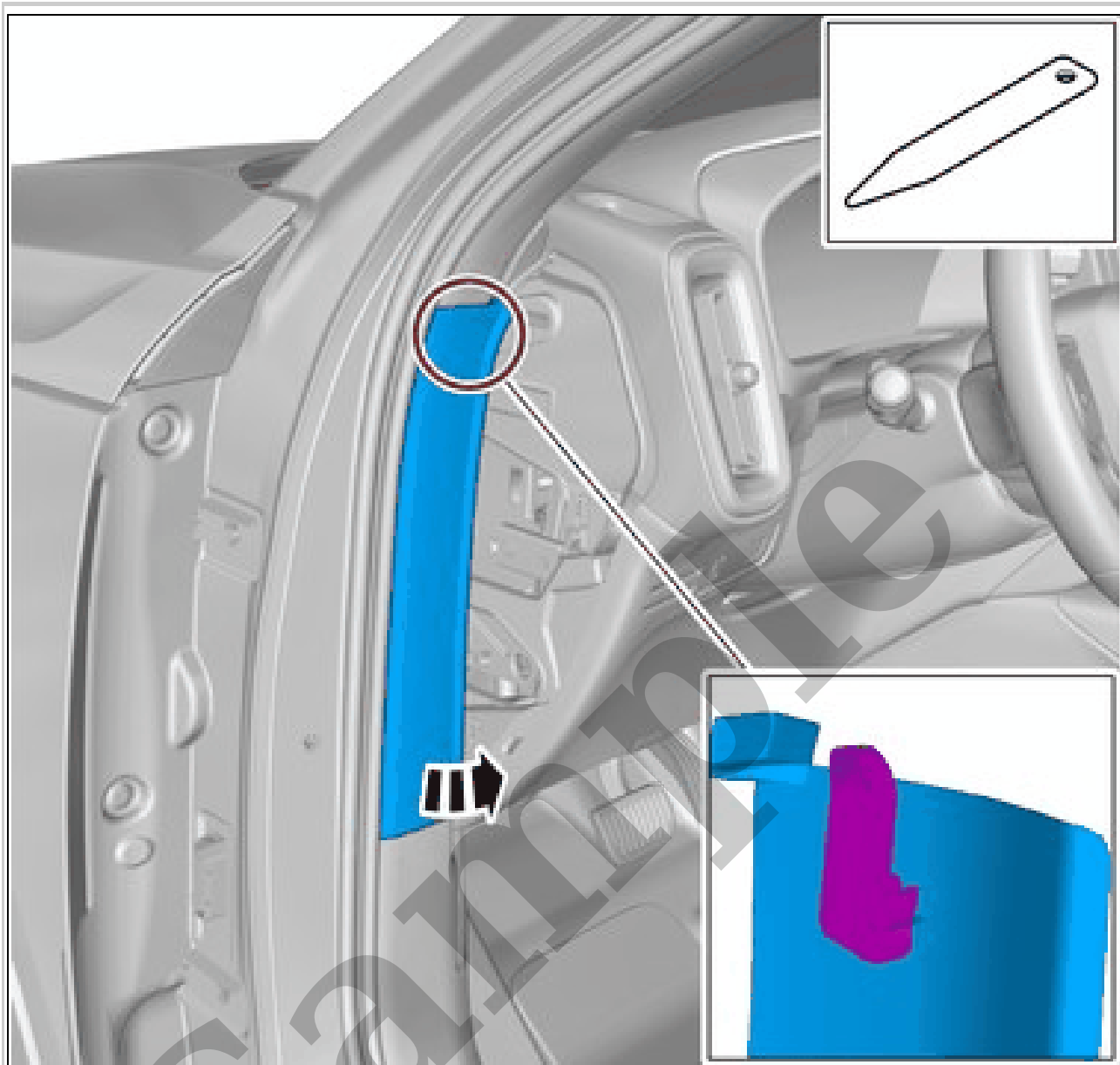
The Active spoiler shutter module ASSM controls the opening and closing of the spoiler shutter.

## ACTIVE SPOILER SHUTTER MODULE ASSM > ACTIVE SPOILER SHUTTER MODULE ASSM (4/157) [2018-2022] > DIAGNOSTIC INFORMATION

The Active spoiler shutter module ASSM has a simplified built-in diagnostic system, which monitors a limited amount of errors. All diagnostic data is sent to the diagnostic tool via the Engine Control Module (ECM). Diagnostic data can include error information, part numbers, calibration results and parameters.

## ACTIVE SPOILER SHUTTER MODULE ASSM > ACTIVE SPOILER SHUTTER MODULE ASSM (4/157) [2018-2022] > CONNECTION AND COMMUNICATION

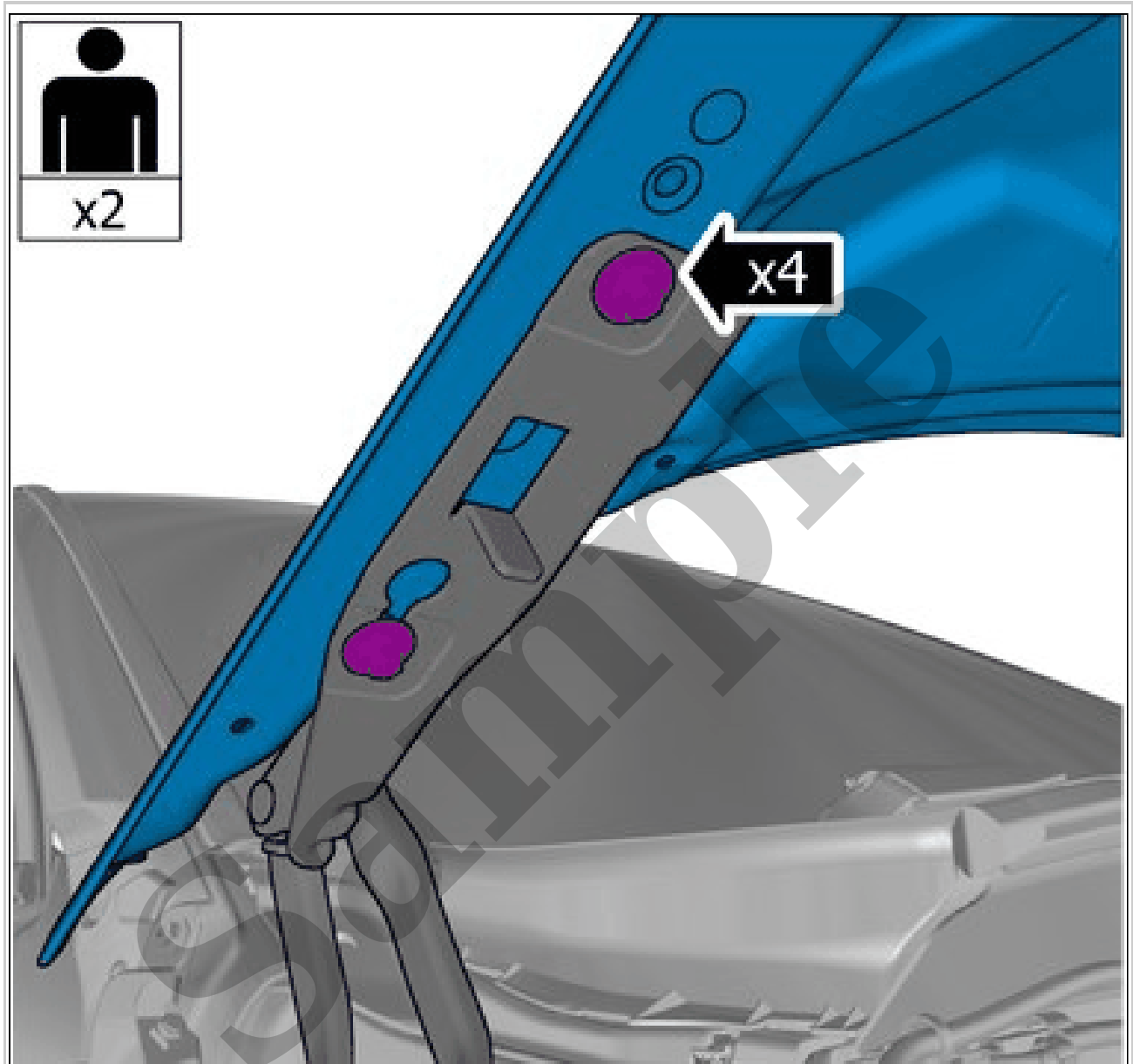
The Active spoiler shutter module ASSM is a LIN slave.



Courtesy of VOLVO CARS CORPORATION

Remove the panel.

**NOTE:** Removal steps in this procedure may contain installation details.



Courtesy of VOLVO CARS CORPORATION

Remove the screws.

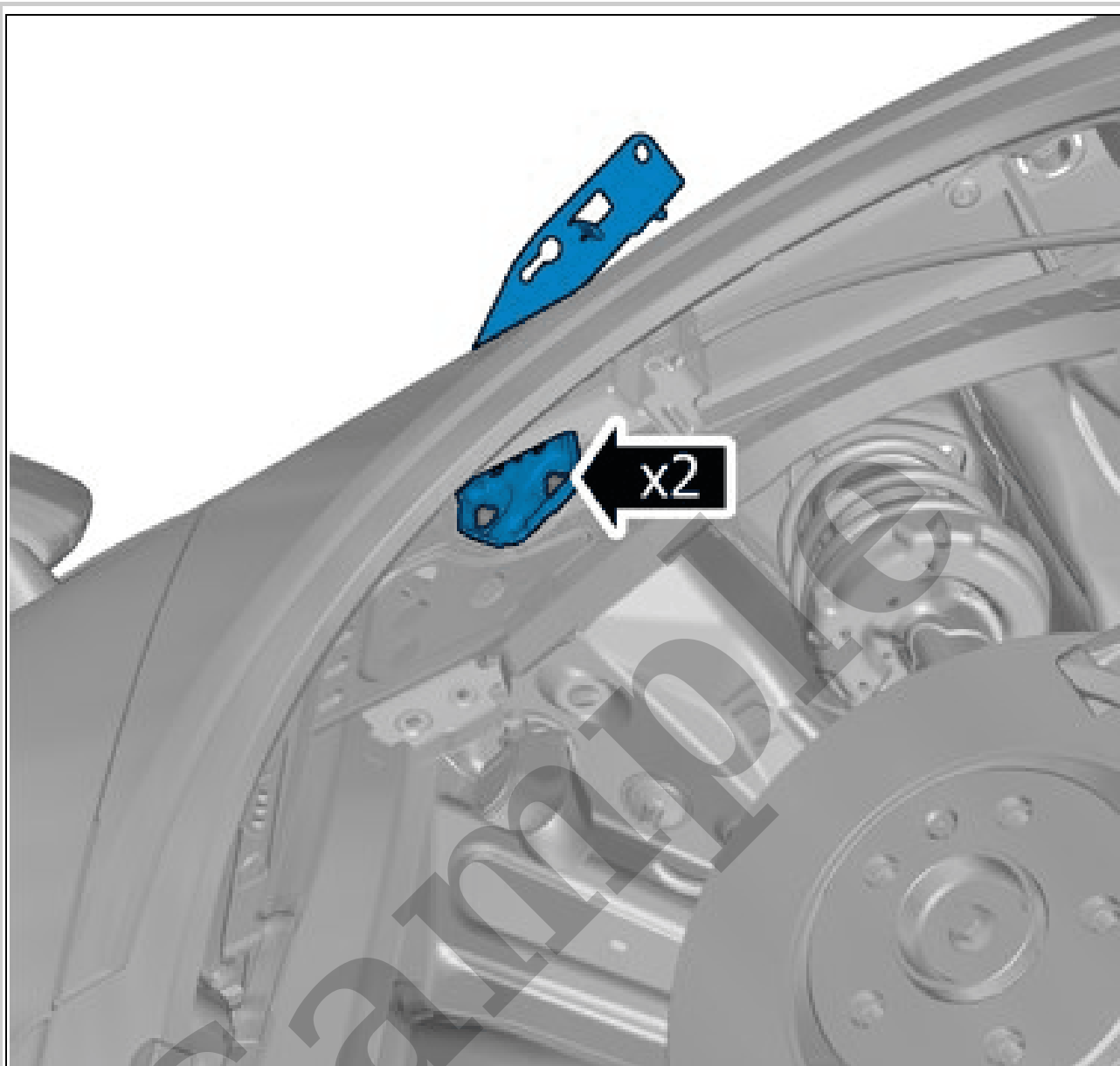
On both sides.

Remove the marked part.

**HINT:** This step may require the aid of another technician.

**Torque:** M8, 24Nm





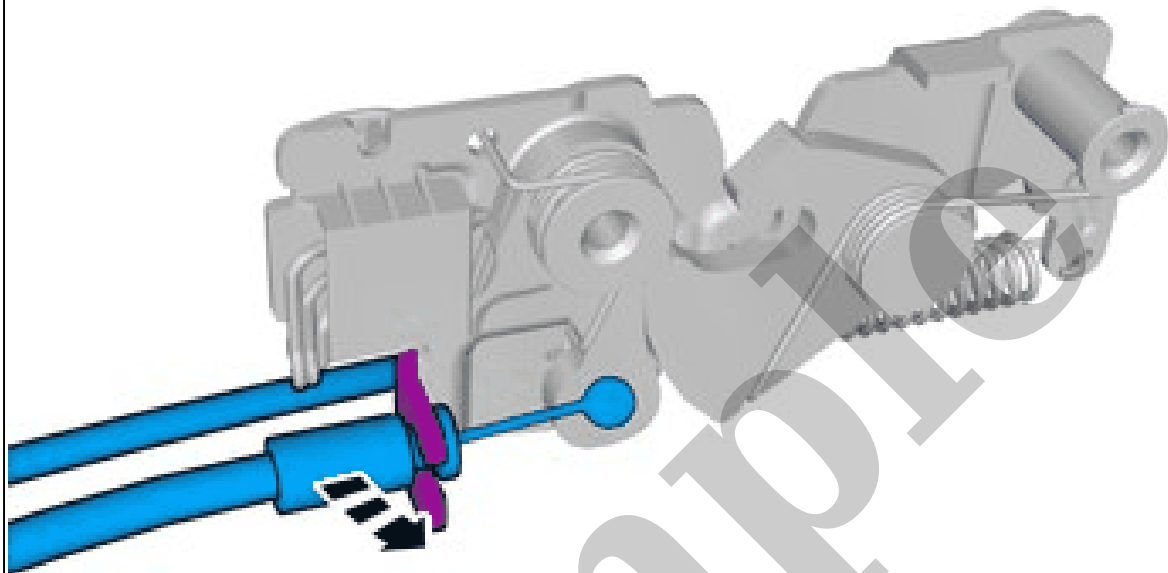
Courtesy of VOLVO CARS CORPORATION

Remove the screws.  
Remove the marked part.

### **HOOD HINGE > HOOD HINGE [2018-2022] > INSTALLATION**

To install, reverse the removal procedure.

### **HOOD LATCH > HOOD LATCH [2018-2021 | 2021-2022, B4204T18; B4204T47] > REMOVAL**



Courtesy of VOLVO CARS CORPORATION

Release the cable.

## HOOD LATCH > HOOD LATCH [2018-2021 | 2021-2022, B4204T18; B4204T47] > INSTALLATION

To install, reverse the removal procedure.

## HOOD LATCH > HOOD LATCH [2021-2022, E400V6] > REMOVAL

**NOTE:** *Removal steps in this procedure may contain*