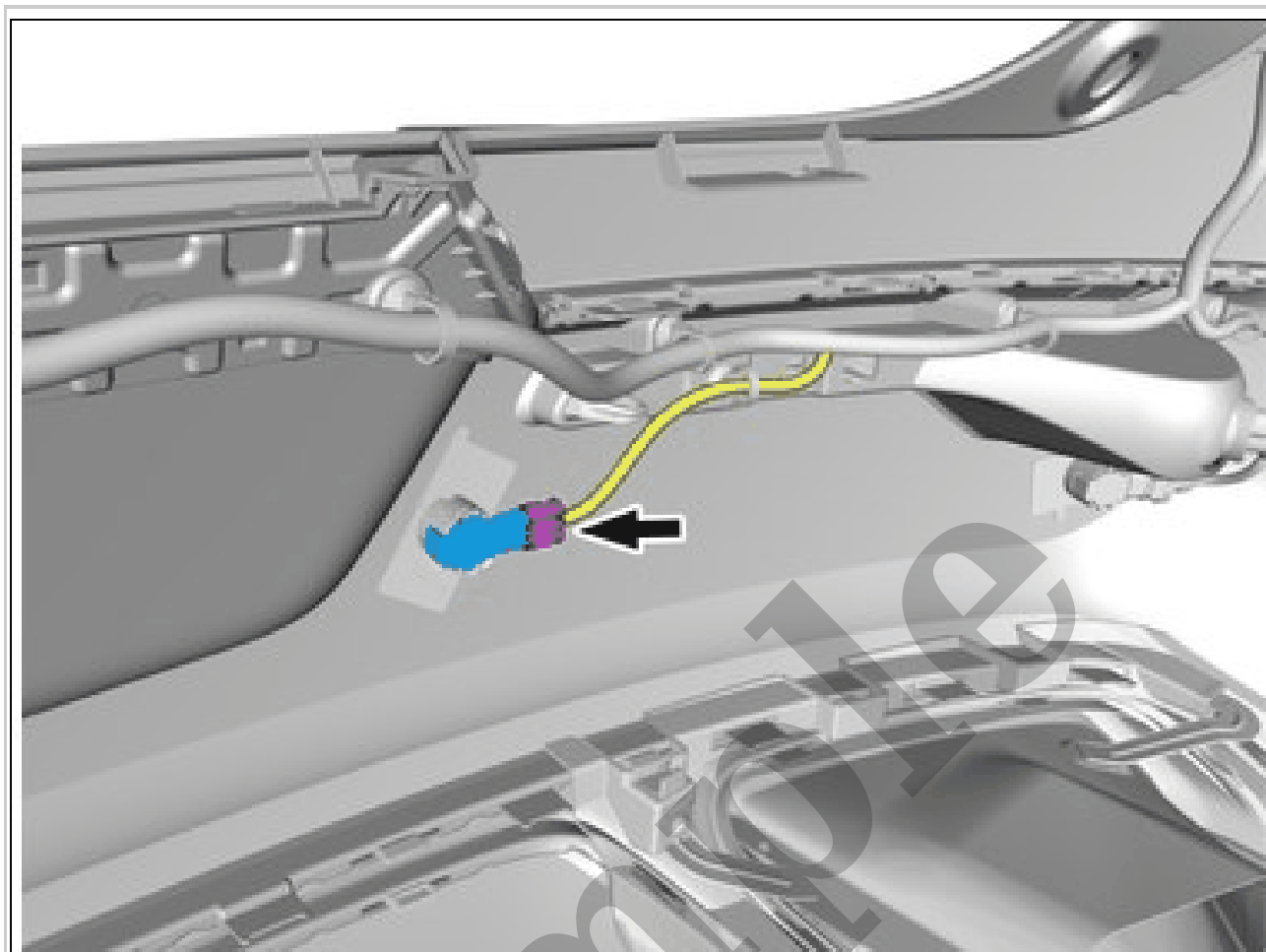


Your Ultimate Source for OEM Repair Manuals

FactoryManuals.net is a great resource for anyone who wants to save money on repairs by doing their own work. The manuals provide detailed instructions and diagrams that make it easy to understand how to fix a vehicle.

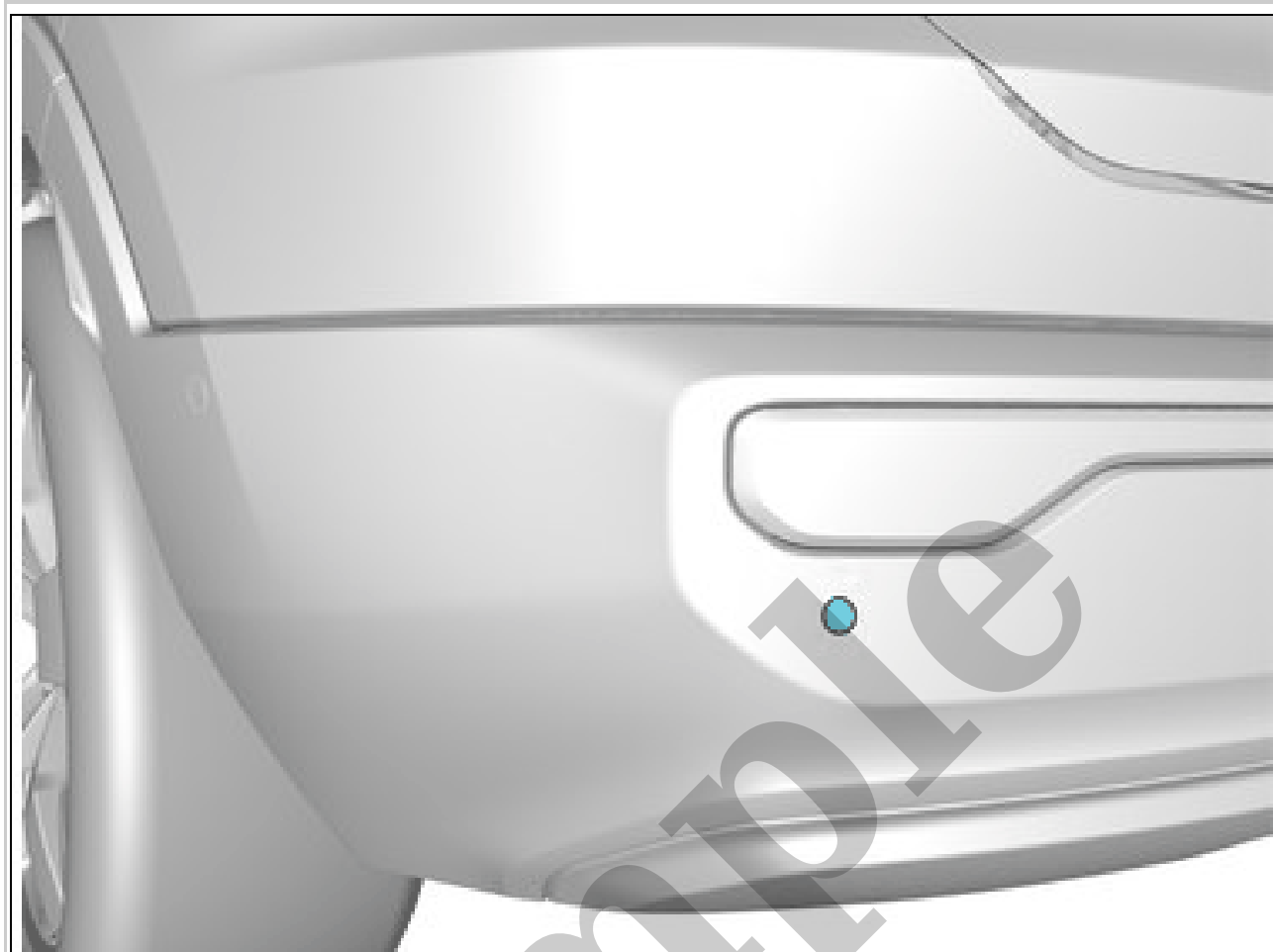
2010 VOLVO XC70 OEM Service and Repair Workshop Manual

[Go to manual page](#)



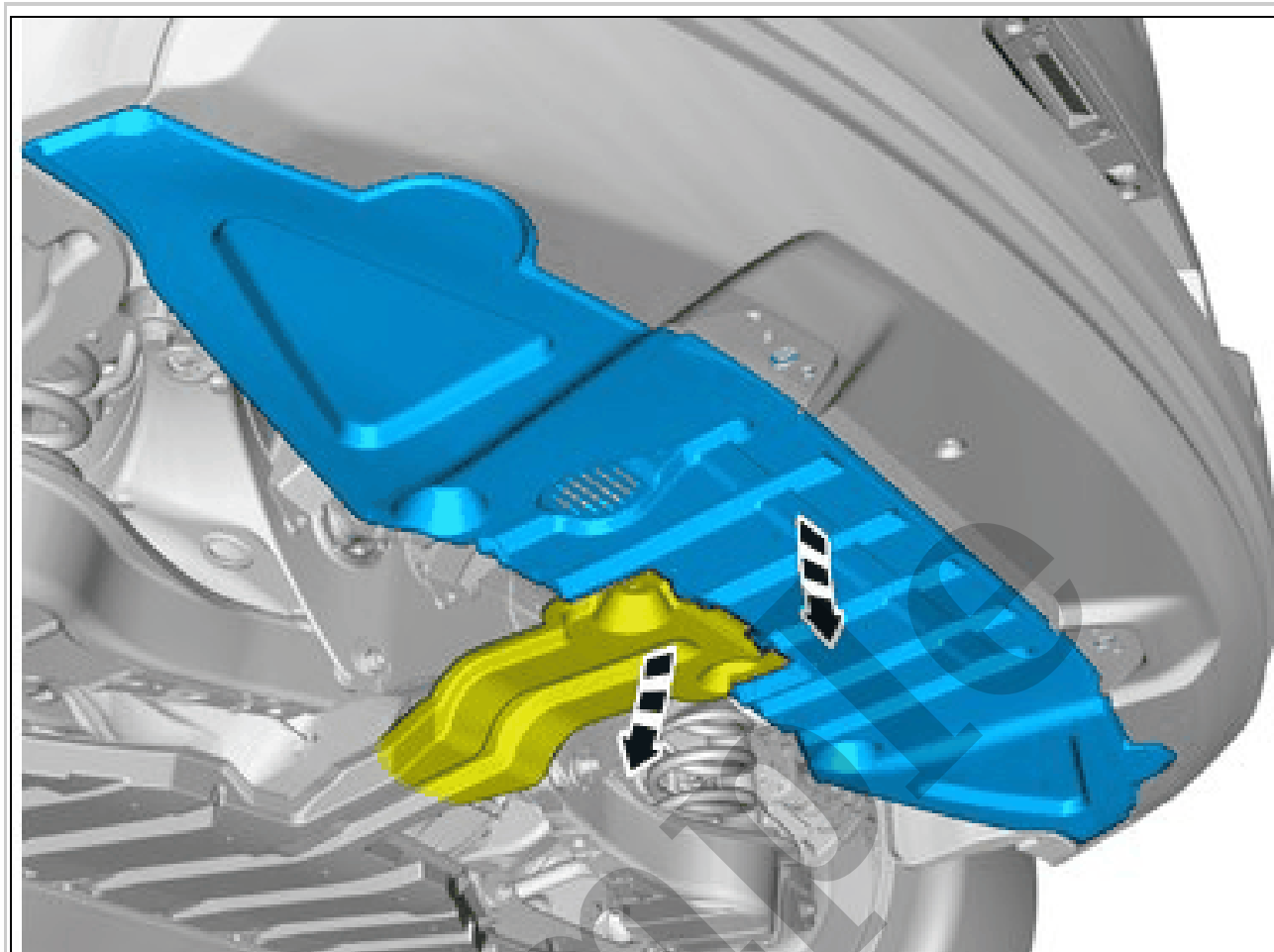
Courtesy of VOLVO CARS CORPORATION

Disconnect the connector.



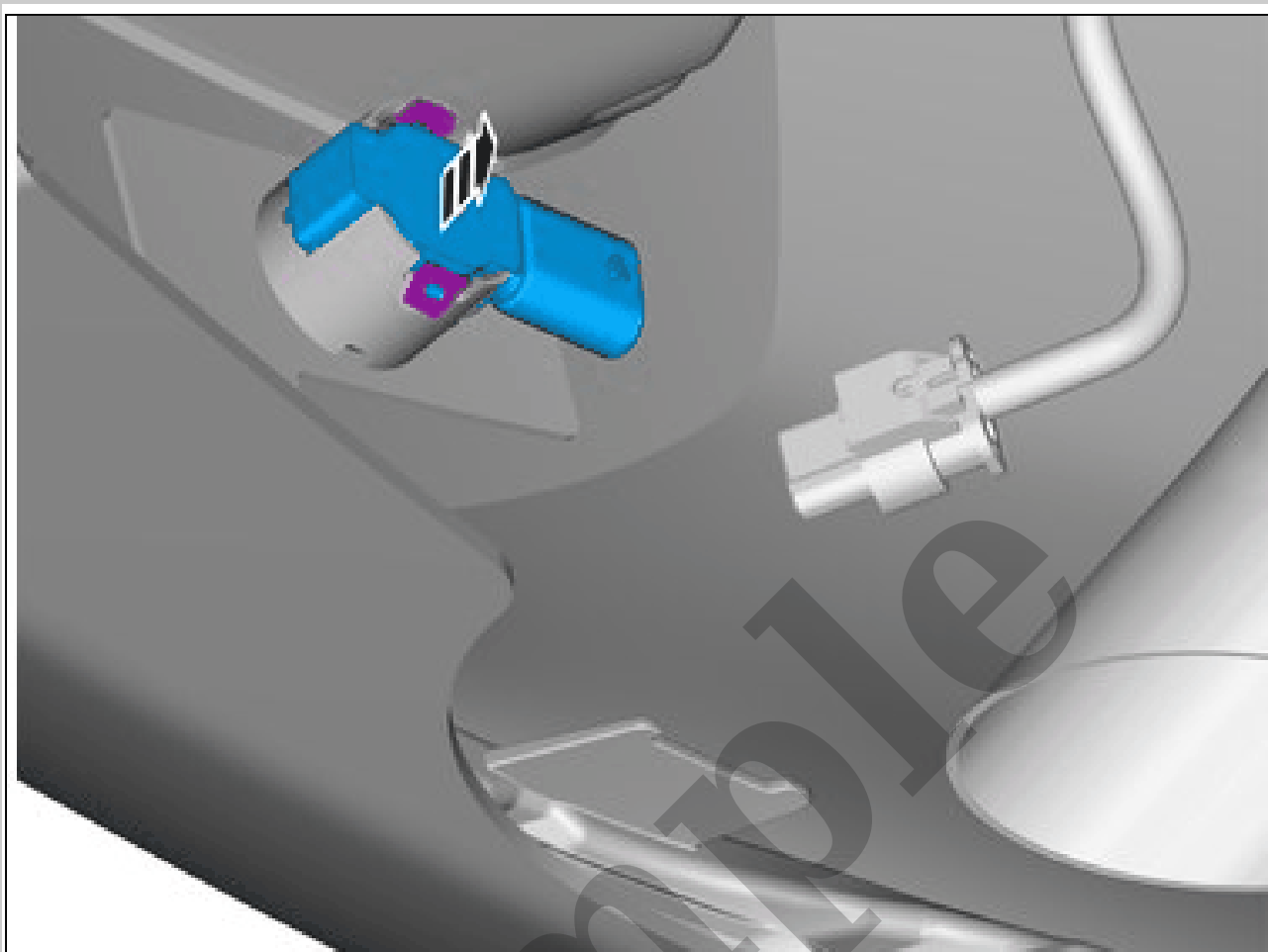
Courtesy of VOLVO CARS CORPORATION

NOTE: *Orientation view*



Courtesy of VOLVO CARS CORPORATION

Fold marked part aside.
Remove the marked part.



Courtesy of VOLVO CARS CORPORATION

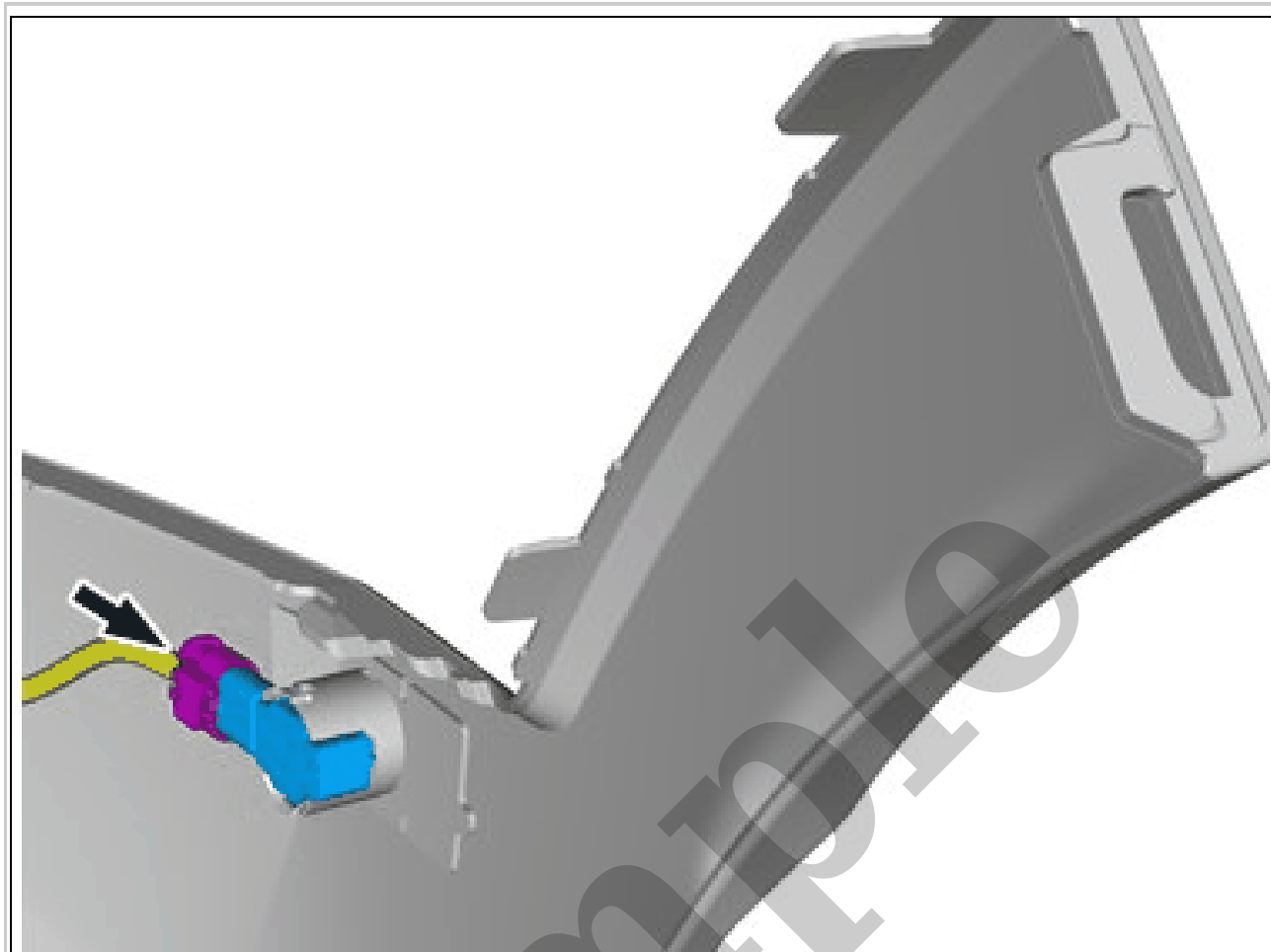
Release the catches.
Remove the marked part.

**PARKING ASSISTANCE SENSOR, REAR, OUTER > PARKING ASSISTANCE SENSOR,
REAR, OUTER [2021-2022, B4204T18 | 2021-2022, B4204T47] > INSTALLATION**

To install, reverse the removal procedure.

**PARKING ASSISTANCE SENSOR, REAR, SIDE > PARKING ASSISTANCE SENSOR,
REAR, SIDE [2021 | 2022, B4204T18 | 2022, B4204T47] > REMOVAL**

Set the vehicle to Inactive mode, described in user mode. Refer to: USAGE MODE



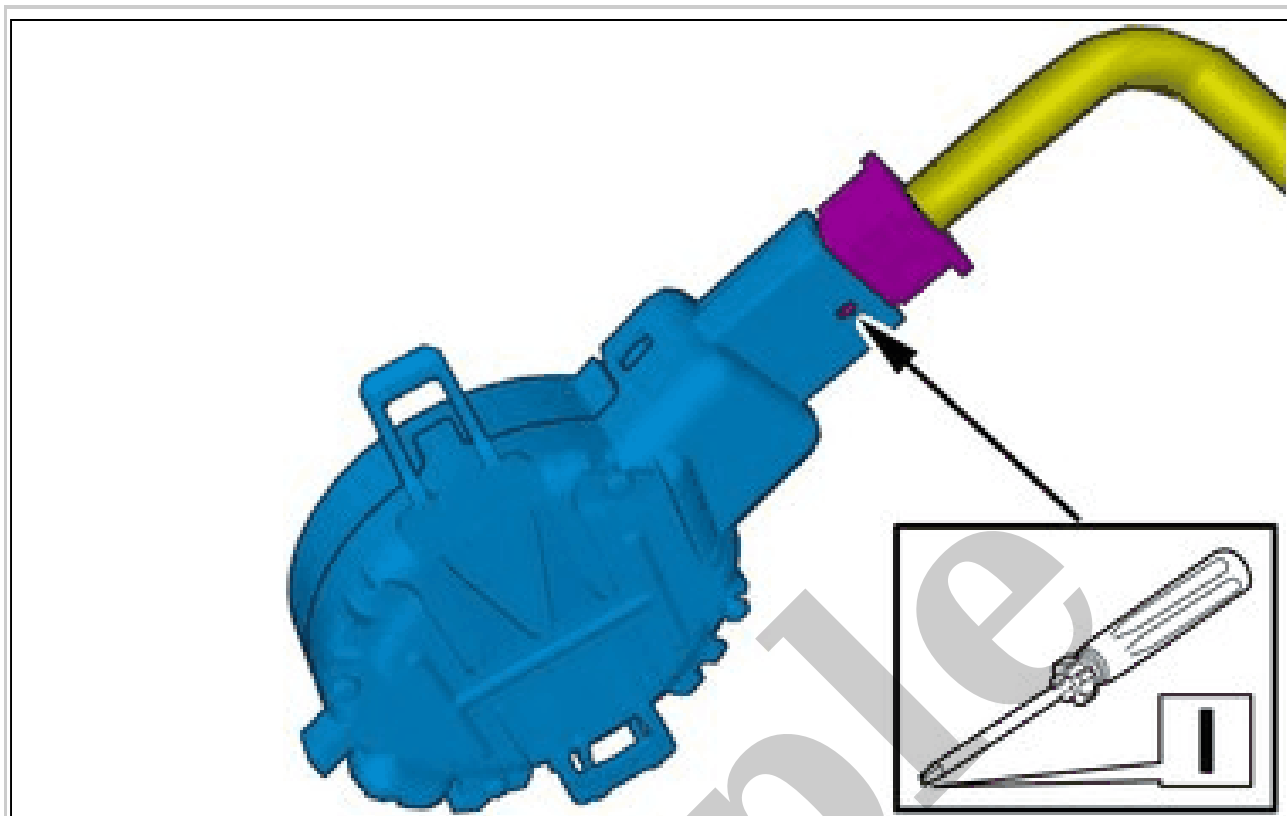
Courtesy of VOLVO CARS CORPORATION

Disconnect the connector.



Courtesy of VOLVO CARS CORPORATION

Remove the marked part.



Courtesy of VOLVO CARS CORPORATION

Disconnect the connector.

Use: Electrician's screwdriver



Courtesy of VOLVO CARS CORPORATION

CAUTION: *The silicon surface must not be touched, any contamination of the surface will damage the sensor.*



Courtesy of VOLVO CARS CORPORATION

Remove the marked part.