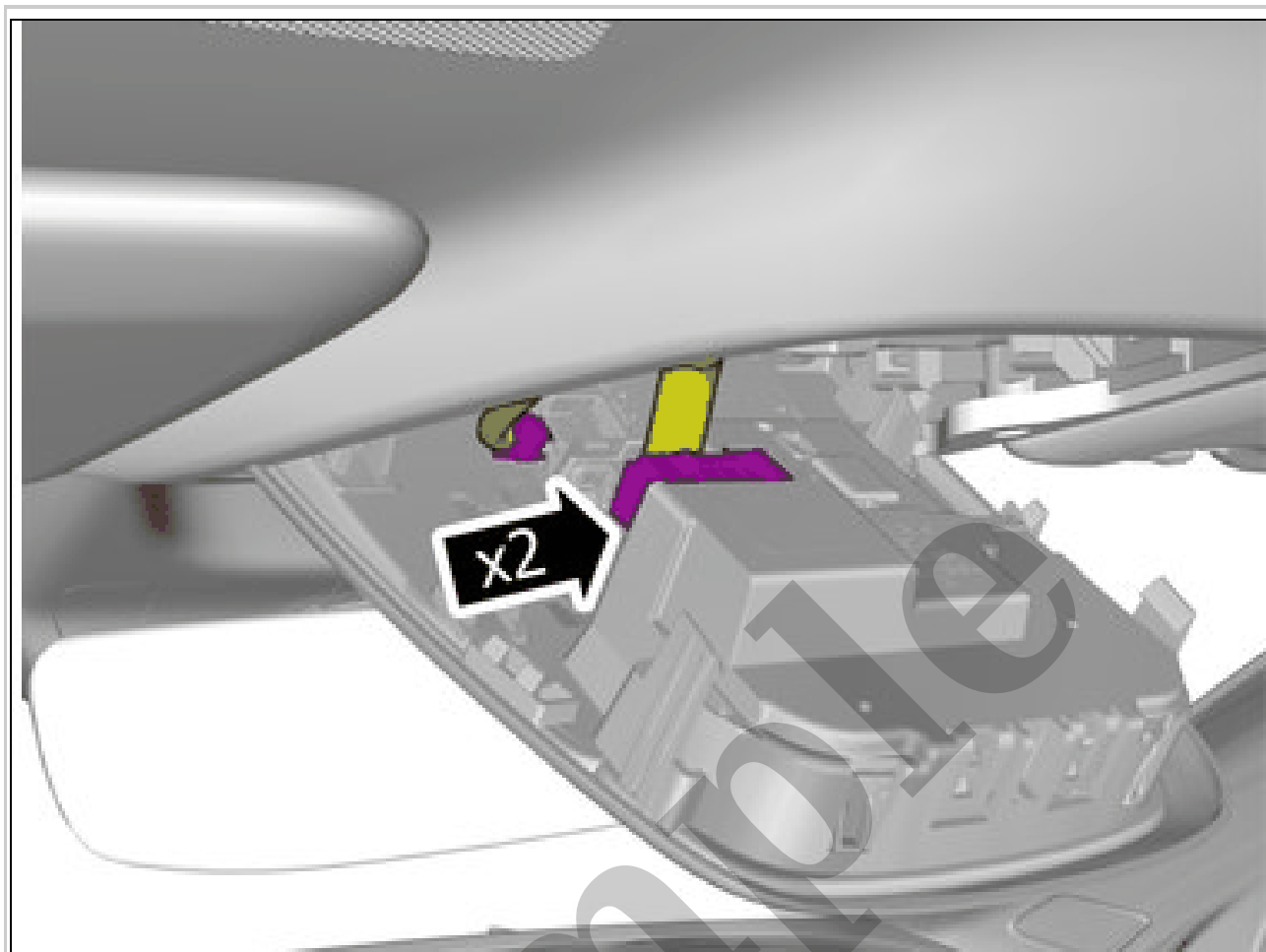


Your Ultimate Source for OEM Repair Manuals

FactoryManuals.net is a great resource for anyone who wants to save money on repairs by doing their own work. The manuals provide detailed instructions and diagrams that make it easy to understand how to fix a vehicle.

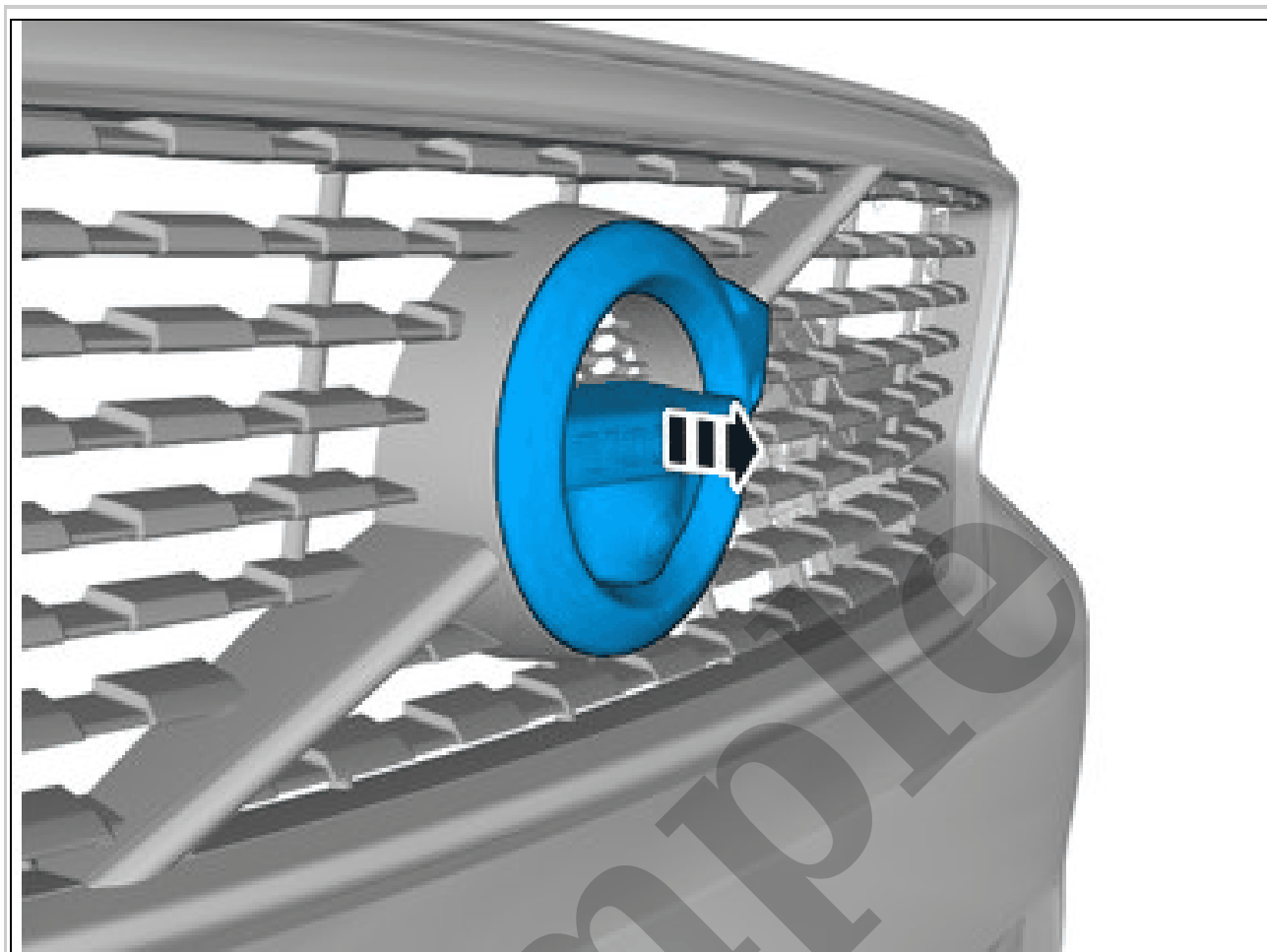
2010 VOLVO V70 OEM Service and Repair Workshop Manual

[Go to manual page](#)



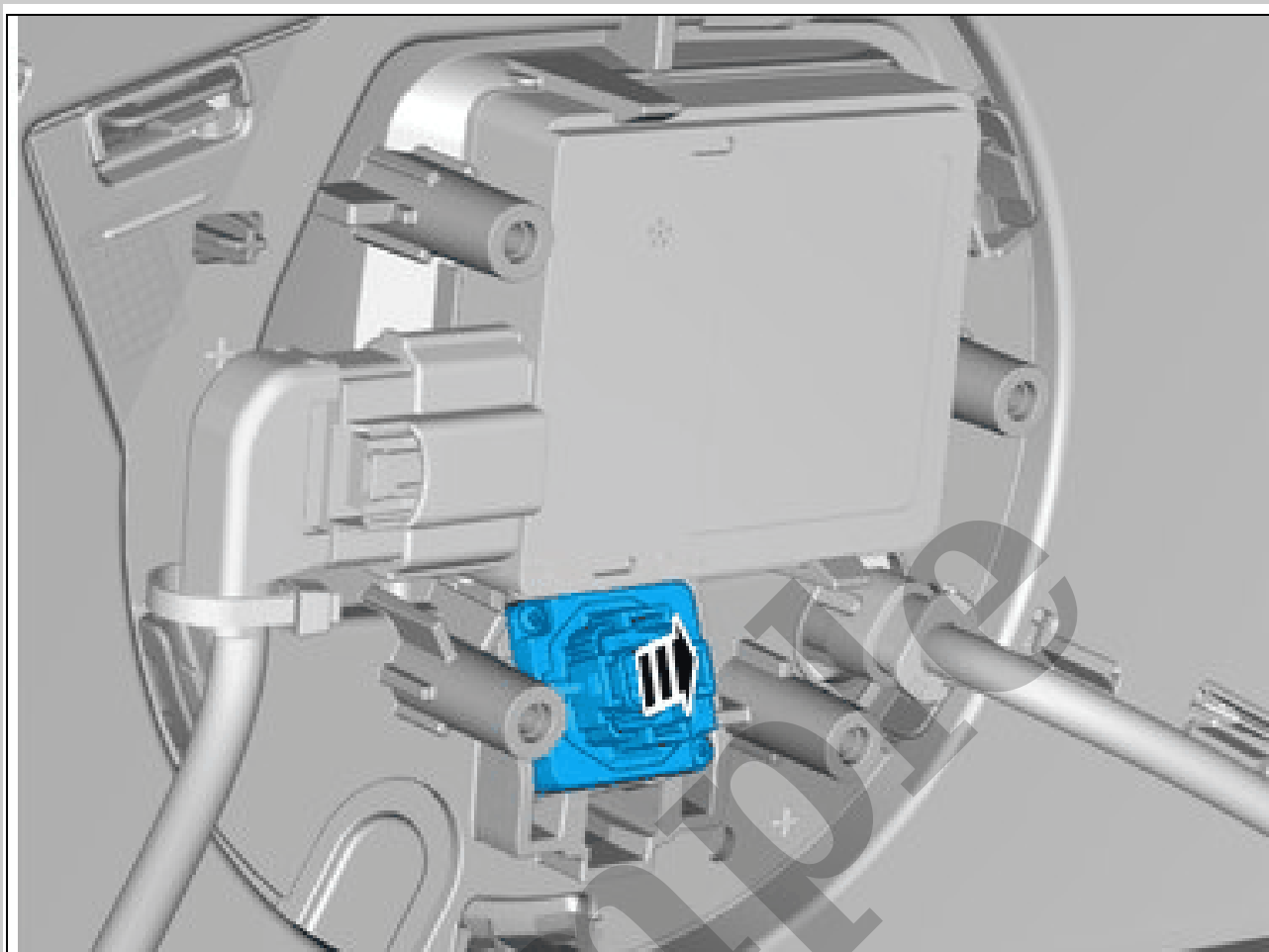
Courtesy of VOLVO CARS CORPORATION

Disconnect the connectors.



Courtesy of VOLVO CARS CORPORATION

Remove the marked part.



Courtesy of VOLVO CARS CORPORATION

Remove the marked part.

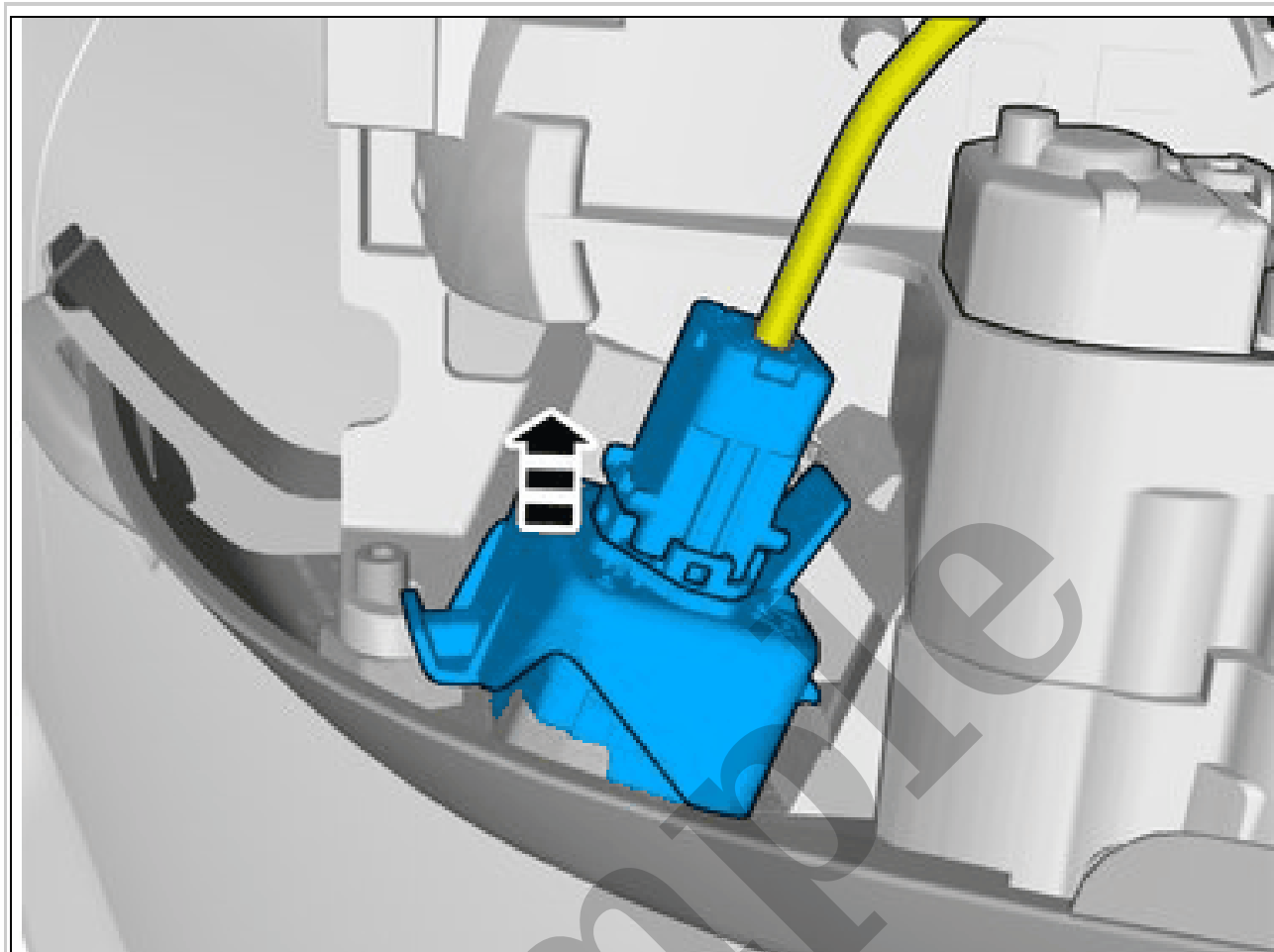
PARKING ASSISTANCE CAMERA, FRONT > PARKING ASSISTANCE CAMERA, FRONT [2021-2022, E400V6] > INSTALLATION

To install, reverse the removal procedure.

Calibrate WAM according to: Diagnostics / Components / Control modules /Wide Angle Vision Module (WAM) / Diagnostic sequences / Calibrating parking assistance cameras

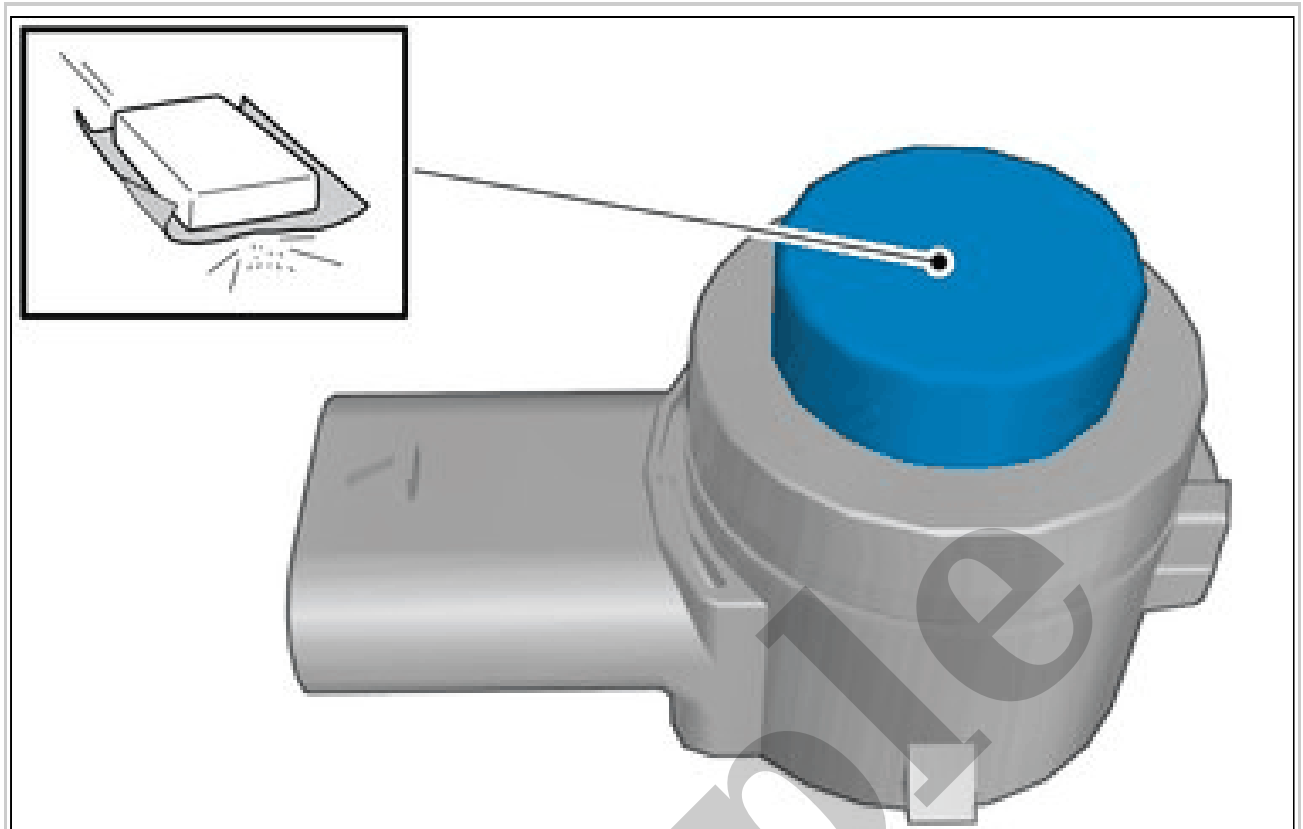
PARKING ASSISTANCE CAMERA, REAR > PARKING ASSISTANCE CAMERA, REAR [2018-2022] > REMOVAL

Set the vehicle to Inactive mode, described in user mode. Refer to: USAGE MODE



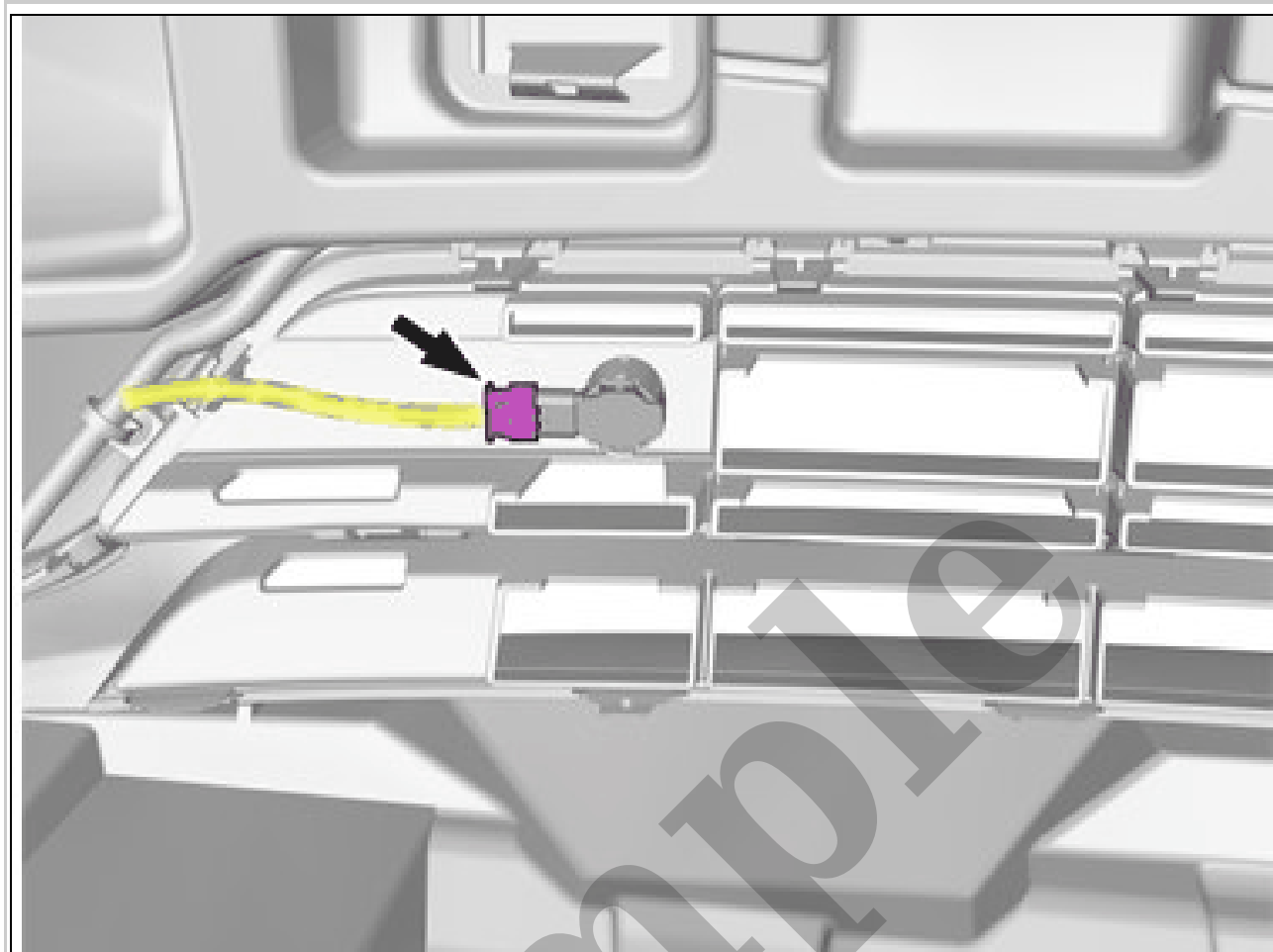
Courtesy of VOLVO CARS CORPORATION

Remove the marked part.



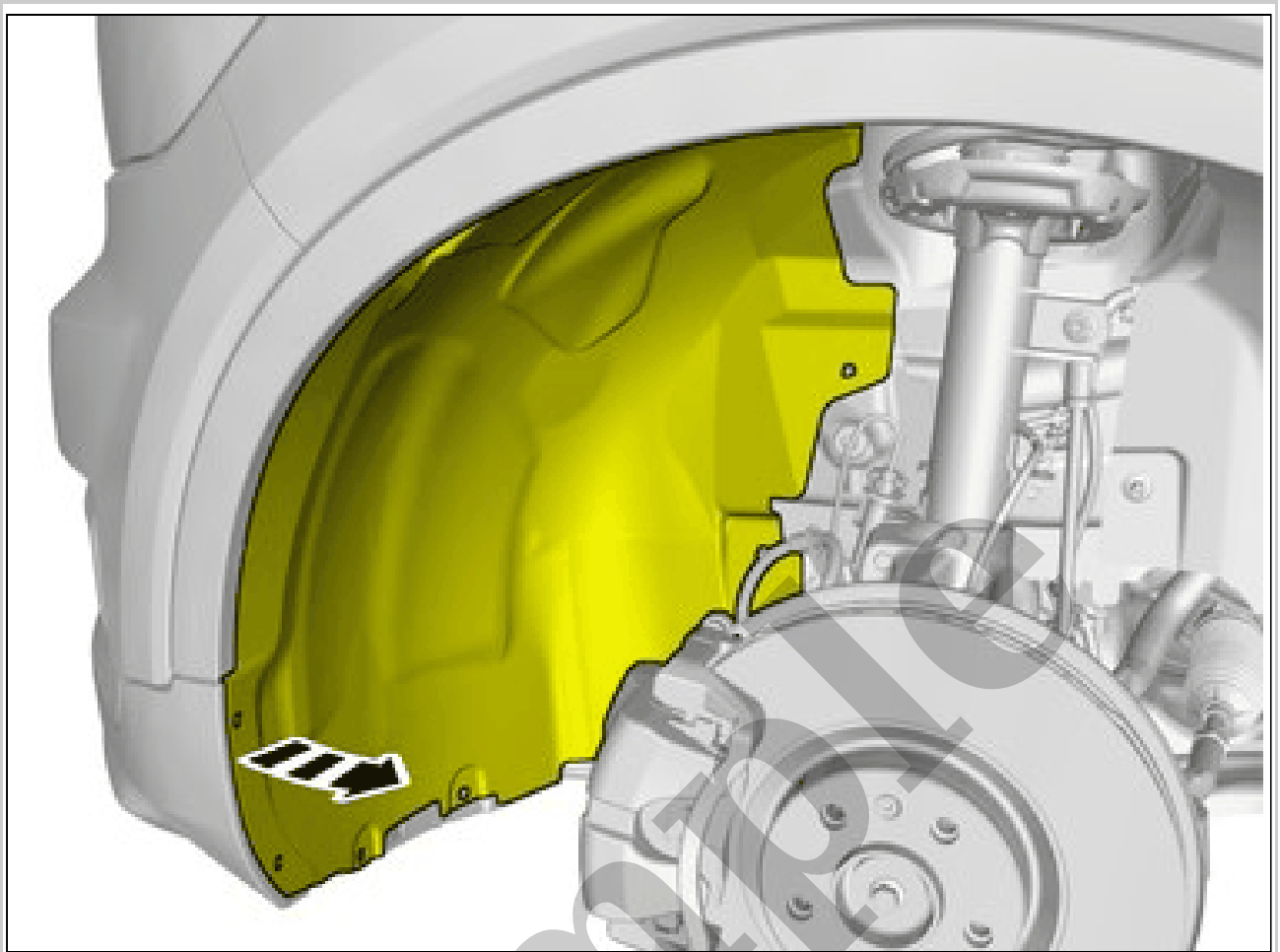
Courtesy of VOLVO CARS CORPORATION

Matt the surface gently.
Use: Sand paper P1000,



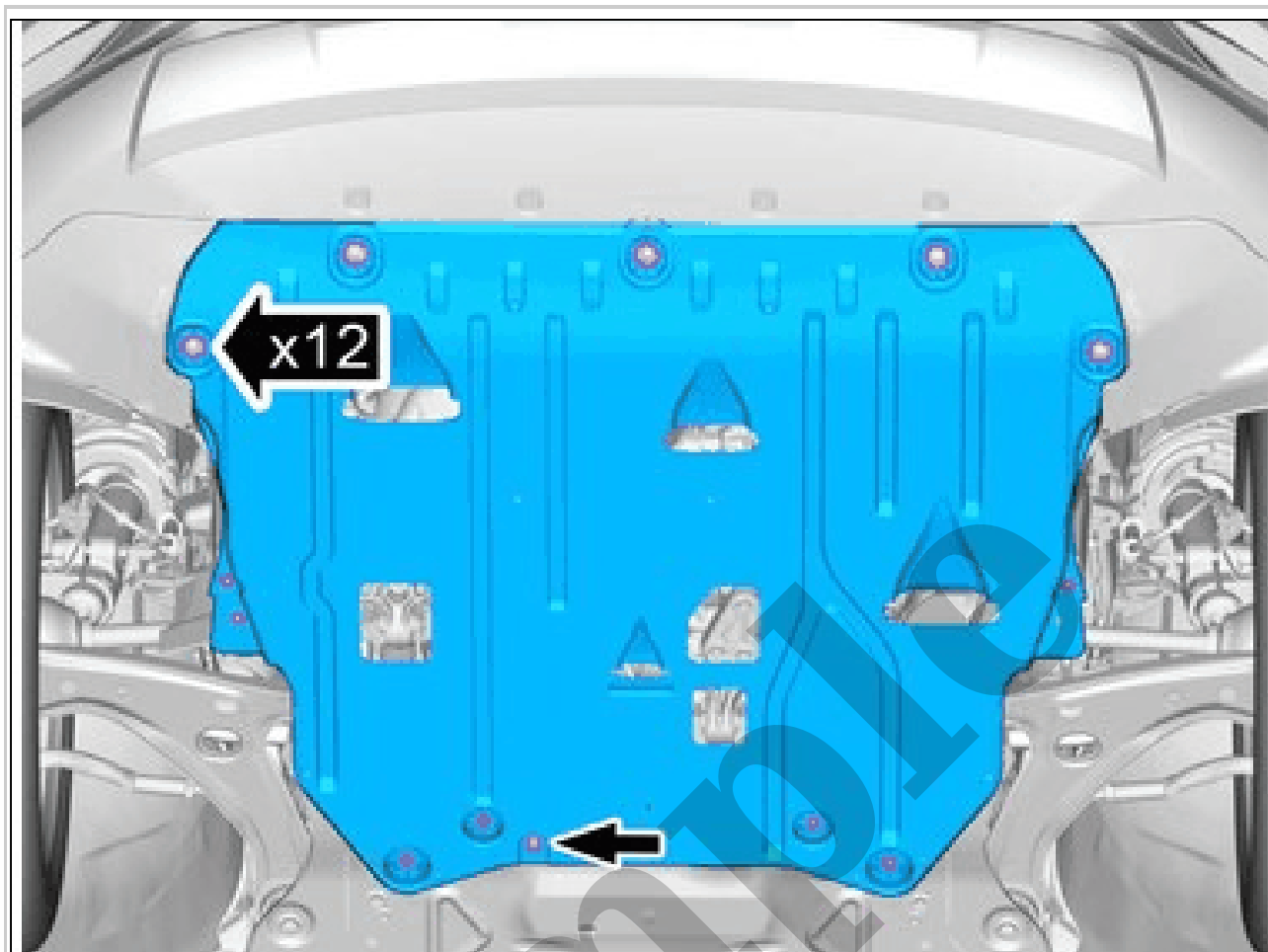
Courtesy of VOLVO CARS CORPORATION

Disconnect the connector.



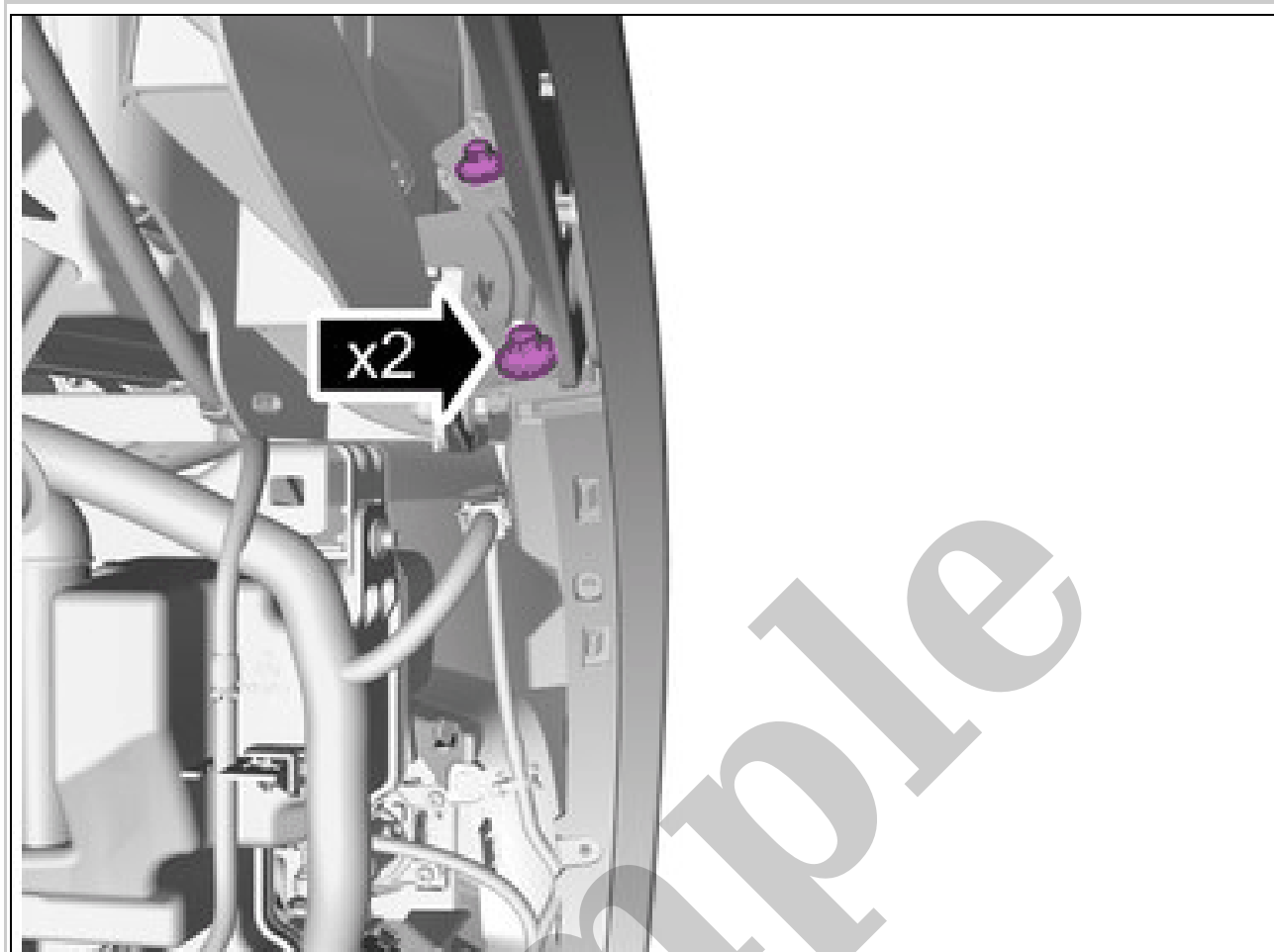
Courtesy of VOLVO CARS CORPORATION

Fold the wing liner aside.



Courtesy of VOLVO CARS CORPORATION

- Remove the screws.
- Loosen the clip.
- Remove the marked part.



Courtesy of VOLVO CARS CORPORATION

Remove the screws.

Torque: Bracket to front fender, 6Nm