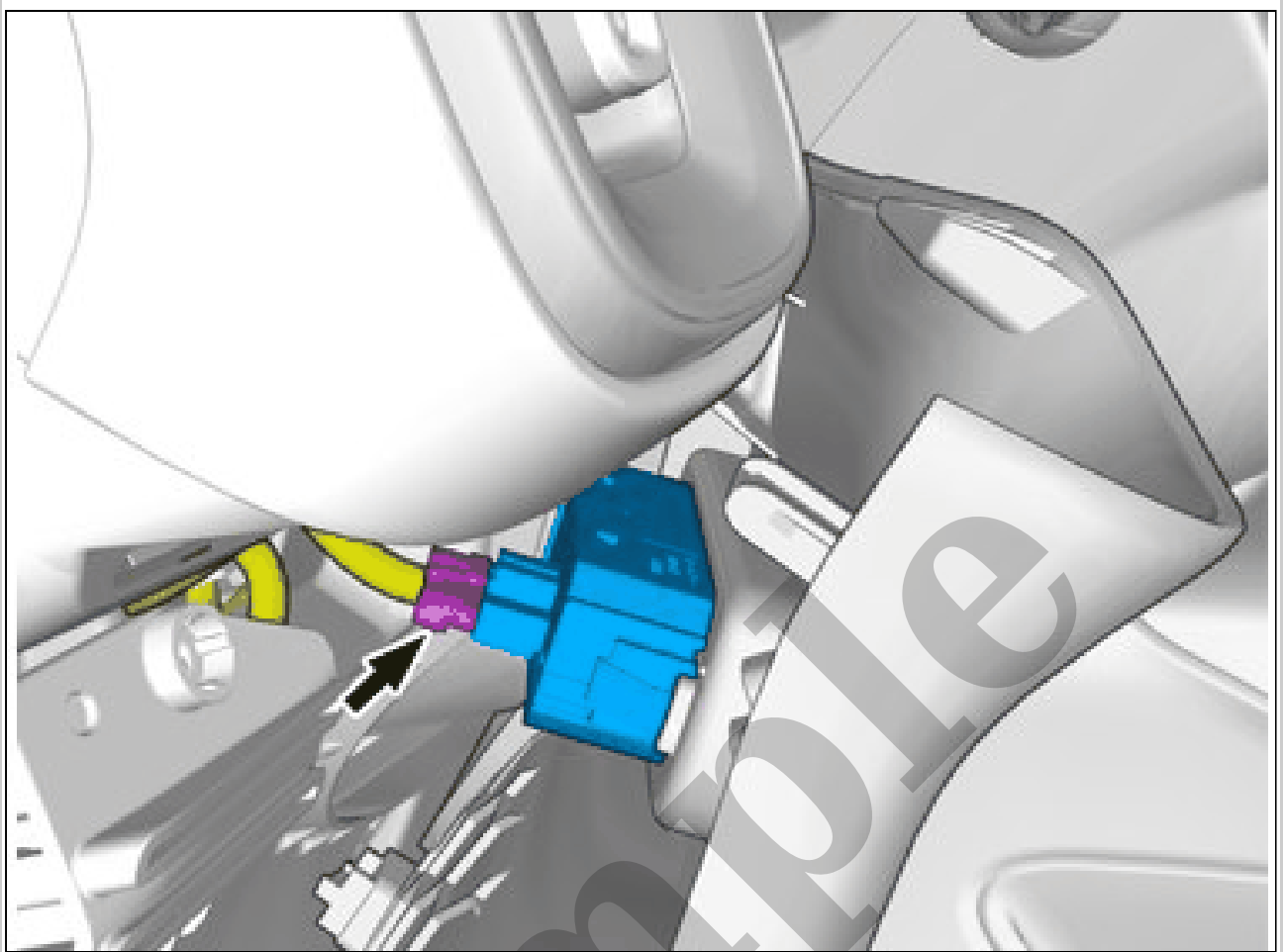


Your Ultimate Source for OEM Repair Manuals

FactoryManuals.net is a great resource for anyone who wants to save money on repairs by doing their own work. The manuals provide detailed instructions and diagrams that make it easy to understand how to fix a vehicle.

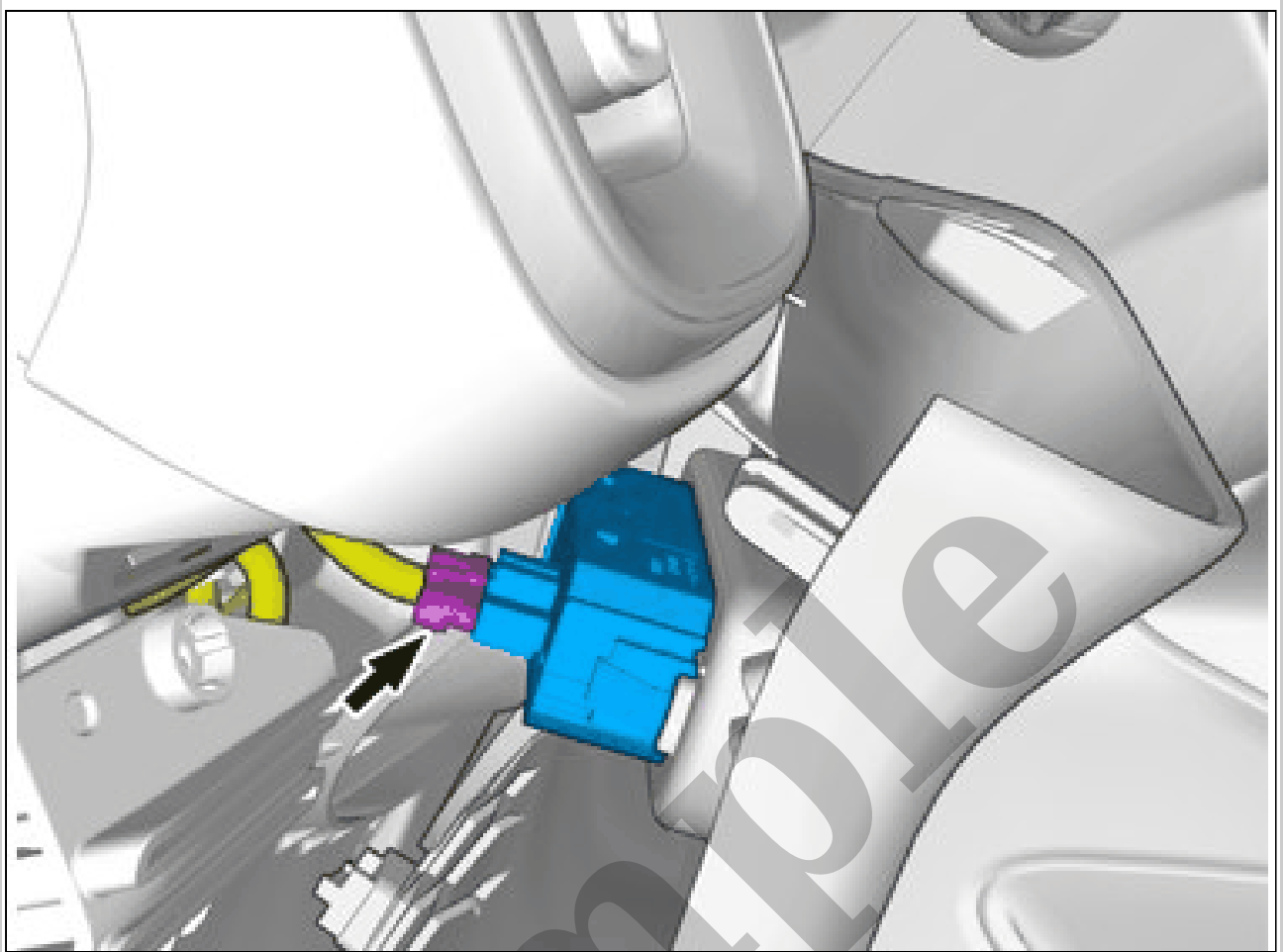
2010 VOLVO V50 OEM Service and Repair Workshop Manual

[Go to manual page](#)



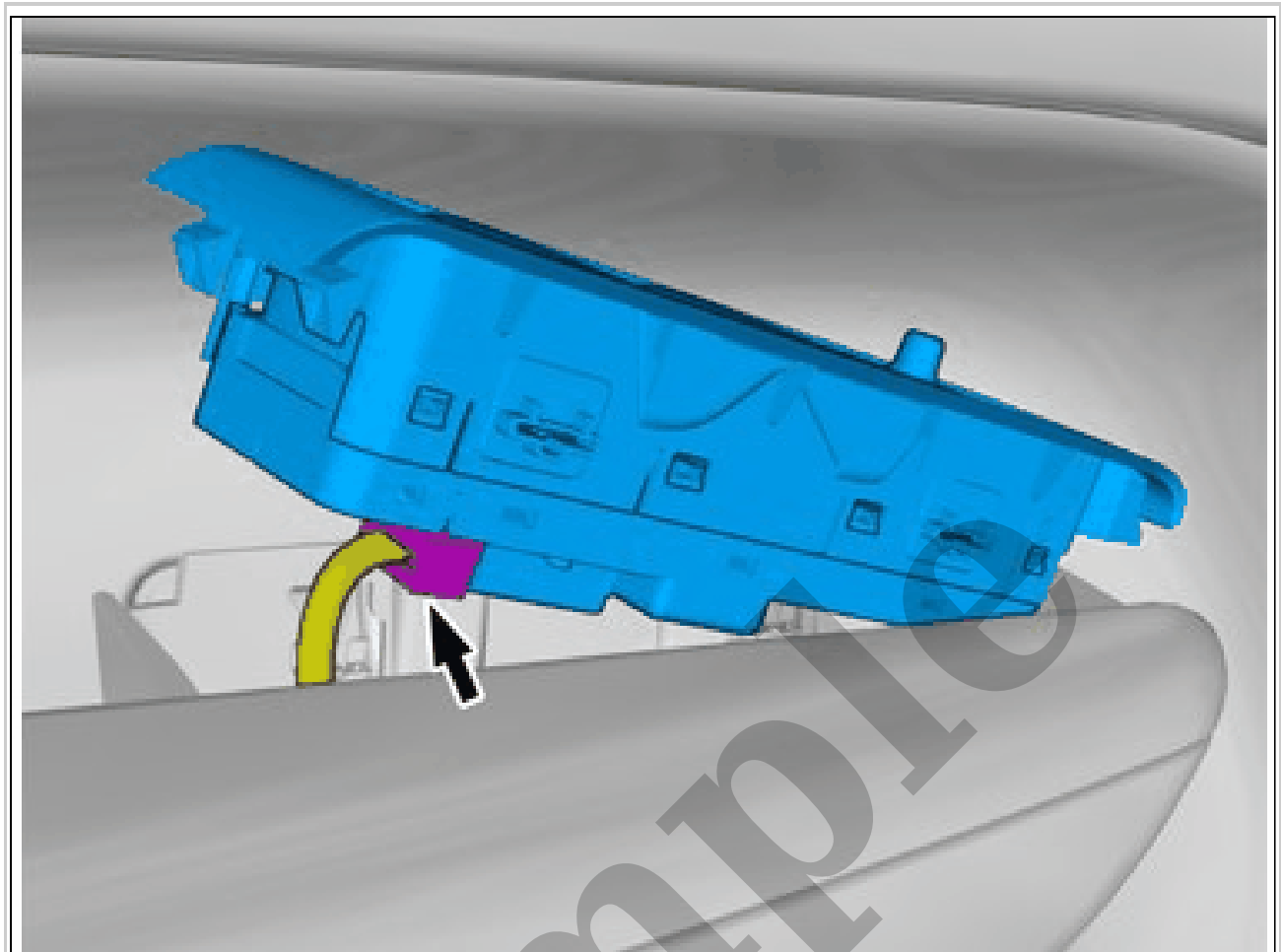
Courtesy of VOLVO CARS CORPORATION

Disconnect the connector.



Courtesy of VOLVO CARS CORPORATION

Disconnect the connector.



Courtesy of VOLVO CARS CORPORATION

Disconnect the connector.
Remove the marked part.

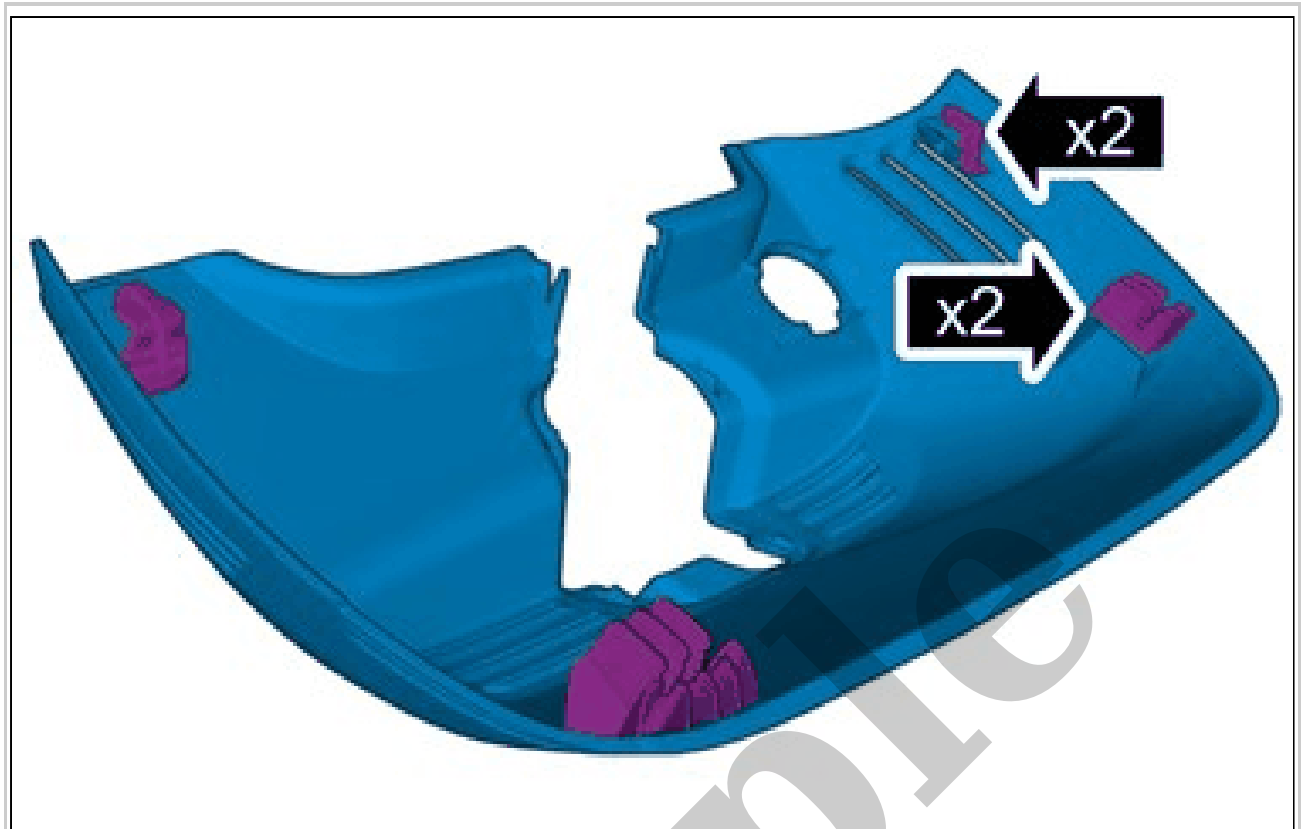
WINDOW CONTROL SWITCH FRONT > WINDOW CONTROL SWITCH FRONT [2018-2022] > INSTALLATION

To install, reverse the removal procedure.

ACTIVE SAFETY DOMAIN MASTER > ACTIVE SAFETY DOMAIN MASTER (ASDM) COOLING FAN [2018-2021 | 2022, B4204T18 | 2022, B4204T47] > REMOVAL

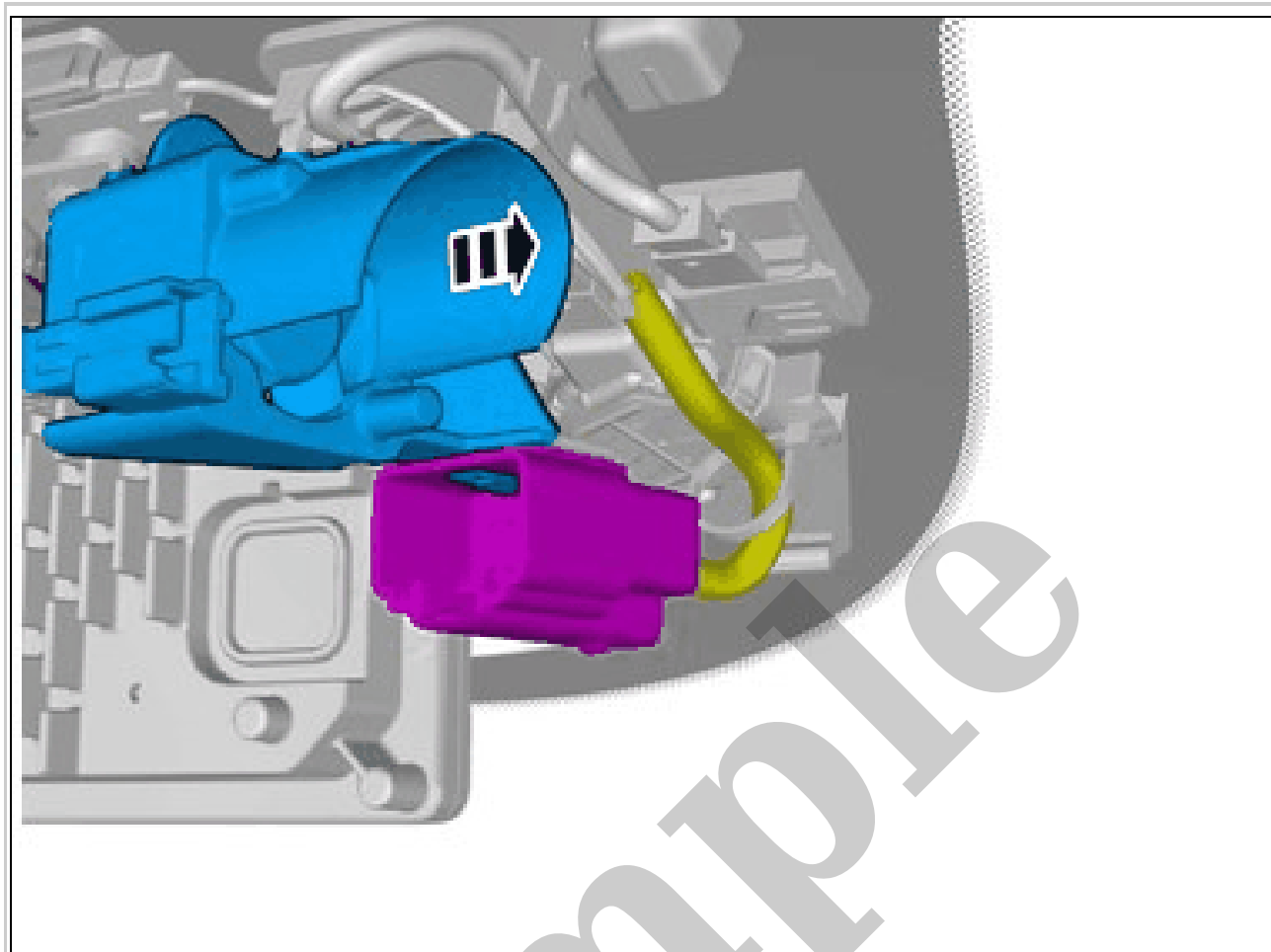
NOTE: *Removal steps in this procedure may contain installation details.*

Set the vehicle to Inactive mode, described in user mode. Refer to: USAGE MODE



Courtesy of VOLVO CARS CORPORATION

Sample



Courtesy of VOLVO CARS CORPORATION

Remove the marked part.
Disconnect the connector.

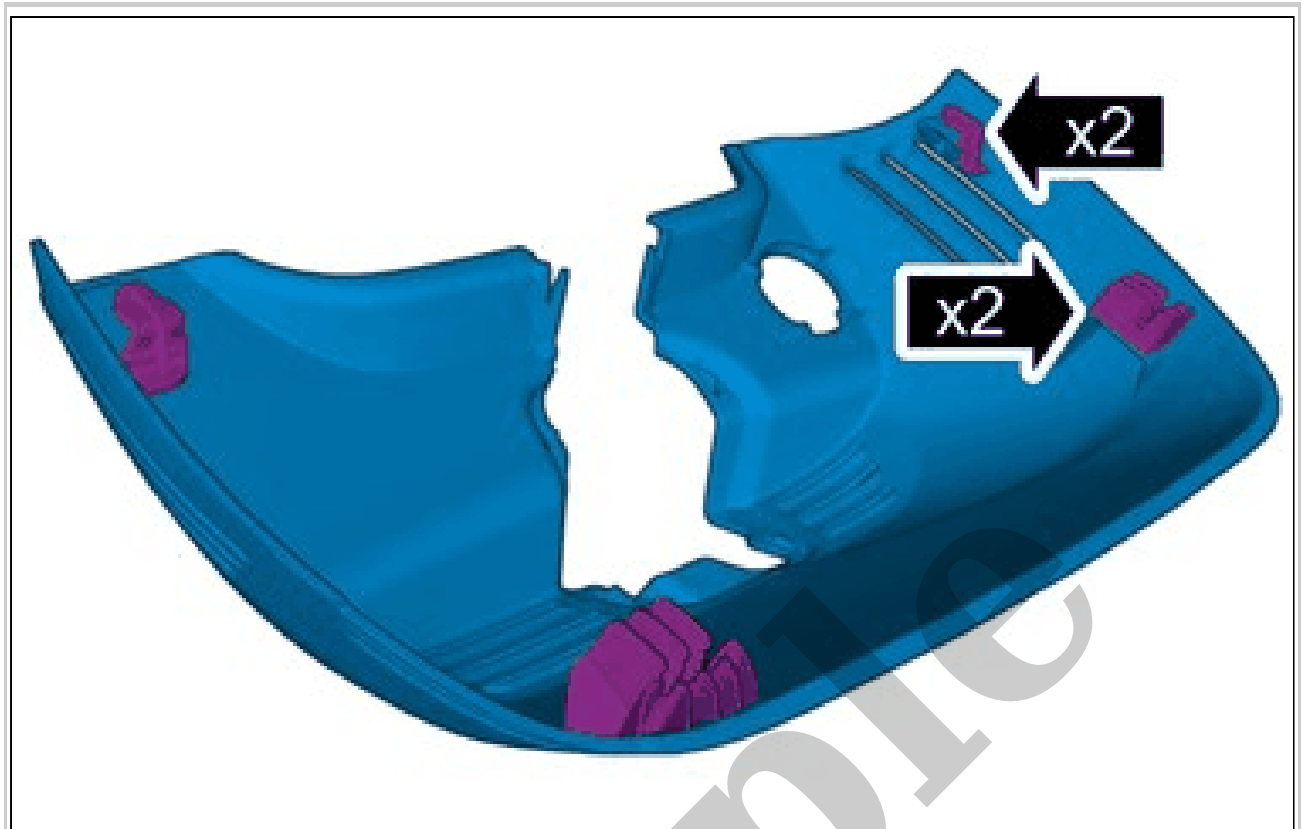
**ACTIVE SAFETY DOMAIN MASTER > ACTIVE SAFETY DOMAIN MASTER (ASDM)
COOLING FAN [2018-2021 | 2022, B4204T18 | 2022, B4204T47] > INSTALLATION**

To install, reverse the removal procedure.

**ACTIVE SAFETY DOMAIN MASTER > ACTIVE SAFETY DOMAIN MASTER (ASDM)
[2018-2020 | 2021-2022, B4204T18 | 2021-2022, B4204T47] > REMOVAL**

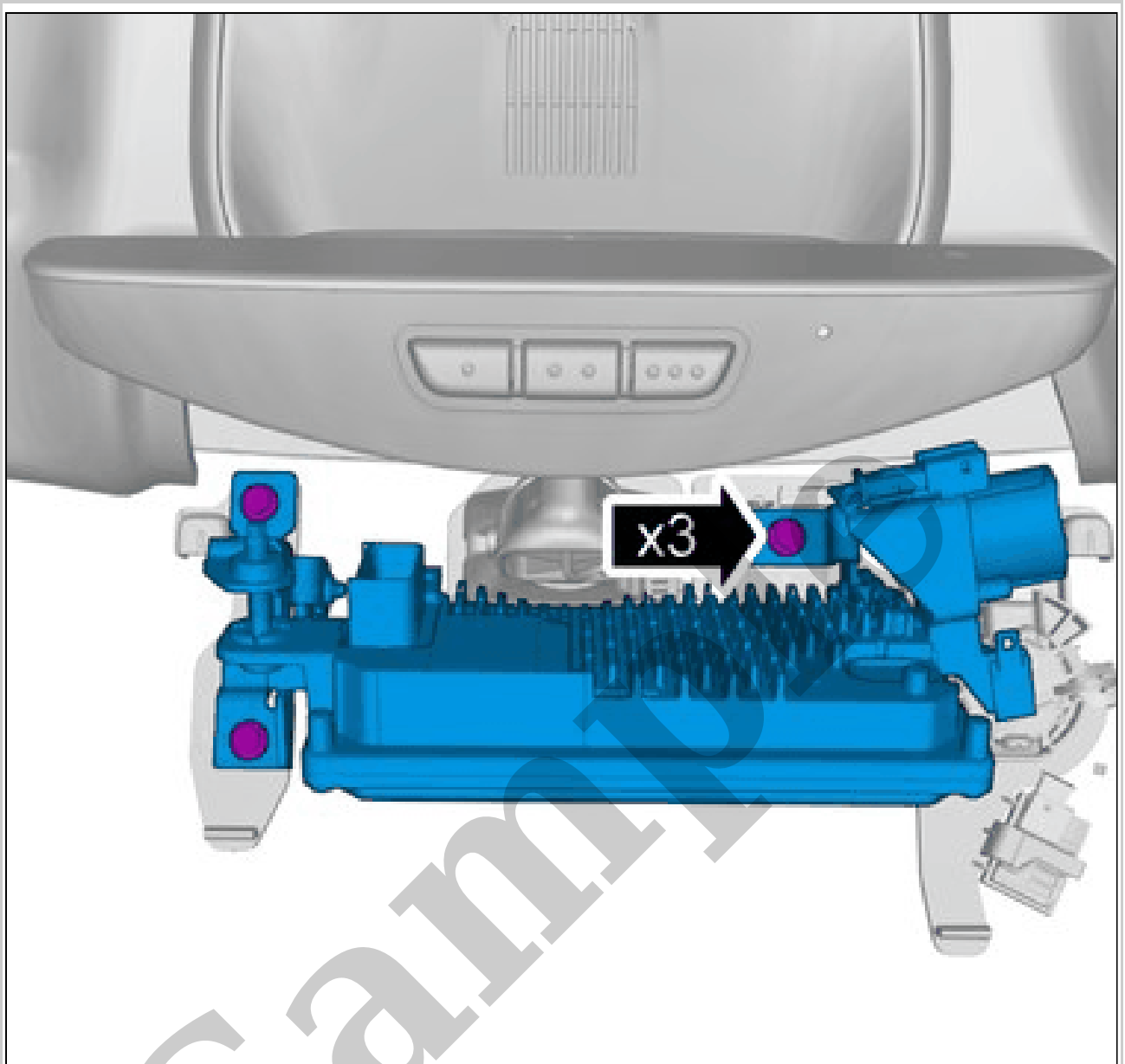
NOTE: *Removal steps in this procedure may contain installation details.*

Set the vehicle to Inactive mode, described in user mode. Refer to: USAGE MODE



Courtesy of VOLVO CARS CORPORATION

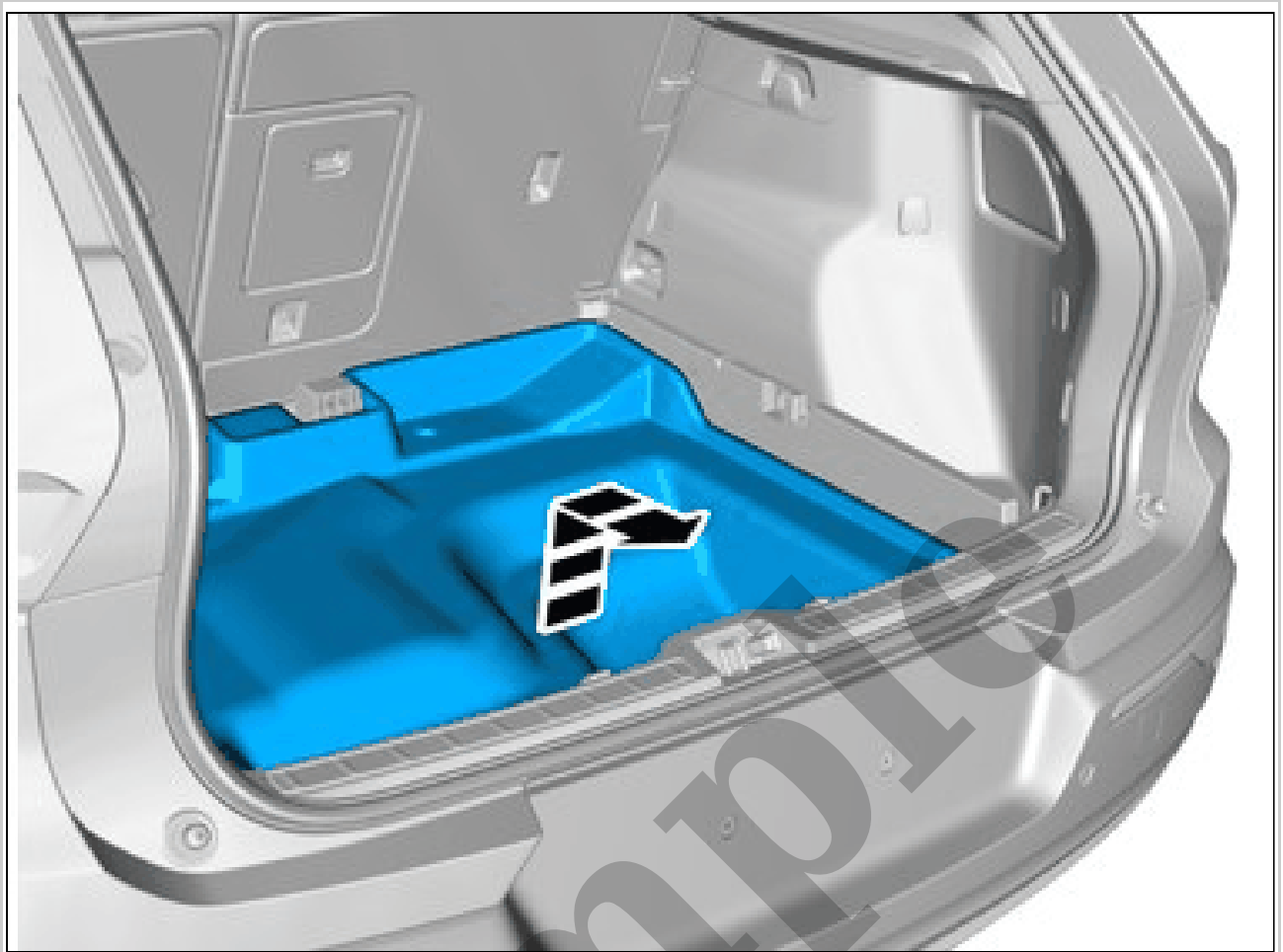
NOTE: The graphic shows the back of the component before removal.



Courtesy of VOLVO CARS CORPORATION

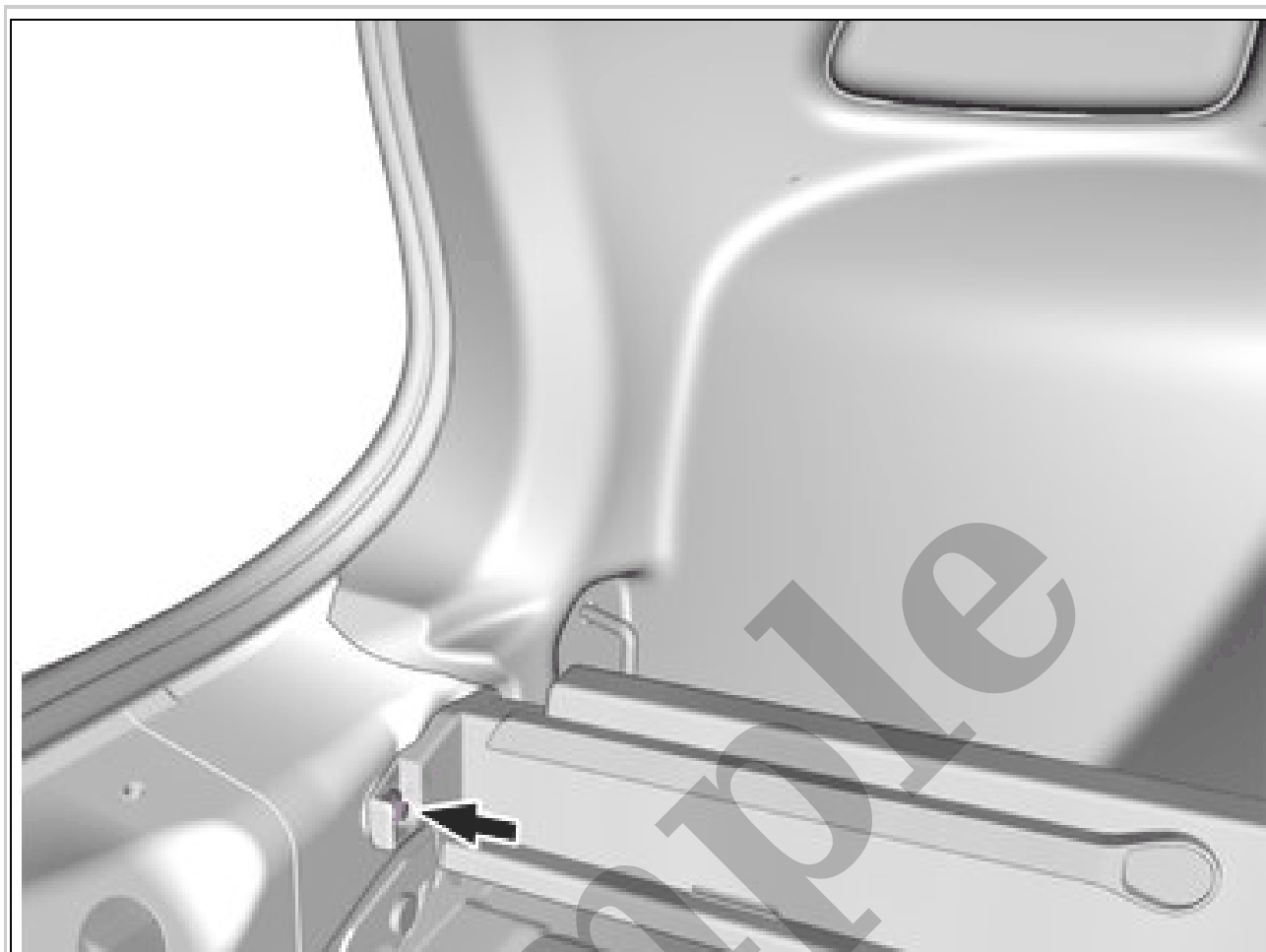
Remove the screws.

Torque: Active Safety Domain Master (ASDM), to Bracket, 6Nm



Courtesy of VOLVO CARS CORPORATION

Remove the marked part.



Courtesy of VOLVO CARS CORPORATION

Remove the screw.
Torque: M6, 10Nm