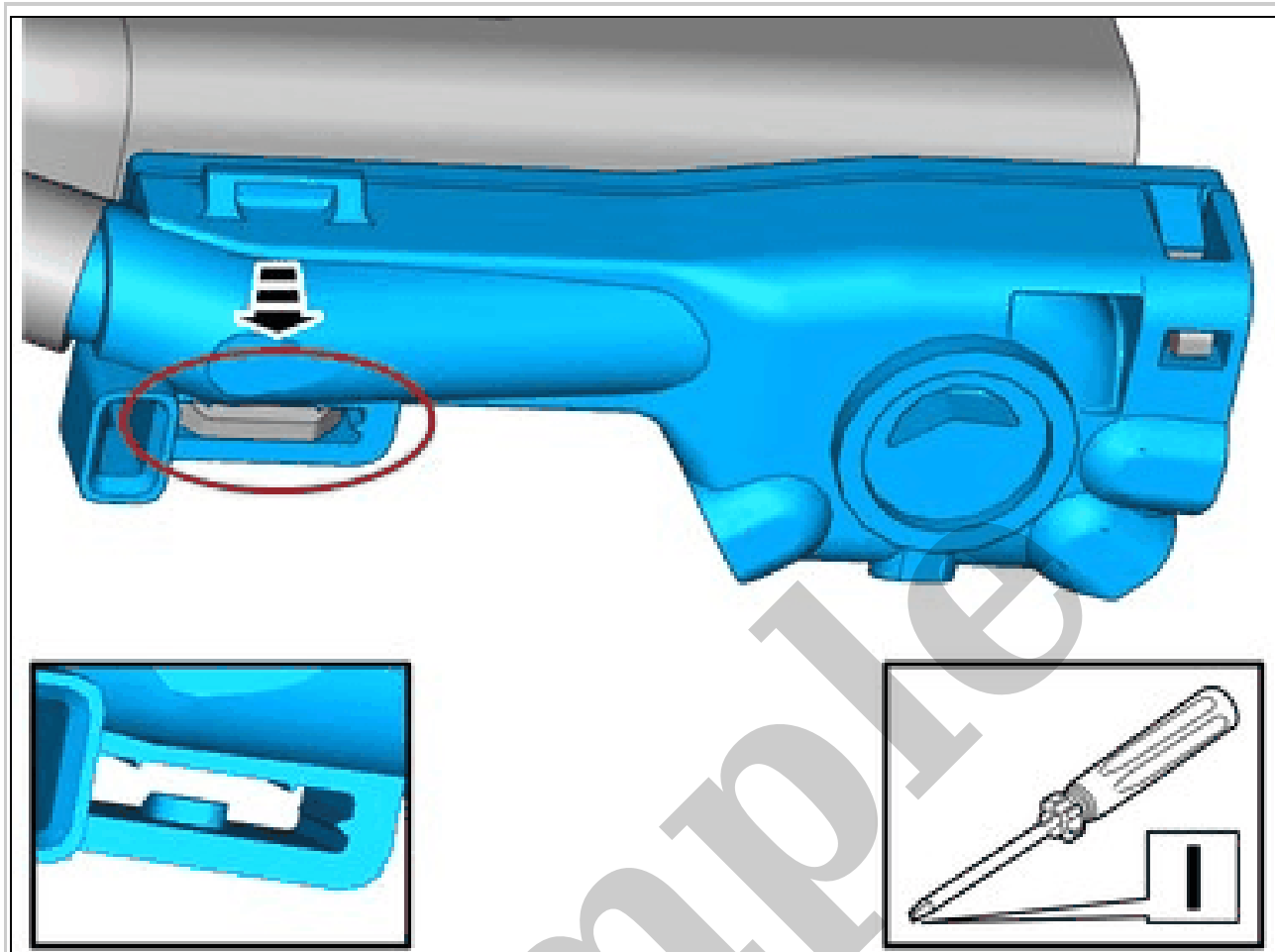


Your Ultimate Source for OEM Repair Manuals

FactoryManuals.net is a great resource for anyone who wants to save money on repairs by doing their own work. The manuals provide detailed instructions and diagrams that make it easy to understand how to fix a vehicle.

2010 VOLVO S40 OEM Service and Repair Workshop Manual

[Go to manual page](#)

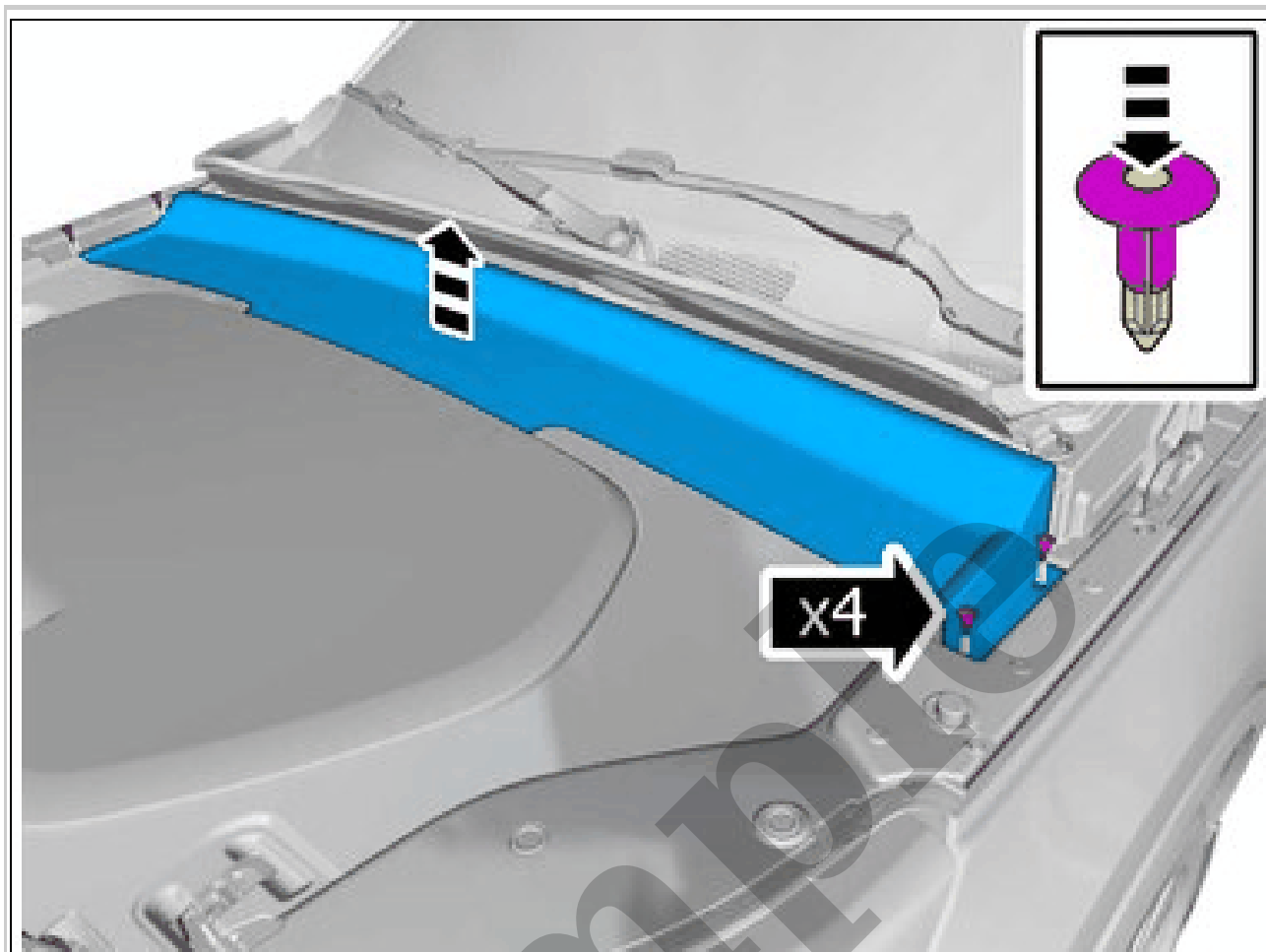


Courtesy of VOLVO CARS CORPORATION

Release the catch.

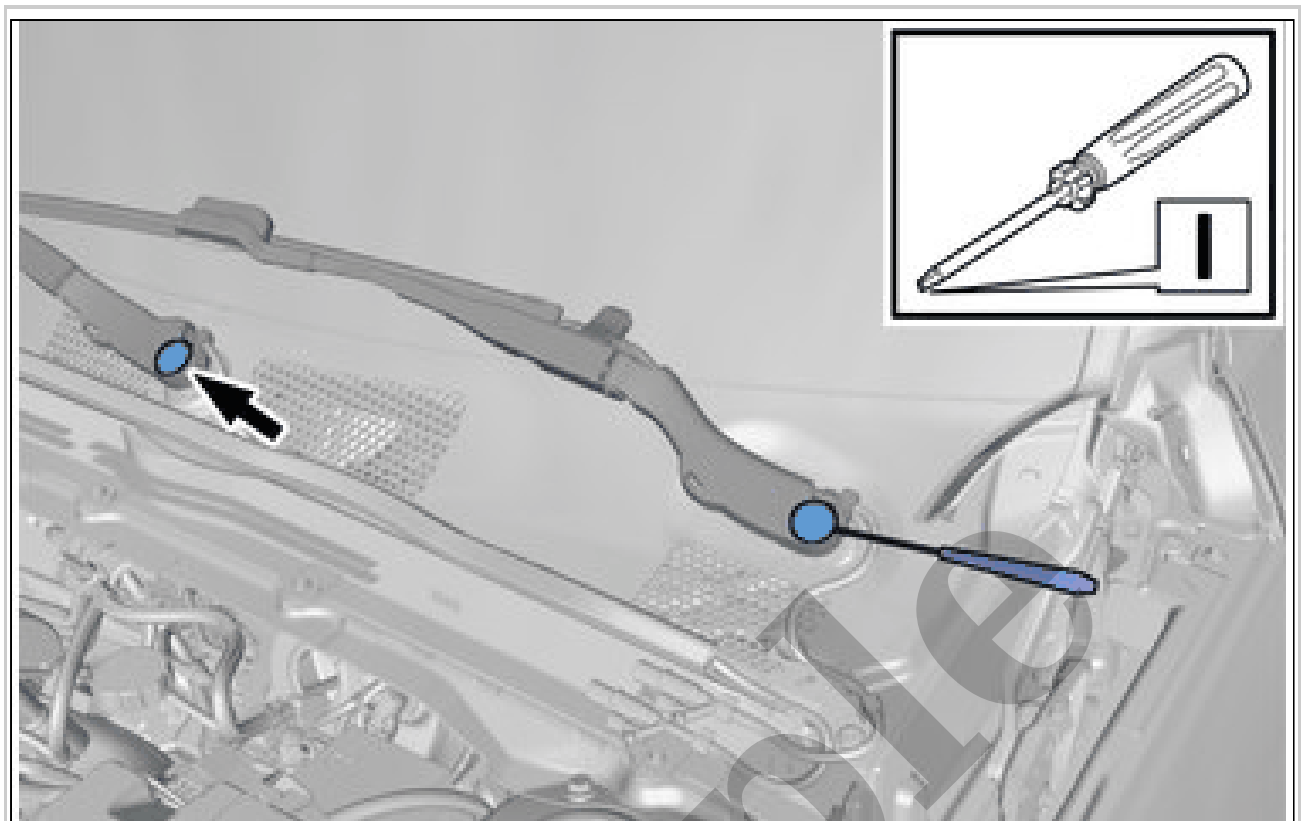
Remove the part carefully

Use: Electrician's screwdriver



Courtesy of VOLVO CARS CORPORATION

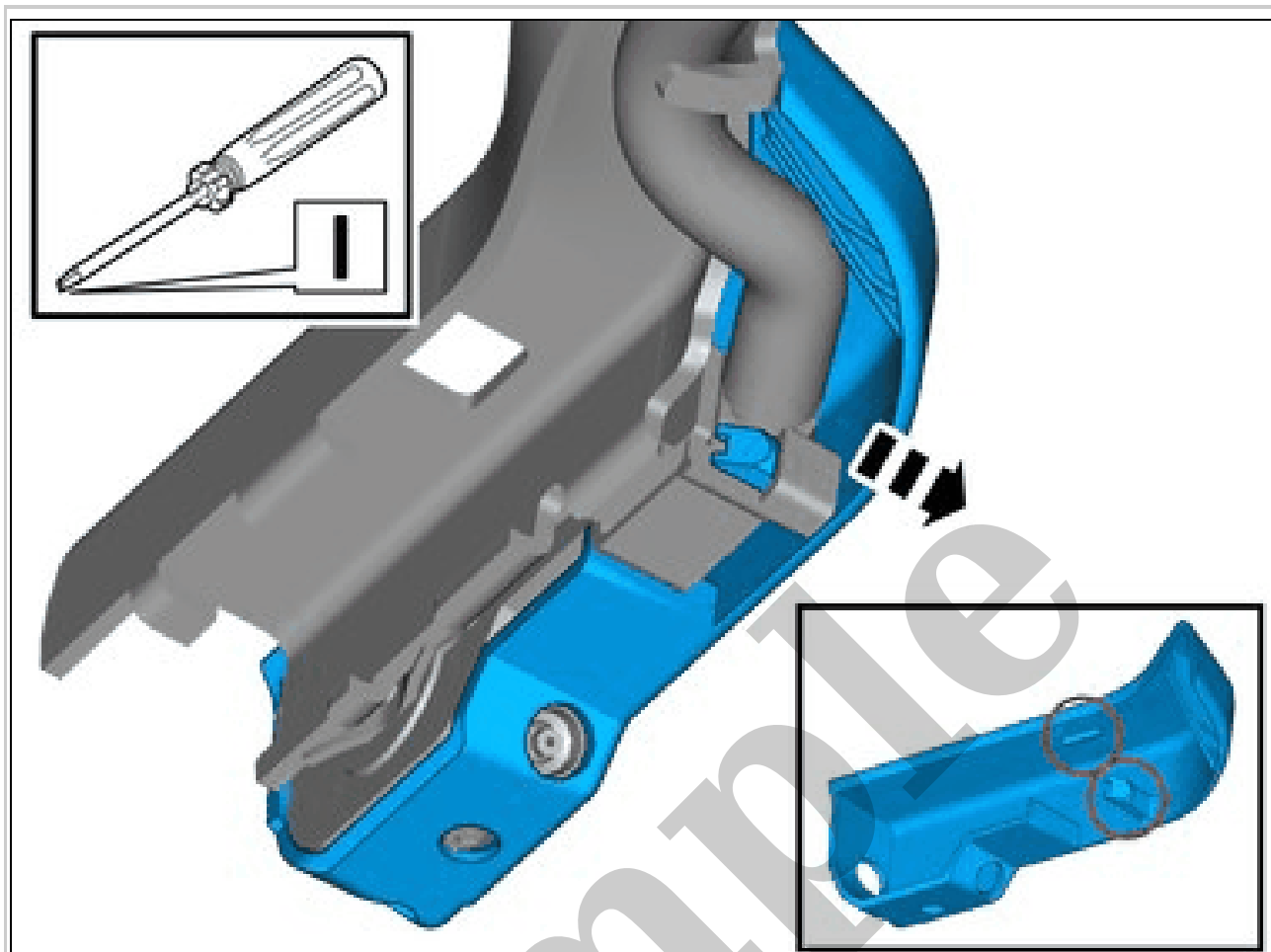
Remove the clips.
Remove the marked part.



Courtesy of VOLVO CARS CORPORATION

Remove the marked parts.

Use: Electrician's screwdriver

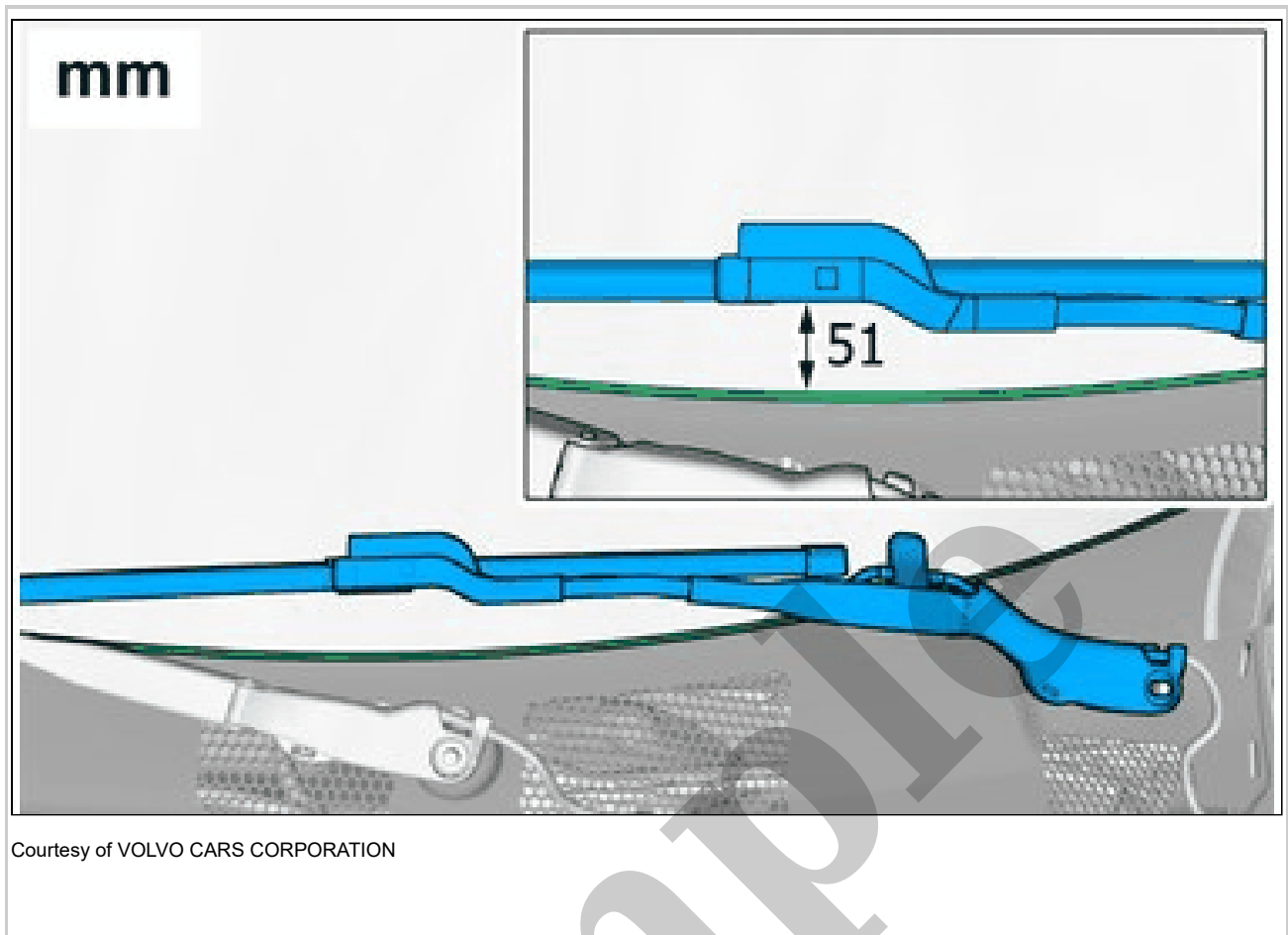


Courtesy of VOLVO CARS CORPORATION

Release the catches.

Loosen the marked detail.

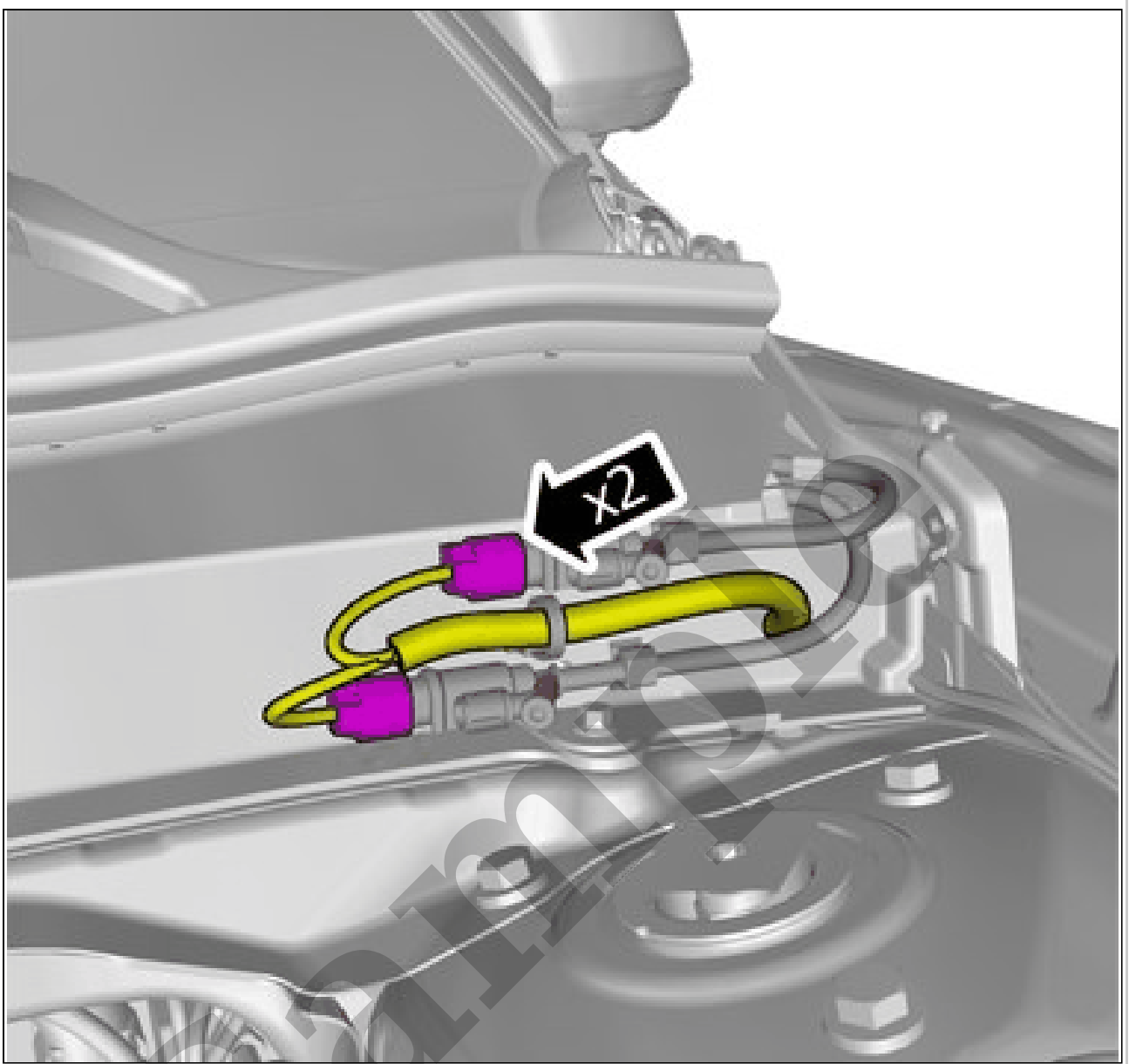
Use: Electrician's screwdriver



Adjust to the specified value.
Tighten the nut.
To install, reverse the removal procedure.

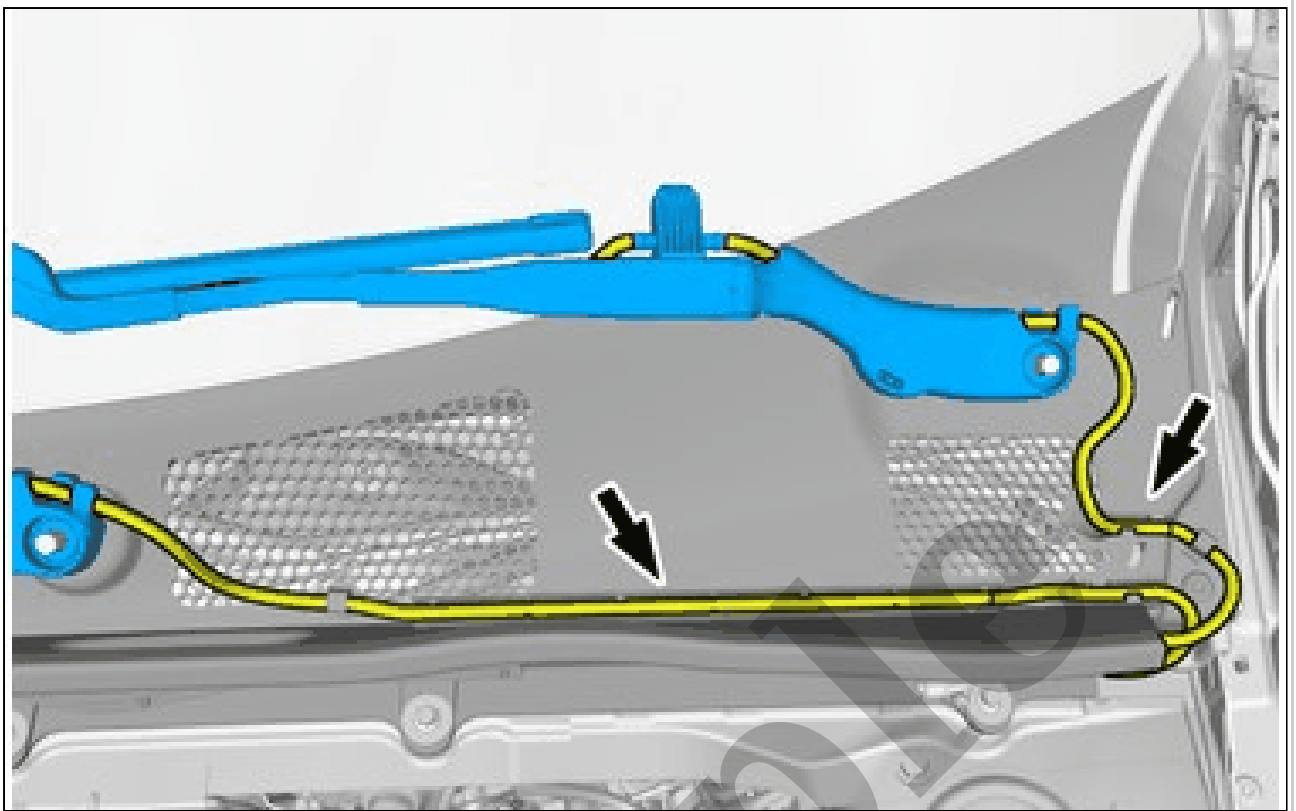
WIPER ARM > WIPER ARM [2021-2022, E400V6] > REMOVAL

NOTE: *Removal steps in this procedure may contain installation details.*



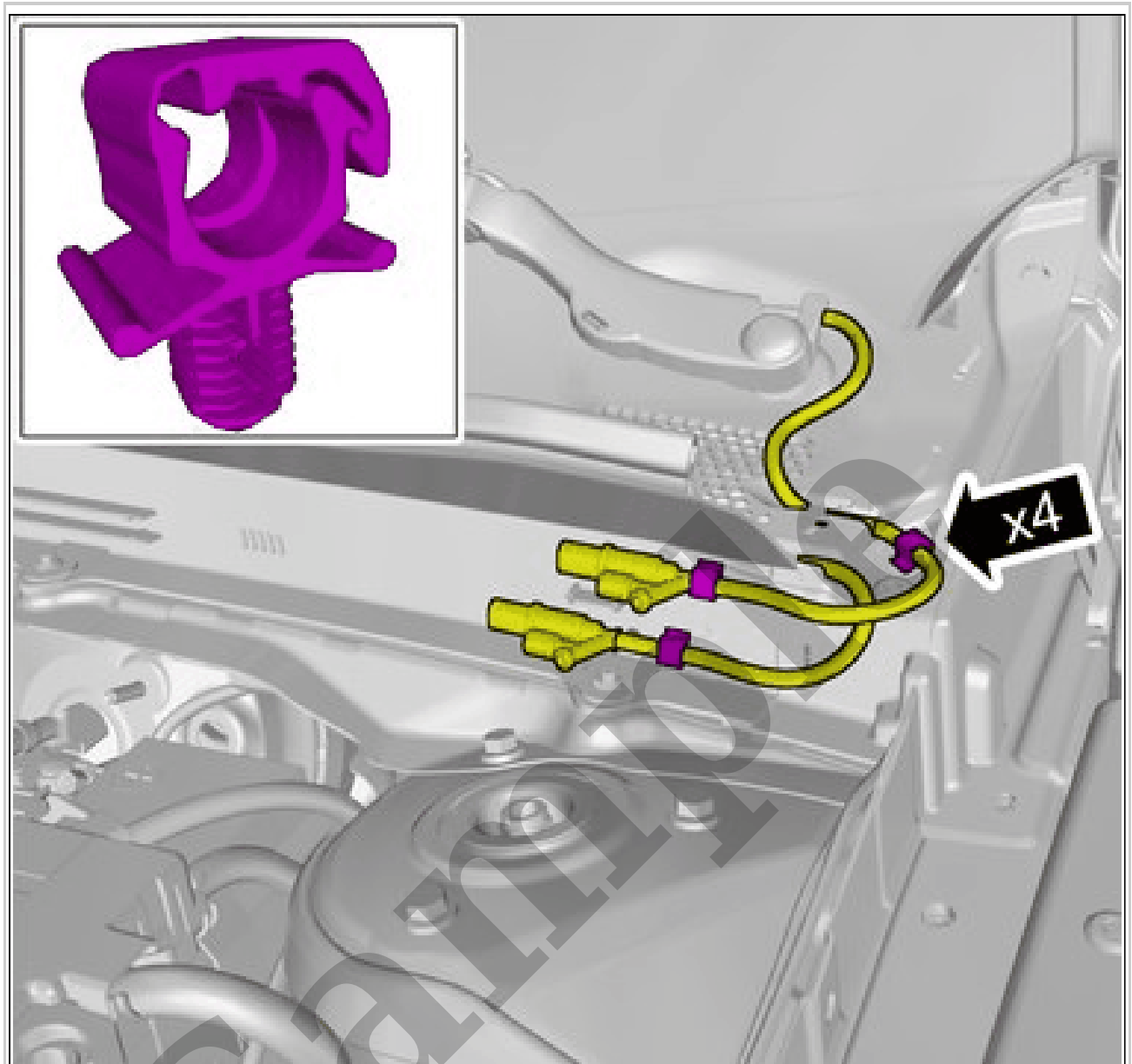
Courtesy of VOLVO CARS CORPORATION

Disconnect the connectors.



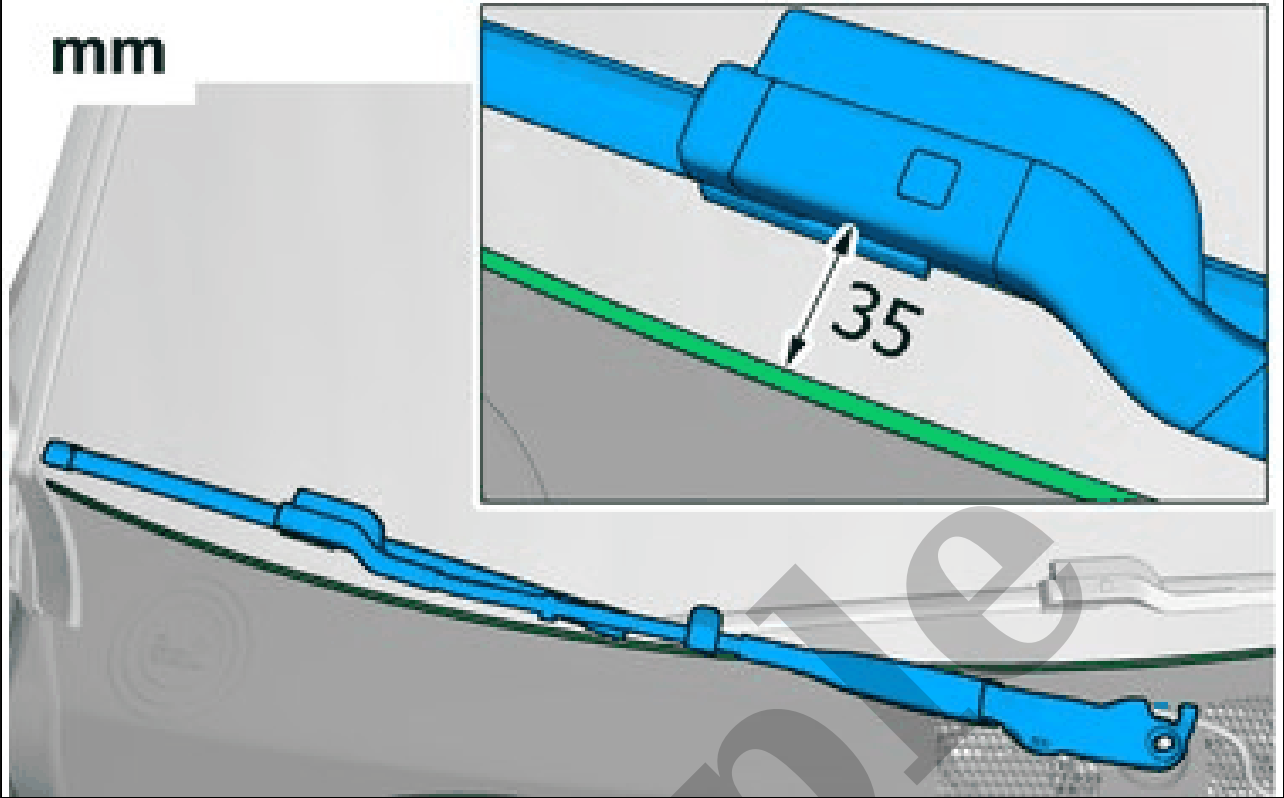
Courtesy of VOLVO CARS CORPORATION

CAUTION: *Note the routing of the lines and hoses.*



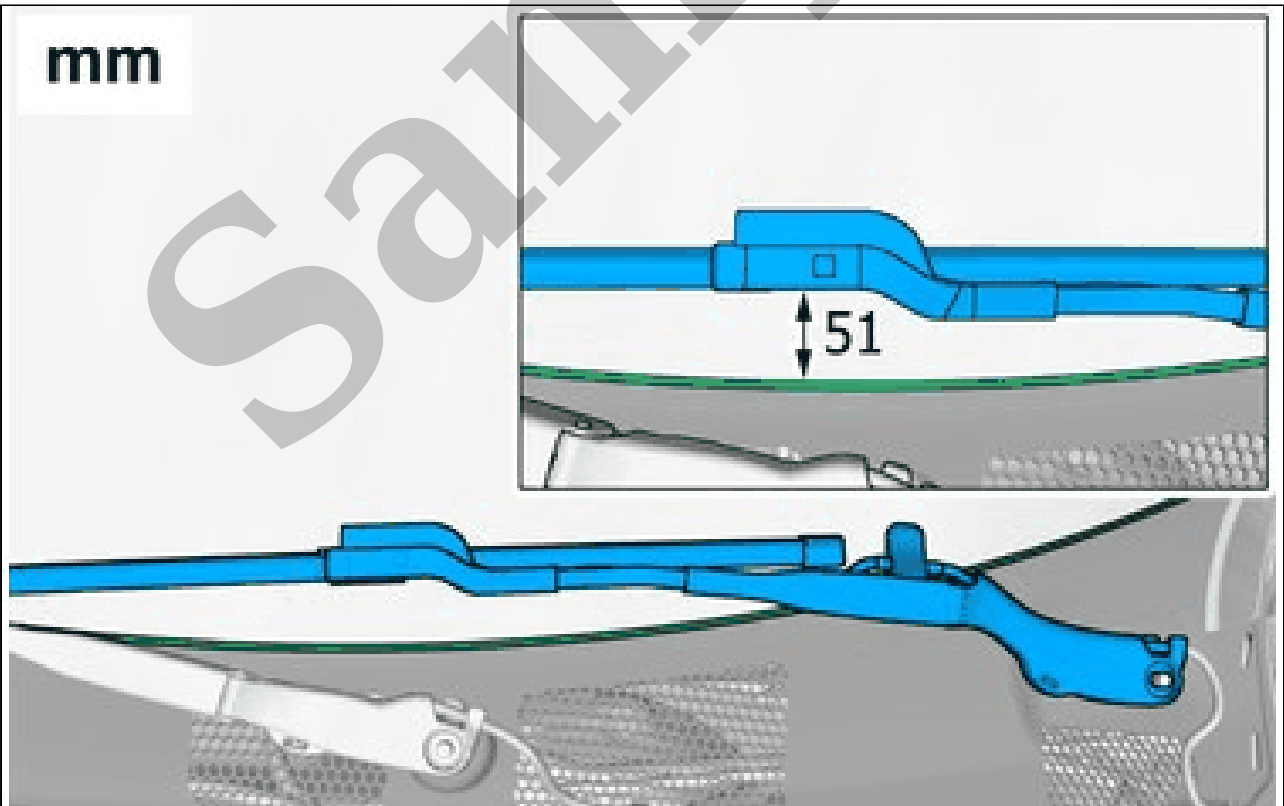
Courtesy of VOLVO CARS CORPORATION

mm



Courtesy of VOLVO CARS CORPORATION

mm



Courtesy of VOLVO CARS CORPORATION