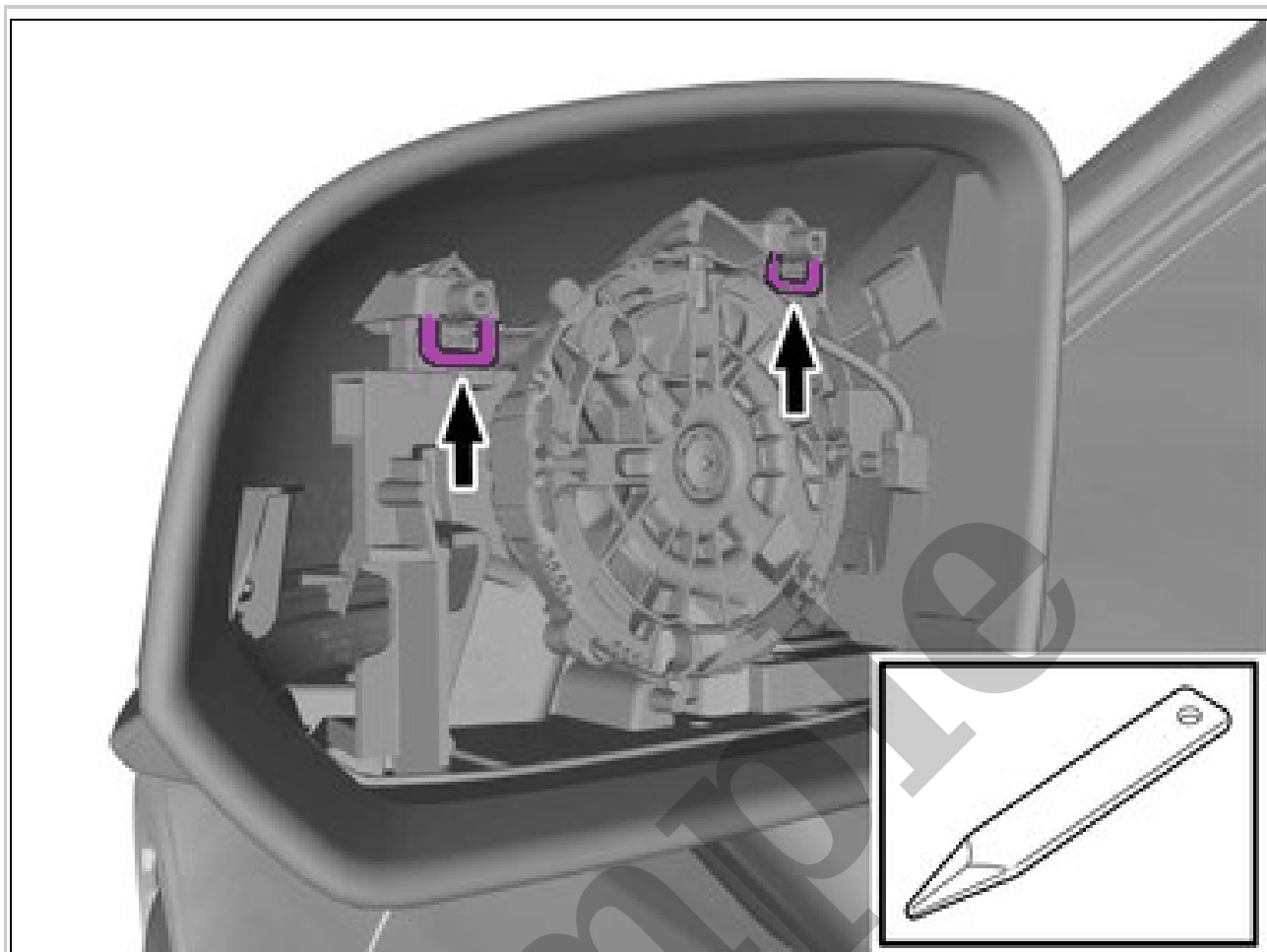


Your Ultimate Source for OEM Repair Manuals

FactoryManuals.net is a great resource for anyone who wants to save money on repairs by doing their own work. The manuals provide detailed instructions and diagrams that make it easy to understand how to fix a vehicle.

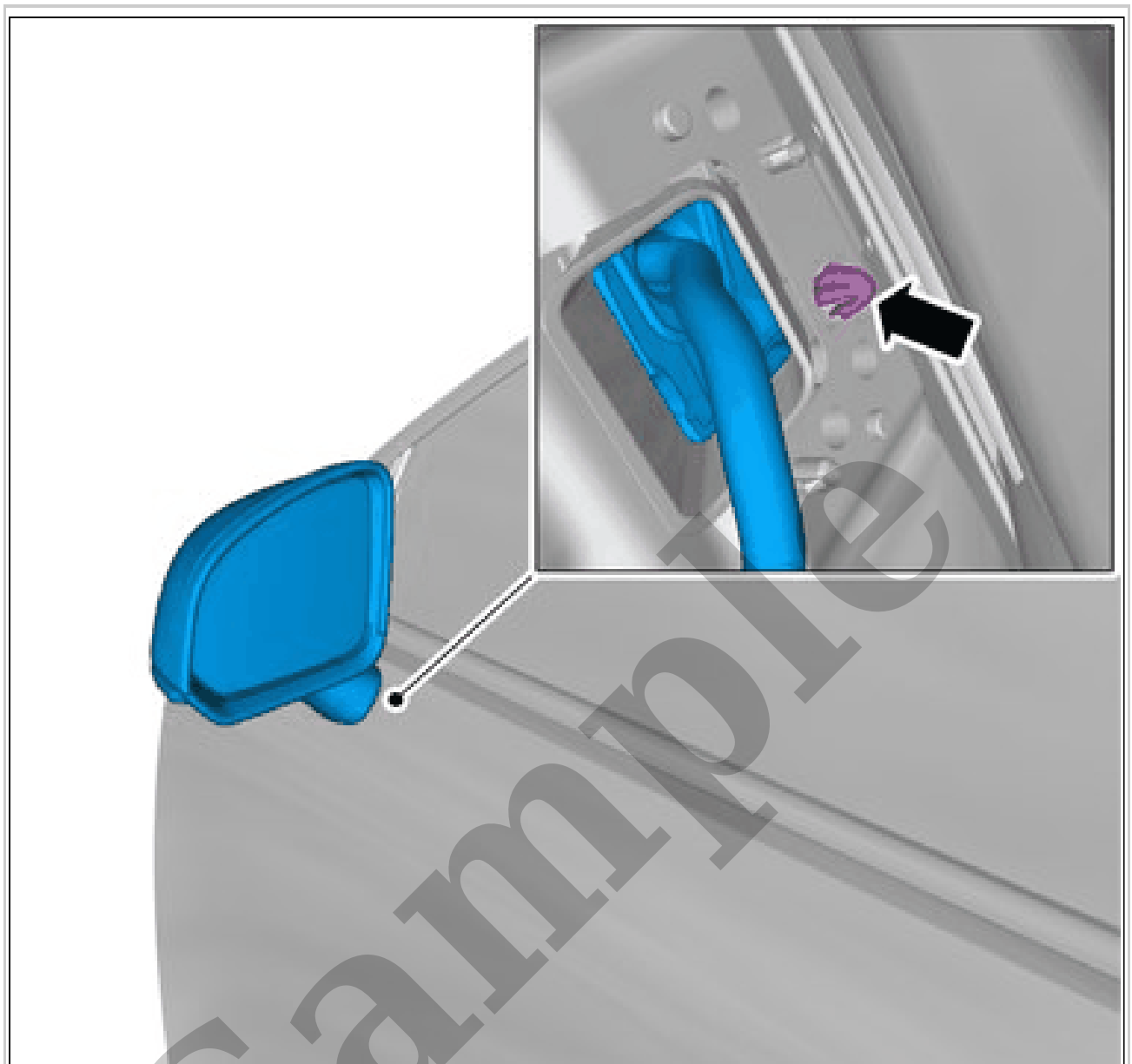
2009 VOLVO XC90 OEM Service and Repair Workshop Manual

[Go to manual page](#)



Courtesy of VOLVO CARS CORPORATION

Release the catches.



Courtesy of VOLVO CARS CORPORATION

HINT: This step may require the aid of another technician.

Loosen the clip.

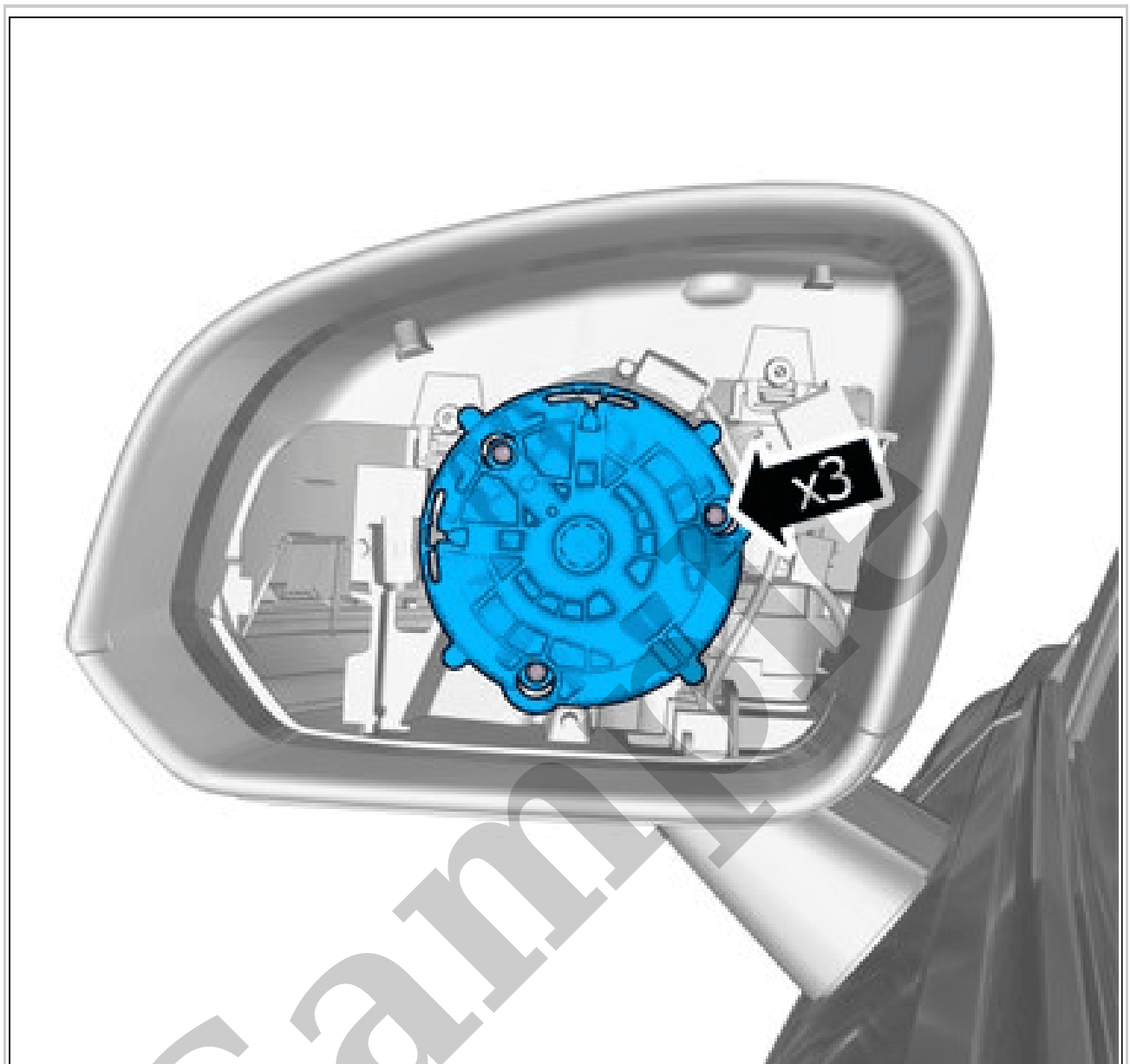
Remove the marked part.

EXTERNAL MIRROR > EXTERNAL MIRROR [2018-2022] > INSTALLATION

To install, reverse the removal procedure.

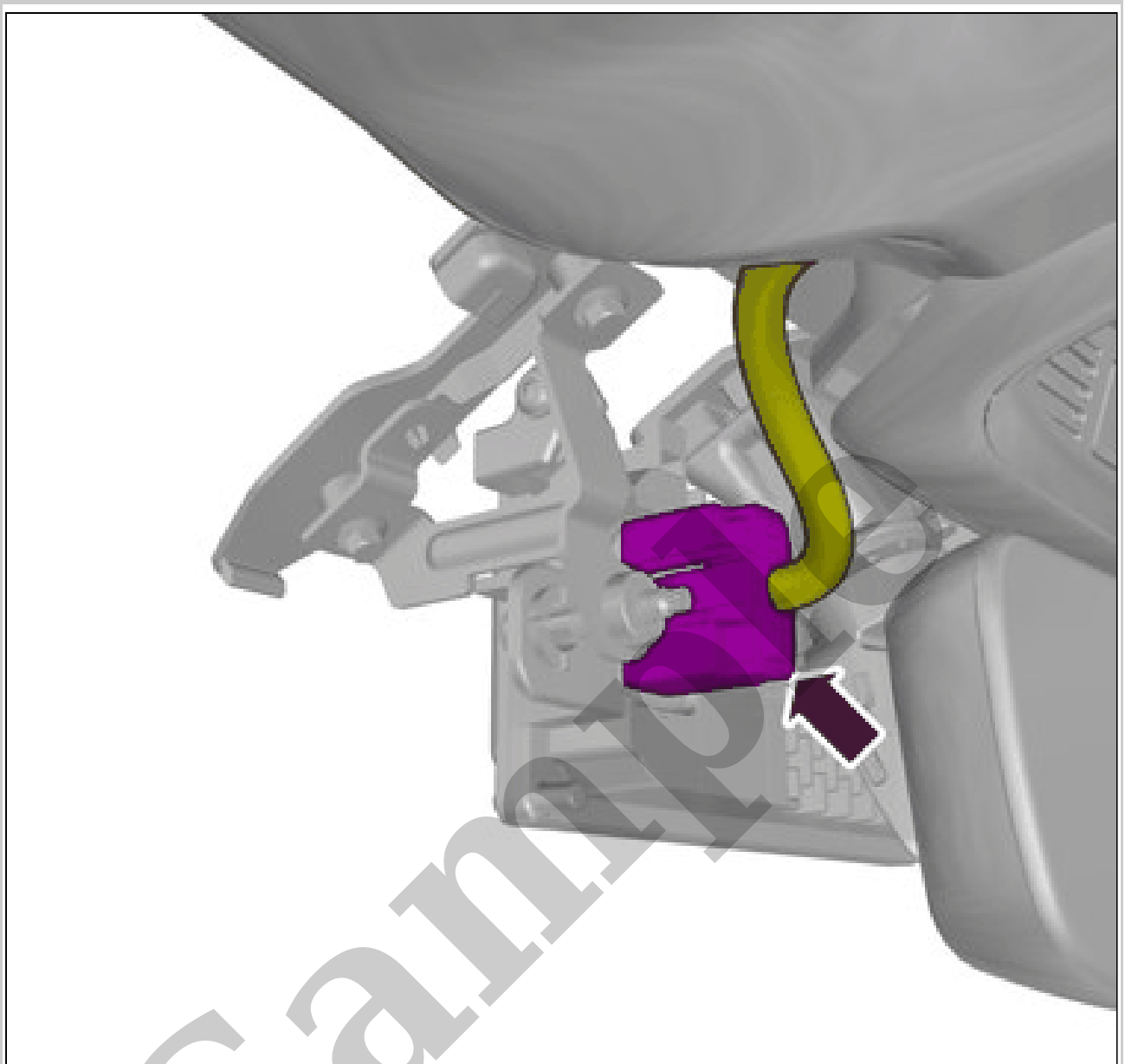
GLASS, EXTERNAL MIRROR > GLASS, EXTERNAL MIRROR [2018-2022] > REMOVAL

Set the vehicle to Inactive mode, described in user mode. Refer to: USAGE MODE



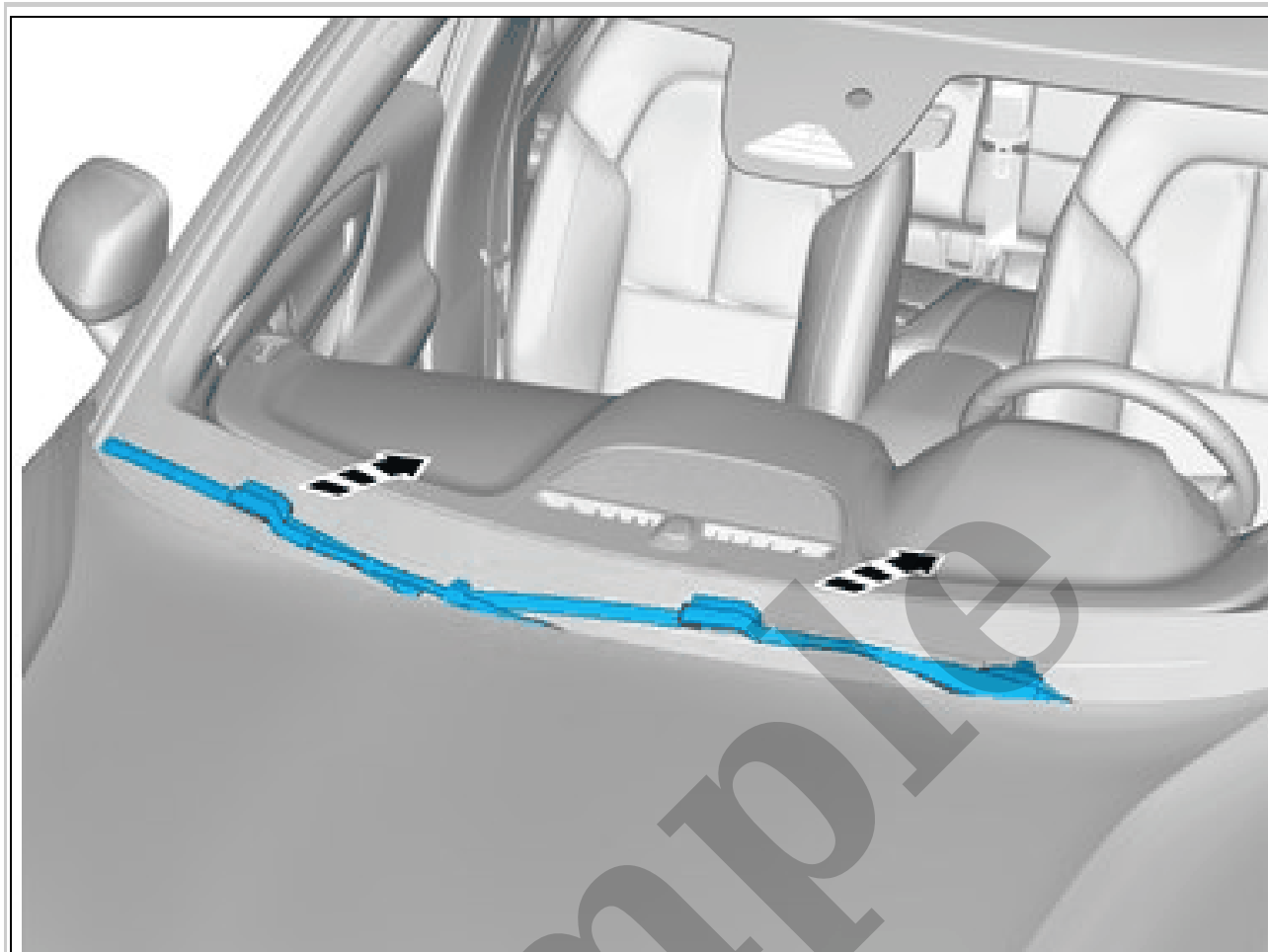
Courtesy of VOLVO CARS CORPORATION

Remove the screws.



Courtesy of VOLVO CARS CORPORATION

Disconnect the connector.



Courtesy of VOLVO CARS CORPORATION

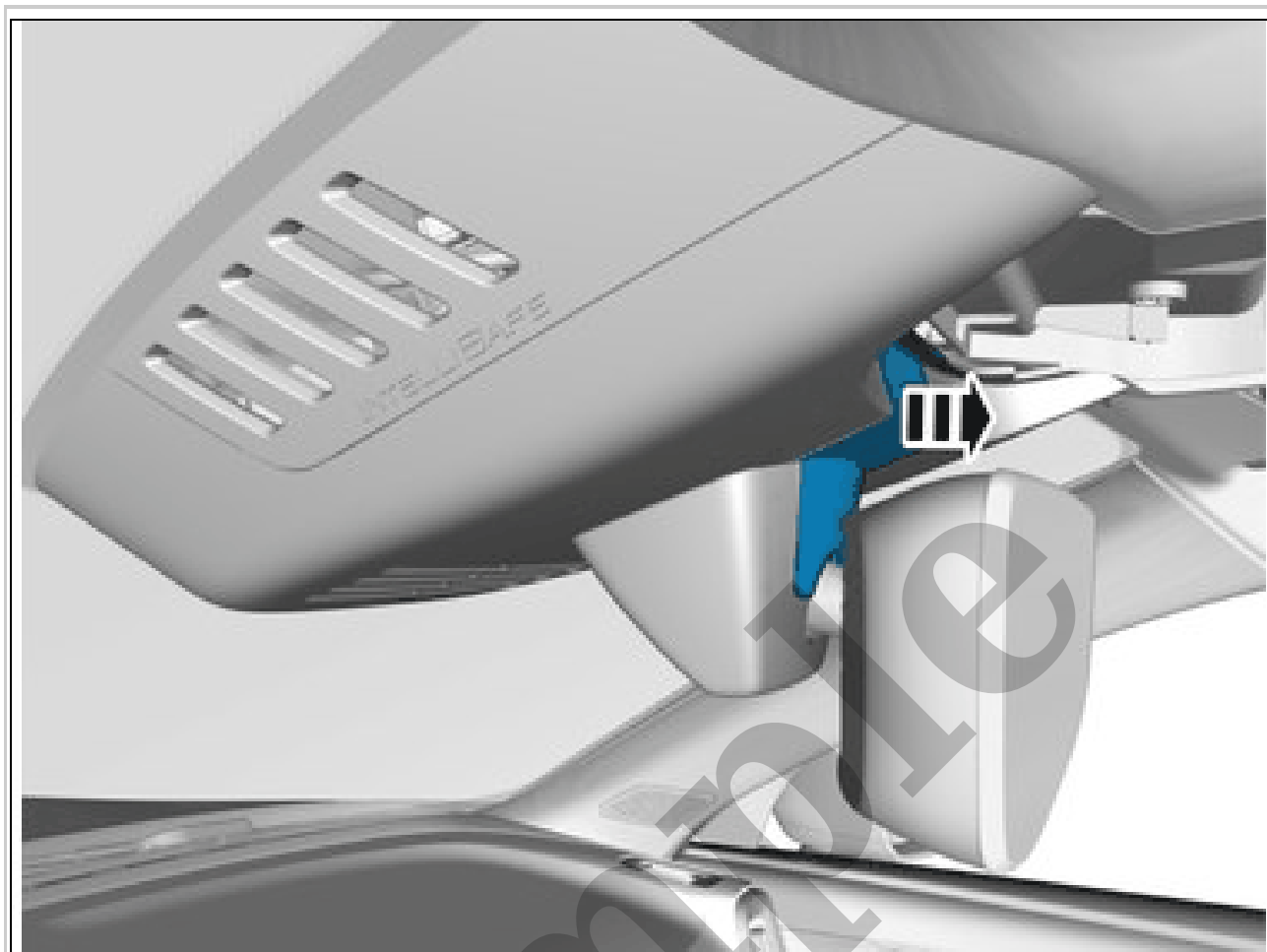
RAIN SENSOR, CHECK > RAIN SENSOR, CHECK [2018-2020 | 2021-2022, B4204T18; B4204T47]

NOTE: For information on Volvo color coded illustrations, refer to: IMAGES .

Materials	
Designation	Part number
Water	

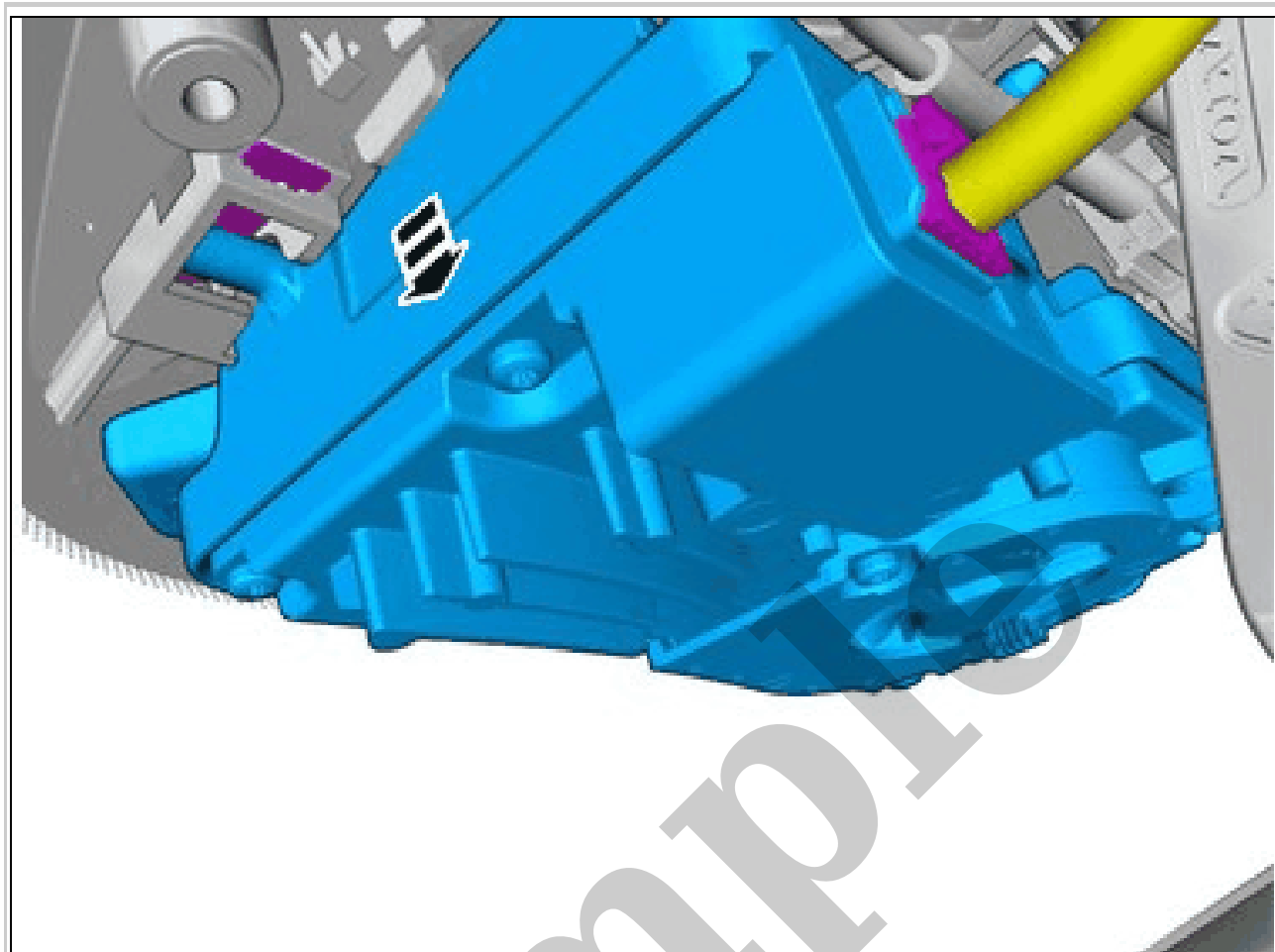
CHECK

NOTE: Perform function checks three times.



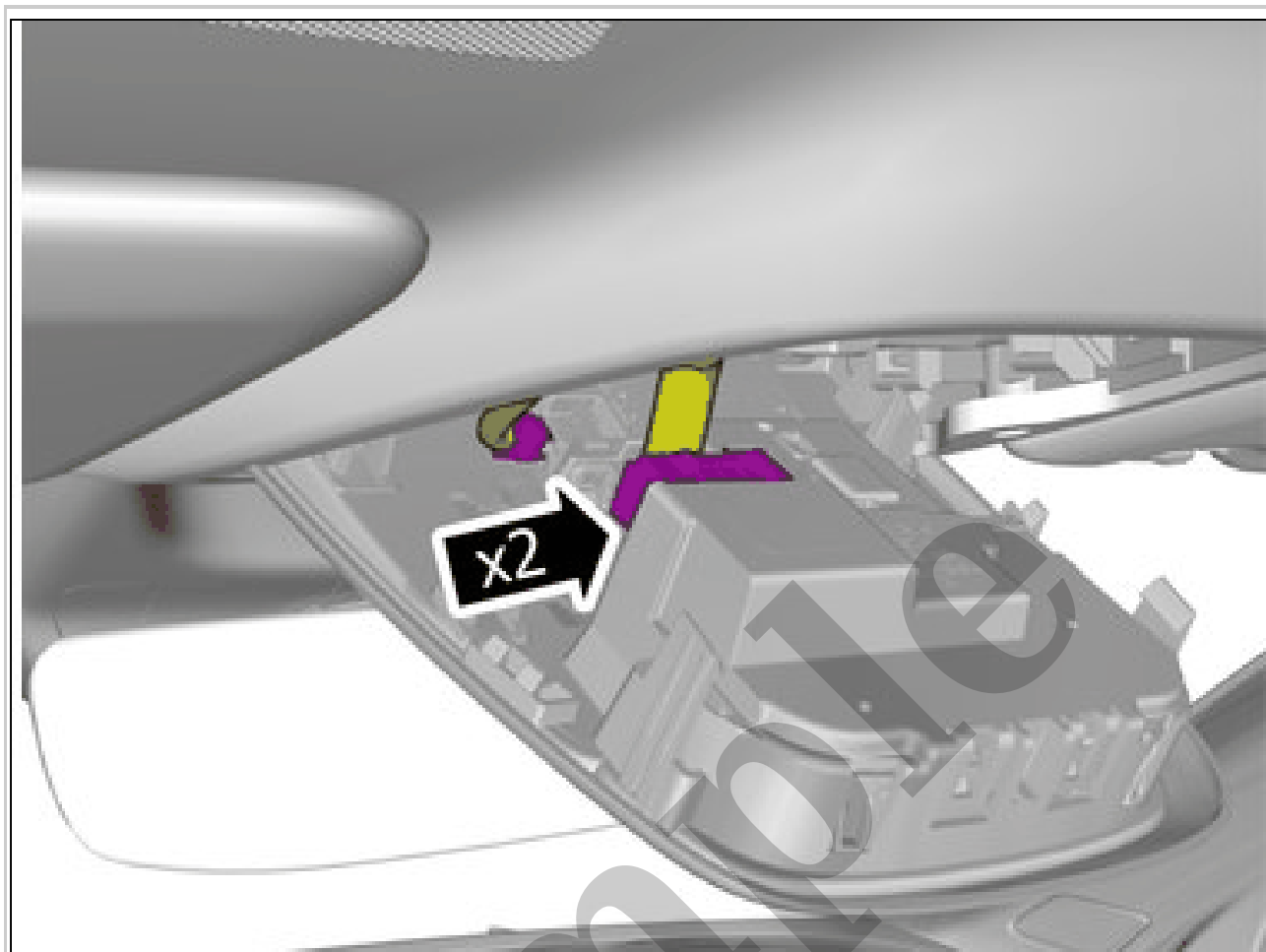
Courtesy of VOLVO CARS CORPORATION

Remove the marked part.



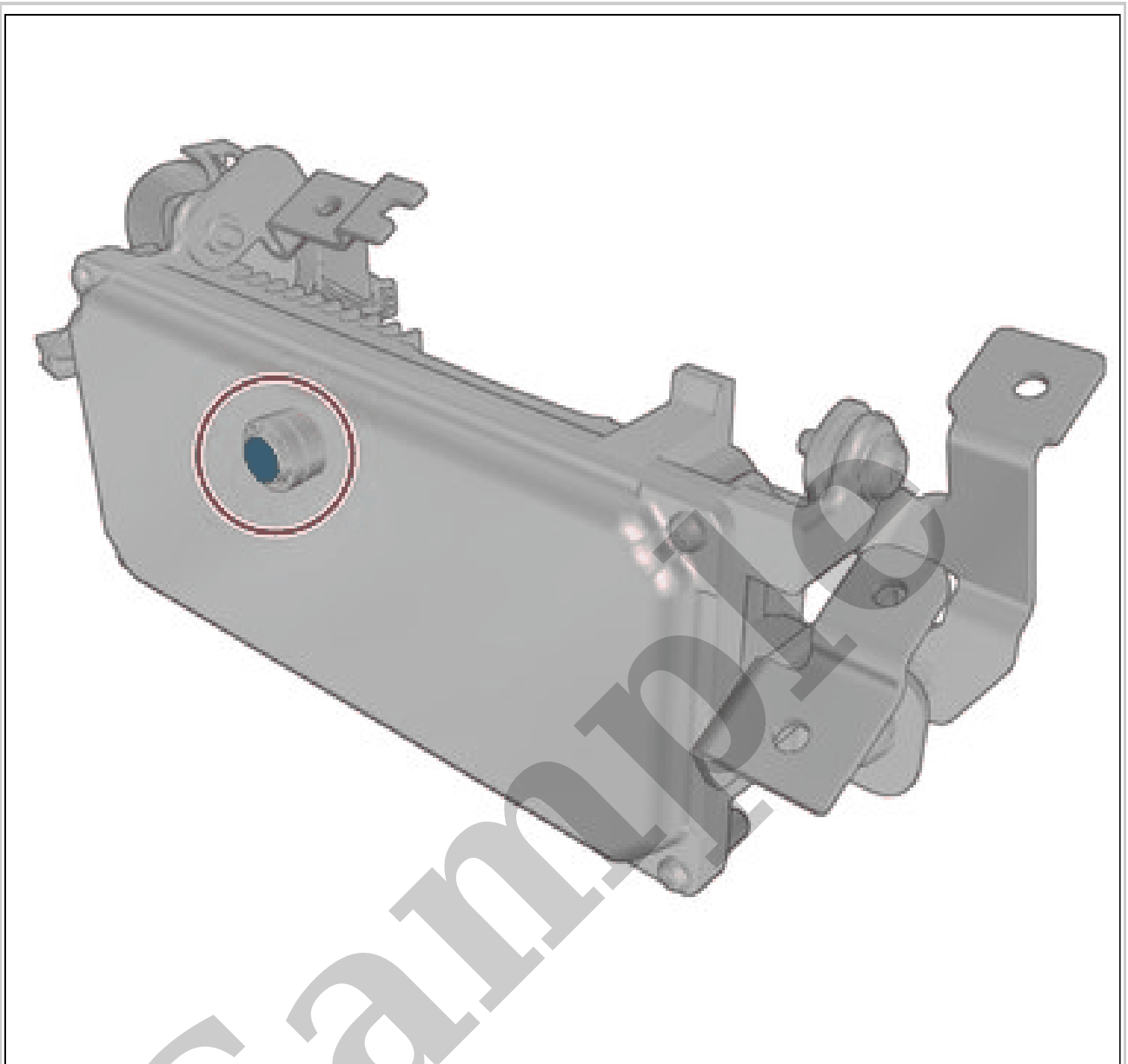
Courtesy of VOLVO CARS CORPORATION

Tilt the component somewhat.



Courtesy of VOLVO CARS CORPORATION

Disconnect the connectors.



Courtesy of VOLVO CARS CORPORATION

CAUTION: *Ensure that no foreign substances such as oil, window cleaning agent or similar end up on components when cleaning.*