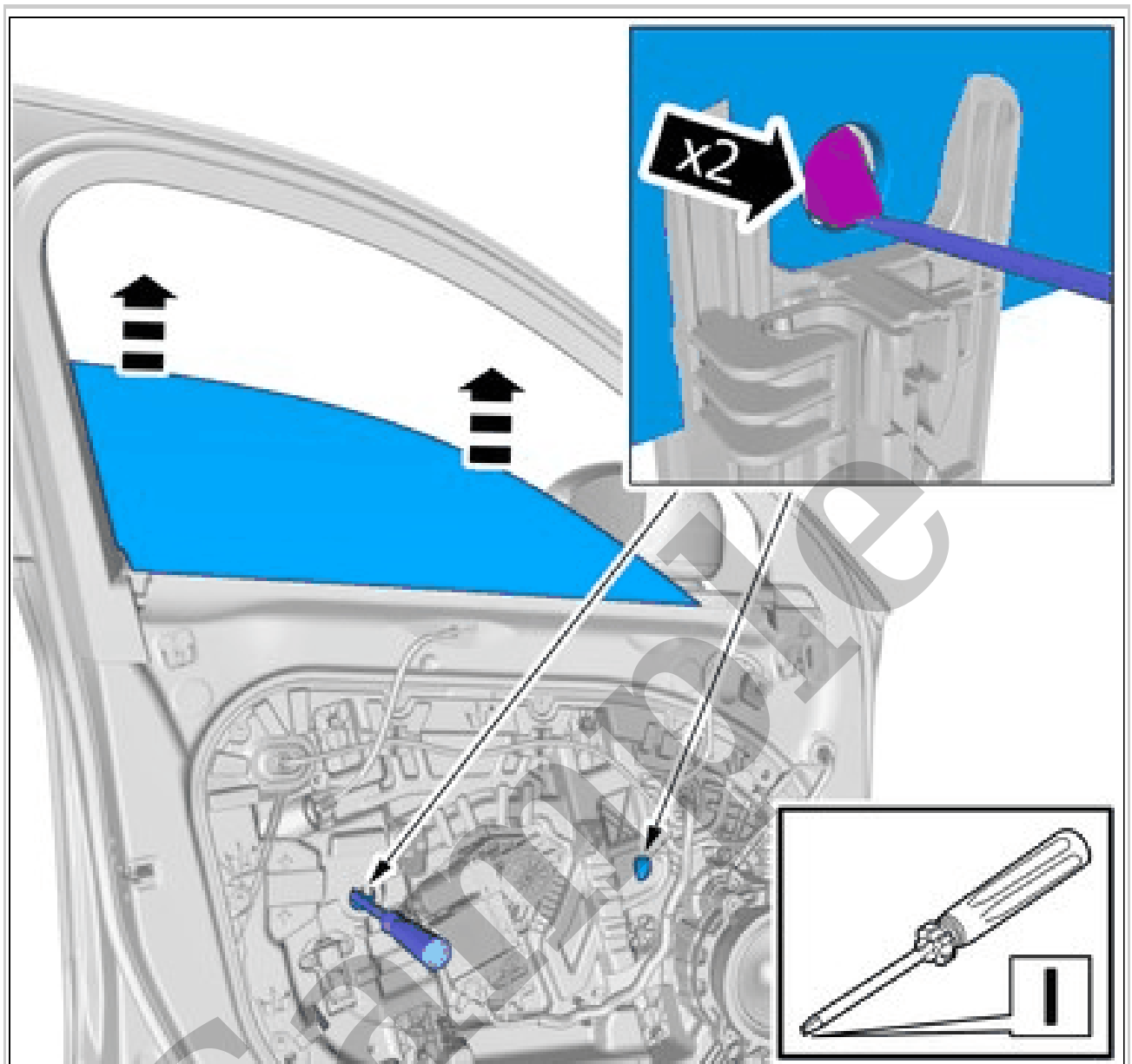


Your Ultimate Source for OEM Repair Manuals

FactoryManuals.net is a great resource for anyone who wants to save money on repairs by doing their own work. The manuals provide detailed instructions and diagrams that make it easy to understand how to fix a vehicle.

2009 VOLVO XC70 OEM Service and Repair Workshop Manual

[Go to manual page](#)

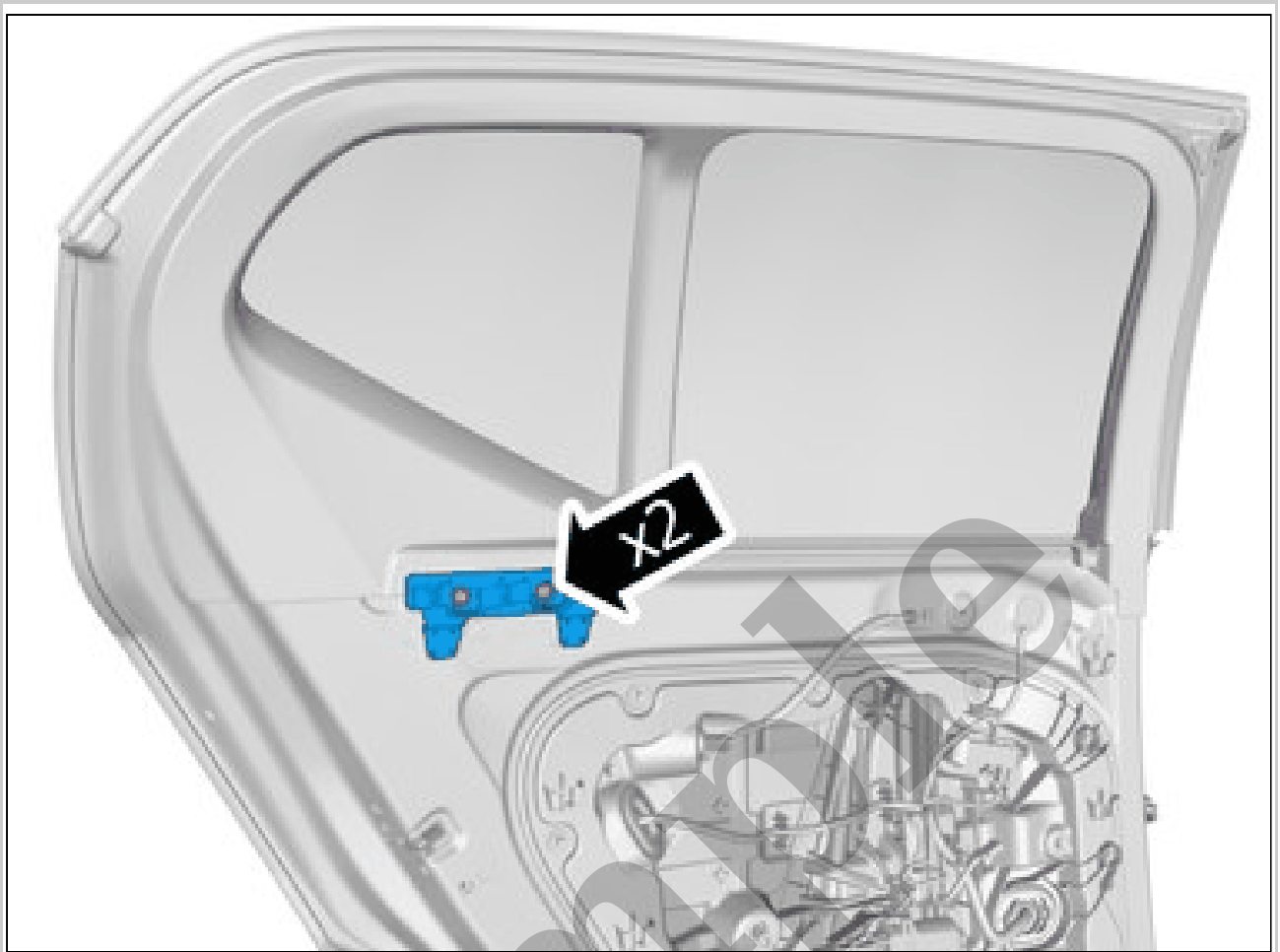


Courtesy of VOLVO CARS CORPORATION

HINT: This step may require the aid of another technician.

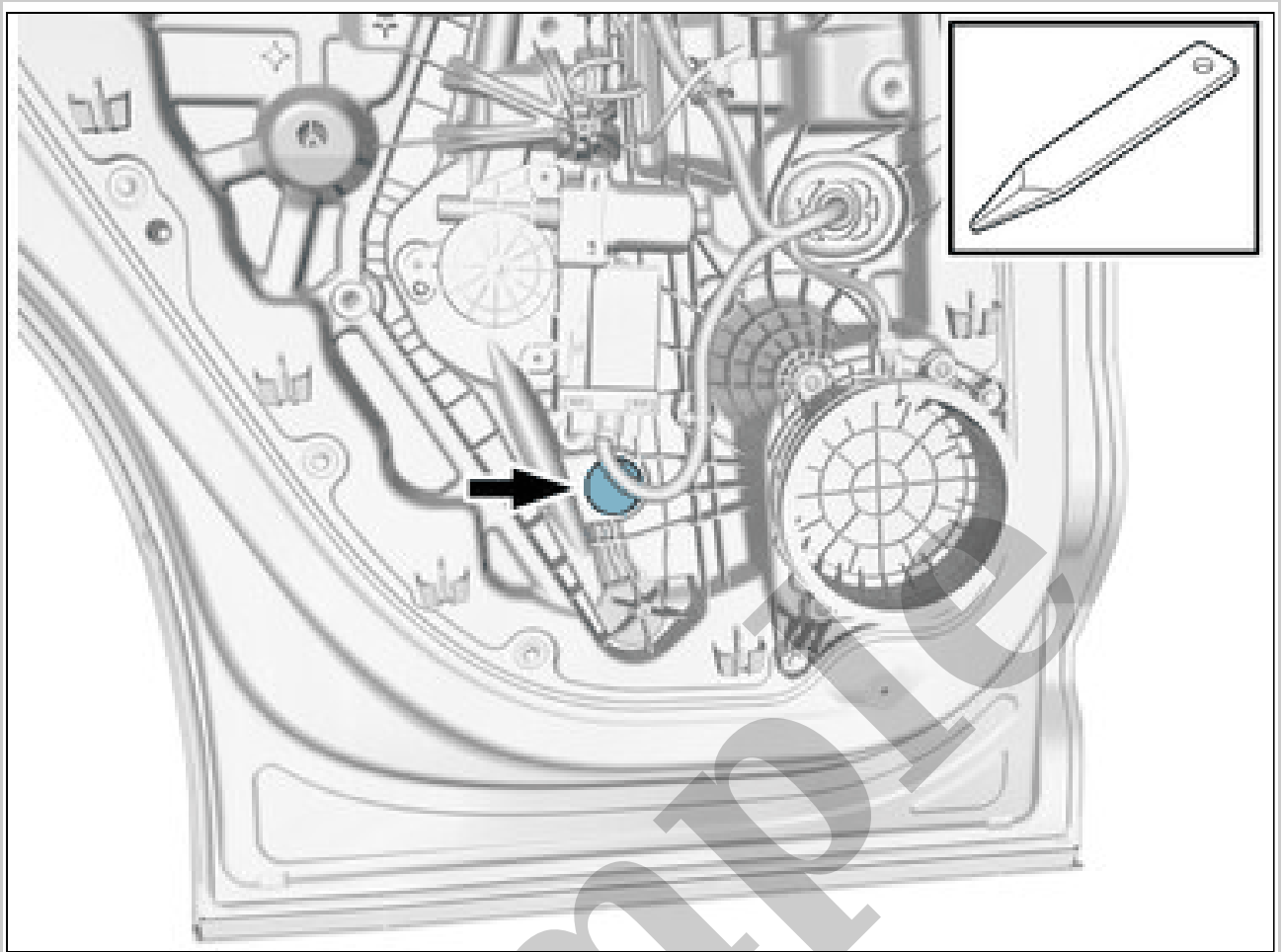
Release the locks.

Remove the marked part.



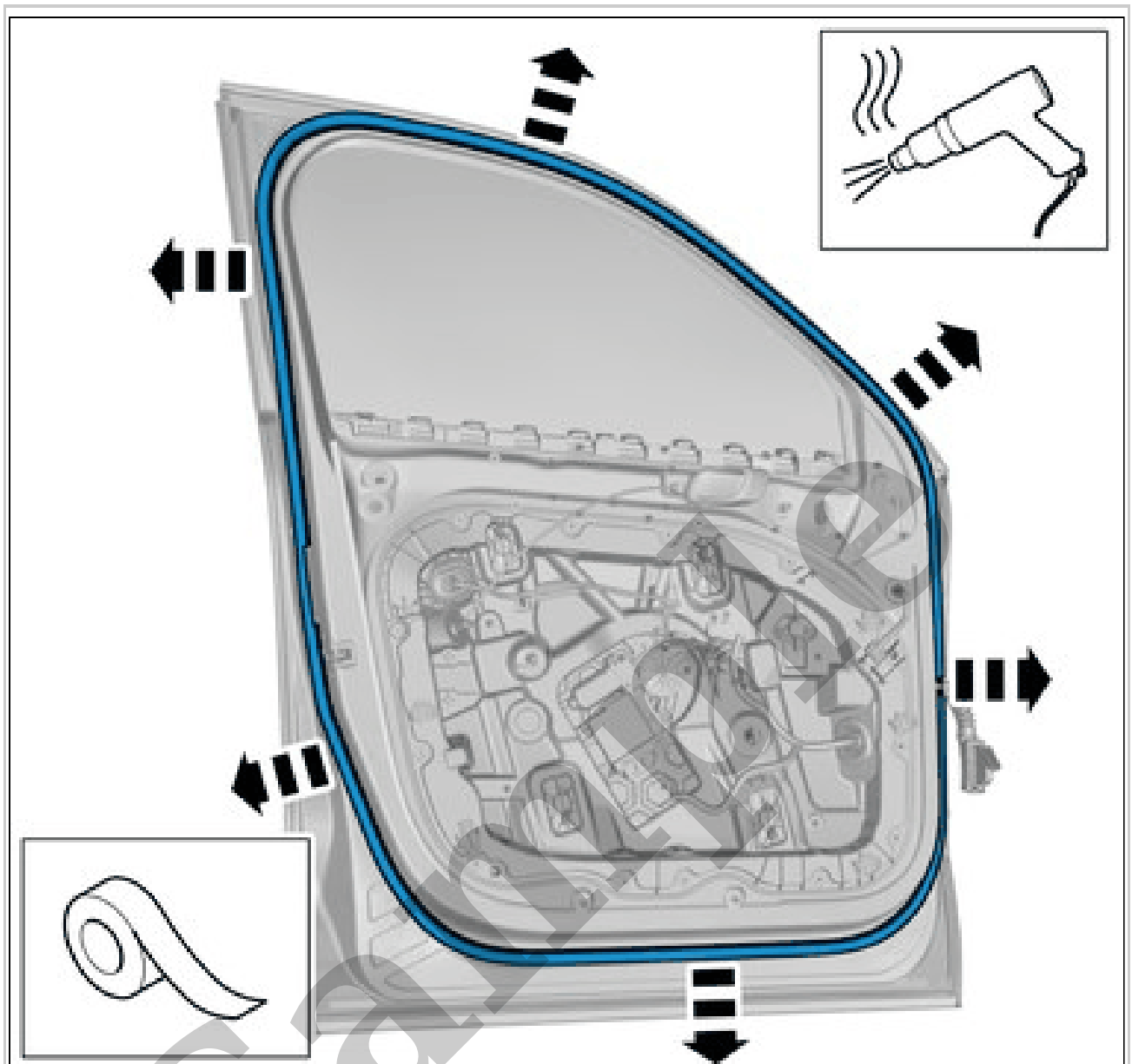
Courtesy of VOLVO CARS CORPORATION

Torque: M5, 5Nm
Remove the screws.



Courtesy of VOLVO CARS CORPORATION

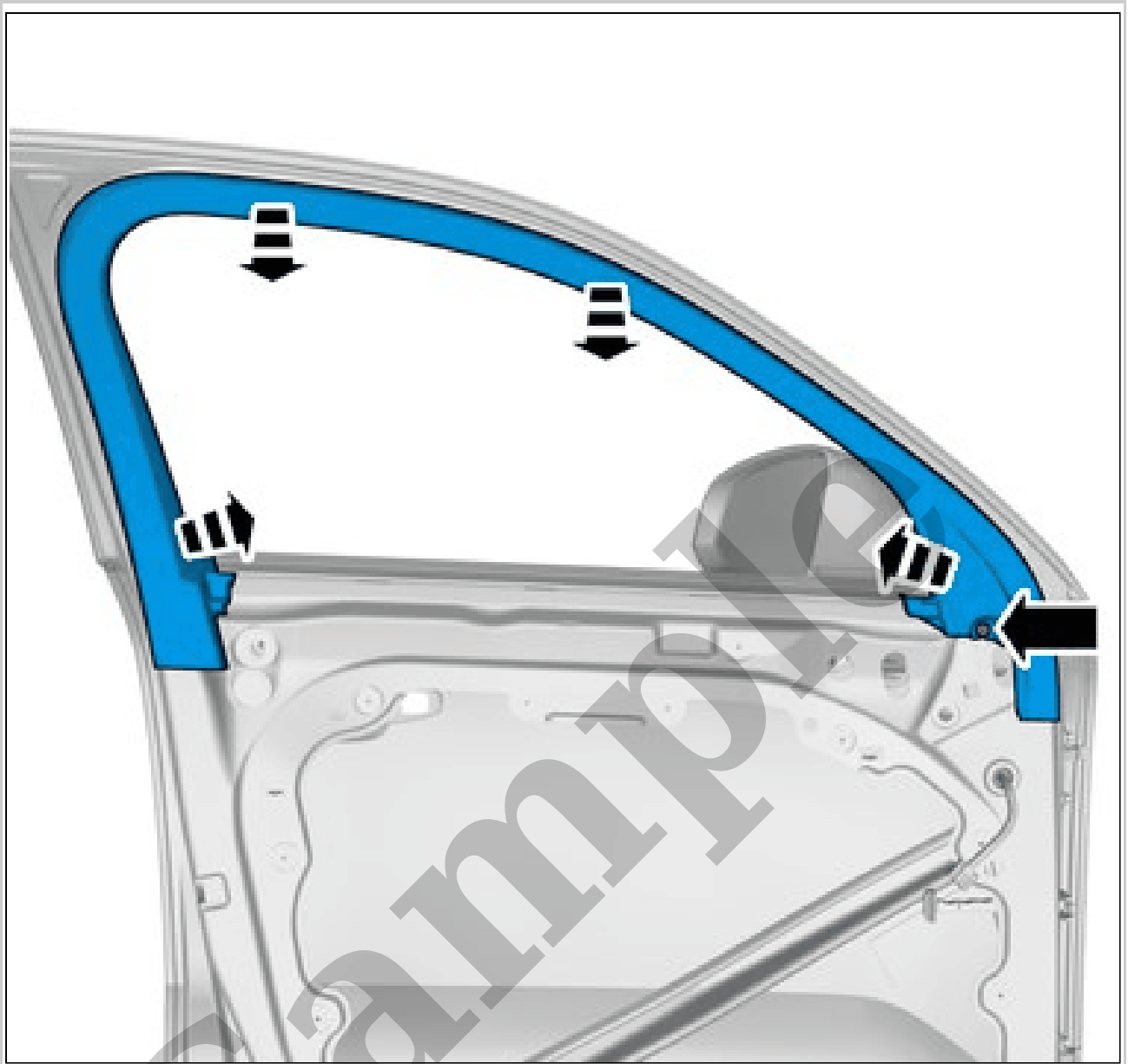
Remove the marked part.



Courtesy of VOLVO CARS CORPORATION

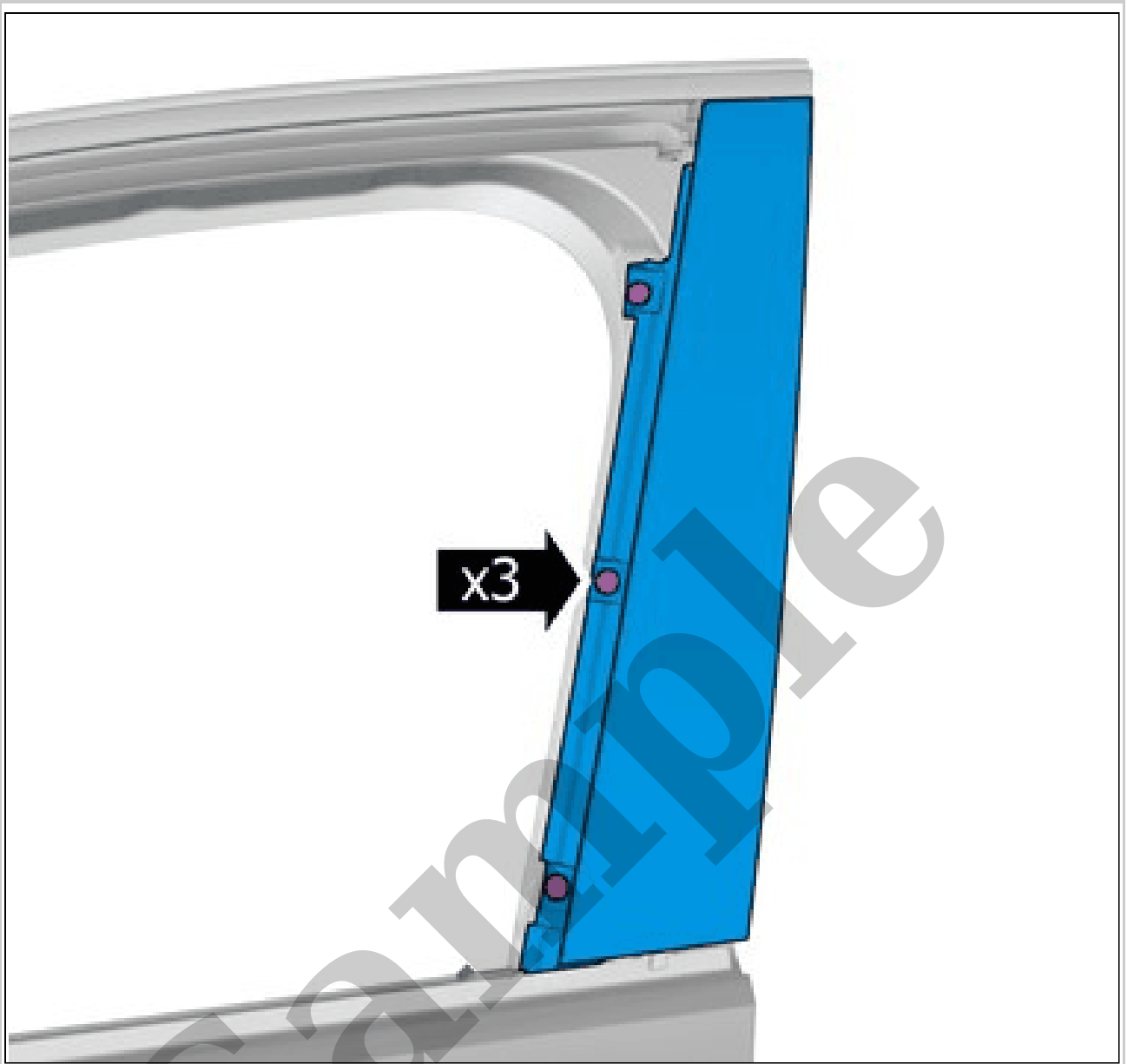
CAUTION: Make sure that the surrounding components are protected from heat.

CAUTION: Note the position of the component before removal.



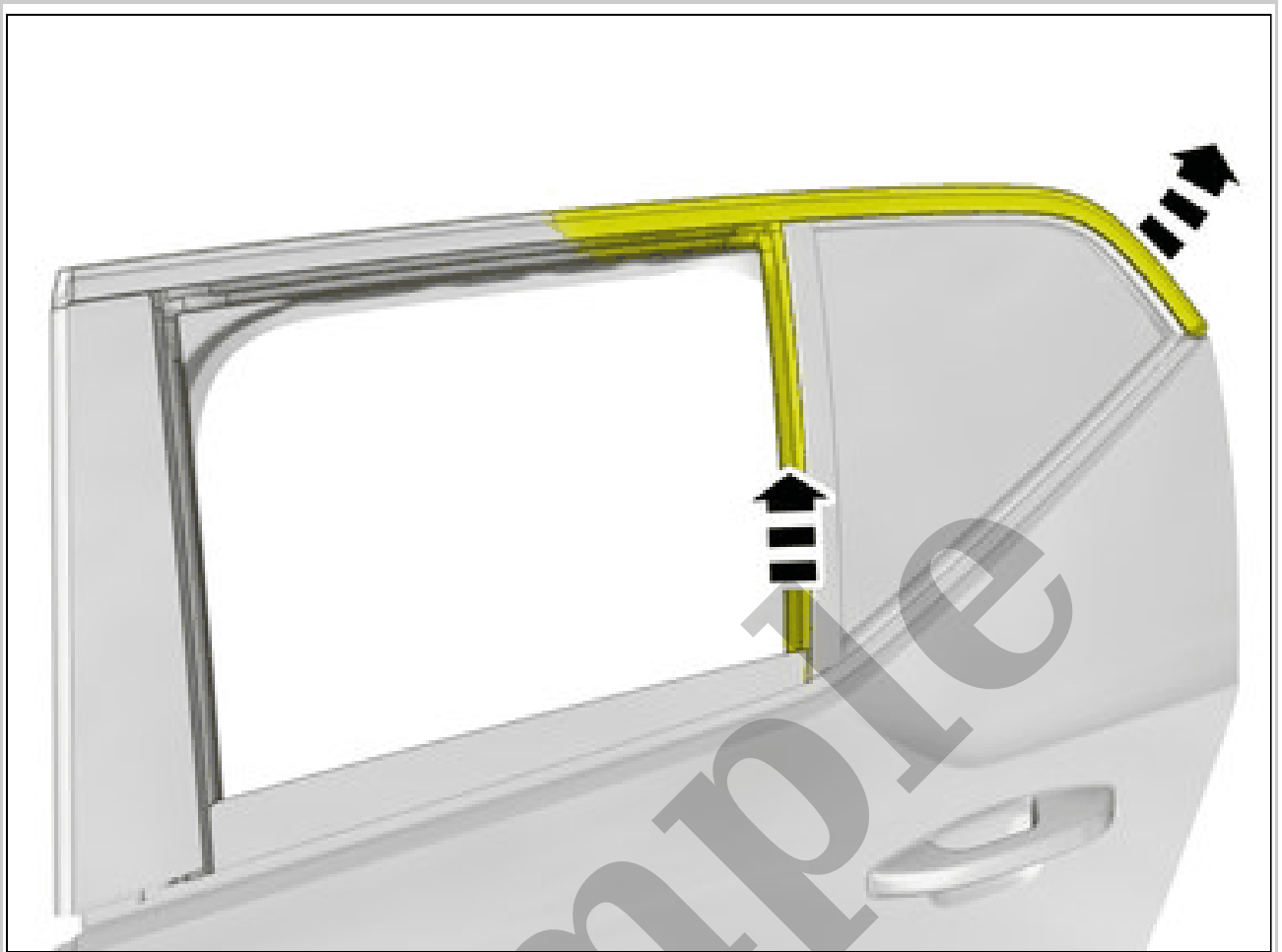
Courtesy of VOLVO CARS CORPORATION

Loosen the clip.
Remove the marked part.



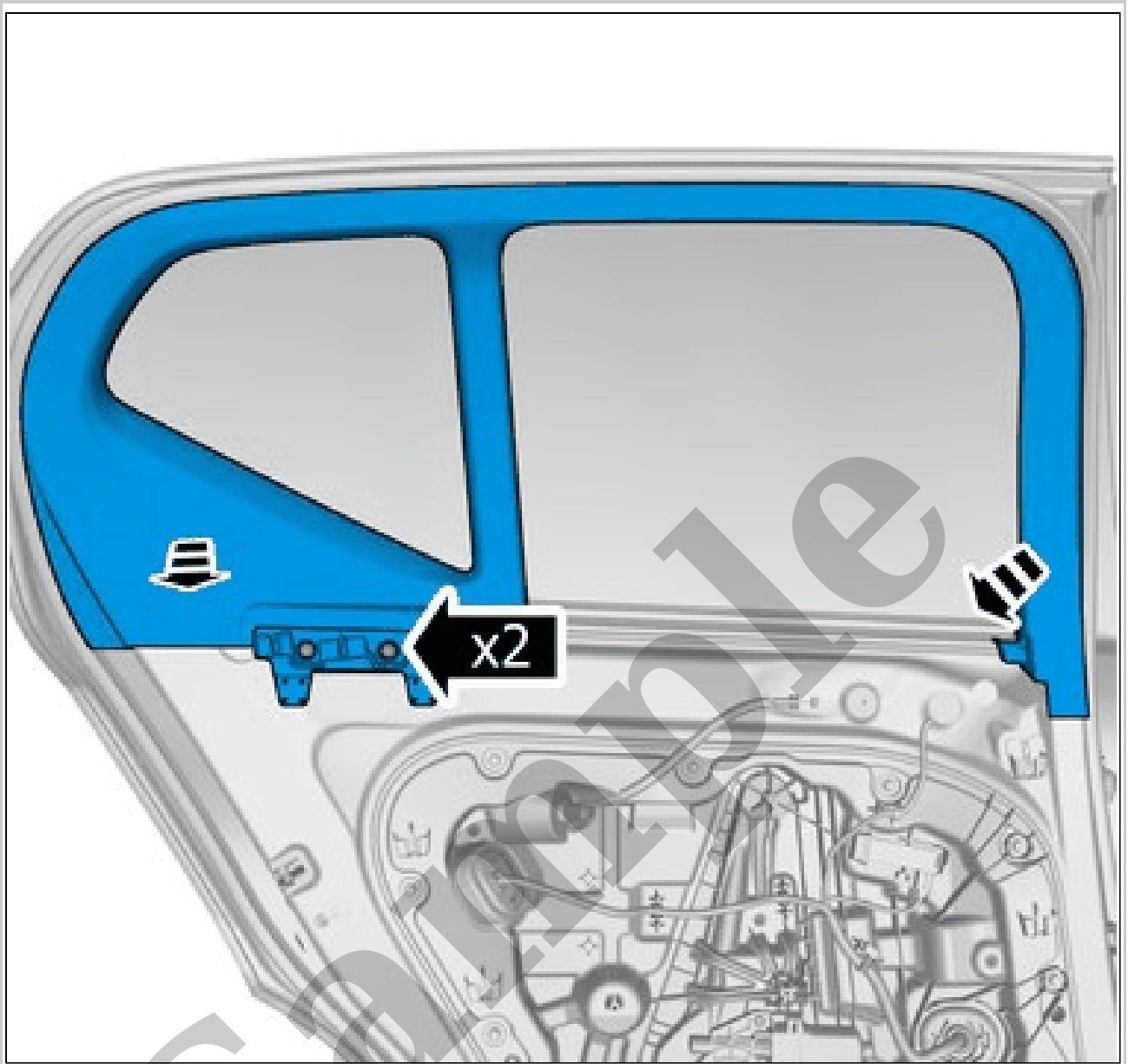
Courtesy of VOLVO CARS CORPORATION

Remove the screws.
Remove the marked part.



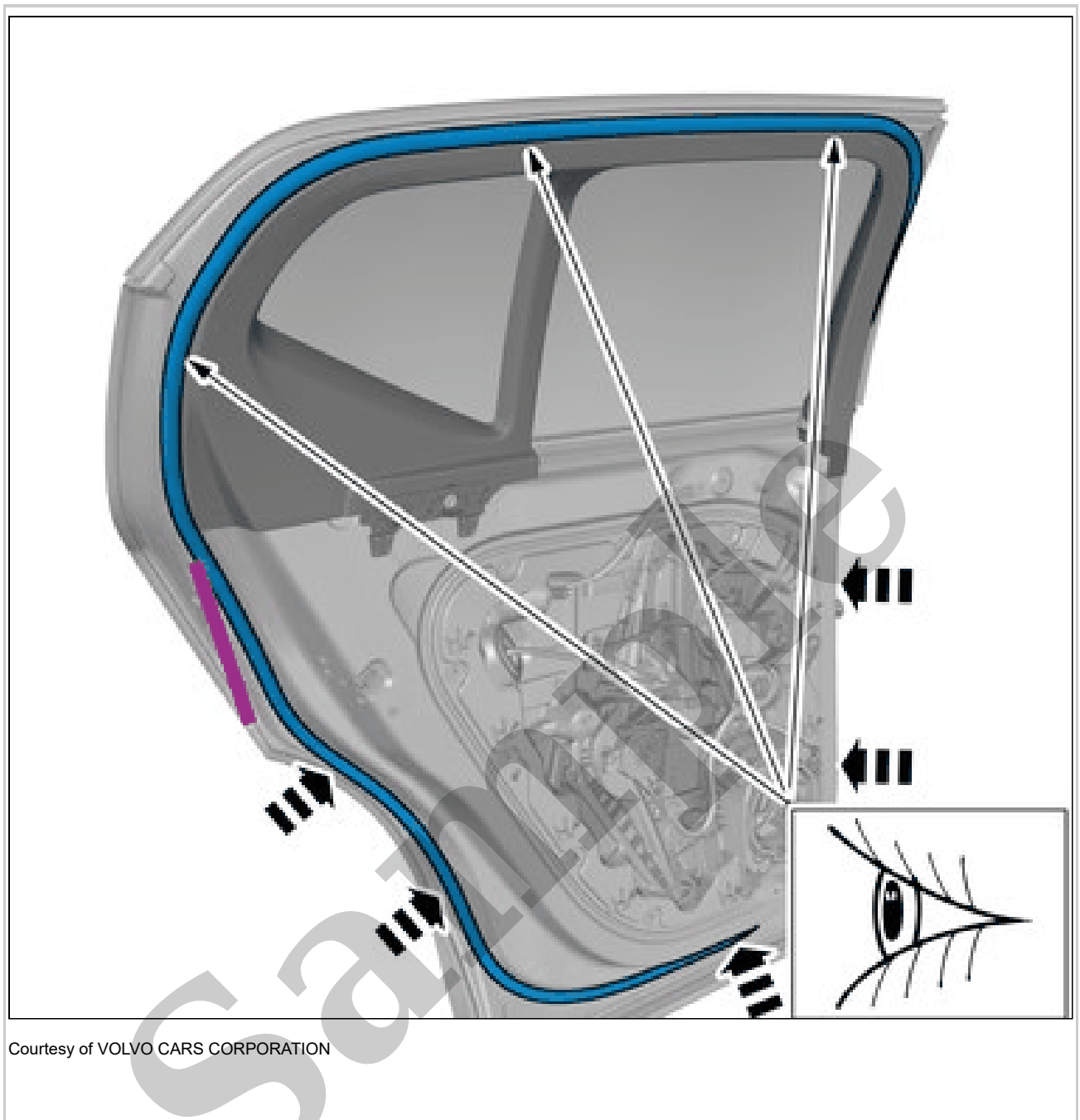
Courtesy of VOLVO CARS CORPORATION

Remove the part carefully



Courtesy of VOLVO CARS CORPORATION

Remove the screws.
Remove the marked part.
Torque: M6, 10Nm



Remove the protective film.
To install, reverse the removal procedure.

**WEATHERSTRIP, DOOR WINDOW, FRONT > WEATHERSTRIP, DOOR WINDOW,
FRONT [2018-2022] > REMOVAL**