

Your Ultimate Source for OEM Repair Manuals

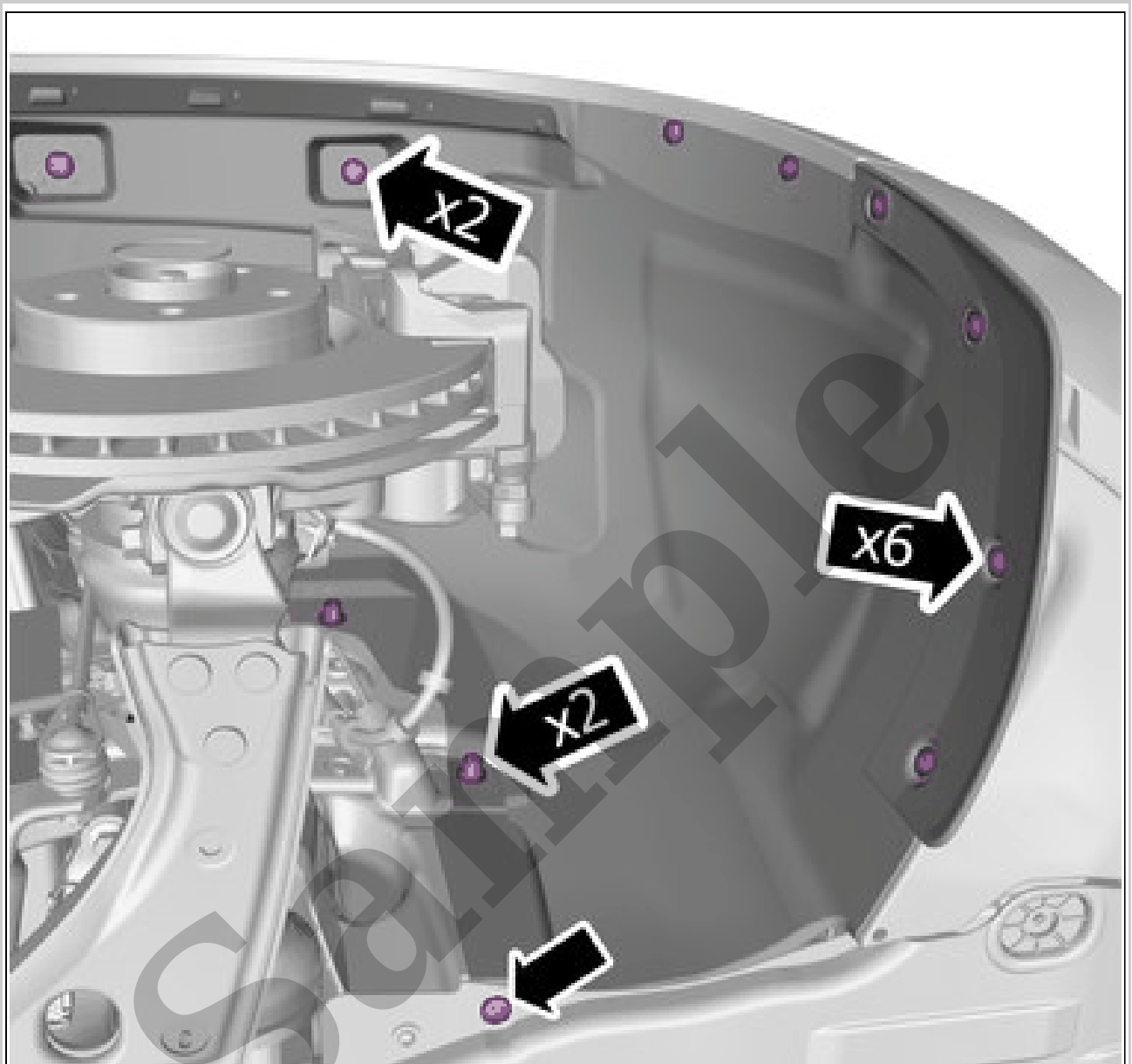
FactoryManuals.net is a great resource for anyone who wants to save money on repairs by doing their own work. The manuals provide detailed instructions and diagrams that make it easy to understand how to fix a vehicle.

2009 VOLVO V50 OEM Service and Repair Workshop Manual

[Go to manual page](#)

FRONT FENDER WIDENER > FRONT FENDER WIDENER [2018-2022] > REMOVAL

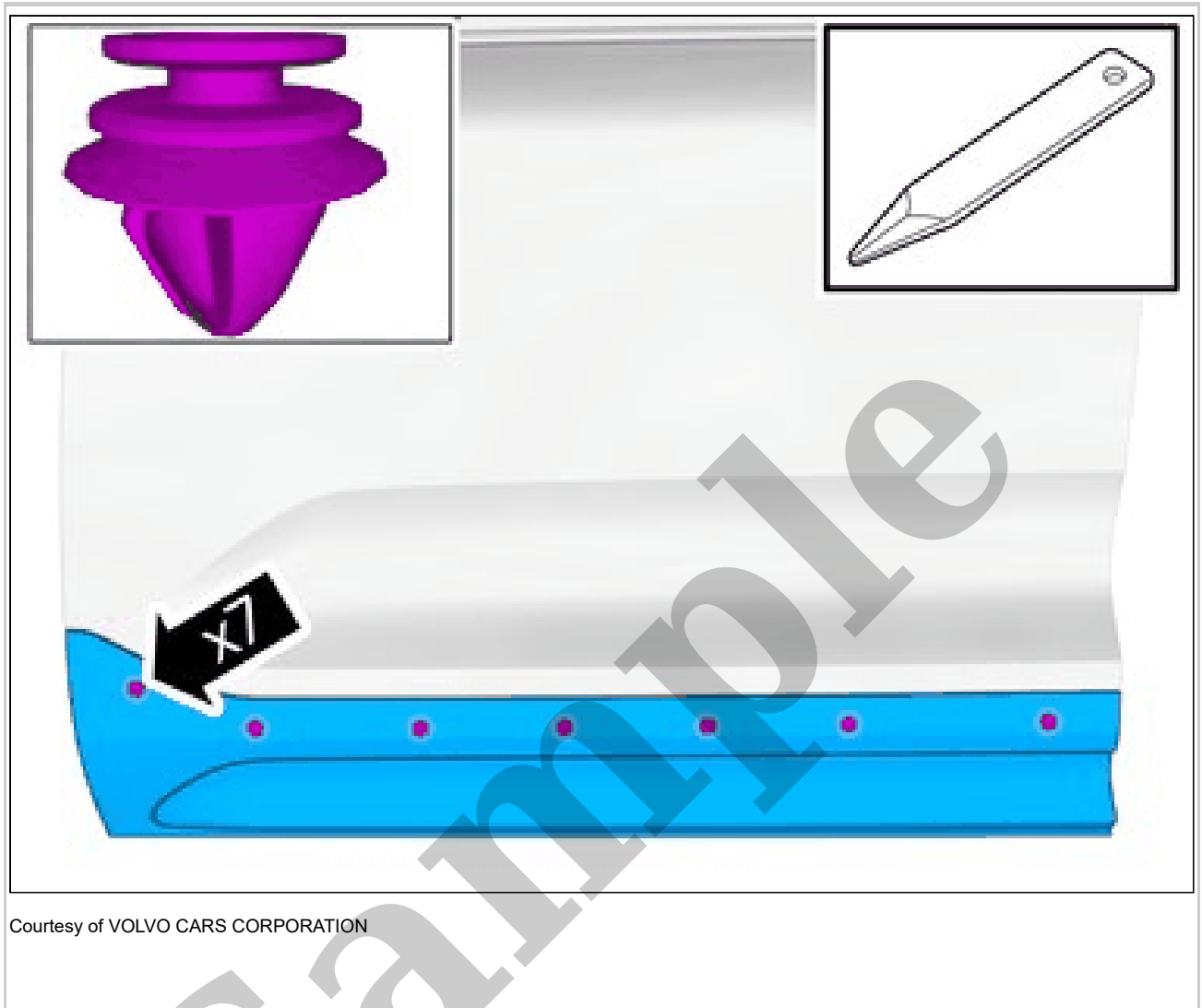
Remove the wheel. Refer to: WHEELS



Courtesy of VOLVO CARS CORPORATION

- Remove the screws.
- Remove the nuts.
- Remove the clips.

**LOWER TRIM STRIP, FRONT DOOR > LOWER TRIM STRIP, FRONT DOOR [2018-2022]
> REMOVAL**



Remove the marked part.

**LOWER TRIM STRIP, FRONT DOOR > LOWER TRIM STRIP, FRONT DOOR [2018-2022]
> INSTALLATION**

To install, reverse the removal procedure.

**LOWER TRIM STRIP, REAR DOOR > LOWER TRIM STRIP, REAR DOOR [2018-2022] >
REMOVAL**

mm

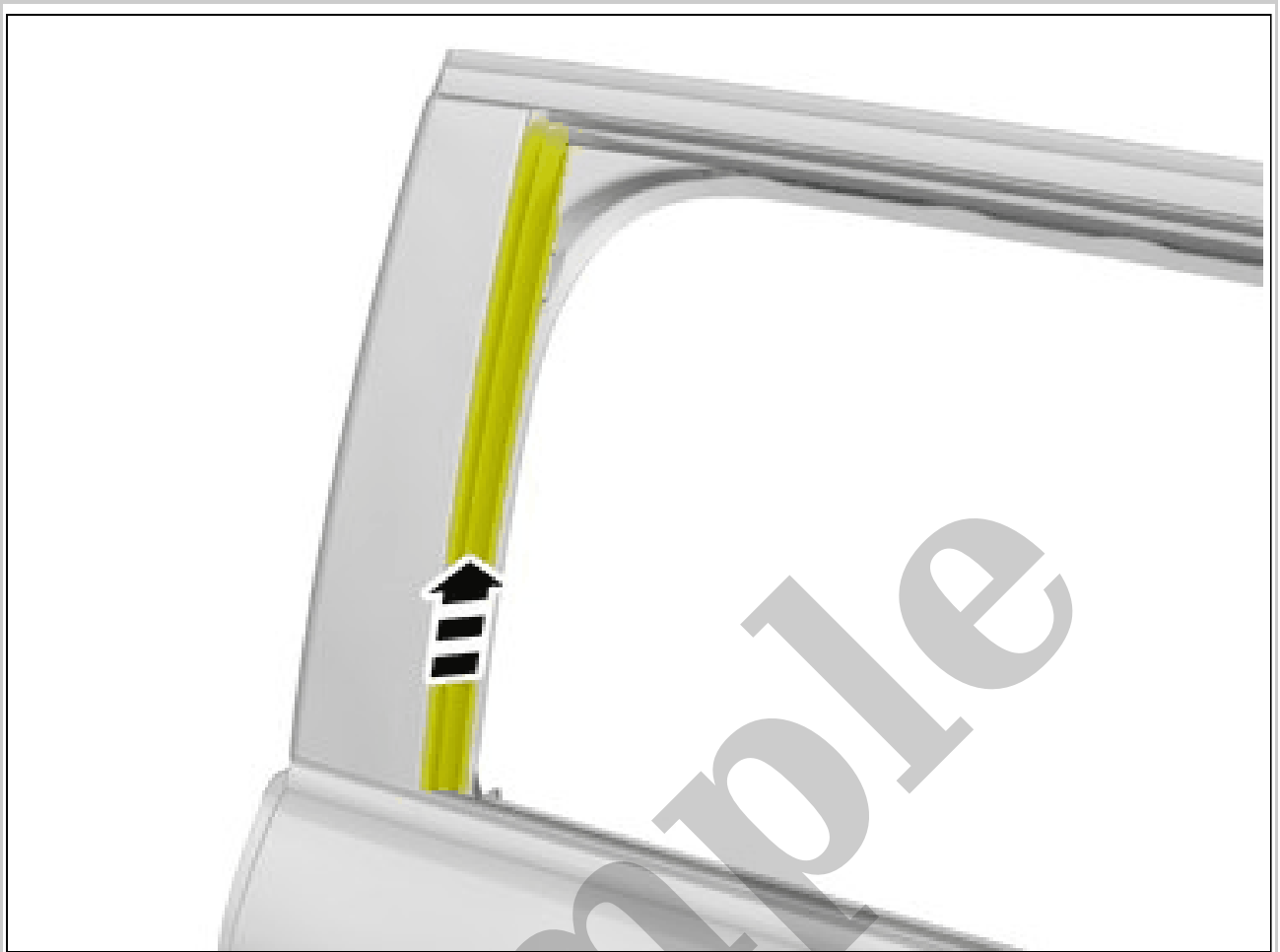


Courtesy of VOLVO CARS CORPORATION



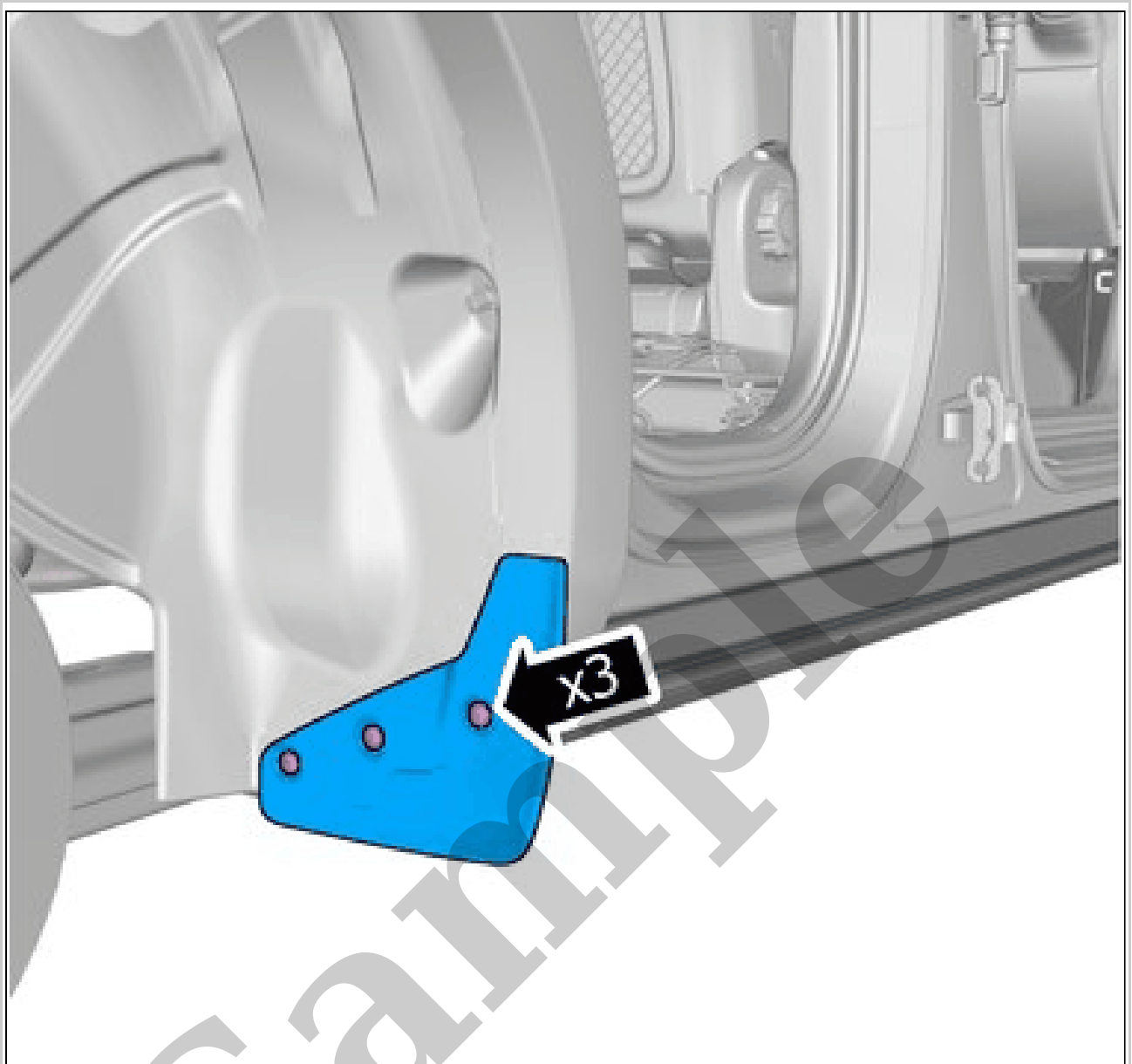
Courtesy of VOLVO CARS CORPORATION

Lift the marked component up



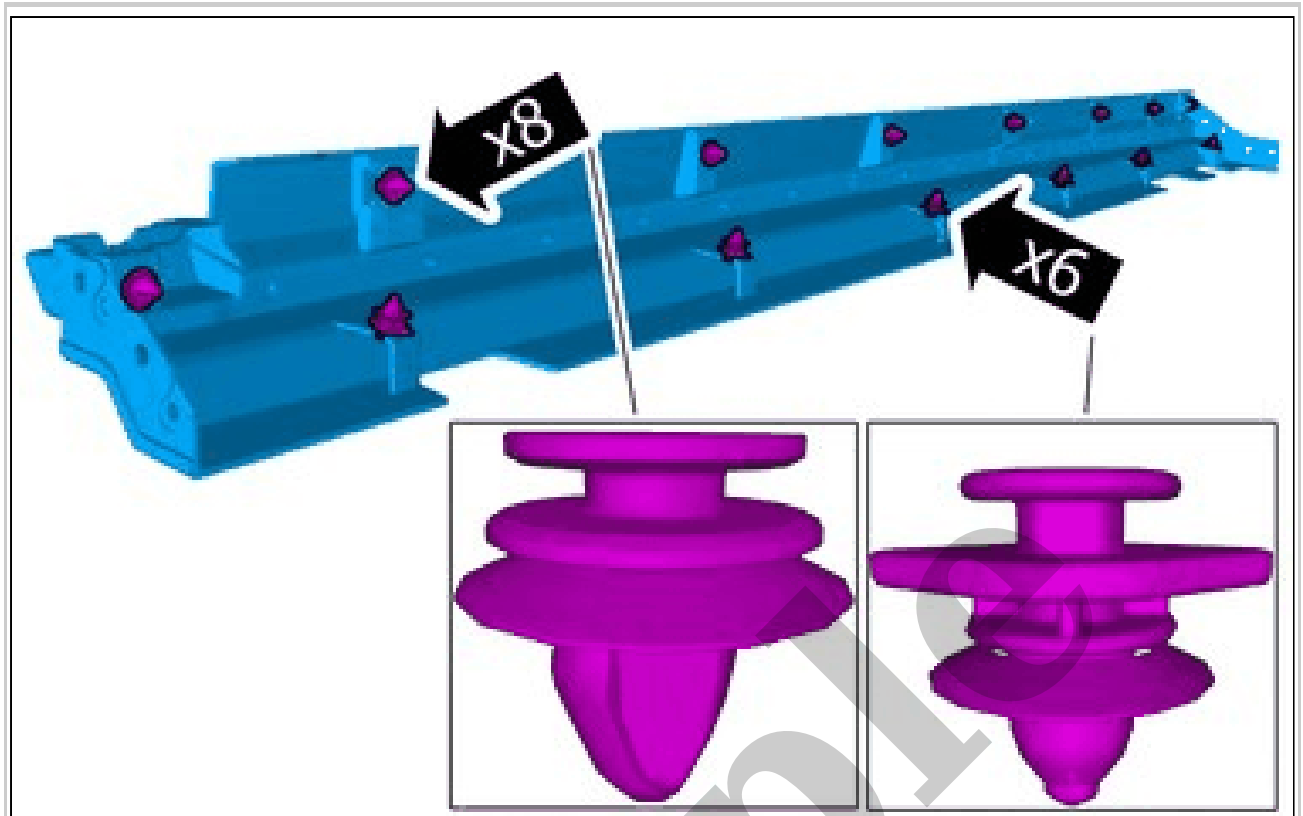
Courtesy of VOLVO CARS CORPORATION

Fold marked part aside.



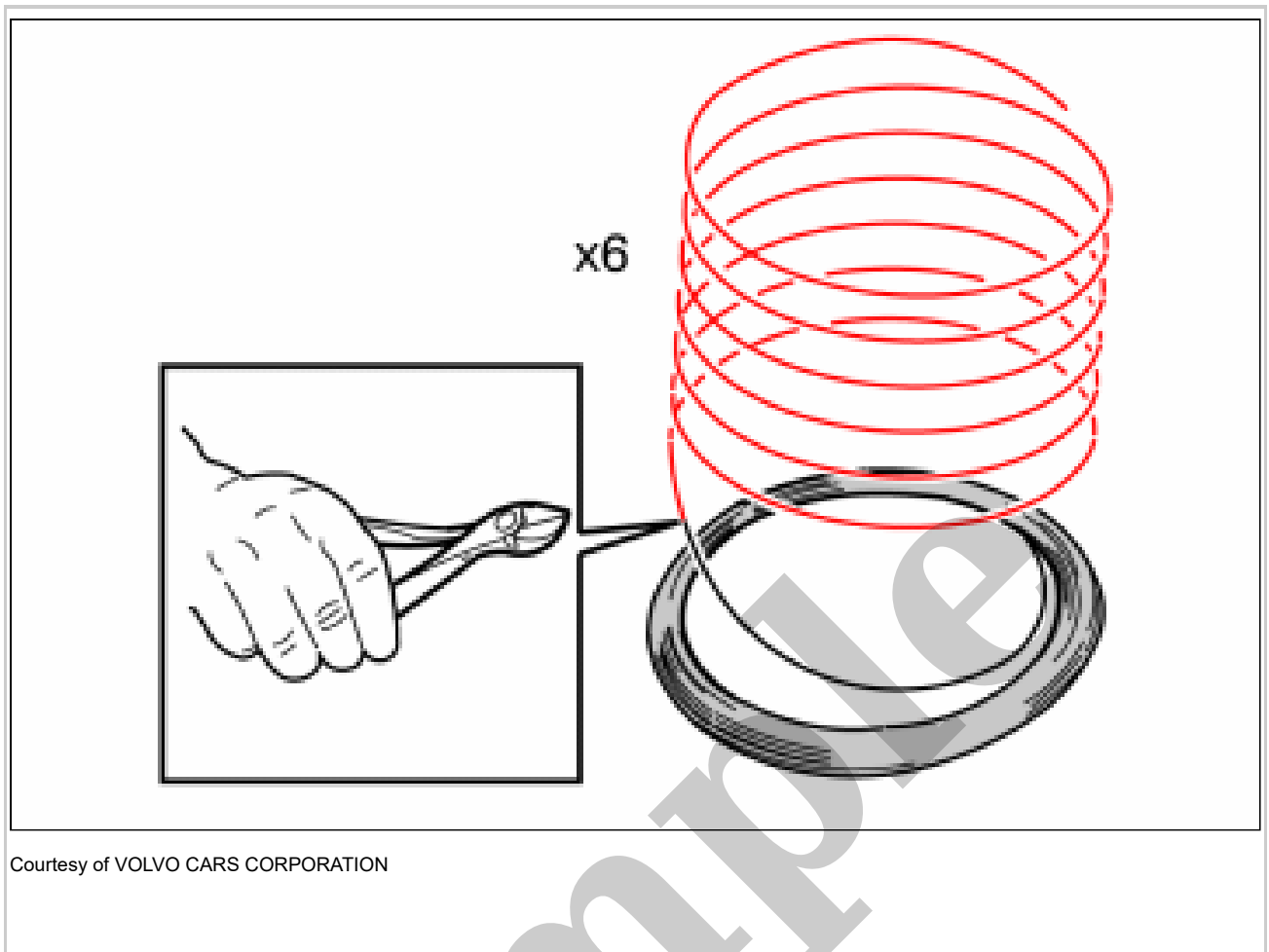
Courtesy of VOLVO CARS CORPORATION

Remove the screws.
Remove the marked part.



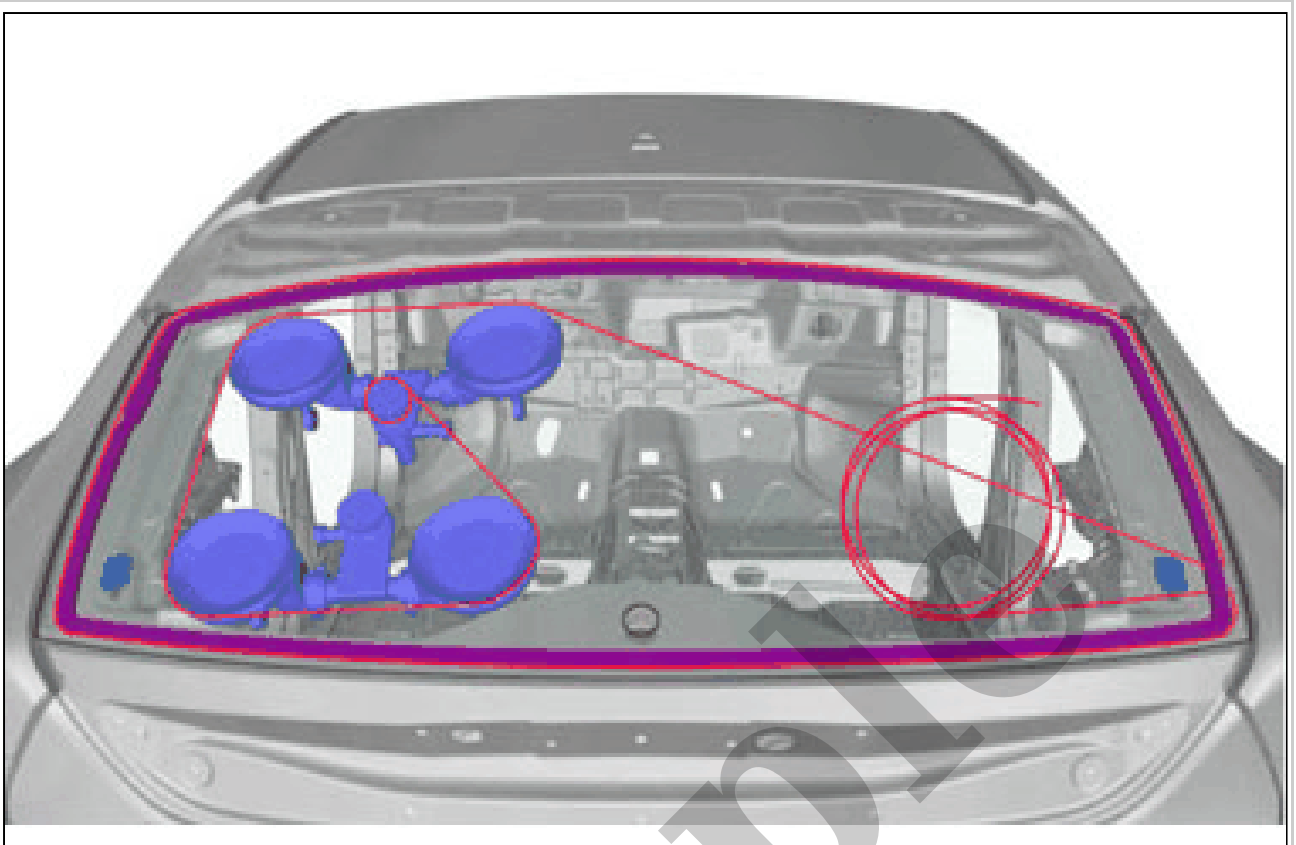
Courtesy of VOLVO CARS CORPORATION

The graphic shows the back of the component.



Courtesy of VOLVO CARS CORPORATION

Special Tool: 951 2925 Rollout 2000



Courtesy of VOLVO CARS CORPORATION

Sample