

Your Ultimate Source for OEM Repair Manuals

FactoryManuals.net is a great resource for anyone who wants to save money on repairs by doing their own work. The manuals provide detailed instructions and diagrams that make it easy to understand how to fix a vehicle.

2009 TOYOTA Camry Japan OEM Service and Repair Workshop Manual

[Go to manual page](#)

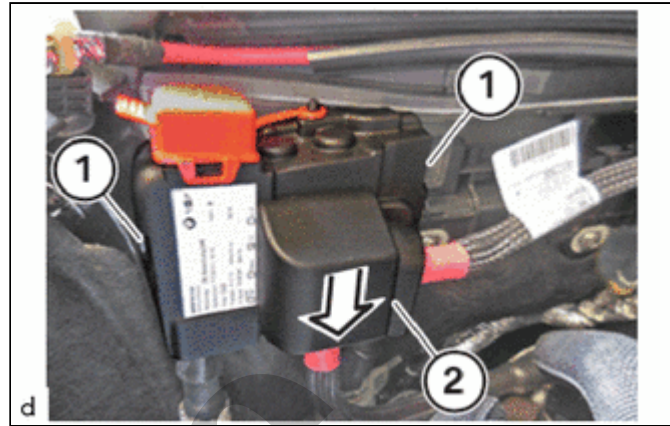
(e) Secure clamps (2).

(f) Tighten nut (1).

Torque:

19 N·m {194 kgf·cm, 14 ft·lbf}

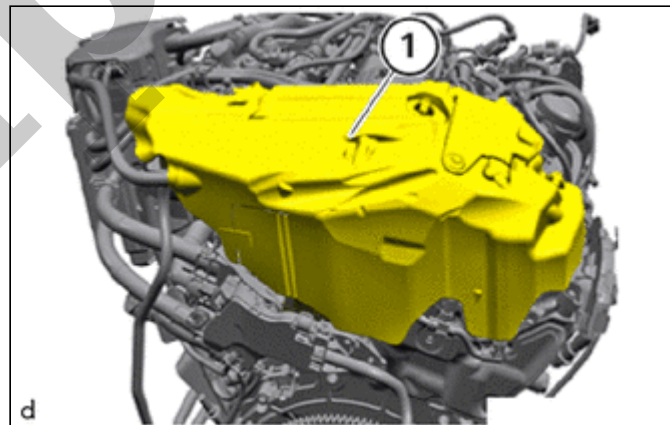
(g) Insert and install the cover (2) in the direction of the arrow.



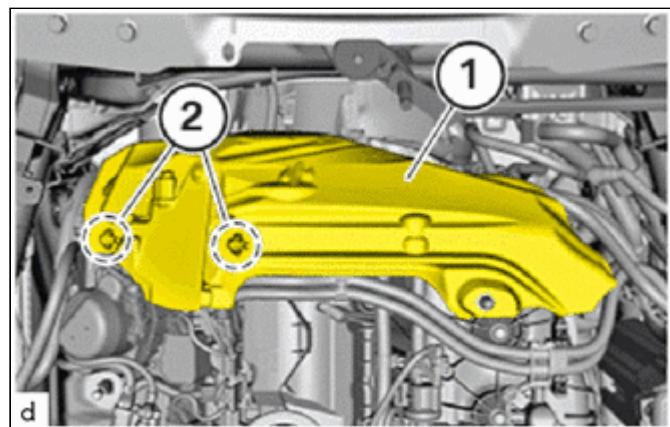
(h) The locks (1) must engage audibly.

39. INSTALL REAR CYLINDER BLOCK COVER

(a) Make sure the rear cylinder block cover (1) is correctly fitted on rear side of the engine.

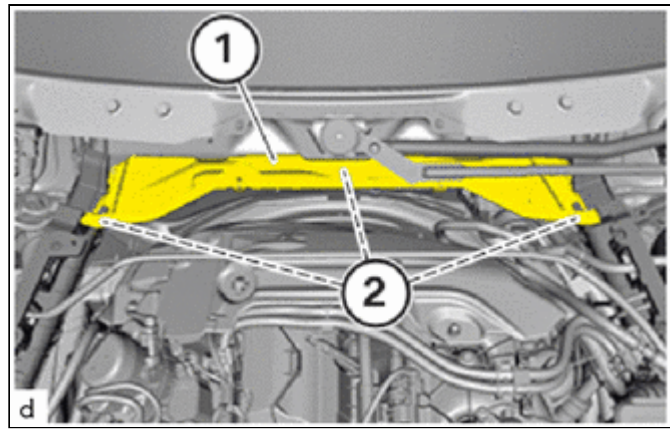


(b) Install the rear cylinder block cover (1) from the top and clip it in at the grommets (2).



40. INSTALL NO. 1 ENGINE COVER SUB-ASSEMBLY

NOTICE:

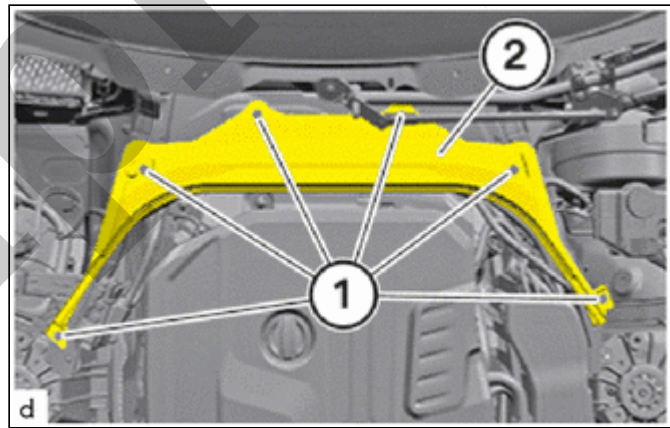


(b) Tighten down bolts and nut (2).

Torque:

2.6 N·m {27 kgf·cm, 23 in·lbf}

42. INSTALL COWL TOP VENTILATOR LOUVER PROTECTOR



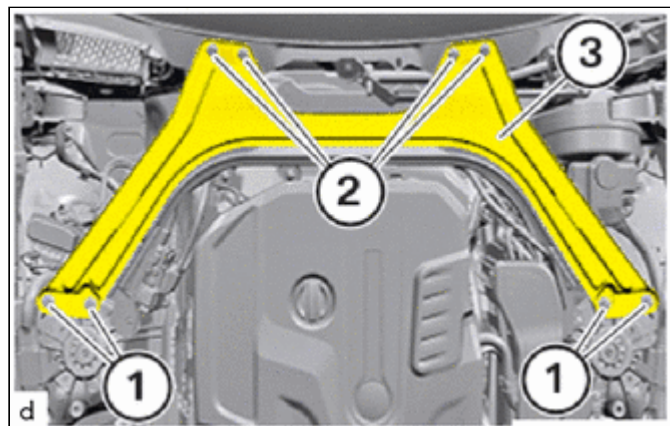
(a) Position the cowl top ventilator louver protector (2).

(b) Tighten the screws (1).

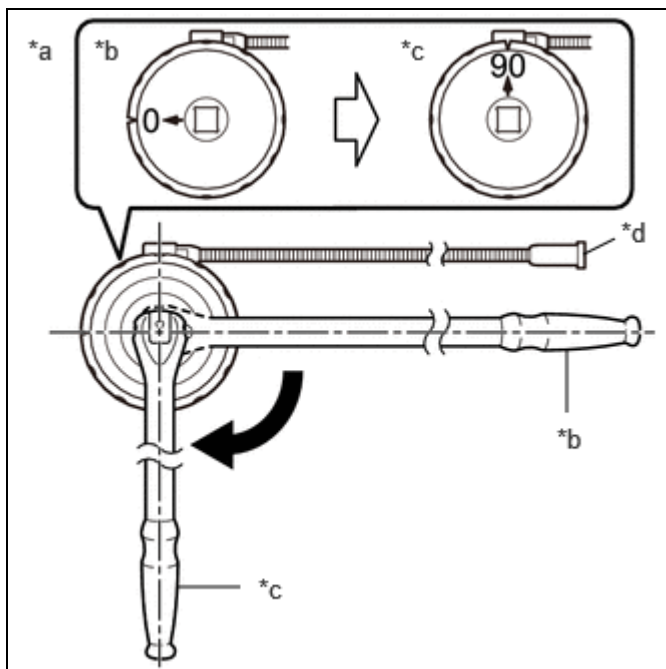
Torque:

2.6 N·m {27 kgf·cm, 23 in·lbf}

43. INSTALL UPPER FRONT SUSPENSION CENTER BRACE



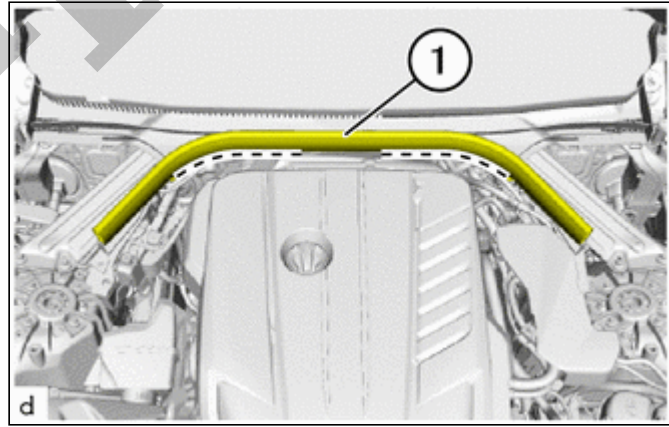
(a) Position upper front suspension center brace (3).



| | |
|----|-------------------|
| *a | Example |
| *b | Before Tightening |
| *c | After Tightening |
| *d | Magnetic Portion |

44. INSTALL HOOD TO COWL TOP SEAL

(a) Press the hood to cowl top seal (1) into the guide.



- (b) Feed the floor cable into the brackets in the marked area.
- (c) Make sure that the hood to cowl top seal (1) and the floor cable are fitted correctly.

45. INSTALL FRONT WIPER MOTOR AND LINK ASSEMBLY

Click here [INFO](#)

46. REMOVE AND INSTALL HOOD SUPPORT ASSEMBLY

- (a) Support the hood sub-assembly by hand.
- (b) Remove the special tool 0 493 647 (51 2 170)(3) from the ball pin (2).

SST: 09800-WA030

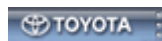
Click here [INFO](#)

56. ADJUST AUTOMATIC TRANSMISSION FLUID LEVEL

Click here [INFO](#)

57. INSTALL FRONT SUSPENSION MEMBER LOWER PROTECTOR

Click here [INFO](#)



Sample