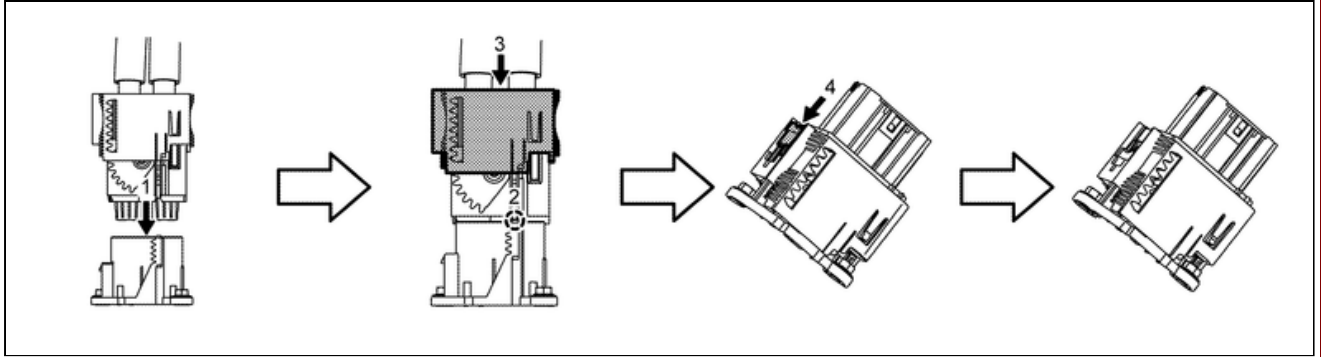


Your Ultimate Source for OEM Repair Manuals

FactoryManuals.net is a great resource for anyone who wants to save money on repairs by doing their own work. The manuals provide detailed instructions and diagrams that make it easy to understand how to fix a vehicle.

2009 NISSAN Titan Crew Cab OEM Service and Repair Workshop Manual

[Go to manual page](#)

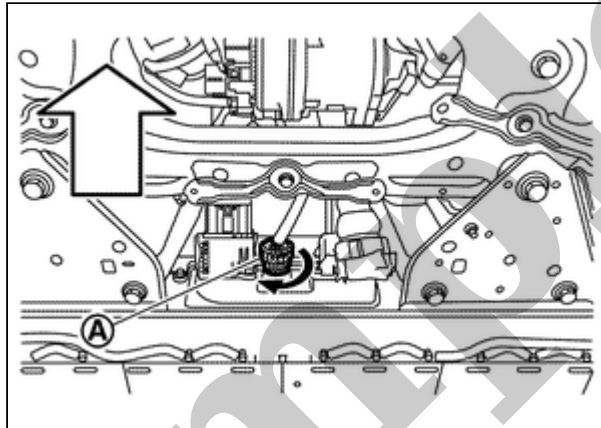


RPR-002038683-87-000346881

CAUTION:

After high voltage harness connector of quick charge port, check the connector for interlock.

22 Install vehicle communication connector of Li-ion battery while turning the connector clockwise.



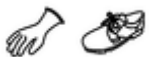
RPR-002038683-88-000346900



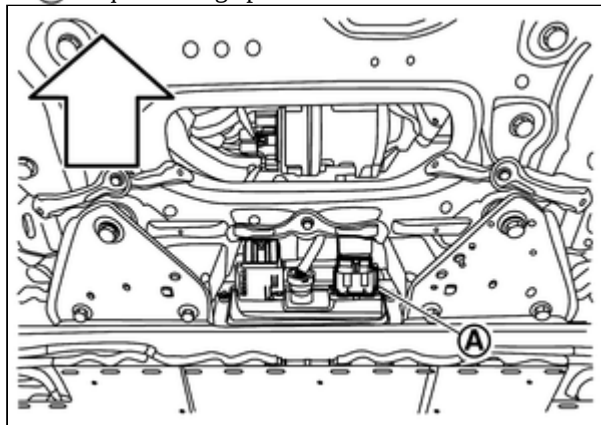
: Vehicle front

WARNING:

 To prevent electric shock, wear insulated protective gear.



23 Install high voltage harness connector **(A)** of quick charge port.



RPR-002038683-89-000346877



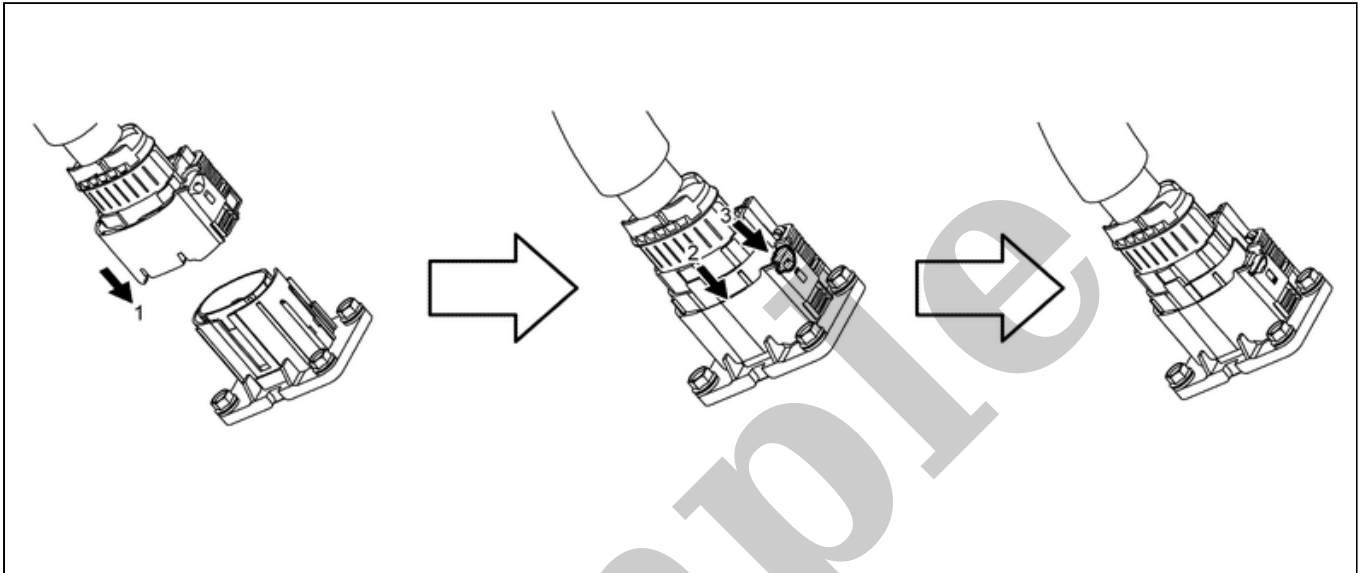
: Vehicle front

DANGER:

-  There is the danger of electric shock caused by contact with the terminals. Be sure to wear insulated protective gear.

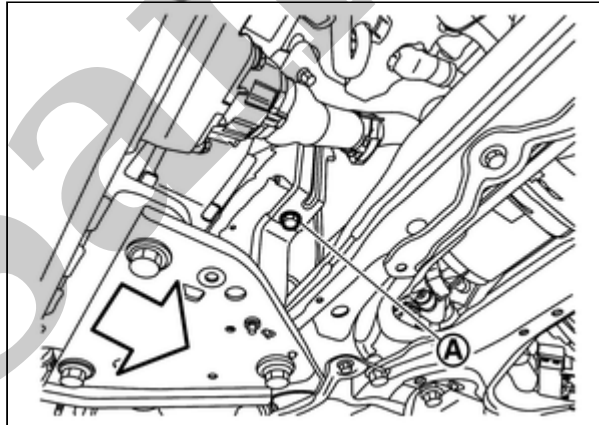


- Install high voltage connector according to the following procedure.



RPR-002038683-90-000346879

- 24 Install high voltage harness bracket mounting bolt **A** of quick charge port.



RPR-002038683-91-000346876

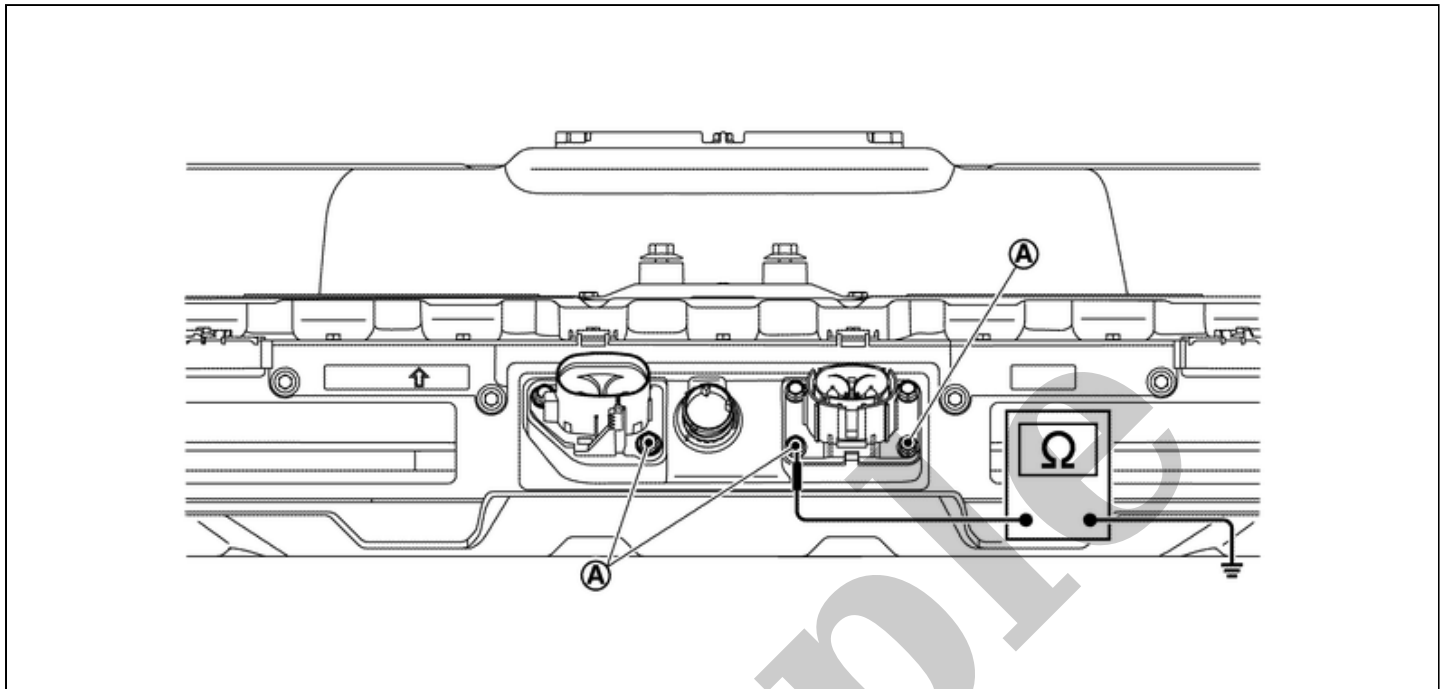


: Vehicle front

- 25 Install in the reverse order of removal.

Equipotential inspection

After installing battery pack to vehicle, measure resistance between battery pack ground bolt and body ground.



RPR-001999649-01-000373704

WARNING:



To prevent electric shock, wear insulated protective gear.

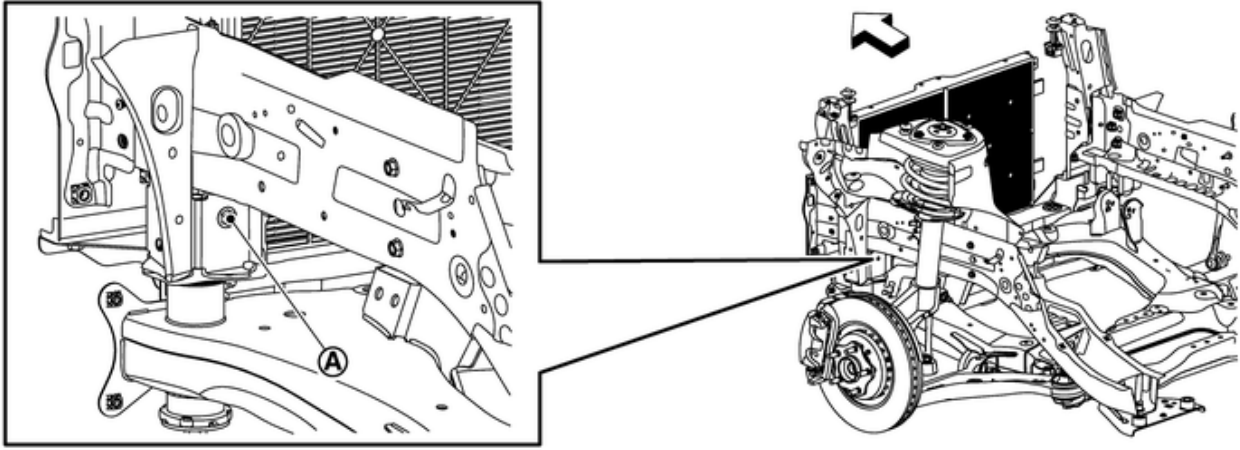


Specified value

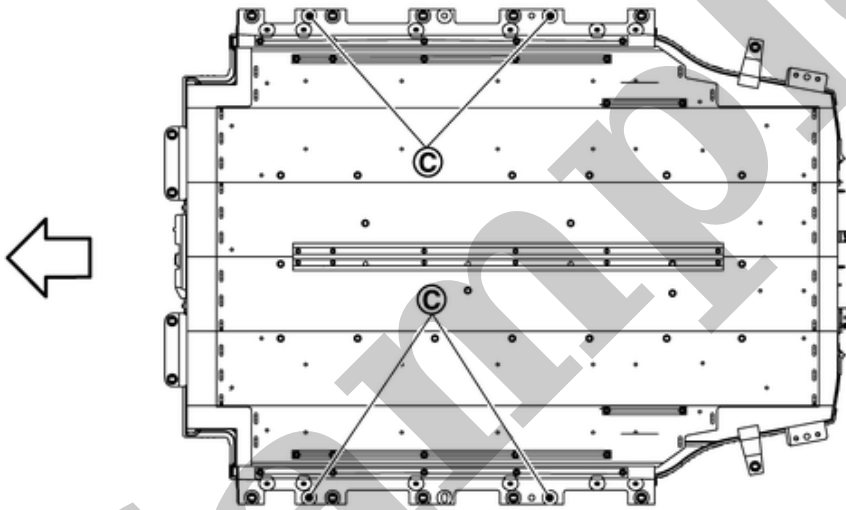
: Less than 0.1 Ω

If measured value deviates from the specified value, check ground bolts **A** & **C** for installation and tightening.

Ⓑ



Ⓓ



RPR-001999649-02-000373107

Ⓑ	: Left front frame
Ⓓ	: Li-ion battery bottom
←	Vehicle front

Self Diagnosis Result

DTC	CONSULT screen items	EV system warning lamp	Trip	HIGH VOLTAGE BATTERY (Main CPU)	HIGH VOLTAGE BATTERY 2 (Sub CPU)	Reference
P1B00-16	Power supply voltage	X	1	X		Refer to DTC Description .
P1B01-12	Cell voltage circuit	X	1	X		Refer to DTC Description .
P1B01-13	Cell voltage circuit	X	1	X		Refer to DTC Description .
P1B01-62	Cell voltage circuit	X	1	X		Refer to DTC Description .
P1B01-F1	Cell voltage circuit	X	1	X		Refer to DTC Description .
P1B01-F2	Cell voltage circuit	X	1	X		Refer to DTC Description .
P1B03-01	Current sensor	X	1	X		Refer to DTC Description .
P1B04-11	Module temperature sensor	X	1	X		Refer to DTC Description .
P1B04-15	Module temperature sensor	X	1	X		Refer to DTC Description .
P1B04-62	Module temperature sensor	X	1	X		Refer to DTC Description .
P1B05-11	Module temperature sensor	X	1	X		Refer to DTC Description .
P1B05-15	Module temperature sensor	X	1	X		Refer to DTC Description .
P1B05-62	Module temperature sensor	X	1	X		Refer to DTC Description .
P1B07-11	Water temperature sensor A	X	1	X		Refer to DTC Description .
P1B07-15	Water temperature sensor A	X	1	X		Refer to DTC Description .
P1B0C-98	Battery pack temperature	X	1	X		Refer to DTC Description .
P1B0C-FB	Battery pack temperature	X	1	X		Refer to DTC Description .
P1B0D-41	Li-ion battery controller	X	1	X		Refer to DTC Description .
P1B0E-41	Li-ion battery controller	X	1	X		Refer to DTC Description .
P1B0F-49	Li-ion battery controller	X	1	X		Refer to DTC Description .
P1B12-04	ASIC	X	1	X		Refer to DTC Description .
P1B12-08	ASIC	X	1	X		Refer to DTC Description .

DTC	CONSULT screen items	EV system warning lamp	Trip	HIGH VOLTAGE BATTERY (Main CPU)	HIGH VOLTAGE BATTERY 2 (Sub CPU)	Reference
P1B12-12	ASIC	X	1	X		Refer to DTC Description .
P1B12-13	ASIC	X	1	X		Refer to DTC Description .
P1B12-38	ASIC	X	1	X		Refer to DTC Description .
P1B12-41	ASIC	X	1	X		Refer to DTC Description .
P1B12-49	ASIC	X	1	X		Refer to DTC Description .
P1B12-96	ASIC	X	1	X		Refer to DTC Description .
P1B15-11	High voltage relay thermistor	X	1	X		Refer to DTC Description .
P1B15-15	High voltage relay thermistor	X	1	X		Refer to DTC Description .
P1B18-11	Interlock detecting switch 1	X	1	X		Refer to DTC Description .
P1B18-12	Interlock detecting switch 1	X	1	X		Refer to DTC Description .
P1B18-15	Interlock detecting switch 1	X	1	X		Refer to DTC Description .
P1B19-11	Interlock detecting switch 2	X	1	X		Refer to DTC Description .
P1B19-12	Interlock detecting switch 2	X	1	X		Refer to DTC Description .
P1B19-15	Interlock detecting switch 2	X	1	X		Refer to DTC Description .
P1B1A-11	Interlock detecting switch 3	X	1	X		Refer to DTC Description .
P1B1A-12	Interlock detecting switch 3	X	1	X		Refer to DTC Description .
P1B1A-15	Interlock detecting switch 3	X	1	X		Refer to DTC Description .
P1B1B-11	Interlock detecting switch 4	X	1	X		Refer to DTC Description .
P1B1B-12	Interlock detecting switch 4	X	1	X		Refer to DTC Description .
P1B1B-15	Interlock detecting switch 4	X	1	X		Refer to DTC Description .
P1B1E-1C	Current sensor	X	1	X		Refer to DTC Description .
P1B1F-81	Current sensor	X	1	X		Refer to DTC Description .
P1B1F-87	Current sensor	X	1	X		Refer to DTC Description .
P1B20-11	Relay 4 control circuit	X	1	X		Refer to DTC Description .

DTC	CONSULT screen items	EV system warning lamp	Trip	HIGH VOLTAGE BATTERY (Main CPU)	HIGH VOLTAGE BATTERY 2 (Sub CPU)	Reference
P1B20-15	Relay 4 control circuit	X	1	X		Refer to DTC Description .
P1B20-87	Relay 4 control circuit	X	1	X		Refer to DTC Description .
P1B21-43	FOTA	X	1	X		Refer to DTC Description .
P1B30-11	Module temperature sensor 1		1	X		Refer to DTC Description .
P1B30-15	Module temperature sensor 1		1	X		Refer to DTC Description .
P1B30-62	Module temperature sensor 1		1	X		Refer to DTC Description .
P1B31-11	Module temperature sensor 2		1	X		Refer to DTC Description .
P1B31-15	Module temperature sensor 2		1	X		Refer to DTC Description .
P1B31-62	Module temperature sensor 2		1	X		Refer to DTC Description .
P1B32-11	Module temperature sensor 3		1	X		Refer to DTC Description .
P1B32-15	Module temperature sensor 3		1	X		Refer to DTC Description .
P1B32-62	Module temperature sensor 3		1	X		Refer to DTC Description .
P1B33-11	Module temperature sensor 4		1	X		Refer to DTC Description .
P1B33-15	Module temperature sensor 4		1	X		Refer to DTC Description .
P1B33-62	Module temperature sensor 4		1	X		Refer to DTC Description .
P1B34-11	Module temperature sensor 5		1	X		Refer to DTC Description .
P1B34-15	Module temperature sensor 5		1	X		Refer to DTC Description .
P1B34-62	Module temperature sensor 5		1	X		Refer to DTC Description .
P1B35-11	Module temperature sensor 6		1	X		Refer to DTC Description .
P1B35-15	Module temperature sensor 6		1	X		Refer to DTC Description .
P1B35-62	Module temperature sensor 6		1	X		Refer to DTC Description .
P1B36-11	Module temperature sensor 7		1	X		Refer to DTC Description .
P1B36-15	Module temperature sensor 7		1	X		Refer to DTC Description .
P1B36-62	Module temperature sensor 7		1	X		Refer to DTC Description .

DTC	CONSULT screen items	EV system warning lamp	Trip	HIGH VOLTAGE BATTERY (Main CPU)	HIGH VOLTAGE BATTERY 2 (Sub CPU)	Reference
P1B37-11	Module temperature sensor 8		1	X		Refer to DTC Description .
P1B37-15	Module temperature sensor 8		1	X		Refer to DTC Description .
P1B37-62	Module temperature sensor 8		1	X		Refer to DTC Description .
P1B38-11	Module temperature sensor 9		1	X		Refer to DTC Description .
P1B38-15	Module temperature sensor 9		1	X		Refer to DTC Description .
P1B38-62	Module temperature sensor 9		1	X		Refer to DTC Description .
P1B39-11	Module temperature sensor 10		1	X		Refer to DTC Description .
P1B39-15	Module temperature sensor 10		1	X		Refer to DTC Description .
P1B39-62	Module temperature sensor 10		1	X		Refer to DTC Description .
P1B3A-11	Module temperature sensor 11		1	X		Refer to DTC Description .
P1B3A-15	Module temperature sensor 11		1	X		Refer to DTC Description .
P1B3A-62	Module temperature sensor 11		1	X		Refer to DTC Description .
P1B3B-11	Module temperature sensor 12		1	X		Refer to DTC Description .
P1B3B-15	Module temperature sensor 12		1	X		Refer to DTC Description .
P1B3B-62	Module temperature sensor 12		1	X		Refer to DTC Description .
P1B3C-11	Module temperature sensor 13		1	X		Refer to DTC Description .
P1B3C-15	Module temperature sensor 13		1	X		Refer to DTC Description .
P1B3C-62	Module temperature sensor 13		1	X		Refer to DTC Description .
P1B3D-11	Module temperature sensor 14		1	X		Refer to DTC Description .
P1B3D-15	Module temperature sensor 14		1	X		Refer to DTC Description .
P1B3D-62	Module temperature sensor 14		1	X		Refer to DTC Description .
P1B3E-11	Module temperature sensor 15		1	X		Refer to DTC Description .
P1B3E-15	Module temperature sensor 15		1	X		Refer to DTC Description .
P1B3E-62	Module temperature sensor 15		1	X		Refer to DTC Description .

DTC	CONSULT screen items	EV system warning lamp	Trip	HIGH VOLTAGE BATTERY (Main CPU)	HIGH VOLTAGE BATTERY 2 (Sub CPU)	Reference
P1B3F-11	Module temperature sensor 16		1	X		Refer to DTC Description .
P1B3F-15	Module temperature sensor 16		1	X		Refer to DTC Description .
P1B3F-62	Module temperature sensor 16		1	X		Refer to DTC Description .
P1B60-12	Cell voltage circuit (Module 1)		1	X		Refer to DTC Description .
P1B60-13	Cell voltage circuit (Module 1)		1	X		Refer to DTC Description .
P1B60-F1	Cell voltage circuit (Module 1)		1	X		Refer to DTC Description .
P1B60-F2	Cell voltage circuit (Module 1)		1	X		Refer to DTC Description .
P1B61-12	Cell voltage circuit (Module 2)		1	X		Refer to DTC Description .
P1B61-13	Cell voltage circuit (Module 2)		1	X		Refer to DTC Description .
P1B61-F1	Cell voltage circuit (Module 2)		1	X		Refer to DTC Description .
P1B61-F2	Cell voltage circuit (Module 2)		1	X		Refer to DTC Description .
P1B62-12	Cell voltage circuit (Module 3)		1	X		Refer to DTC Description .
P1B62-13	Cell voltage circuit (Module 3)		1	X		Refer to DTC Description .
P1B62-F1	Cell voltage circuit (Module 3)		1	X		Refer to DTC Description .
P1B62-F2	Cell voltage circuit (Module 3)		1	X		Refer to DTC Description .
P1B63-12	Cell voltage circuit (Module 4)		1	X		Refer to DTC Description .
P1B63-13	Cell voltage circuit (Module 4)		1	X		Refer to DTC Description .
P1B63-F1	Cell voltage circuit (Module 4)		1	X		Refer to DTC Description .
P1B63-F2	Cell voltage circuit (Module 4)		1	X		Refer to DTC Description .
P1B64-12	Cell voltage circuit (Module 5)		1	X		Refer to DTC Description .
P1B64-13	Cell voltage circuit (Module 5)		1	X		Refer to DTC Description .
P1B64-F1	Cell voltage circuit (Module 5)		1	X		Refer to DTC Description .
P1B64-F2	Cell voltage circuit (Module 5)		1	X		Refer to DTC Description .
P1B65-12	Cell voltage circuit (Module 6)		1	X		Refer to DTC Description .