

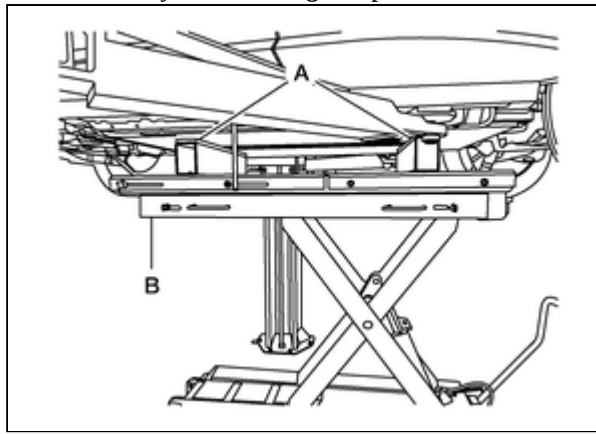
Your Ultimate Source for OEM Repair Manuals

FactoryManuals.net is a great resource for anyone who wants to save money on repairs by doing their own work. The manuals provide detailed instructions and diagrams that make it easy to understand how to fix a vehicle.


2009 NISSAN Tiida/Versa Sedan OEM Service and Repair Workshop Manual

[Go to manual page](#)

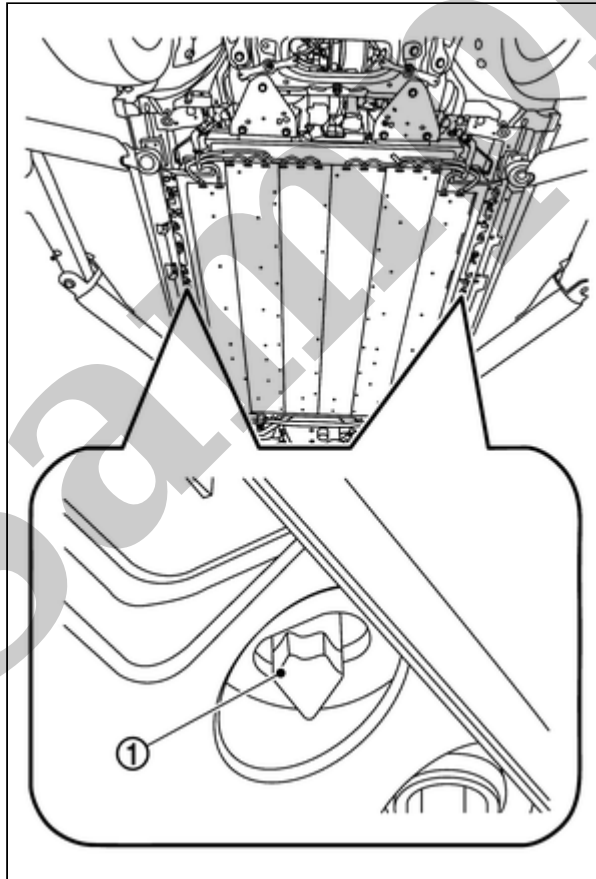
4 Raise the lift table (B) with the battery support fixtures (A) and the Li-ion battery. Adjust the position of the lift table so that the holes in the Li-ion battery align with the LiB assembly installation guide pins.



RPR-002038683-30-CIA0047ZZ

 **NOTE:**
Unlock the bearing plate on the lift table, then slide the bearing plate to align the battery holes with the guide pins.


5 Remove LiB assembly installation guide pins [SST: KV99119500 (NI-53347)] from vehicle and install locate pin ① of vehicle side.



RPR-002038683-31-000346904

6 Tighten mounting bolts (A) of Li-ion battery to the specified torque and remove lift table.

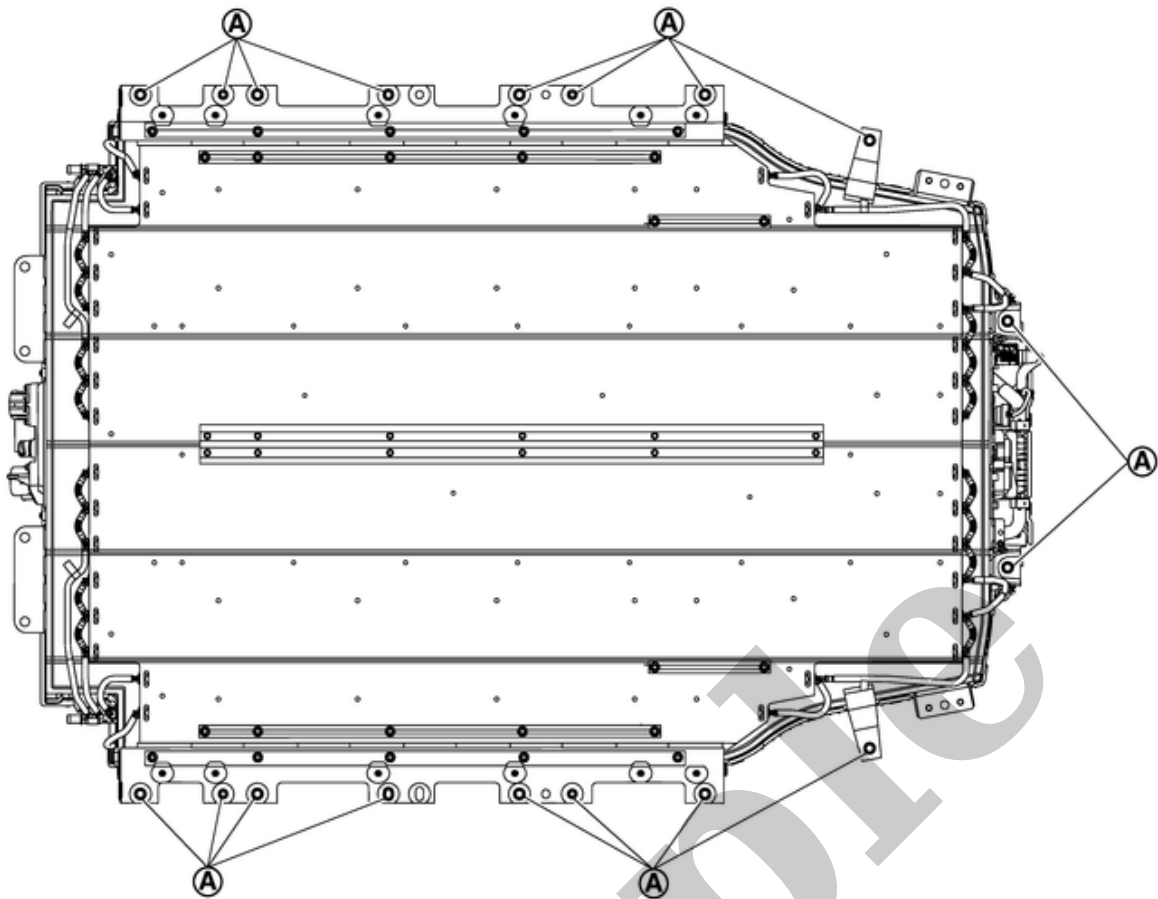
WARNING:

 To prevent electric shock, wear insulated protective gear.



CAUTION:

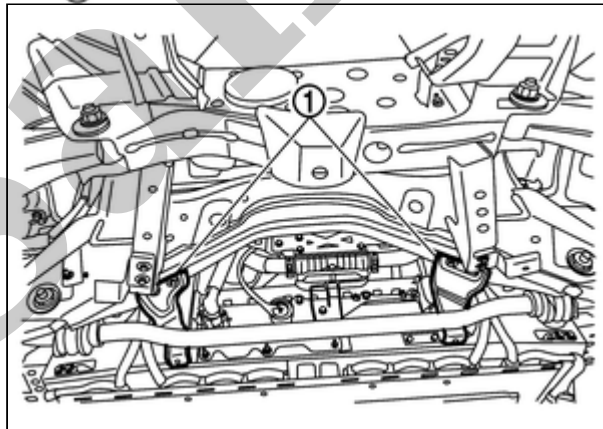
Do not interfere Li-ion battery with the brake pipe located between Li-ion battery and vehicle body.



RPR-002038683-84-000346893

7 Install rear stabilizer. Refer to [REAR STABILIZER : Removal & Installation](#).

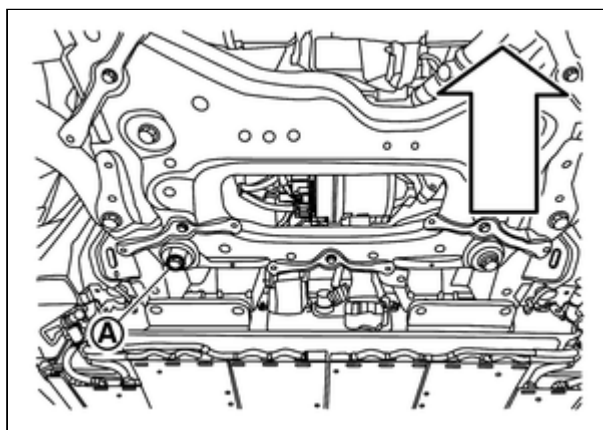
8 Install right and left rear diffuser brackets ①.



RPR-002038683-67-000346892

9 Install Li-ion side only of water hose. Refer to [COOLANT : Draining](#).

10 Remove mounting bolt (A) of right member stay (Front side). Refer to [FRONT SUSPENSION MEMBER : Removal & Installation](#).





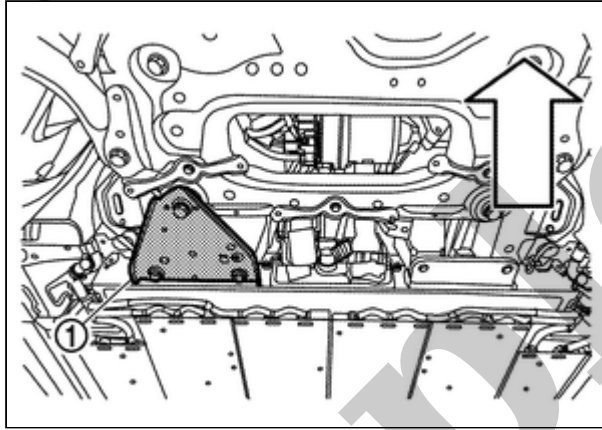
: Vehicle front

WARNING:

To prevent electric shock, wear insulated protective gear.



11 Install right member stay (Front side) ①.



RPR-002038683-69-000346890



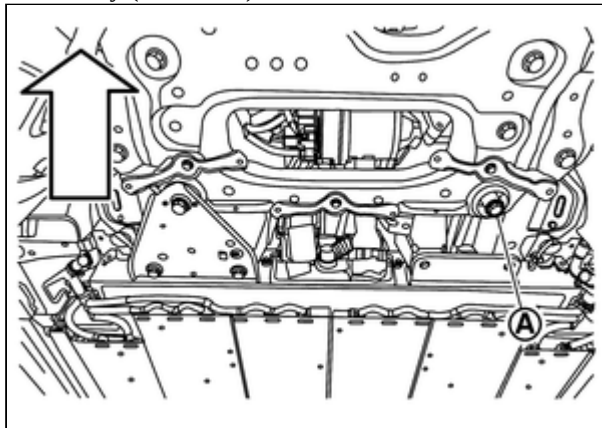
: Vehicle front

WARNING:

To prevent electric shock, wear insulated protective gear.

**CAUTION:**

Never remove mounting bolts of right and left member stays at once.

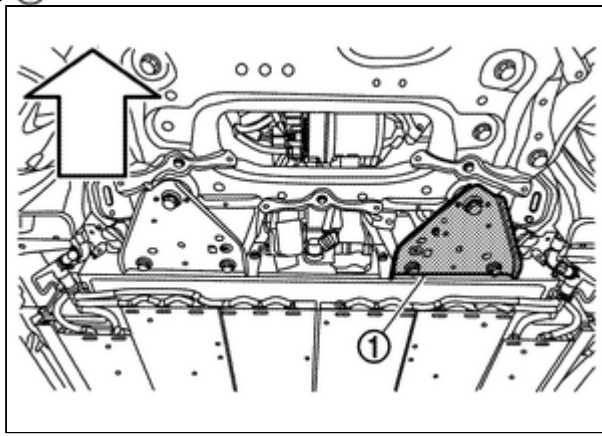
12 Remove mounting bolt (A) of left member stay (Front side). Refer to [FRONT SUSPENSION MEMBER : Removal & Installation](#).

RPR-002038683-70-000346889



: Vehicle front

13 Install left member stay (Front side) ①.




RPR-002038683-71-000346888



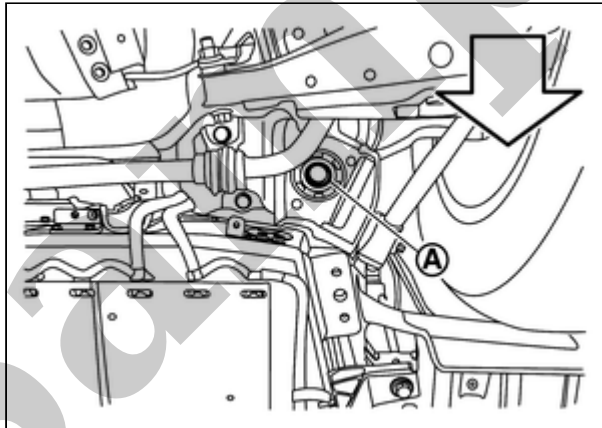
: Vehicle front

WARNING:

 To prevent electric shock, wear insulated protective gear.



14 Remove mounting bolt (A) of right member stay (Rear side). Refer to [REAR SUSPENSION MEMBER : Removal & Installation](#).




RPR-002038683-72-000346887



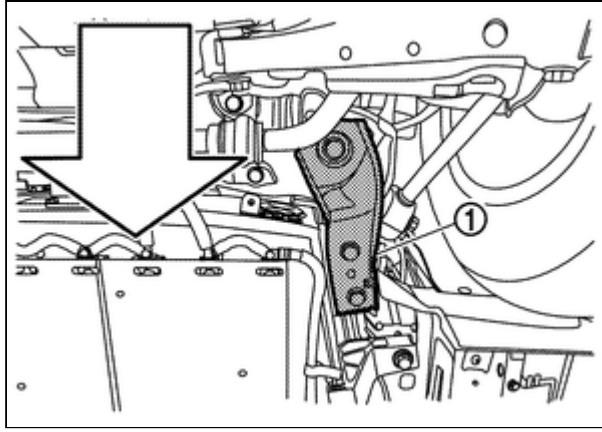
: Vehicle front

WARNING:

 To prevent electric shock, wear insulated protective gear.



15 Install right member stay (Rear side) ①. Refer to [REAR SUSPENSION MEMBER : Removal & Installation](#).



RPR-002038683-73-000346886



: Vehicle front

WARNING:

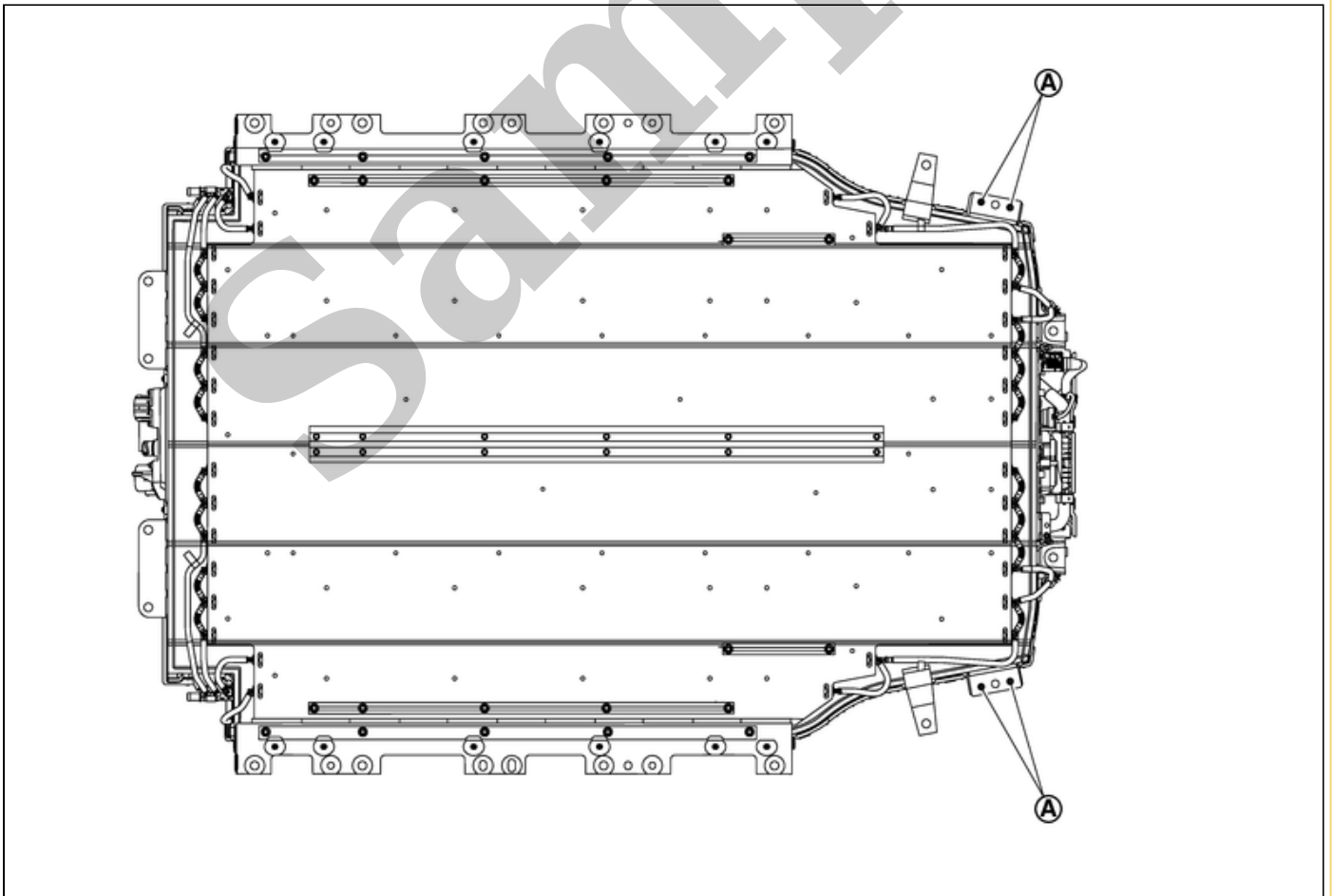


To prevent electric shock, wear insulated protective gear.



CAUTION:

If replacement of mounting nuts (A) of Li-ion battery side is required, replace according to the following procedure.



RPR-002038683-74-000346896

1. Cut metal plate (A) next to the nut using nippers (B).

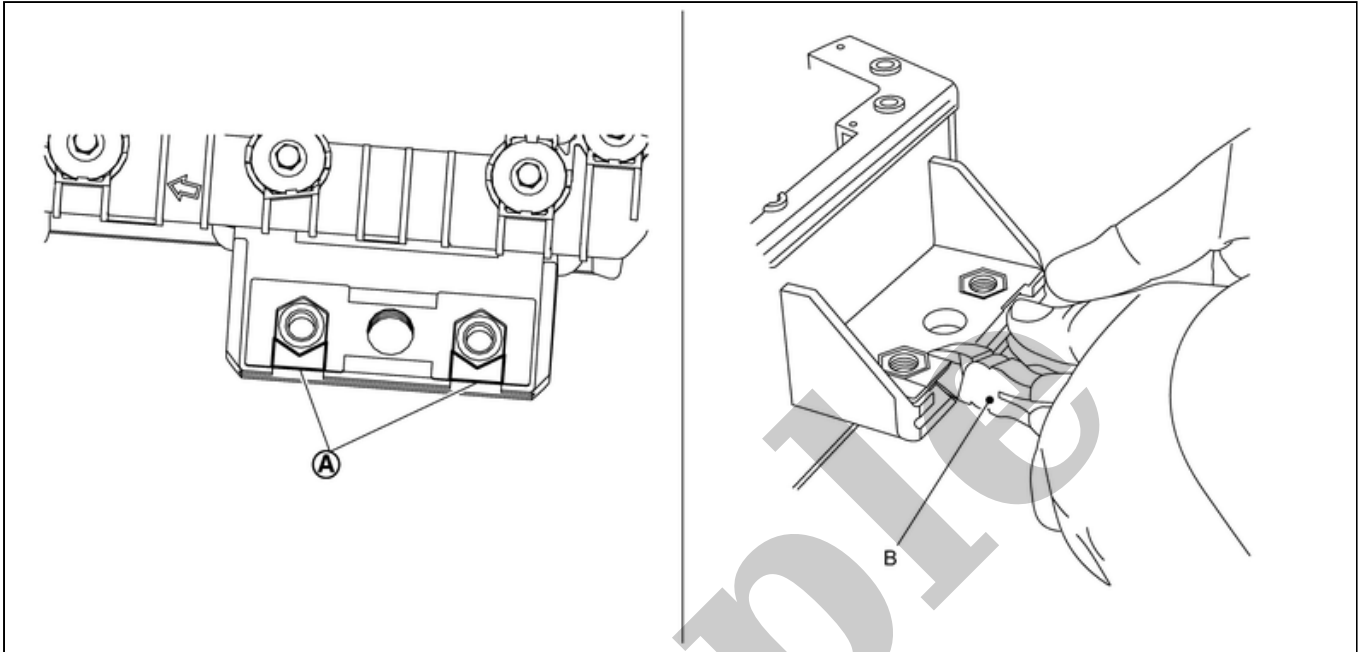
WARNING:



To prevent electric shock, wear insulated protective gear.

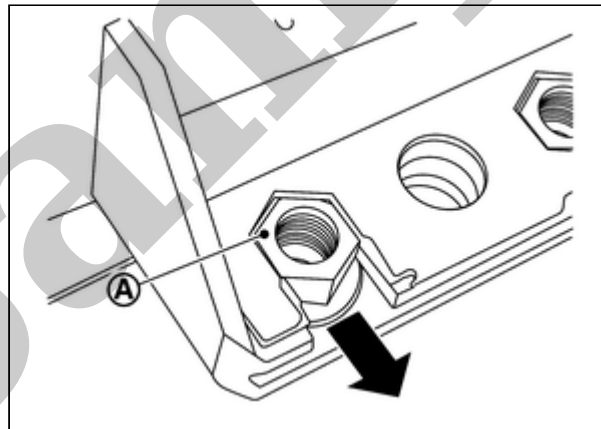


- Do not use tools that generate sparks or fire, such as power tools.



RPR-002038683-75-000346897

- Slide nuts **A** to the arrow direction and remove them from Li-ion battery.



RPR-002038683-76-000346898

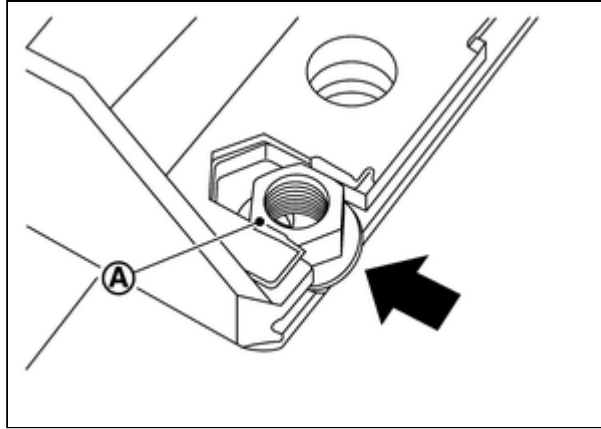
WARNING:



To prevent electric shock, wear insulated protective gear.



- Slide new nut **A** to the arrow direction and install it from Li-ion battery.



RPR-002038683-77-000346899

CAUTION:

The metal plate cut part is left as it is (No repair required).

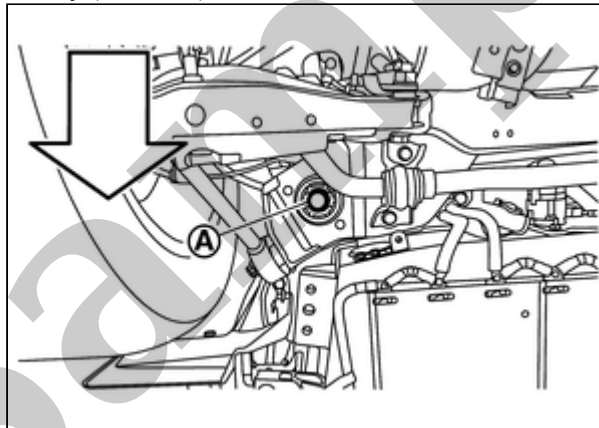
WARNING:



To prevent electric shock, wear insulated protective gear.



16 Remove mounting bolt of left member stay (Rear side). Refer to [REAR SUSPENSION MEMBER : Removal & Installation](#).

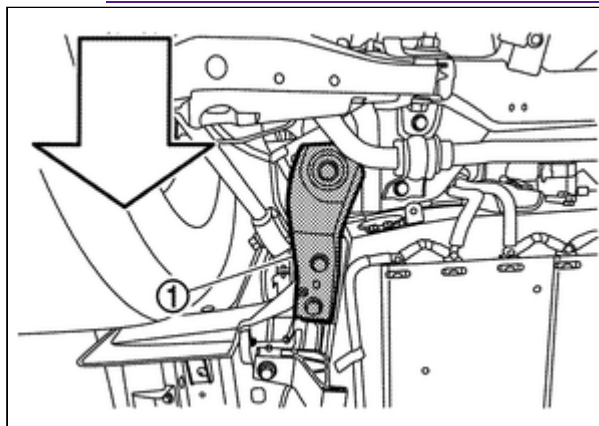


RPR-002038683-78-000346885



: Vehicle front

17 Install left member stay (Rear side). Refer to [REAR SUSPENSION MEMBER : Removal & Installation](#).



RPR-002038683-79-000346884



: Vehicle front

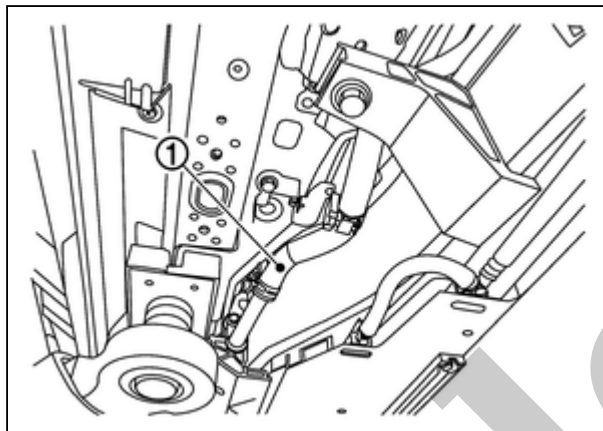
WARNING:



To prevent electric shock, wear insulated protective gear.



18 Install water hose ①.



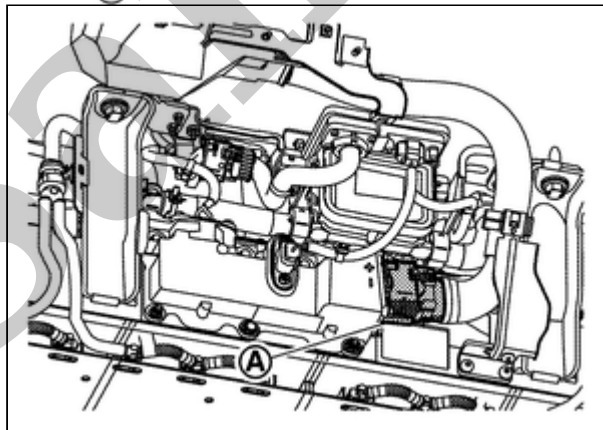
RPR-002038683-39-000402198



NOTE:

- The figure shows the rear left side water hose.
- Install rear right side water hose , the front left side water hose and the front right side water hose in the same way.

19 Install high voltage harness (RR) connector (A).



RPR-002038683-40-000402197

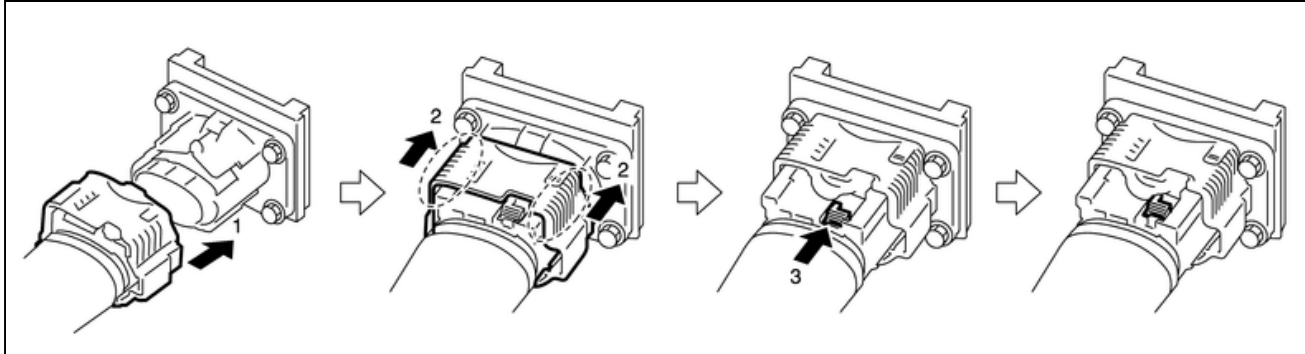
DANGER:

-  There is the danger of electric shock caused by contact with the terminals. Be sure to wear insulated protective gear.



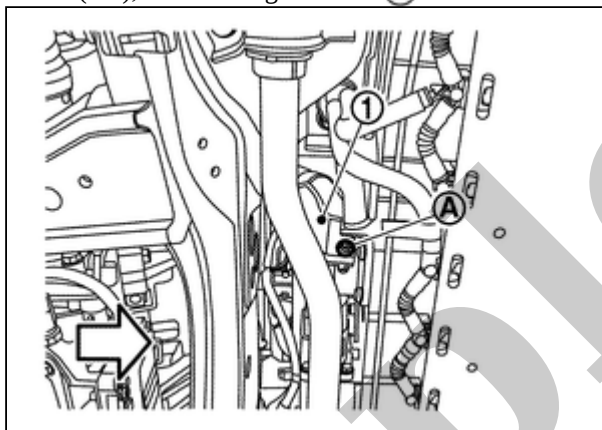
-  Because there is the danger of electric shock, immediately insulate disconnected high voltage connectors and terminals with insulating tape.

- Connect high voltage harness (RR) connector according to the following procedure.



RPR-001953959-JPCIA0036ZZ

20 Install the stay ① to high voltage harness (RR), and then Tighten Bolt ①.

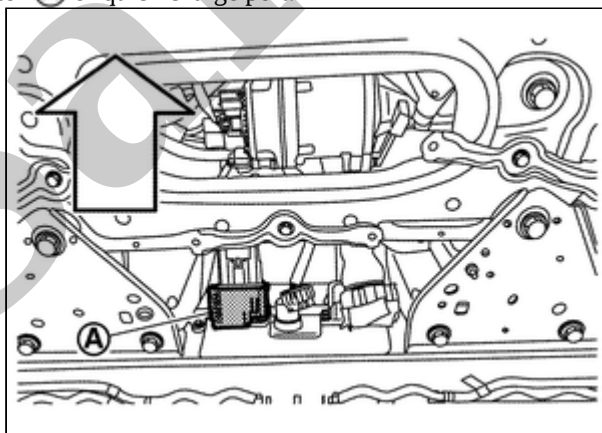


RPR-001953959-ILL-000435500



: Vehicle front

21 Install high voltage harness connector ① of quick charge port.



RPR-002038683-86-000346883



: Vehicle front

DANGER:

-  There is the danger of electric shock caused by contact with the terminals. Be sure to wear insulated protective gear.



- Install high voltage harness connector of quick charge port according to the following procedure.