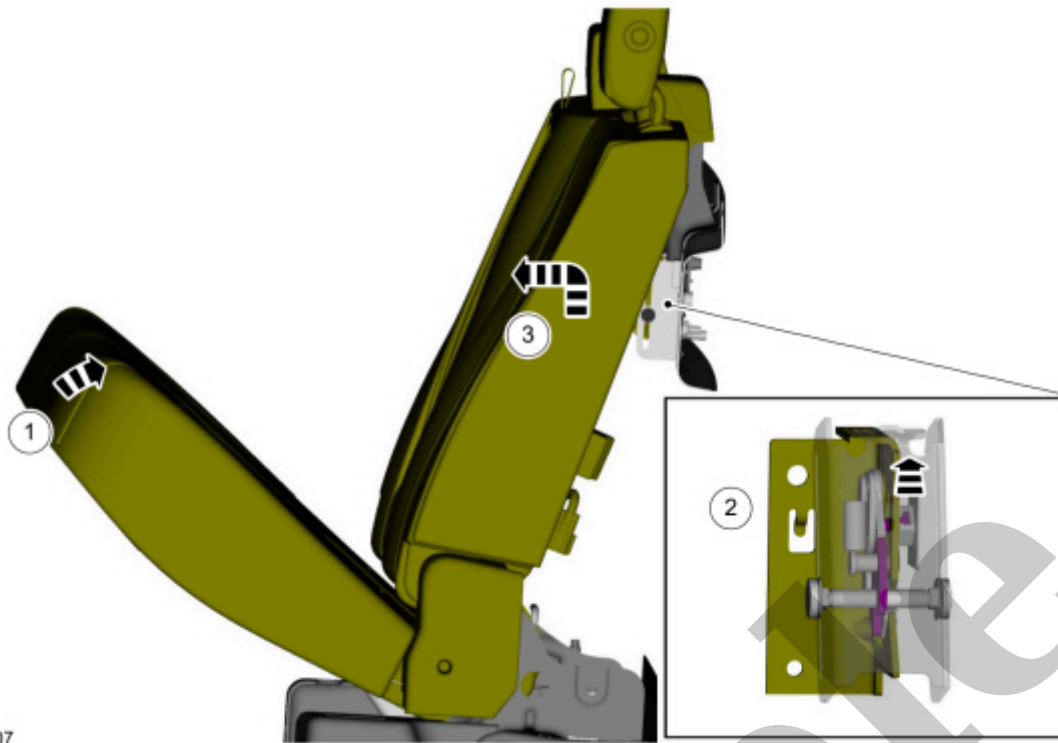


Your Ultimate Source for OEM Repair Manuals

FactoryManuals.net is a great resource for anyone who wants to save money on repairs by doing their own work. The manuals provide detailed instructions and diagrams that make it easy to understand how to fix a vehicle.

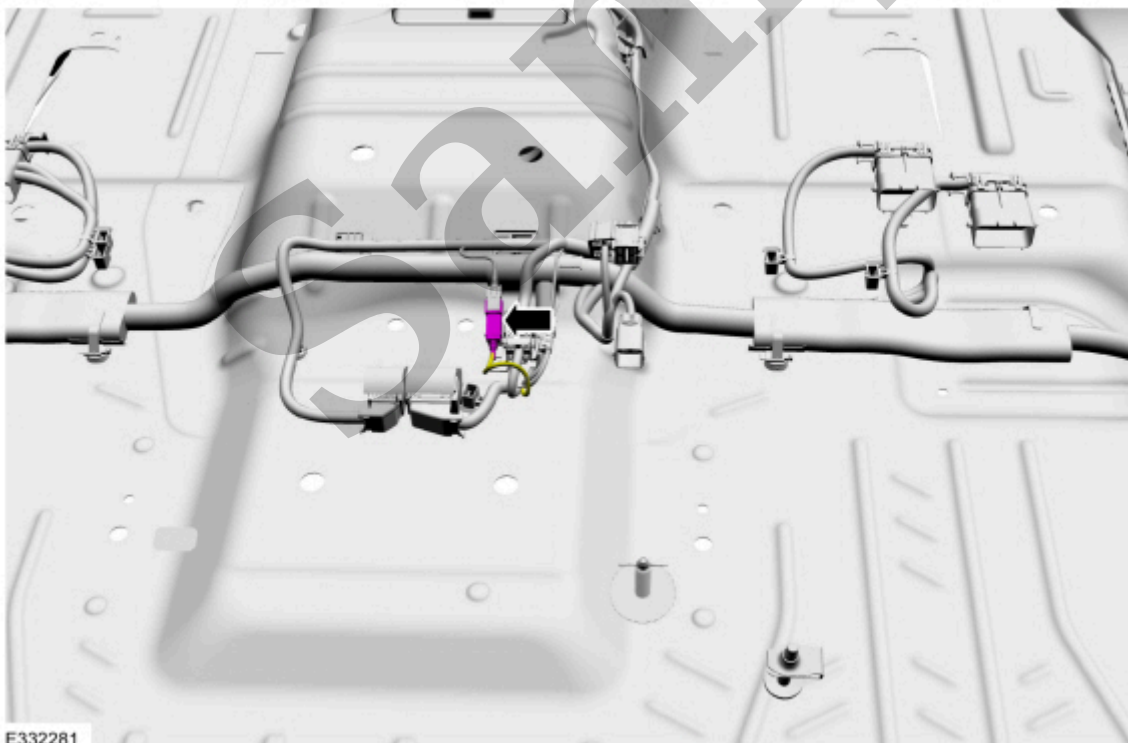
2009 FORD Mustang Shelby GT500 OEM Service and Repair Workshop Manual

[Go to manual page](#)

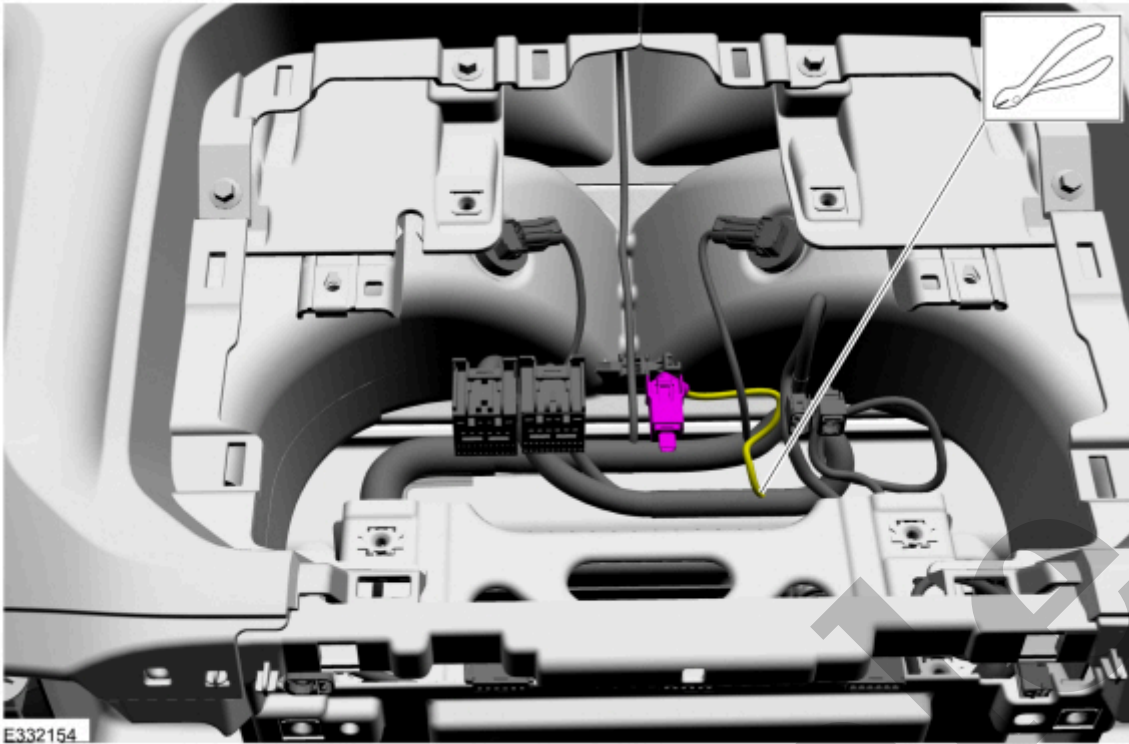


[Click here to learn about symbols, color coding, and icons used in this manual.](#)

42. Disconnect the body harness AAB (automotive audio bus) front connector.

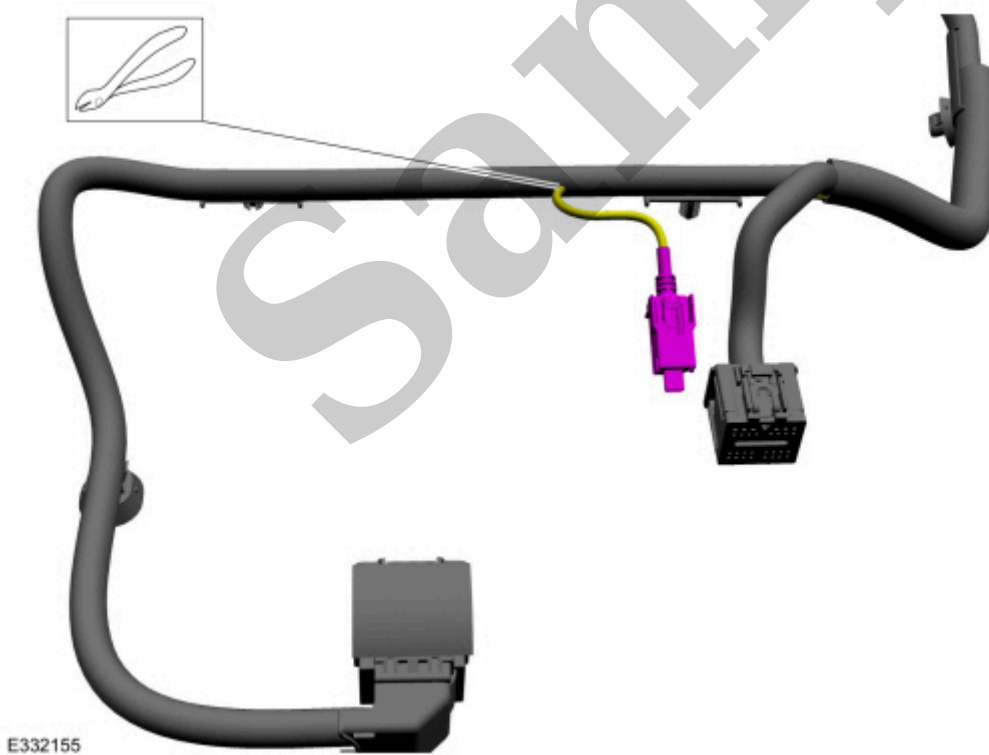


[Click here to learn about symbols, color coding, and icons used in this manual.](#)



[Click here to learn about symbols, color coding, and icons used in this manual.](#)

2. Cut the lower connector end off the cable where it enters the instrument panel harness.



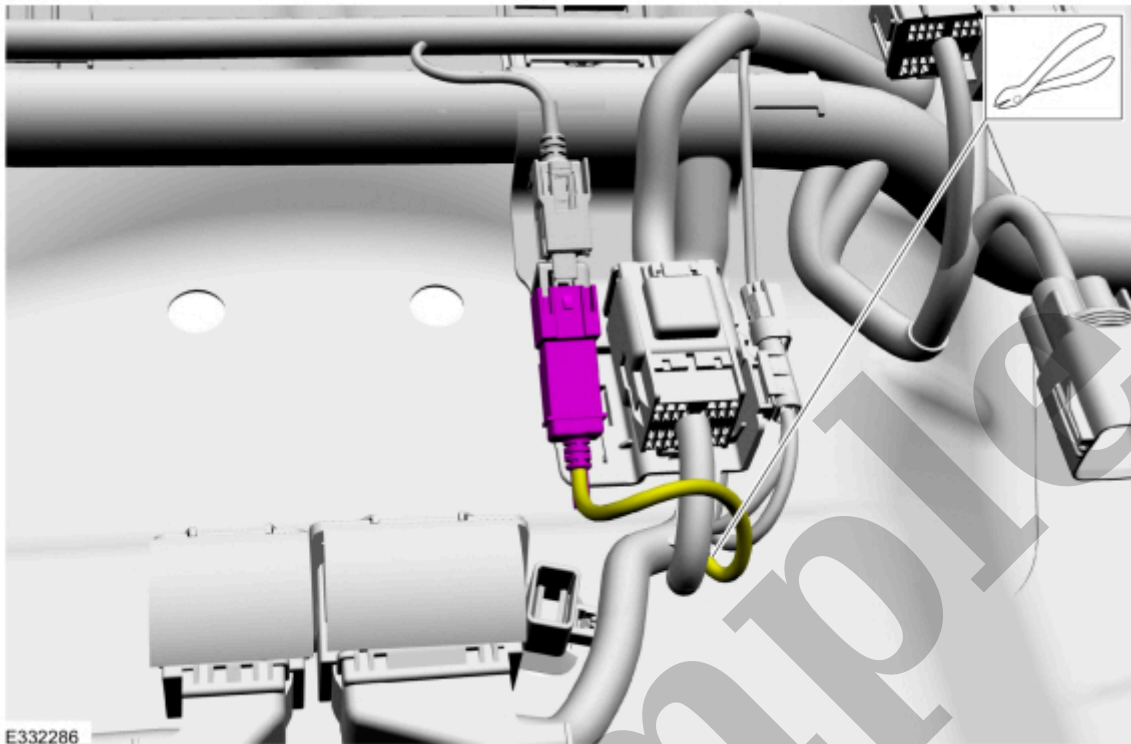
[Click here to learn about symbols, color coding, and icons used in this manual.](#)

3. Install the new AAB (automotive audio bus) cable.

[Click here to learn about symbols, color coding, and icons used in this manual.](#)

Body harness automotive audio bus cable - Supercab vehicles

4. Cut the front connector end off the cable where it enters the body harness.

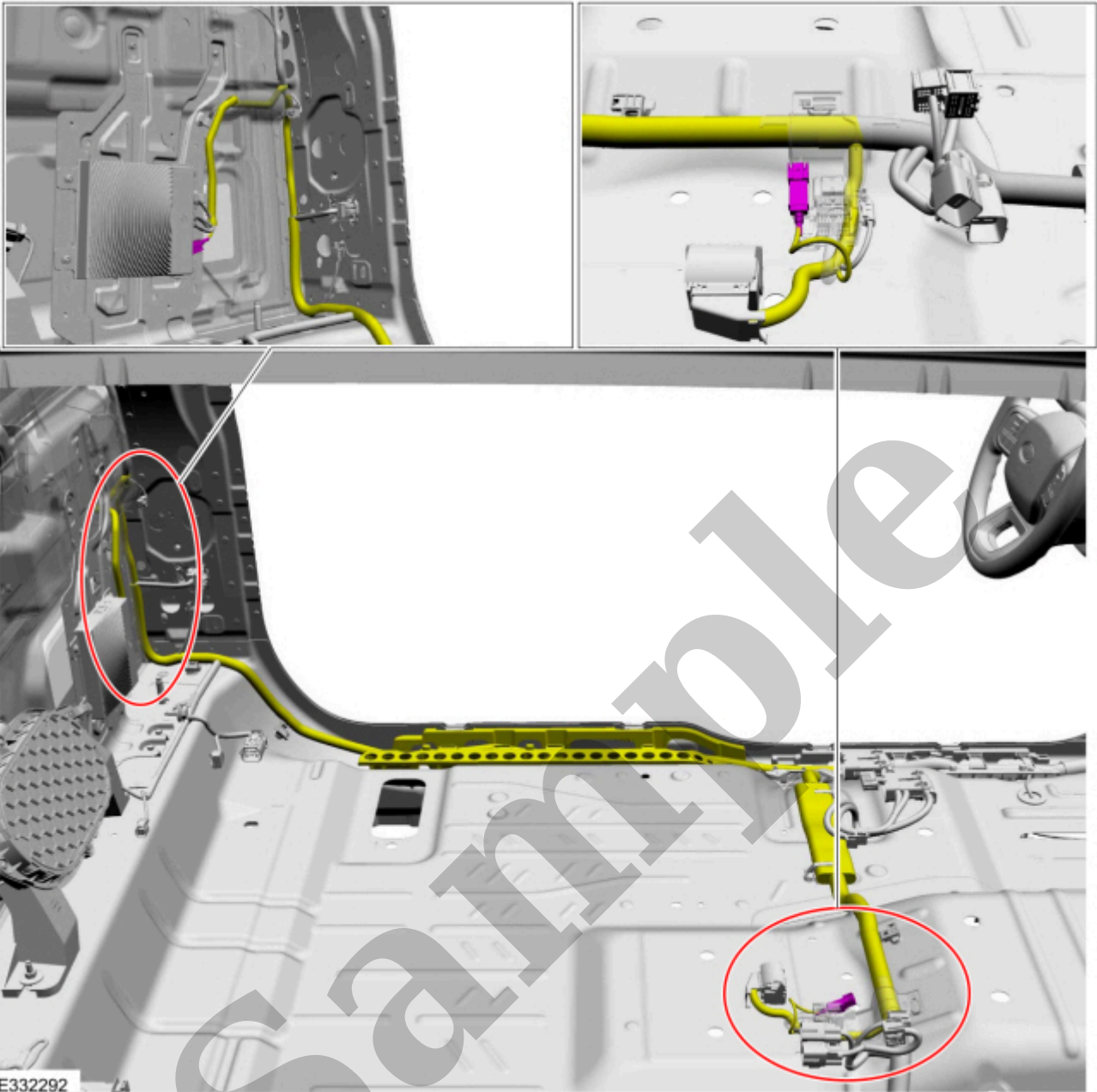


[Click here to learn about symbols, color coding, and icons used in this manual.](#)

5. **NOTE**

Eight speaker system DSP (audio digital signal processing module) is shown, 18 speaker system DSP (audio digital signal processing module) is similar.

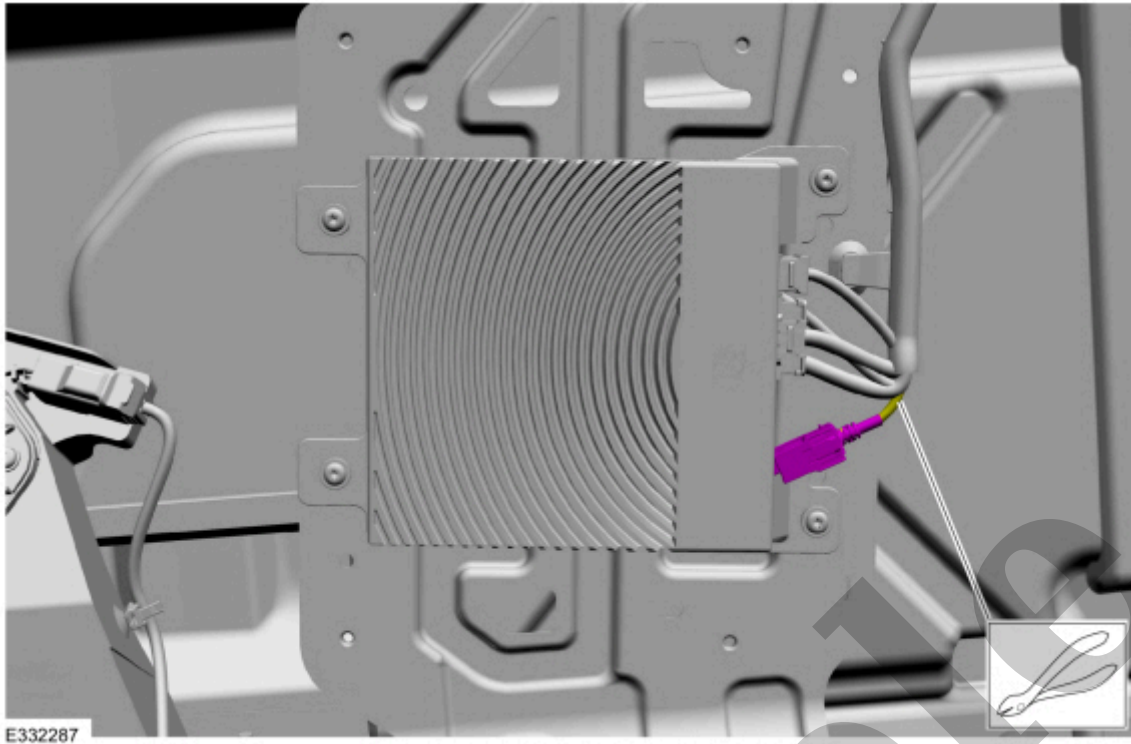
Cut the rear connector end off the cable where it enters the body harness.



[Click here to learn about symbols, color coding, and icons used in this manual.](#)

Body harness automotive audio bus cable - Supercrew vehicles

7. Cut the front connector end off the cable where it enters the body harness.



[Click here to learn about symbols, color coding, and icons used in this manual.](#)

9. Install the new AAB (automotive audio bus) cable.

- Route the new body harness AAB (automotive audio bus) cable following the routing shown.
- Secure the new body harness AAB (automotive audio bus) cable, as necessary, to prevent NVH (noise, vibration and harshness) concerns.



Cellular Phone Antenna

415-00 Information and Entertainment System - General Information	2022 F-150
Removal and Installation	Procedure revision date: 06/11/2021

Cellular Phone Antenna

Removal

All cellular phone antennas

1. Lower the headliner.

Refer to: [Headliner - Lowering - Regular Cab](#)(501-05 Interior Trim and Ornamentation, Removal and Installation).

Refer to: [Headliner - Lowering - SuperCab](#)(501-05 Interior Trim and Ornamentation, Removal and Installation).

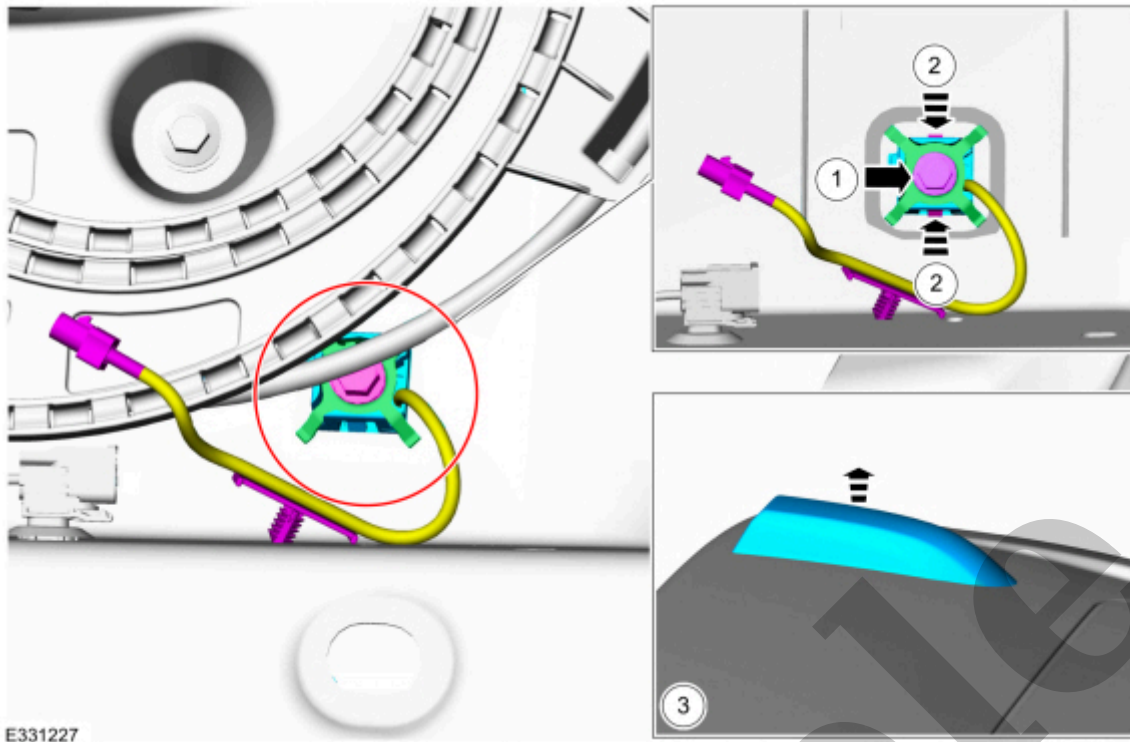
Refer to: [Headliner - Lowering - SuperCrew](#)(501-05 Interior Trim and Ornamentation, Removal and Installation).

Primary cellular phone antenna

NOTE

Vehicle with roof opening panel shown, vehicles without roof opening panel are similar.

2. Disconnect the cellular phone antenna cable connector and separate the wiring guide.



[Click here to learn about symbols, color coding, and icons used in this manual.](#)

Secondary cellular phone antenna

NOTE

Vehicle with roof opening panel shown, vehicles without roof opening panel are similar.

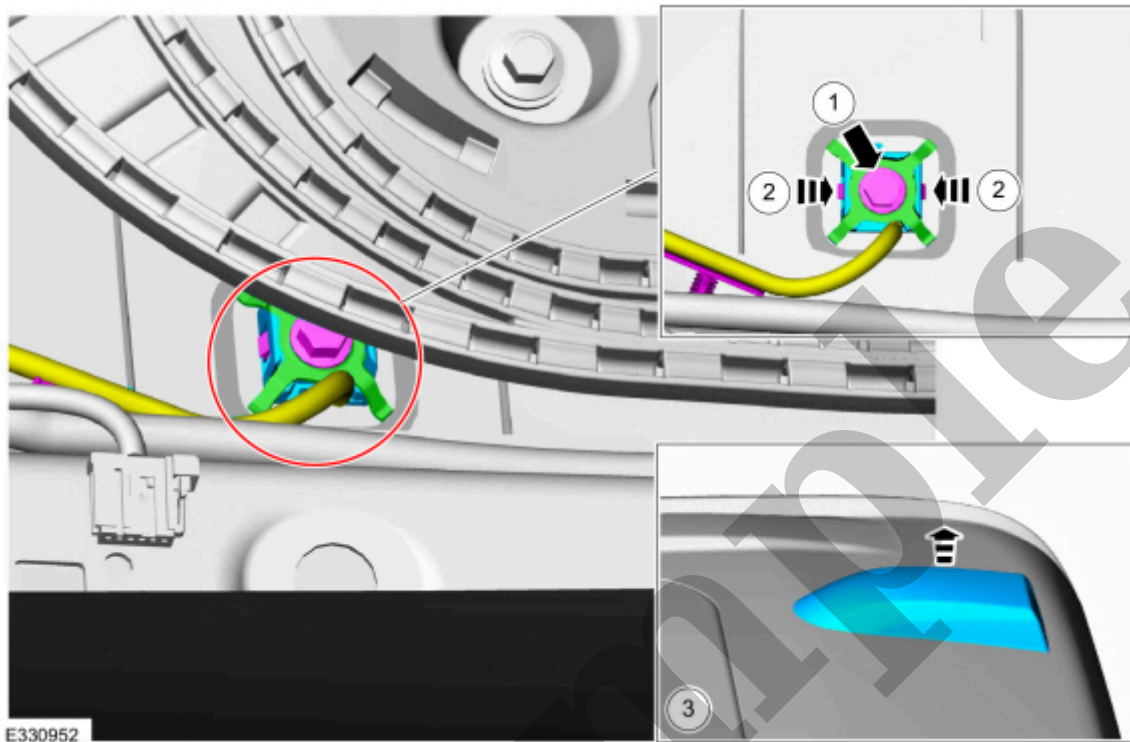
4. Disconnect the cellular phone antenna cable connectors.

1. Remove the bolt and the retaining spring.

Torque : 62 lb.in (7 Nm)

2. Release the tabs.

3. Remove the secondary cellular phone antenna.



[Click here to learn about symbols, color coding, and icons used in this manual.](#)

Installation

All cellular phone antennas

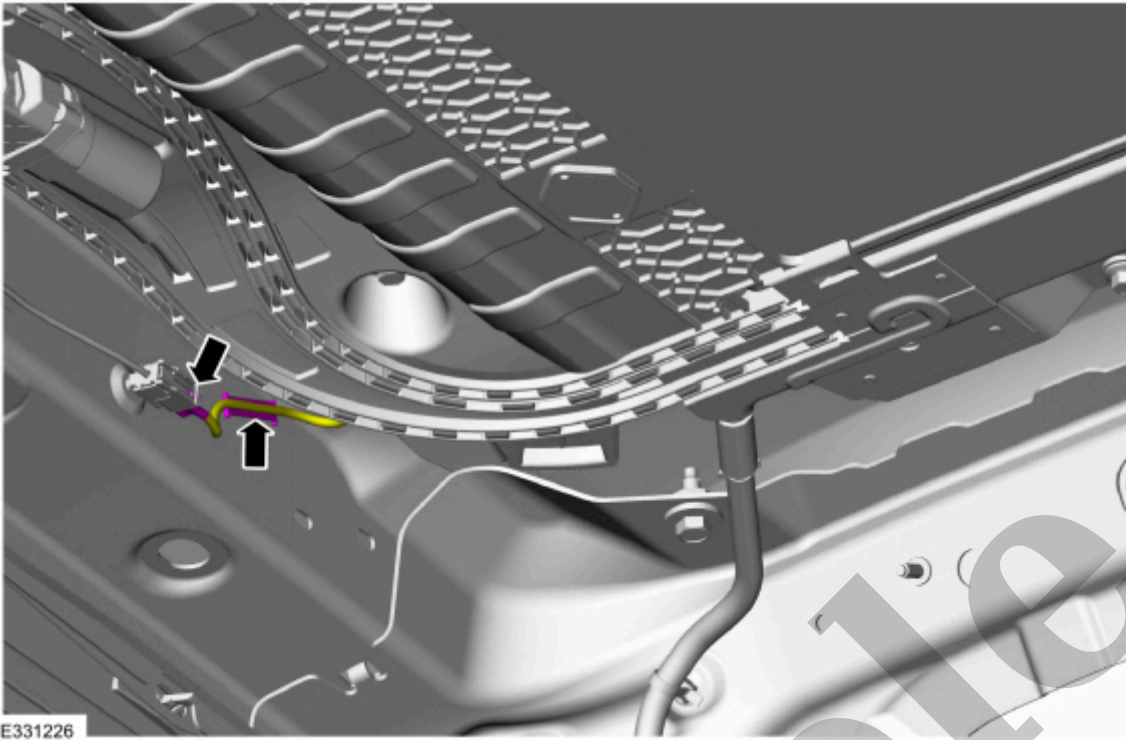
1. NOTE

If installing a new cellular phone antenna it is not necessary to remove the bolt from the cellular phone antenna base.

NOTE

The primary cellular antenna is shown, the secondary cellular antenna is similar.

Route the cellular phone antenna cable through the opening in the vehicle roof panel and gently push down on the antenna base until an audible click is heard.



[Click here to learn about symbols, color coding, and icons used in this manual.](#)

Secondary cellular phone antenna

NOTE

Vehicle with roof opening panel shown, vehicles without roof opening panel are similar.

3. Install the antenna cable guide.