

Your Ultimate Source for OEM Repair Manuals

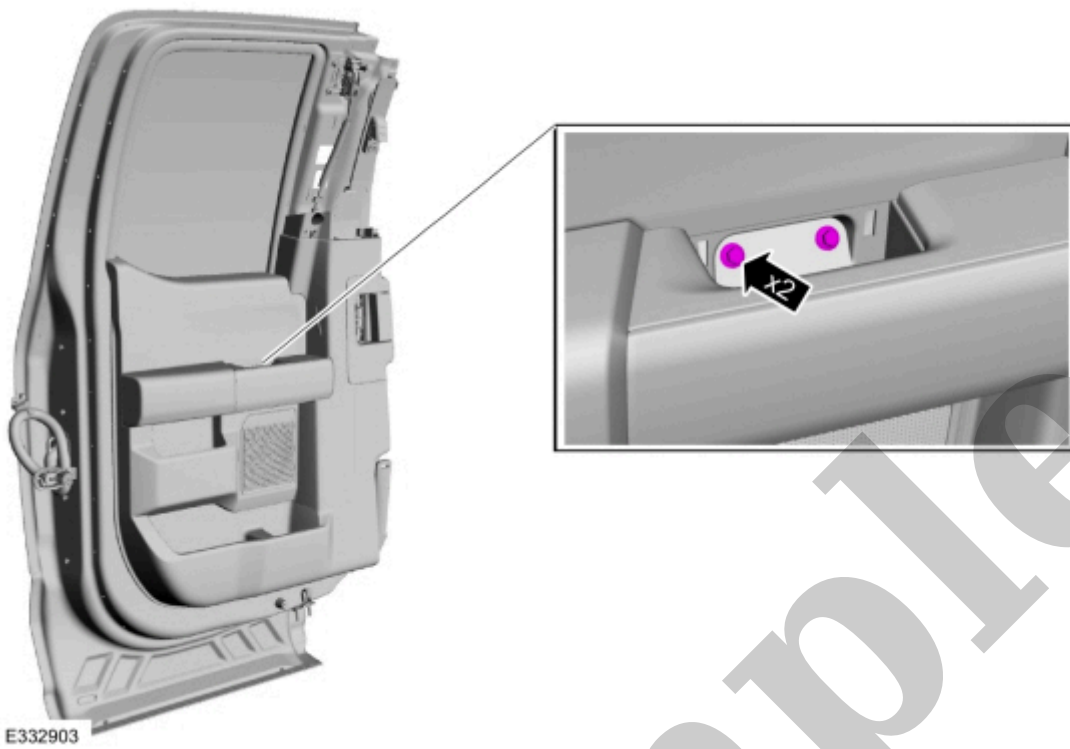
FactoryManuals.net is a great resource for anyone who wants to save money on repairs by doing their own work. The manuals provide detailed instructions and diagrams that make it easy to understand how to fix a vehicle.

2009 FORD F-150 Regular Cab OEM Service and Repair Workshop Manual

[Go to manual page](#)

8. Remove the rear door lower trim panel bolts.

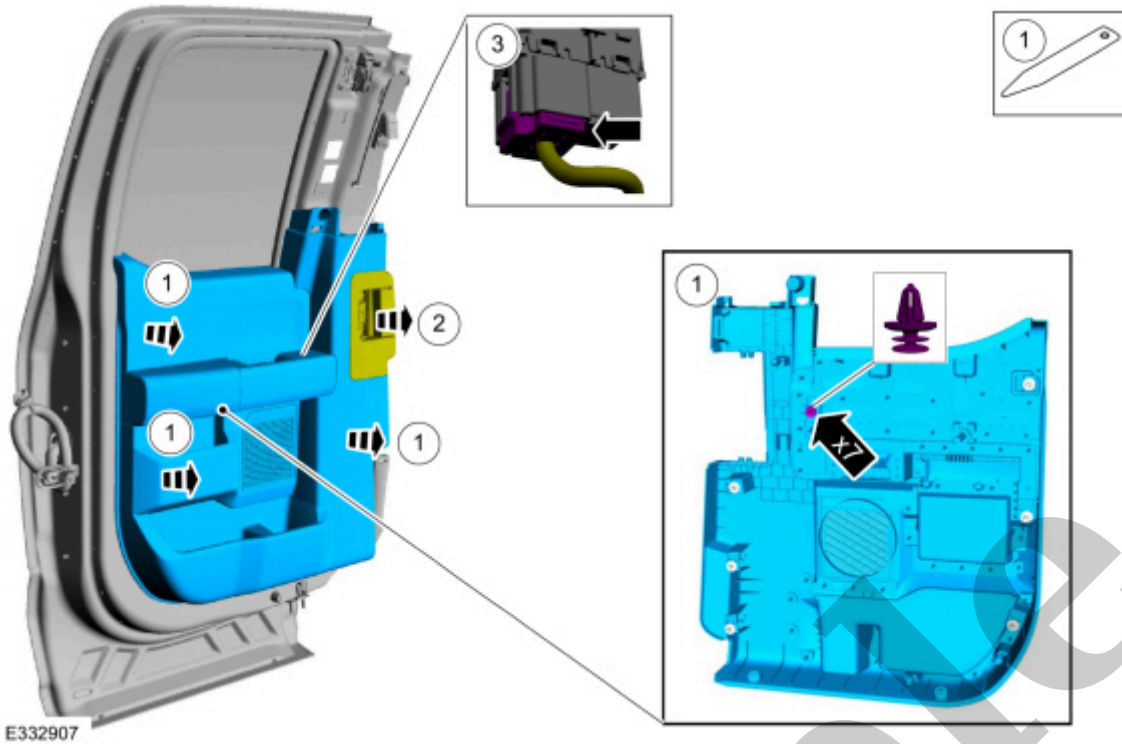
Torque : 48 lb.in (5.4 Nm)



[Click here to learn about symbols, color coding, and icons used in this manual.](#)

9. Remove the rear door lower trim panel bolts.

Torque : 19 lb.in (2.2 Nm)



[Click here to learn about symbols, color coding, and icons used in this manual.](#)

Installation

1. NOTE

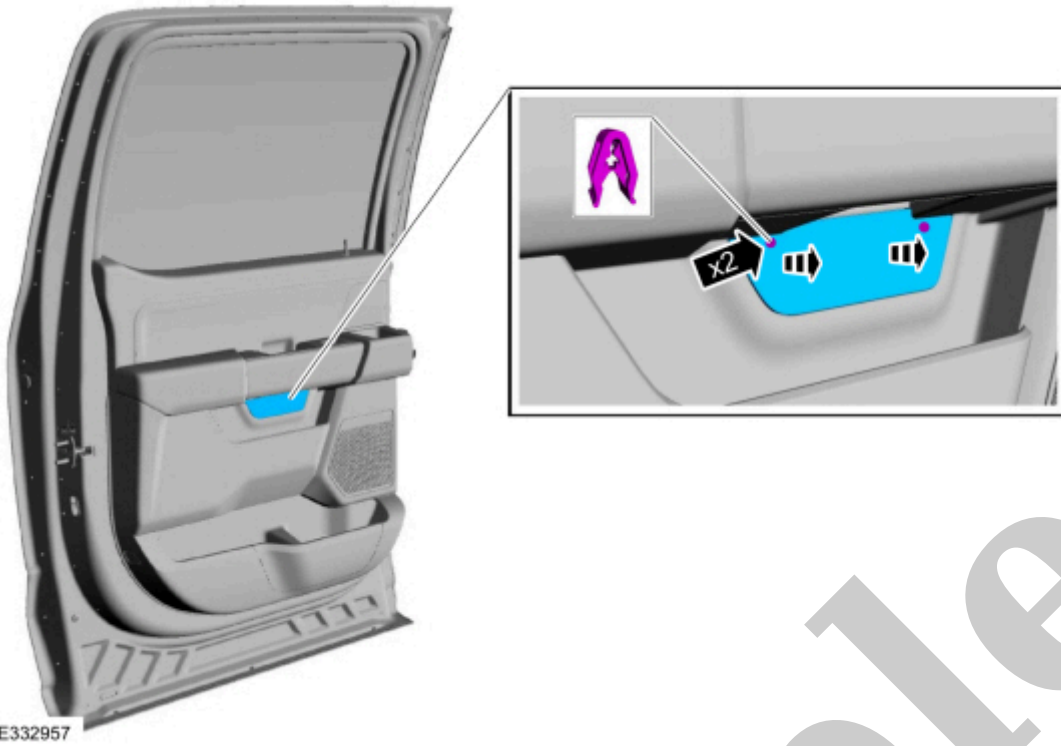
During installation, make sure the seatbelt webbing is not twisted and the seatbelts and buckles are accessible to the occupants.

To install, reverse the removal procedure.

2. Check the seatbelt system for correct operation.

Refer to: [Seatbelt System Functional Tests](#)(501-20A Seatbelt Systems, General Procedures).

Copyright © Ford Motor Company



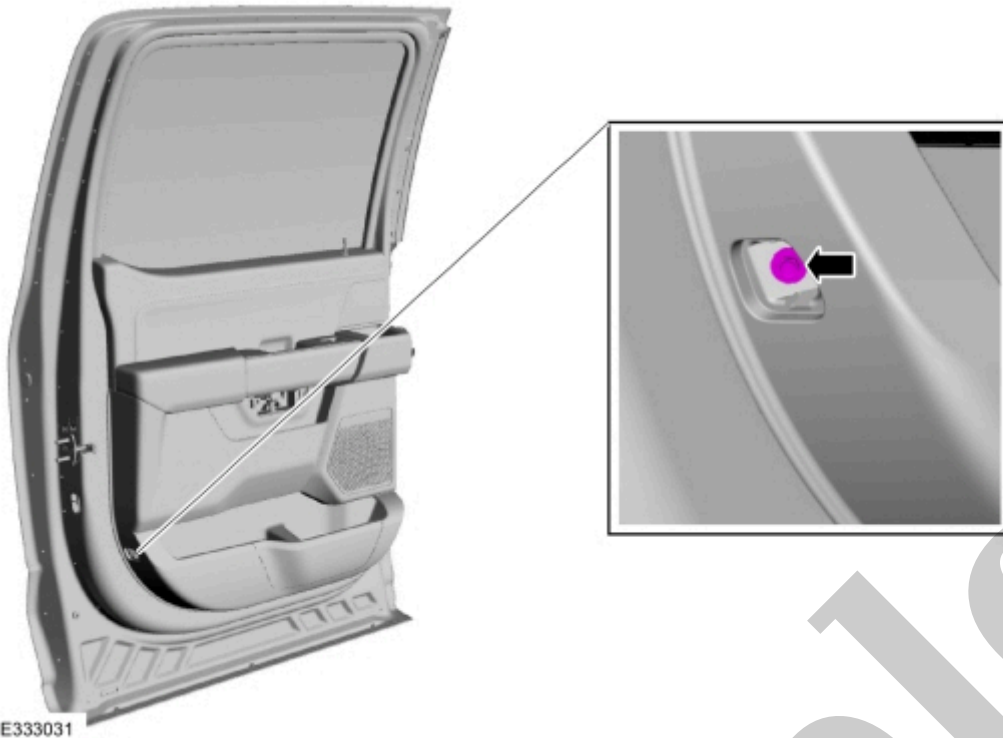
[Click here to learn about symbols, color coding, and icons used in this manual.](#)

2. Remove the rear door trim panel bolts.

Torque : 48 lb.in (5.4 Nm)



[Click here to learn about symbols, color coding, and icons used in this manual.](#)



E333031

[Click here to learn about symbols, color coding, and icons used in this manual.](#)

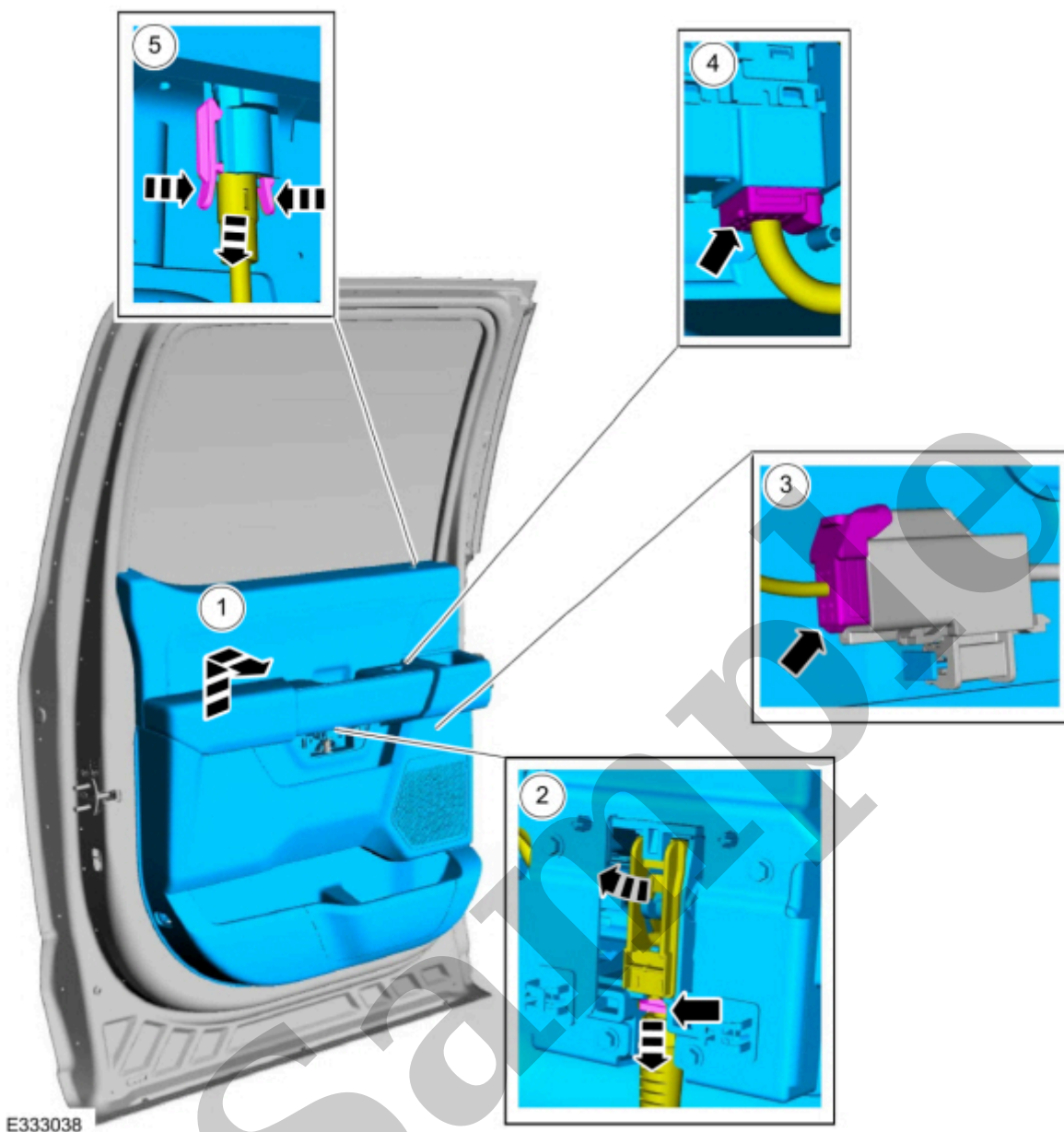
5. Remove the rear door trim panel bolts.

Torque : 19 lb.in (2.2 Nm)



E333034

[Click here to learn about symbols, color coding, and icons used in this manual.](#)

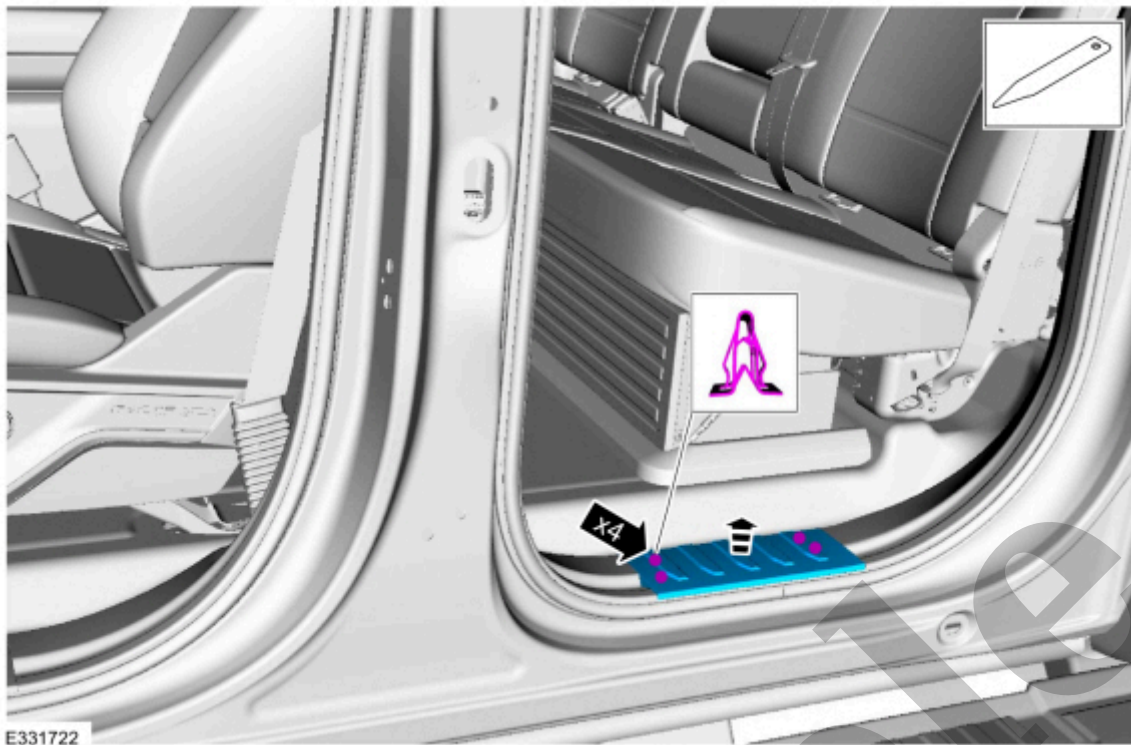


[Click here to learn about symbols, color coding, and icons used in this manual.](#)

Installation

1. To install, reverse the removal procedure.

Copyright © Ford Motor Company

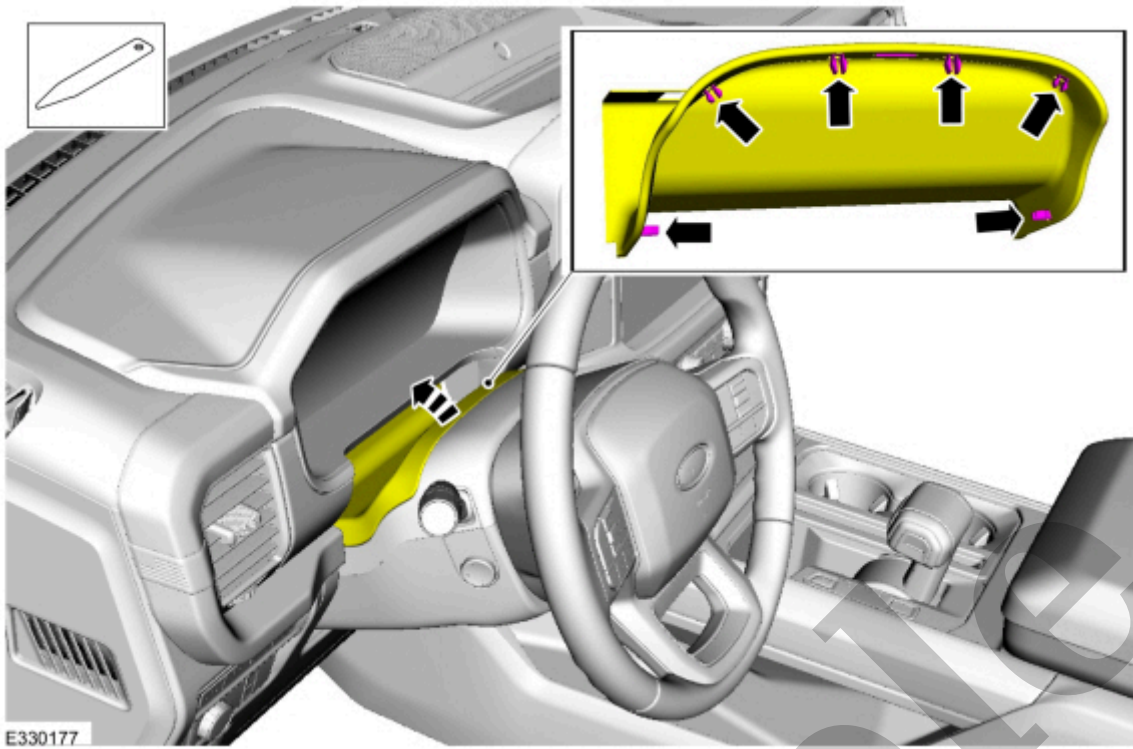


[Click here to learn about symbols, color coding, and icons used in this manual.](#)

Installation

1. To install, reverse the removal procedure.

Copyright © Ford Motor Company



[Click here to learn about symbols, color coding, and icons used in this manual.](#)

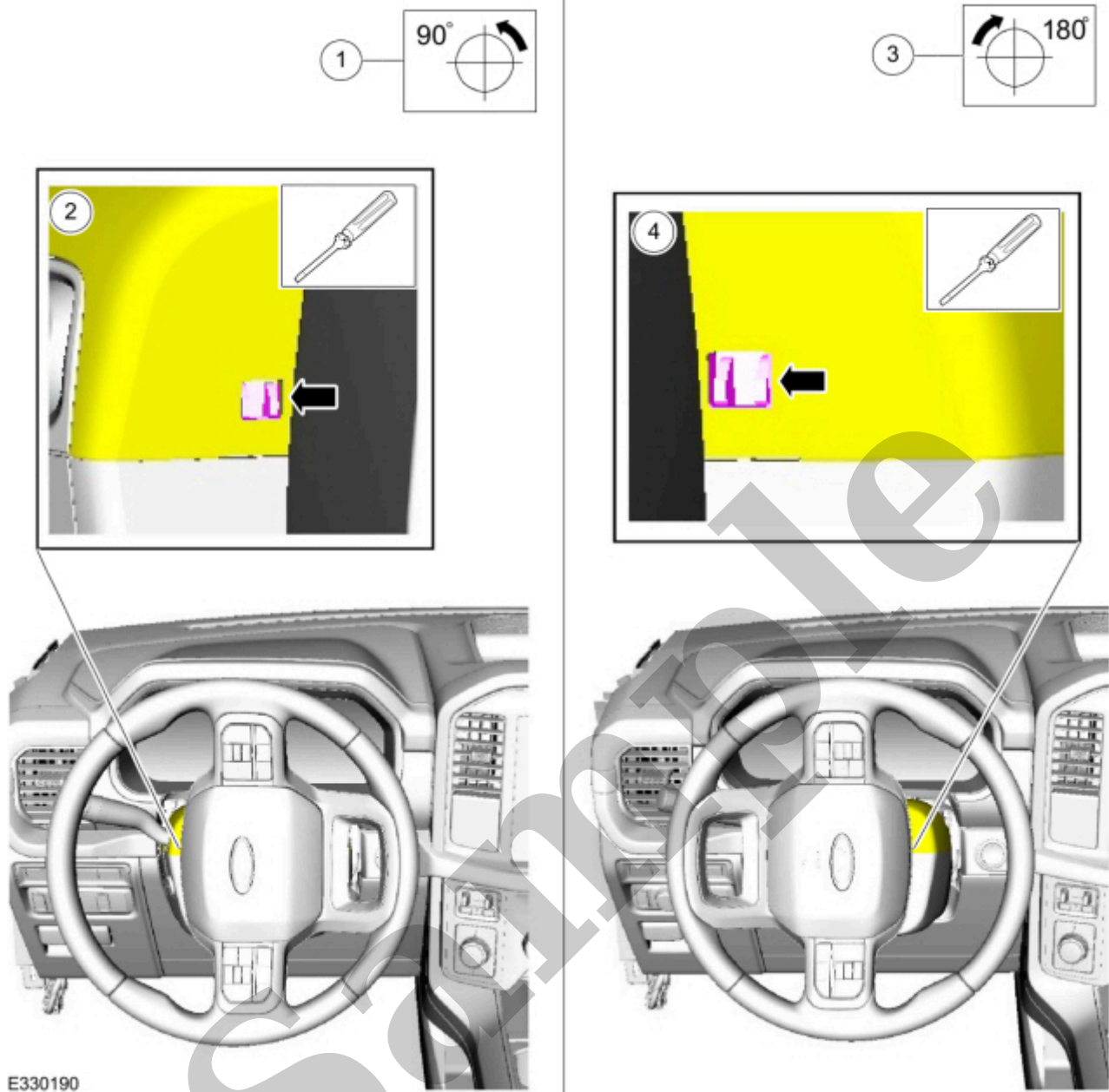
Vehicles with column shift

3. NOTE

Gear selector lever removed for clarity.

Release the tabs and position the gear selector boot aside.

Use the General Equipment: Interior Trim Remover



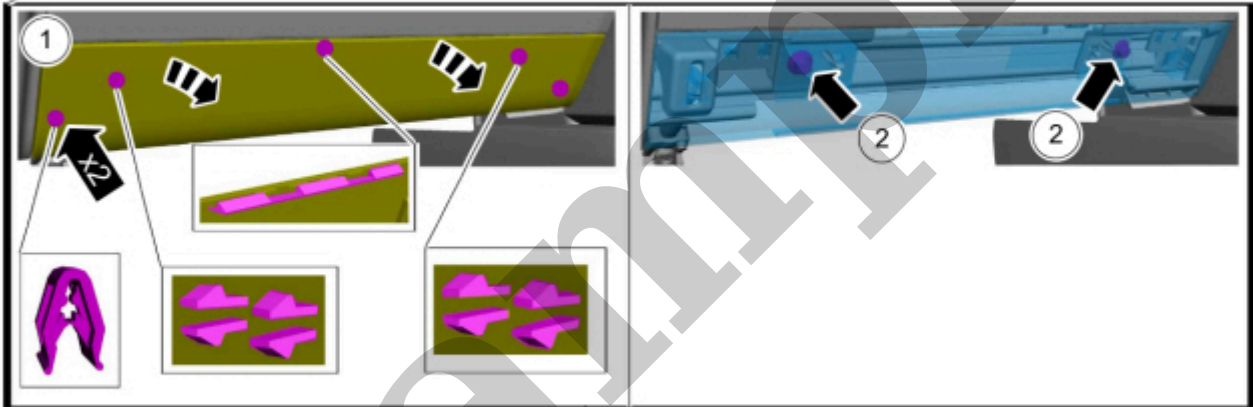
[Click here to learn about symbols, color coding, and icons used in this manual.](#)

5. **NOTE**

Gap hider removed for clarity.

Release the outer clips on both sides and remove the upper steering column shroud.

Use the General Equipment: Interior Trim Remover



E344966

[Click here to learn about symbols, color coding, and icons used in this manual.](#)

7. Release the clips and remove the instrument panel upper trim panel.

Use the General Equipment: Interior Trim Remover