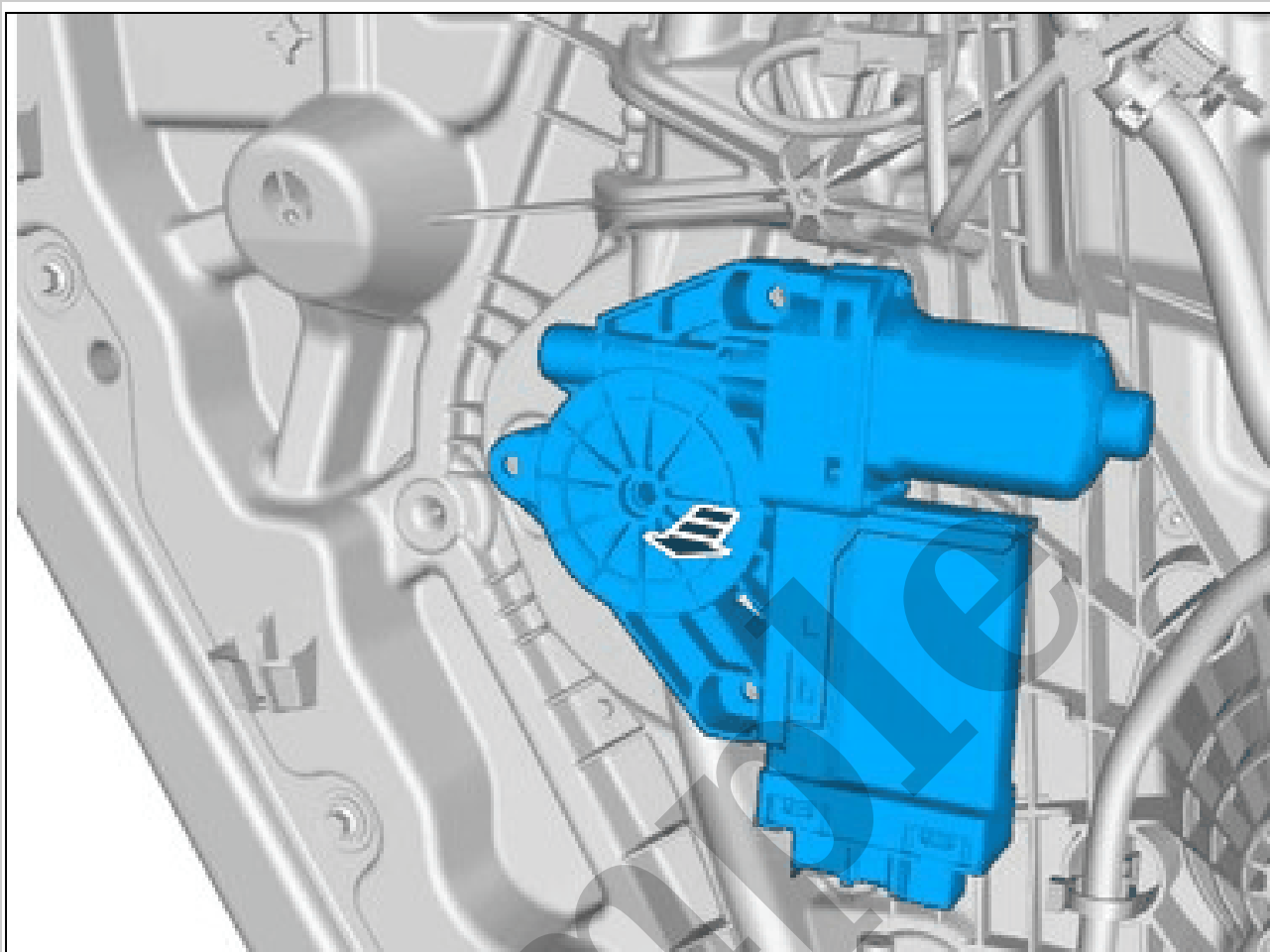


Your Ultimate Source for OEM Repair Manuals

FactoryManuals.net is a great resource for anyone who wants to save money on repairs by doing their own work. The manuals provide detailed instructions and diagrams that make it easy to understand how to fix a vehicle.

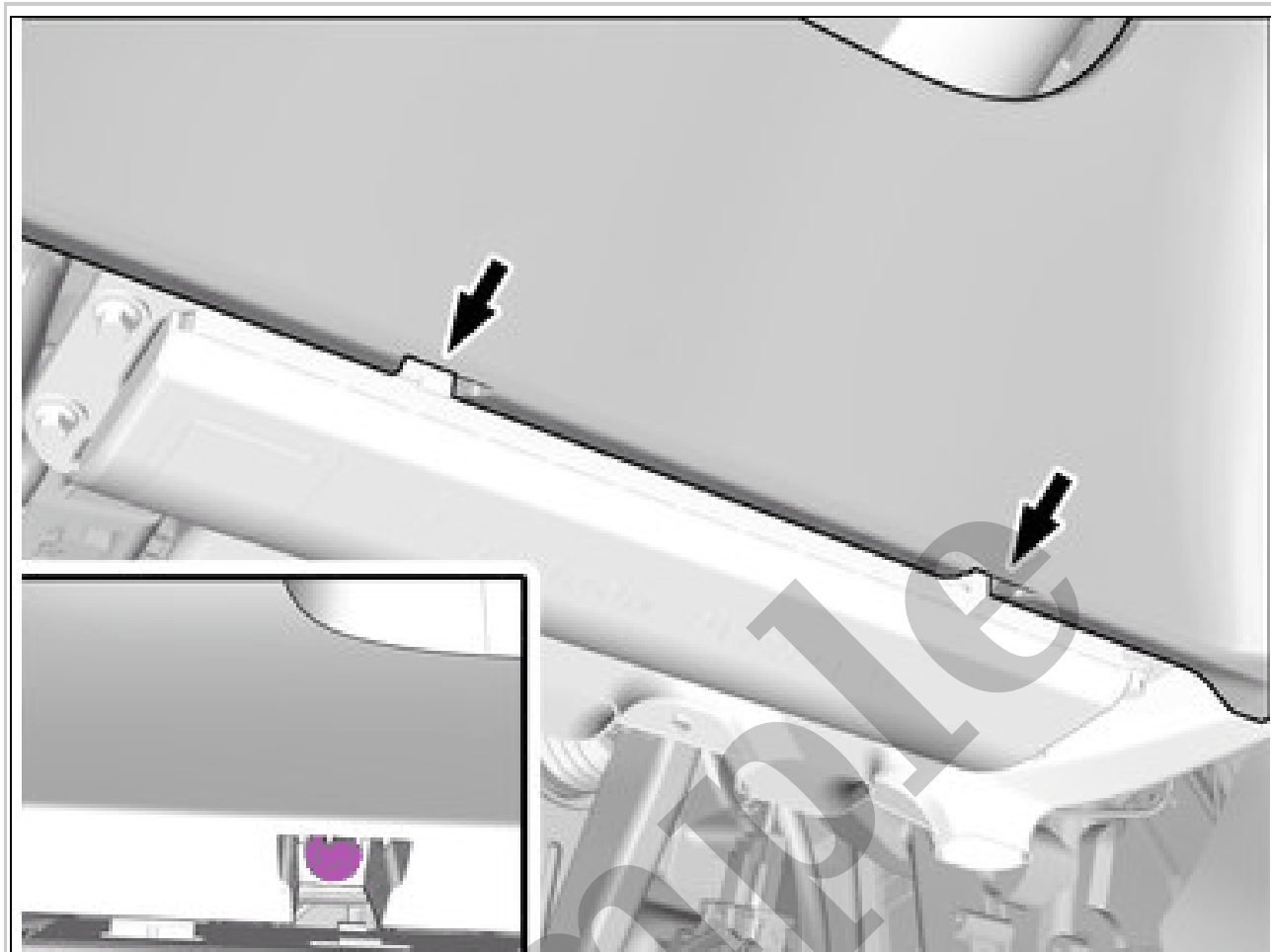
2008 VOLVO XC70 OEM Service and Repair Workshop Manual

[Go to manual page](#)



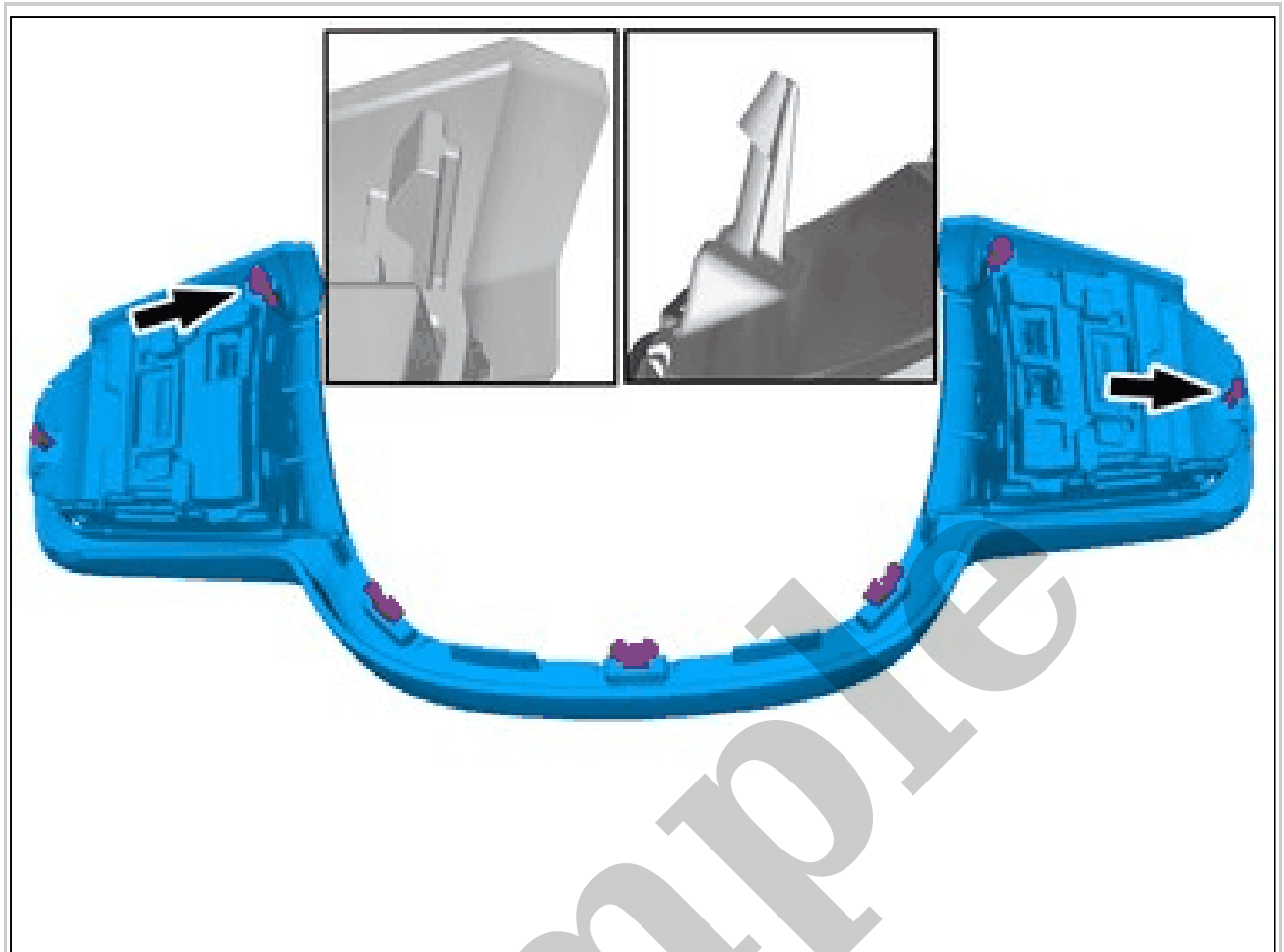
Courtesy of VOLVO CARS CORPORATION

Remove the marked part.



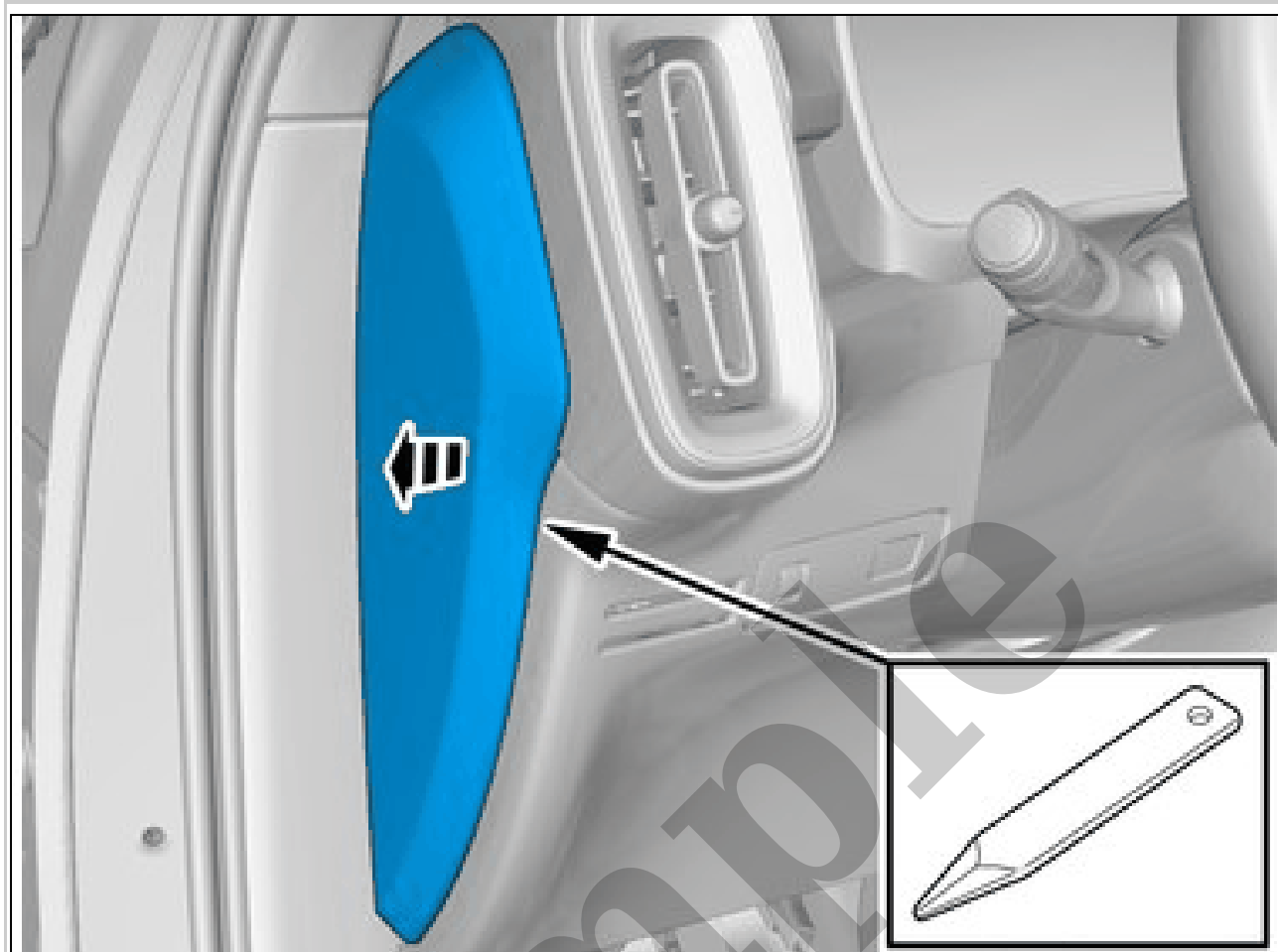
Courtesy of VOLVO CARS CORPORATION

Remove the screws.

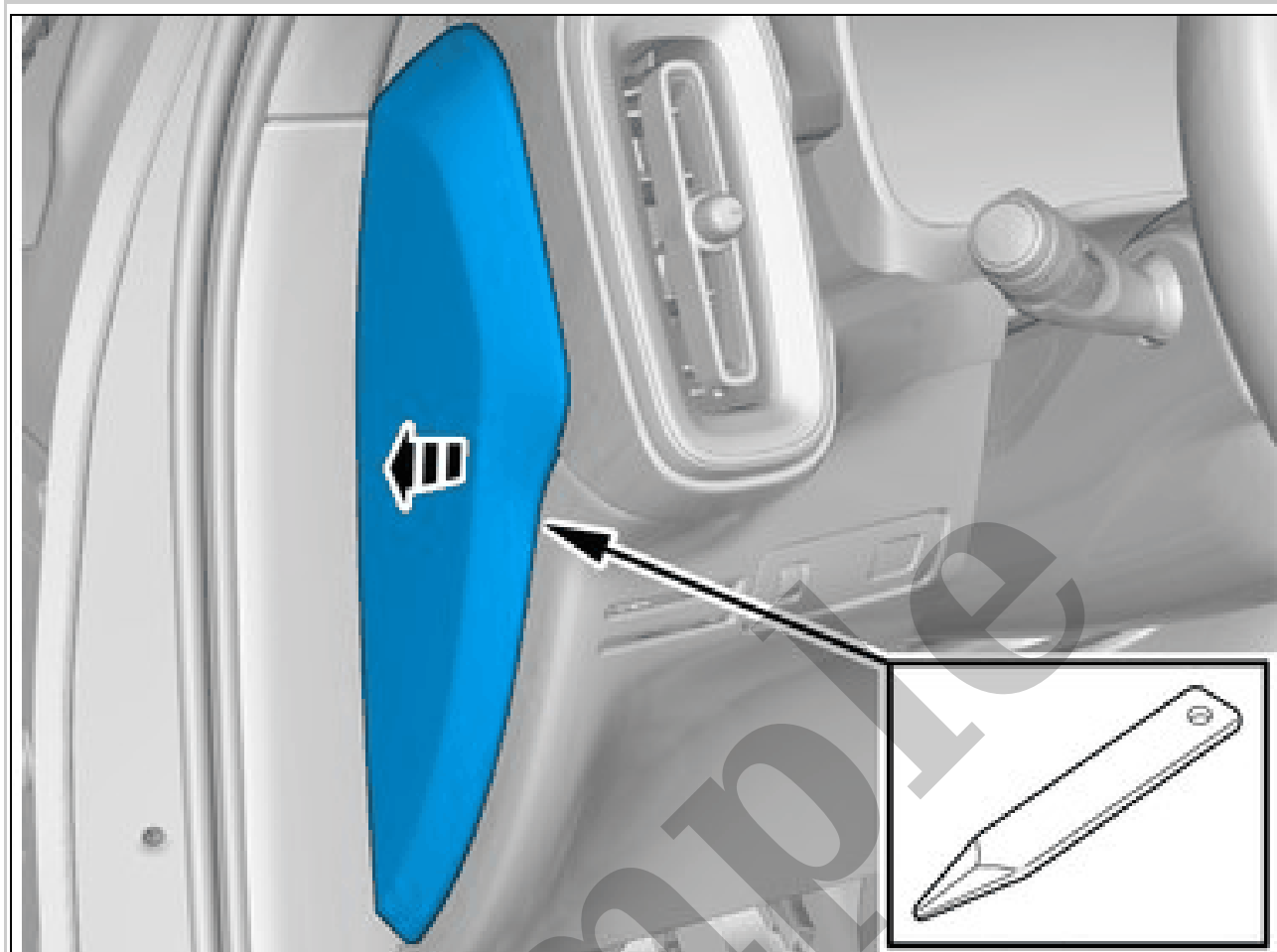


Courtesy of VOLVO CARS CORPORATION

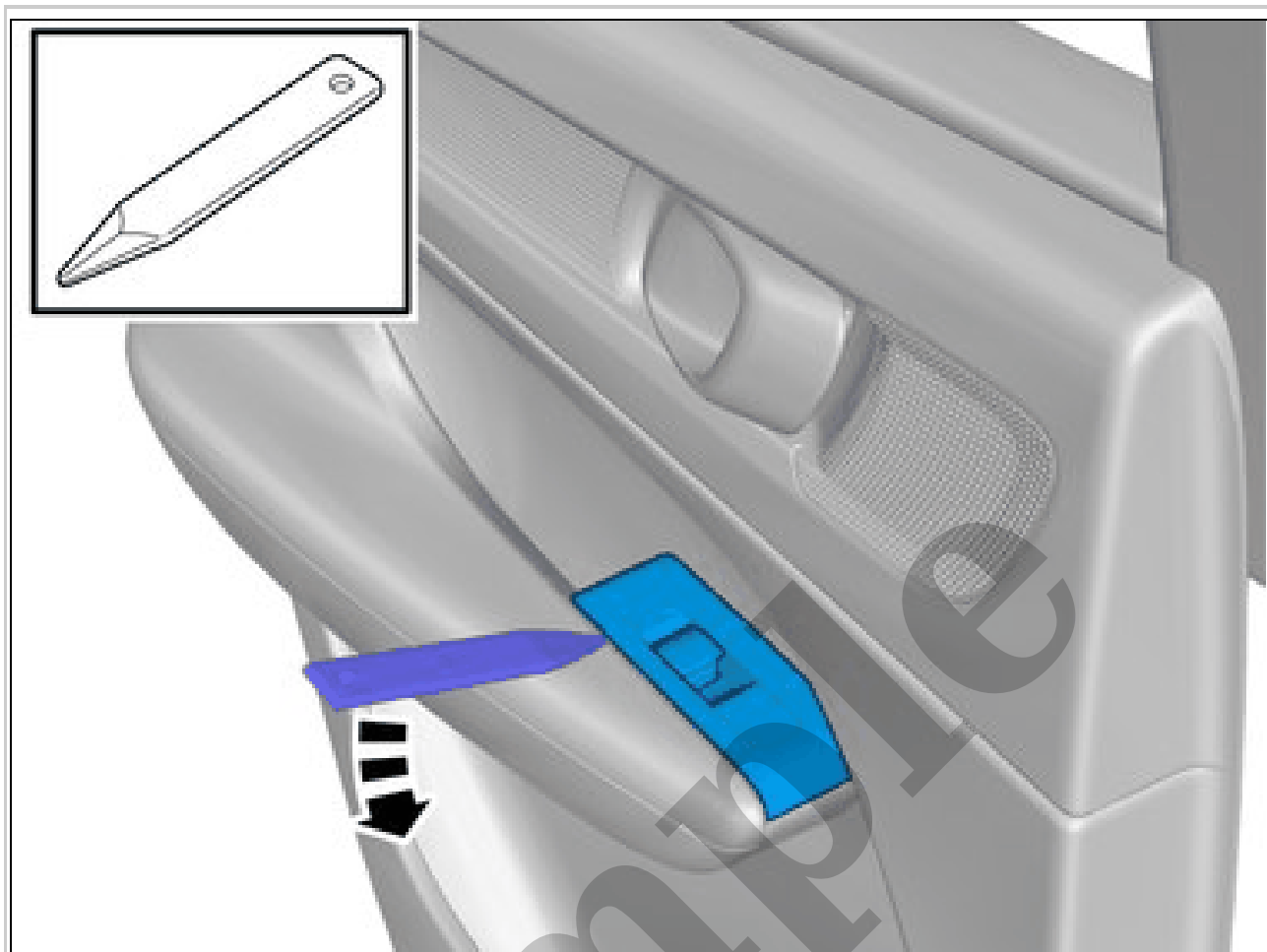
NOTE: *The graphic shows the back of the component before removal.*



Courtesy of VOLVO CARS CORPORATION

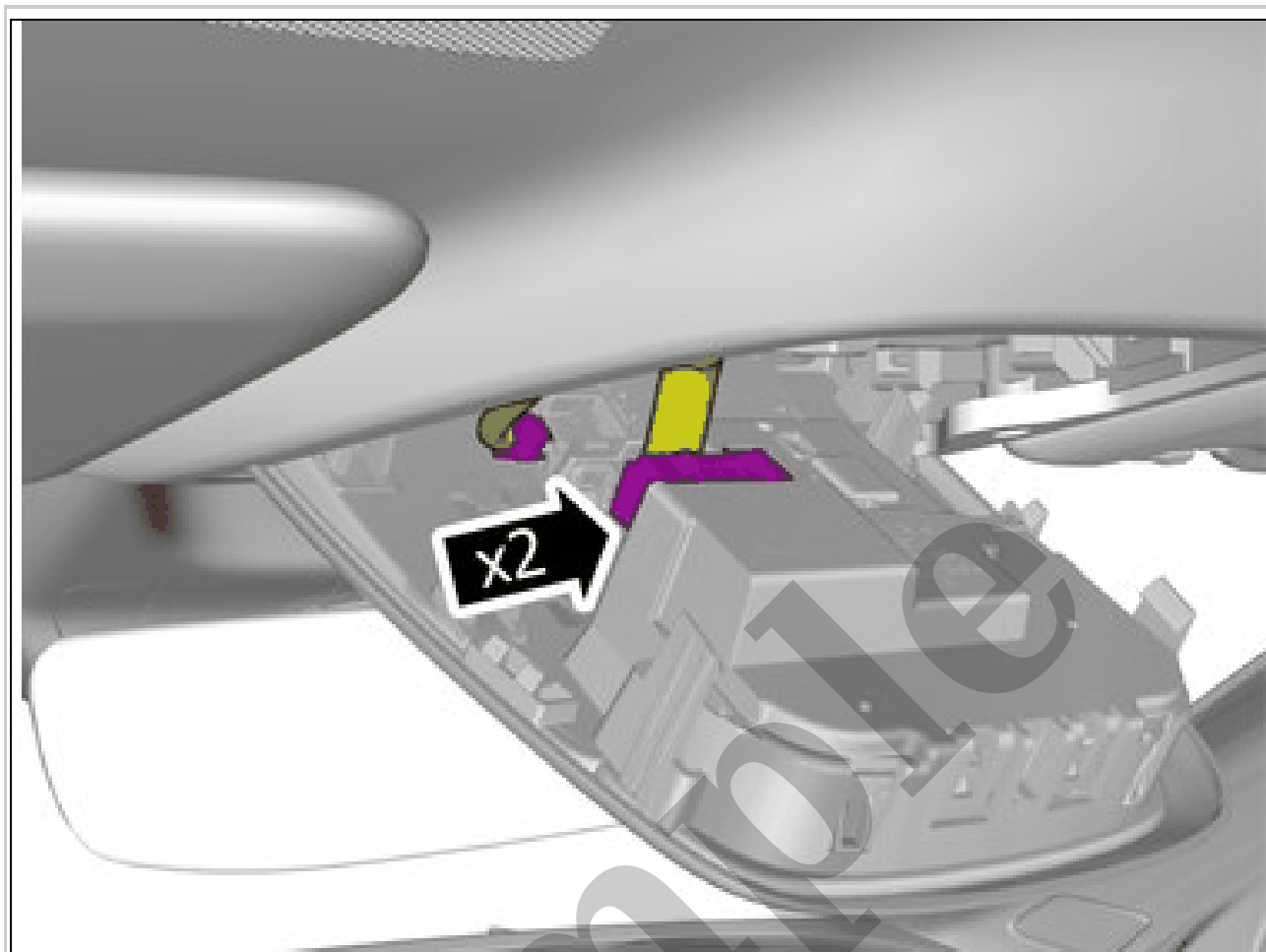


Courtesy of VOLVO CARS CORPORATION



Courtesy of VOLVO CARS CORPORATION

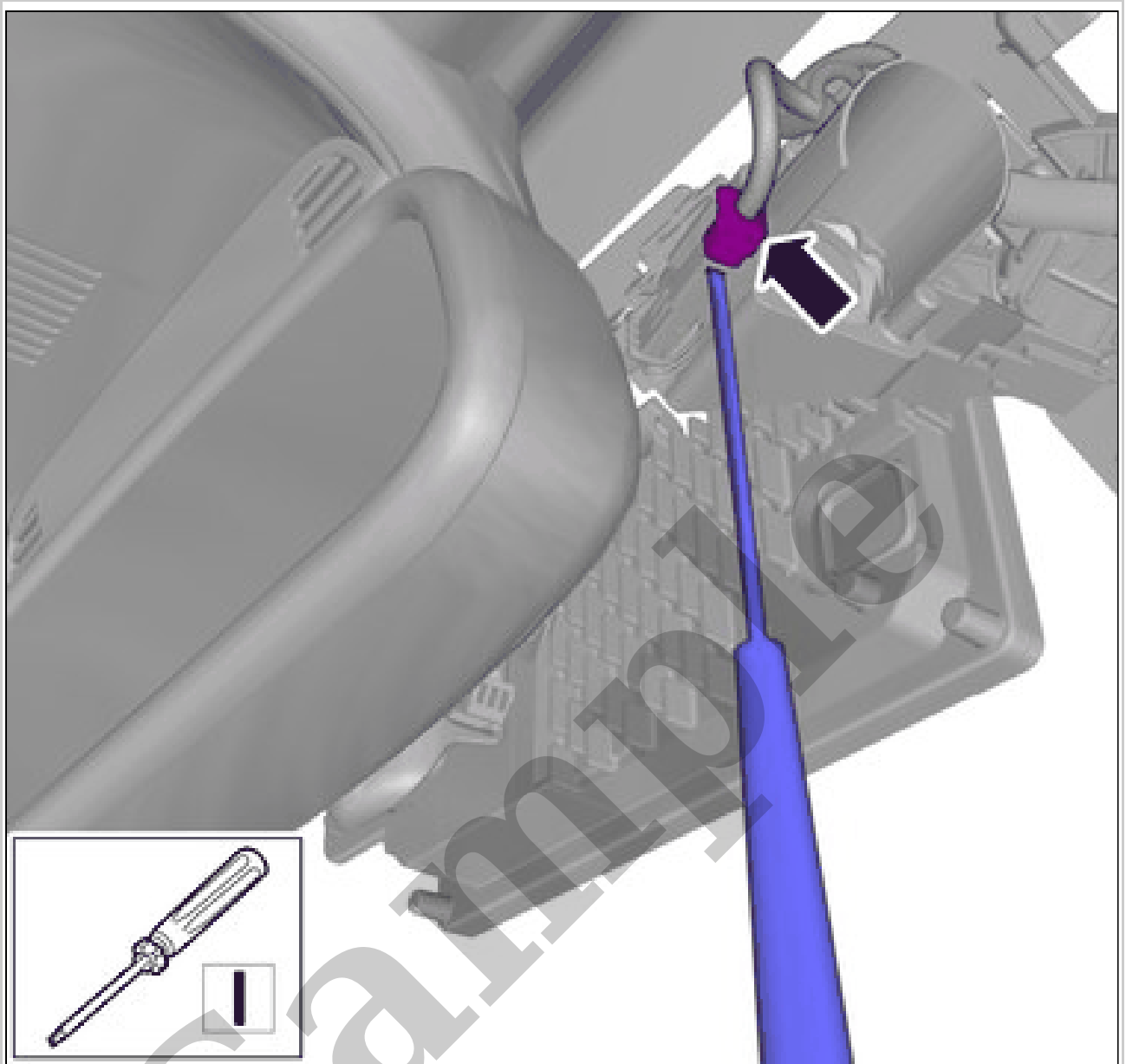
Remove the marked part.



Courtesy of VOLVO CARS CORPORATION

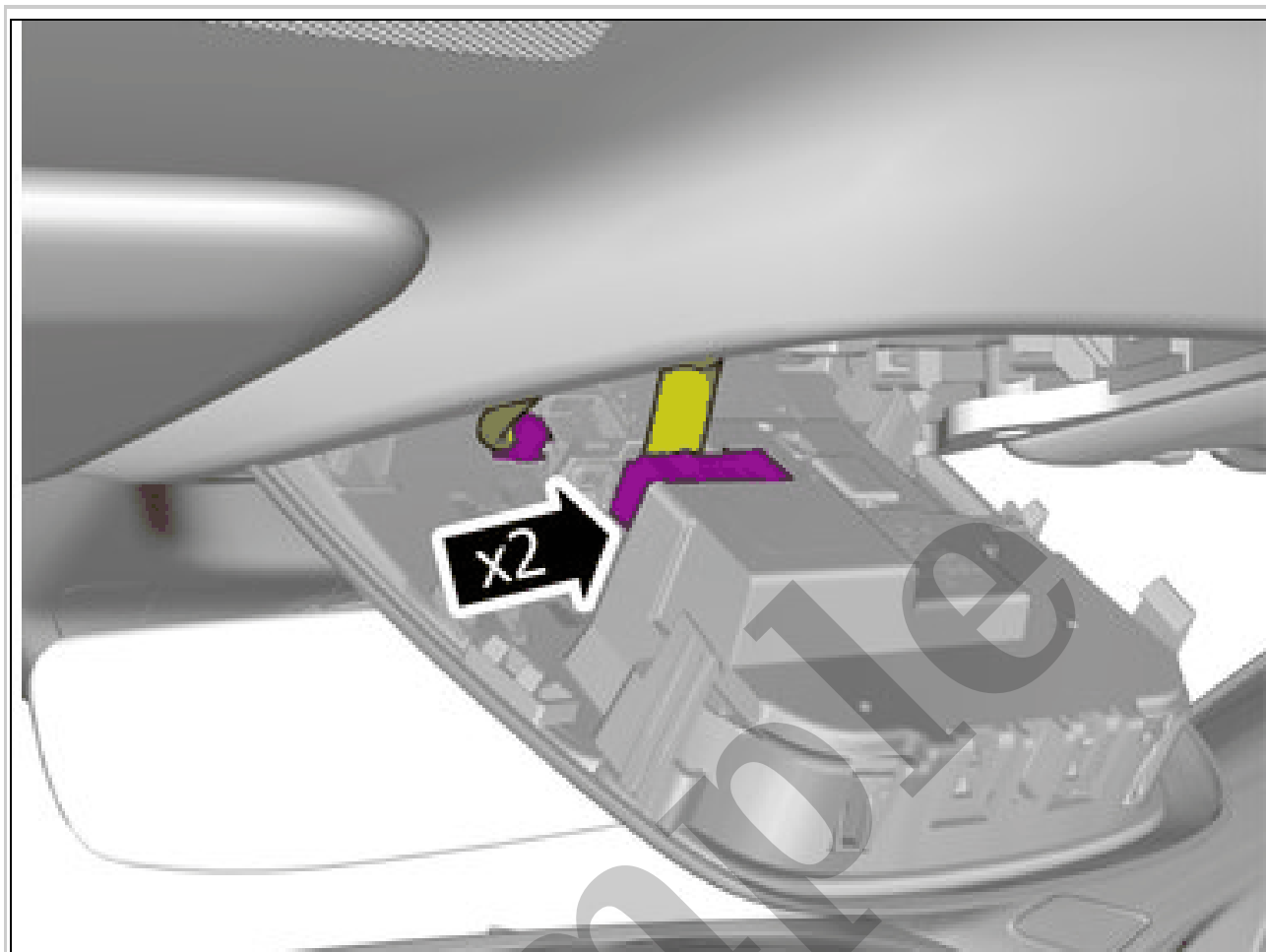
NOTE: *The number of connectors may vary depending on the vehicle's equipment level.*

Disconnect the connectors.



Courtesy of VOLVO CARS CORPORATION

Disconnect the connector.
Fold marked part aside.



Courtesy of VOLVO CARS CORPORATION

Disconnect the connectors.