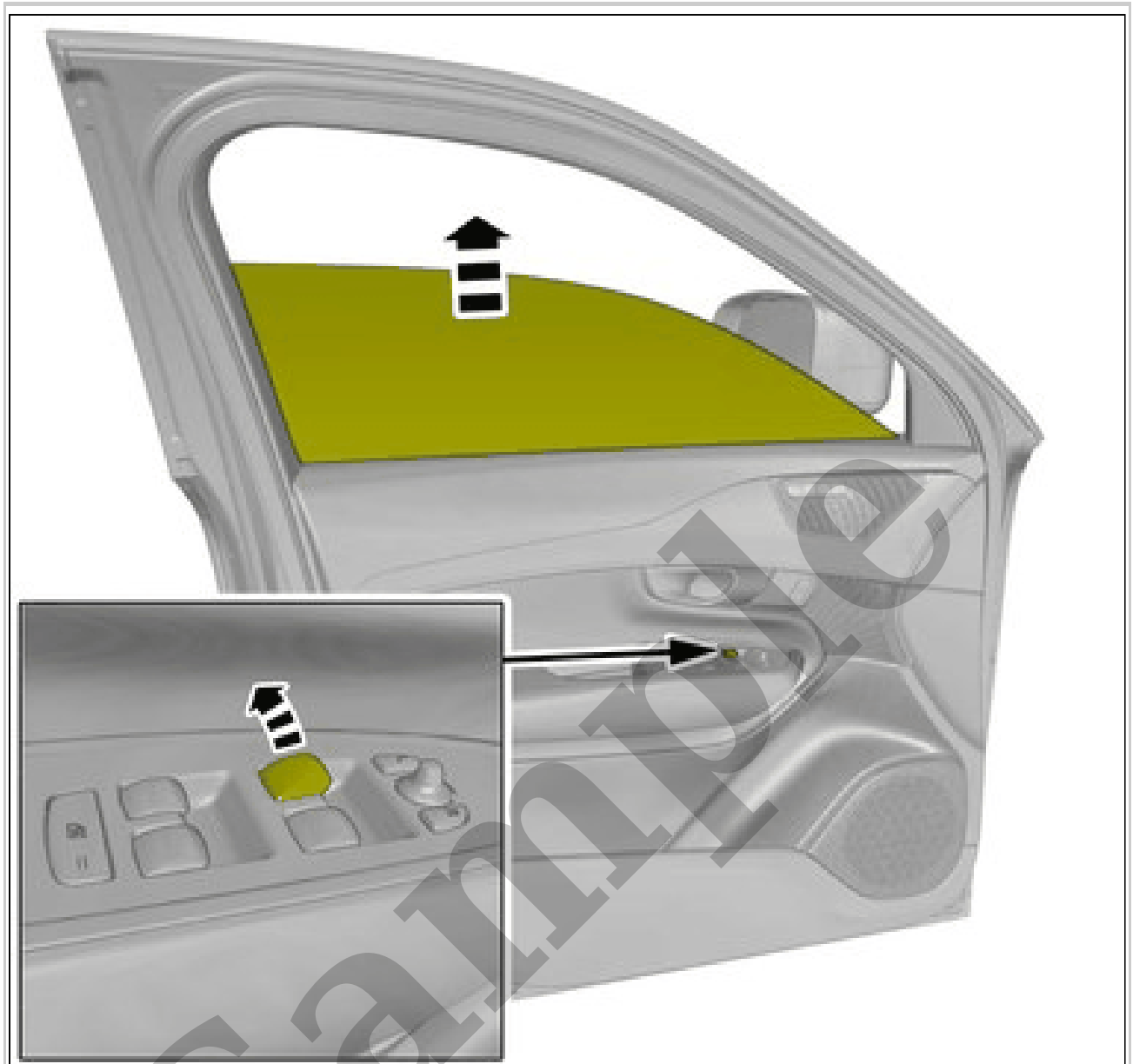


Your Ultimate Source for OEM Repair Manuals

FactoryManuals.net is a great resource for anyone who wants to save money on repairs by doing their own work. The manuals provide detailed instructions and diagrams that make it easy to understand how to fix a vehicle.

2008 VOLVO S80 OEM Service and Repair Workshop Manual

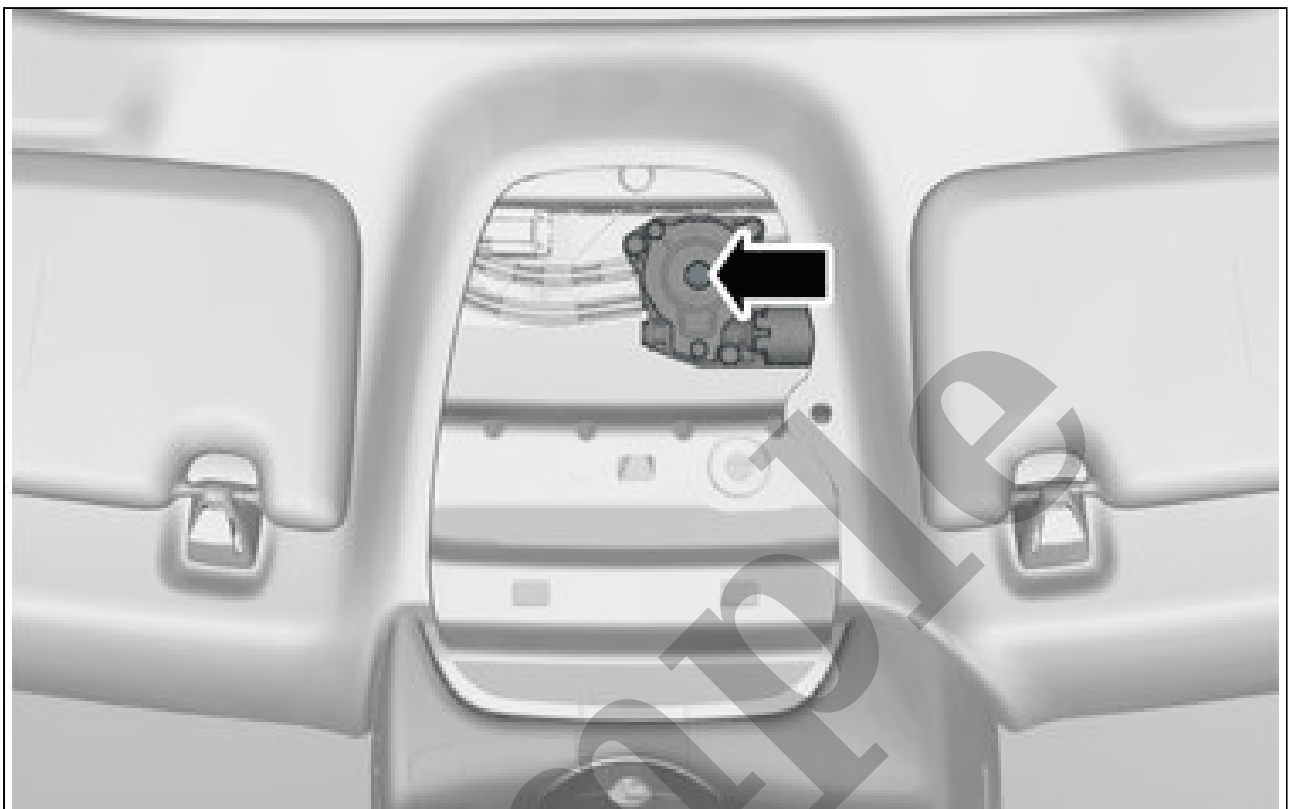
[Go to manual page](#)



Courtesy of VOLVO CARS CORPORATION

EMERGENCY OPENING SUN ROOF > EMERGENCY OPENING SUN ROOF [2018-2022] > REMOVAL

Remove the Overhead Console (OHC). Refer to: OVERHEAD CONSOLE



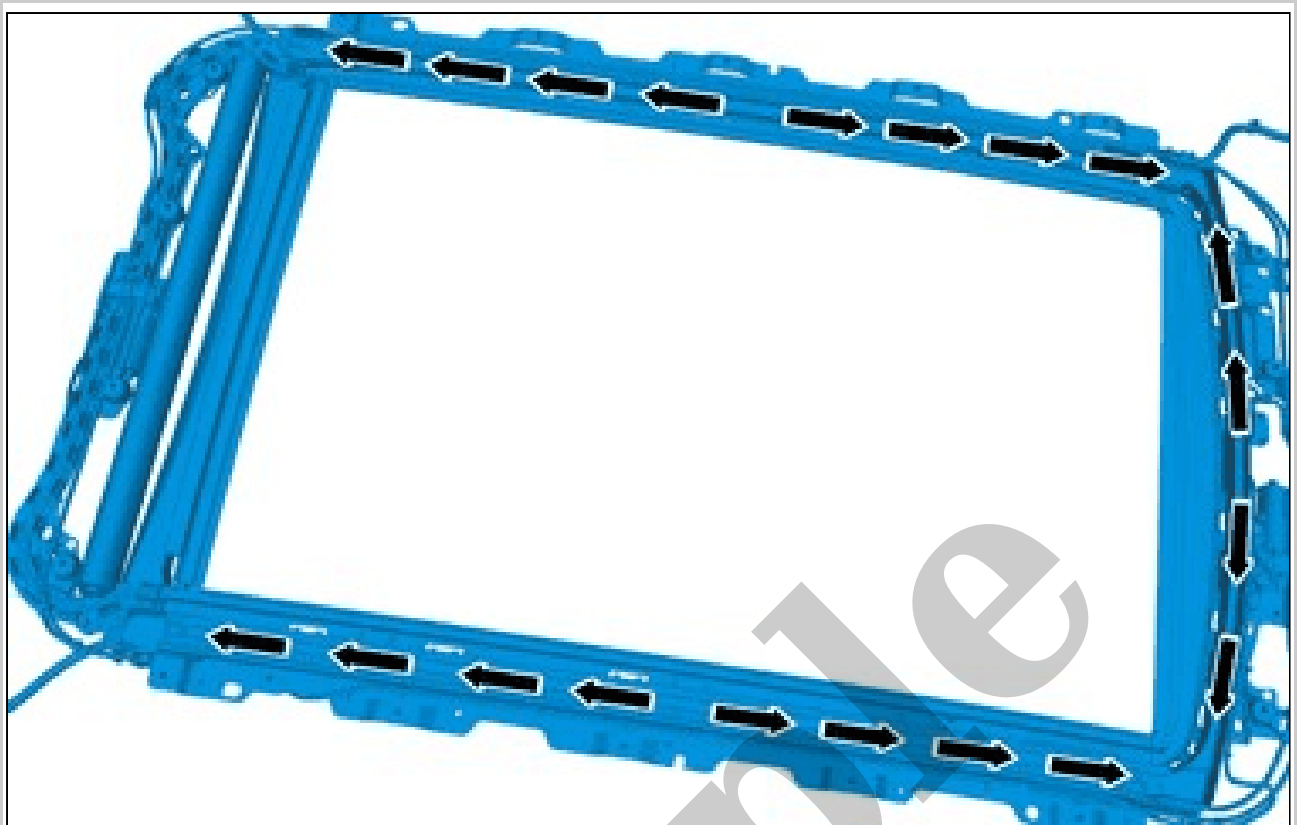
Courtesy of VOLVO CARS CORPORATION

EMERGENCY OPENING SUN ROOF > EMERGENCY OPENING SUN ROOF [2018-2022] > INSTALLATION

Install Overhead console OHC. Refer to: OVERHEAD CONSOLE

LEAK TESTING THE SUN ROOF > LEAK TESTING THE SUN ROOF [2018-2022] > REMOVAL

Remove the headlining. Refer to: HEADLINING

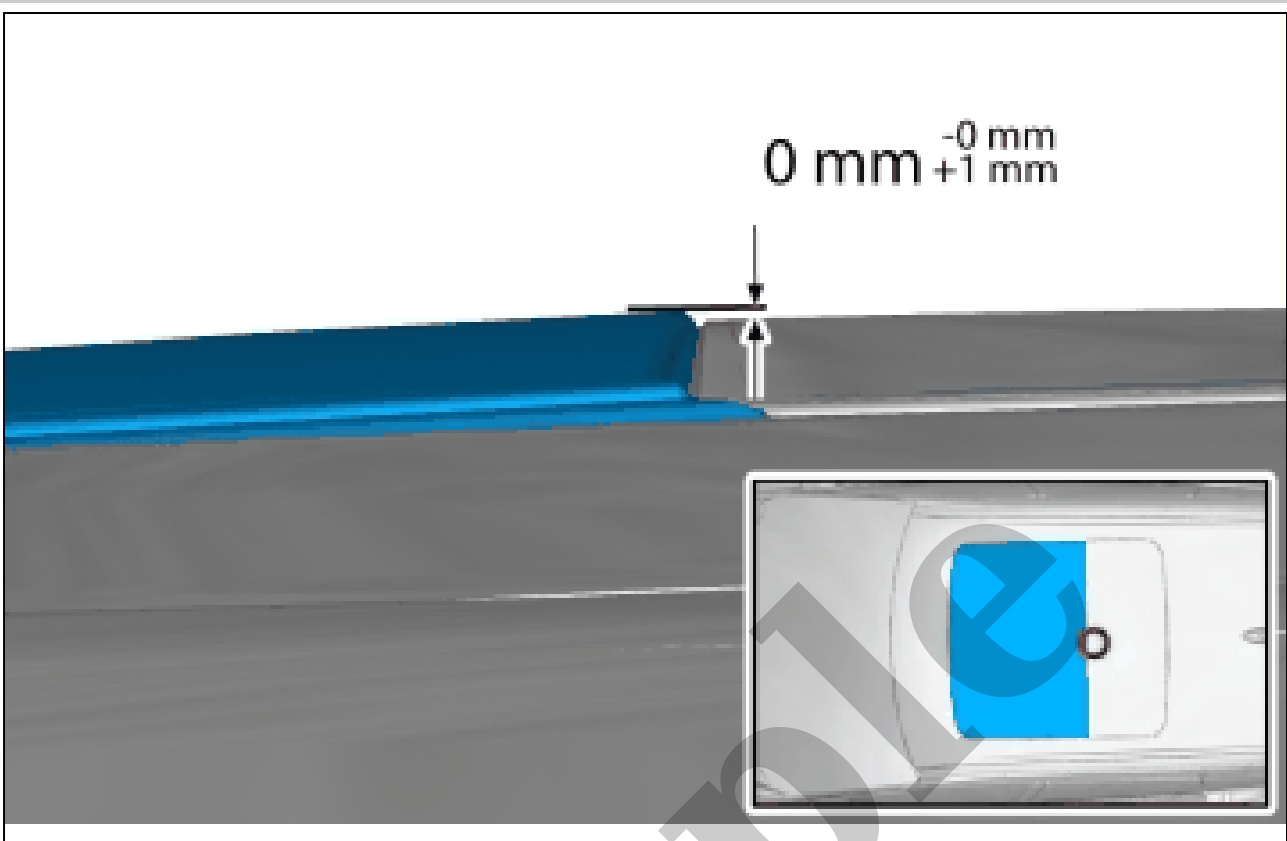


Courtesy of VOLVO CARS CORPORATION

LEAK TESTING THE SUN ROOF > LEAK TESTING THE SUN ROOF [2018-2022] > INSTALLATION

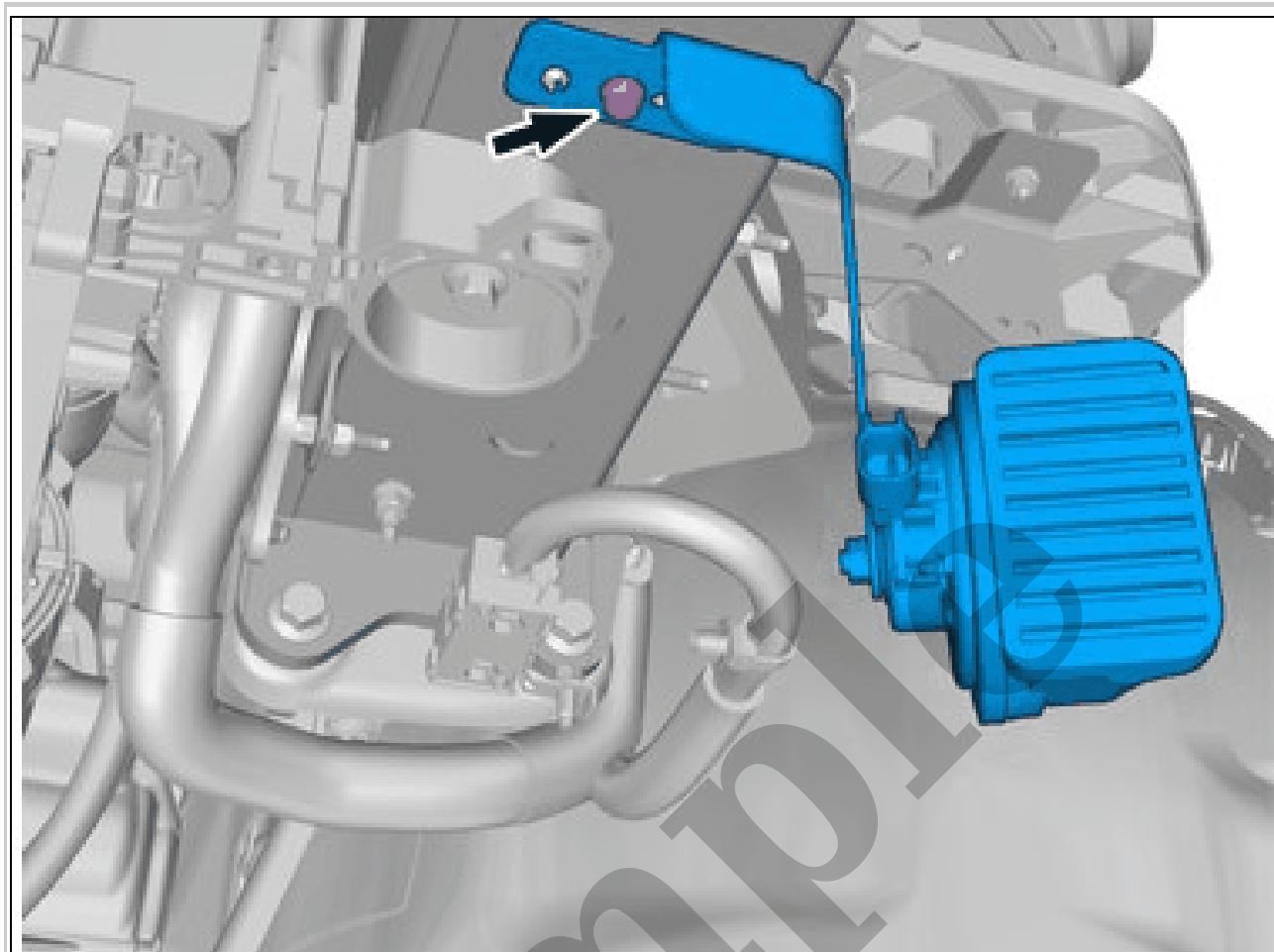
Install the headlining. Refer to: HEADLINING

SUN ROOF > SUN ROOF [2018-2022] > REMOVAL



Courtesy of VOLVO CARS CORPORATION

Sample



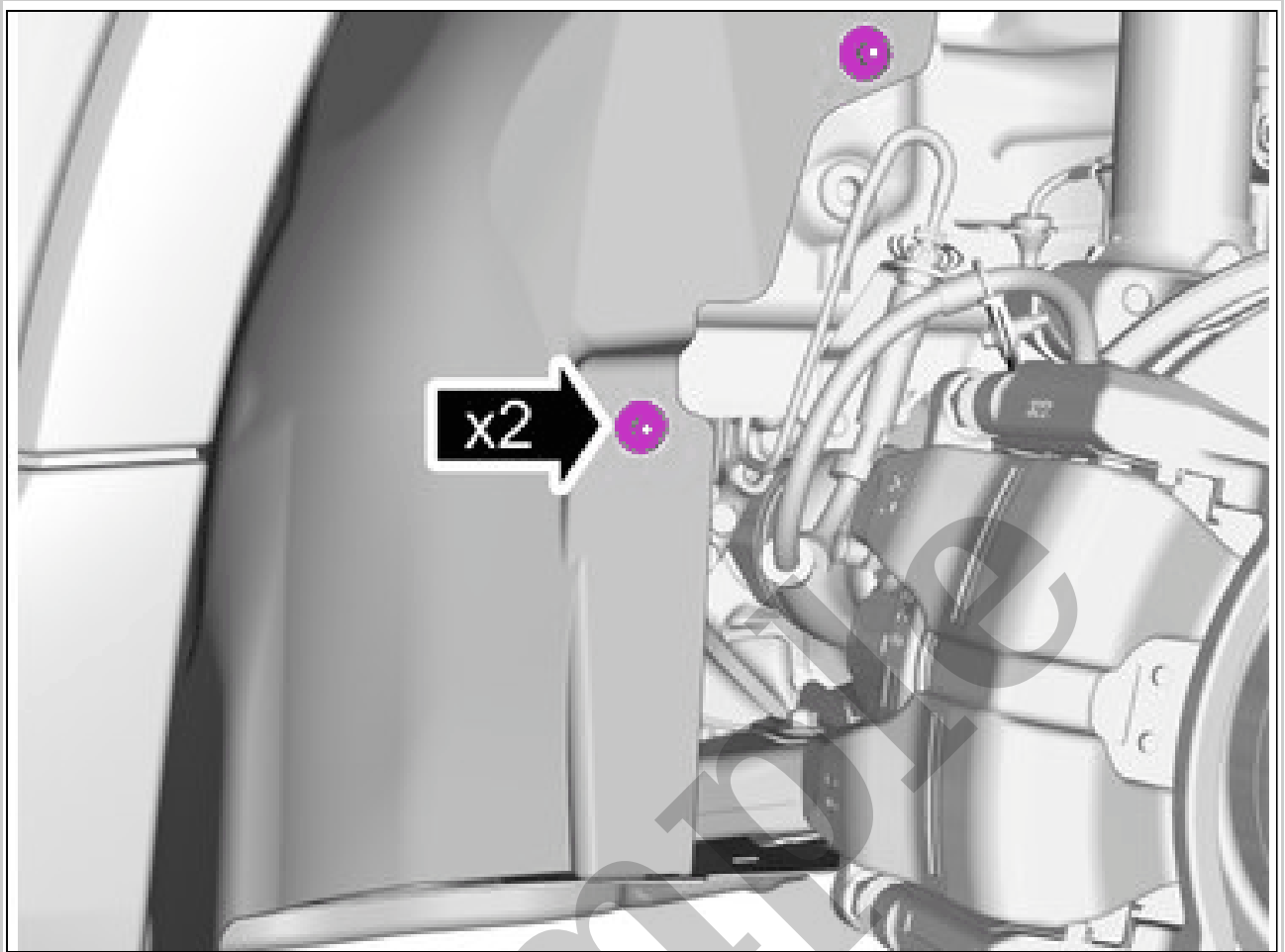
Courtesy of VOLVO CARS CORPORATION

Remove the screw.

Torque: M6, 10Nm

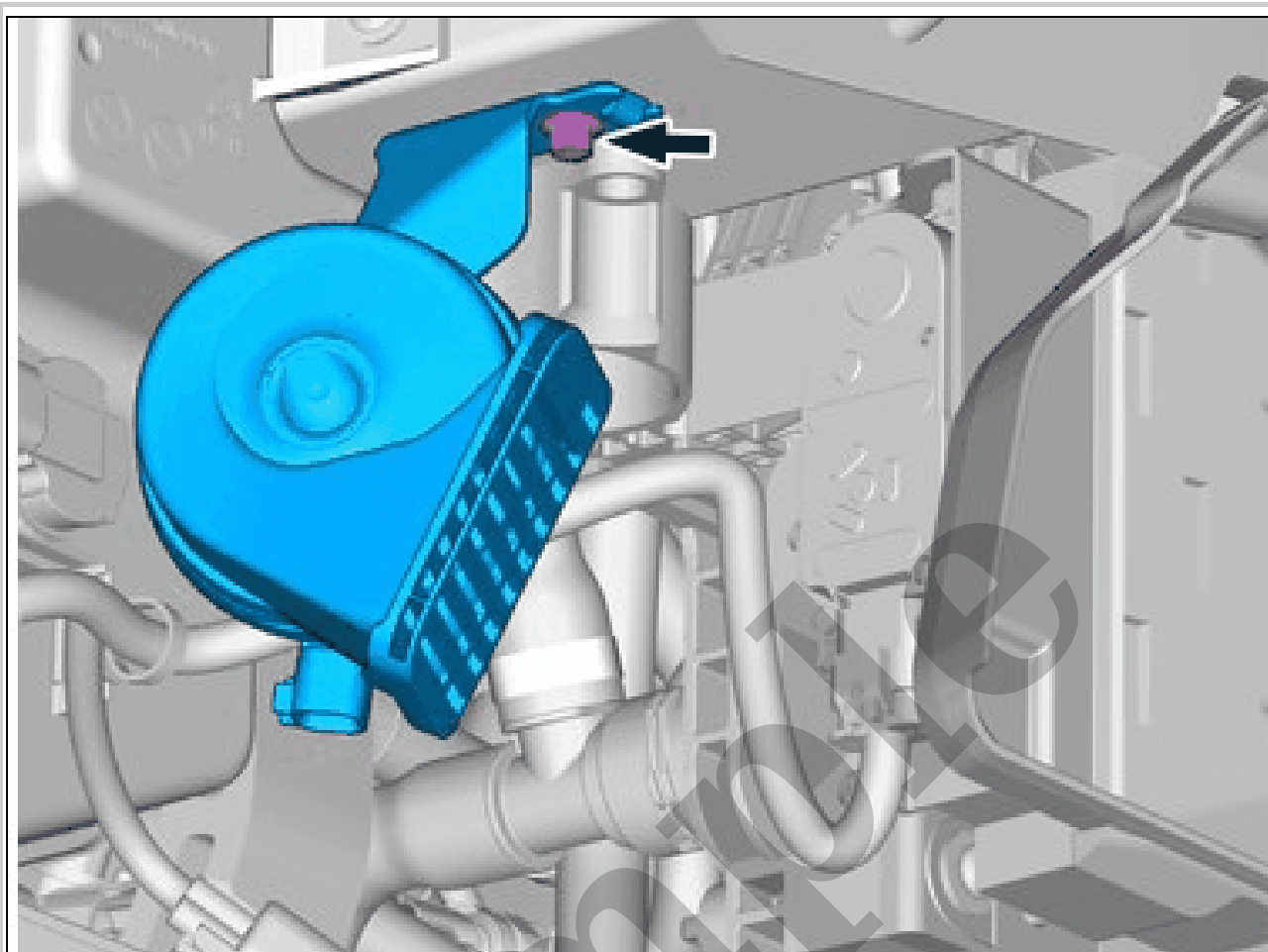
Remove the marked part.

APPLIES TO THE RIGHT-HAND SIDE



Courtesy of VOLVO CARS CORPORATION

Remove the nuts.



Courtesy of VOLVO CARS CORPORATION

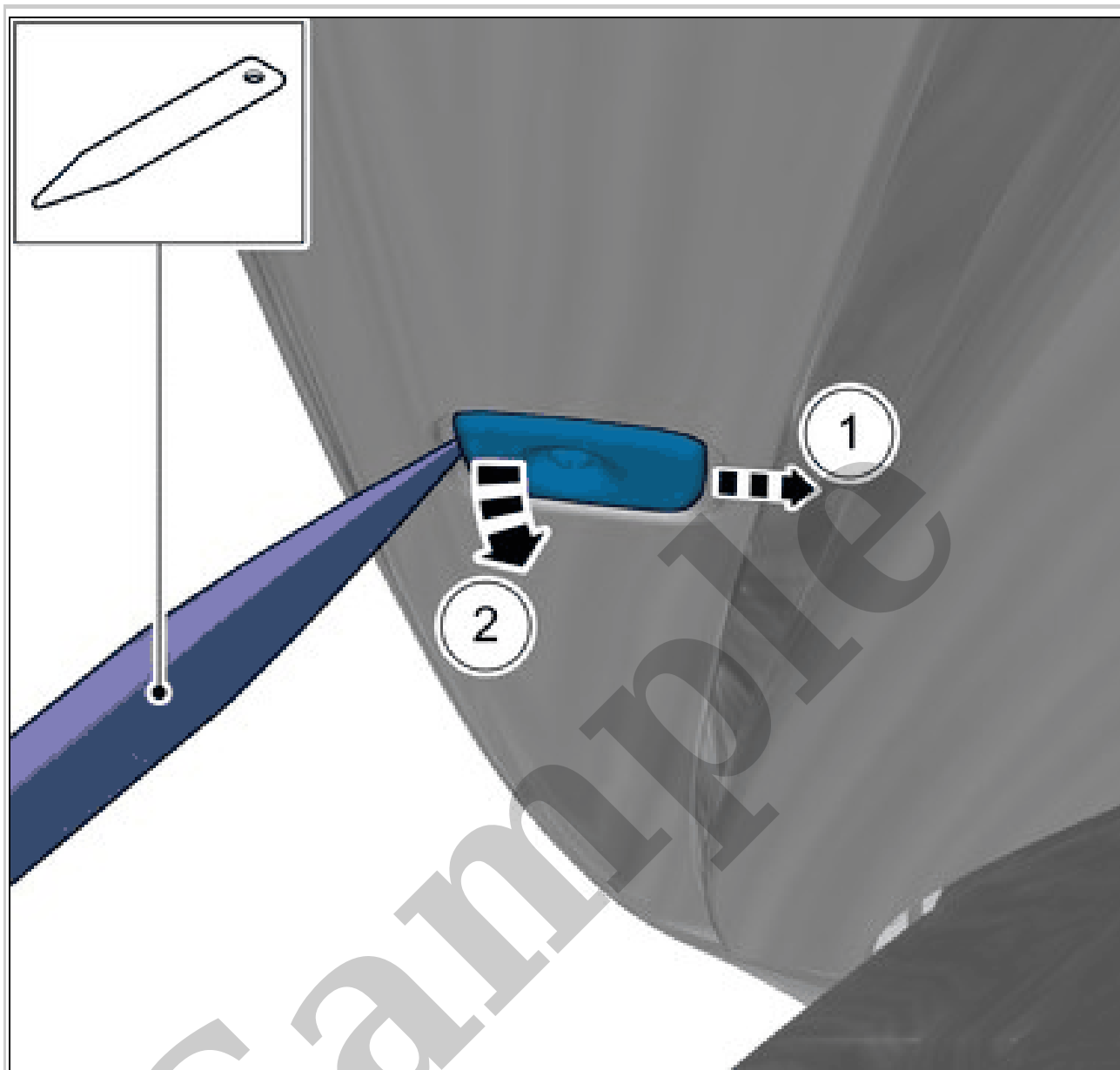
Remove the screw.
Remove the marked part.
Torque: M6, 10Nm

HORN > HORN [2021-2022, E400V6] > INSTALLATION

To install, reverse the removal procedure.

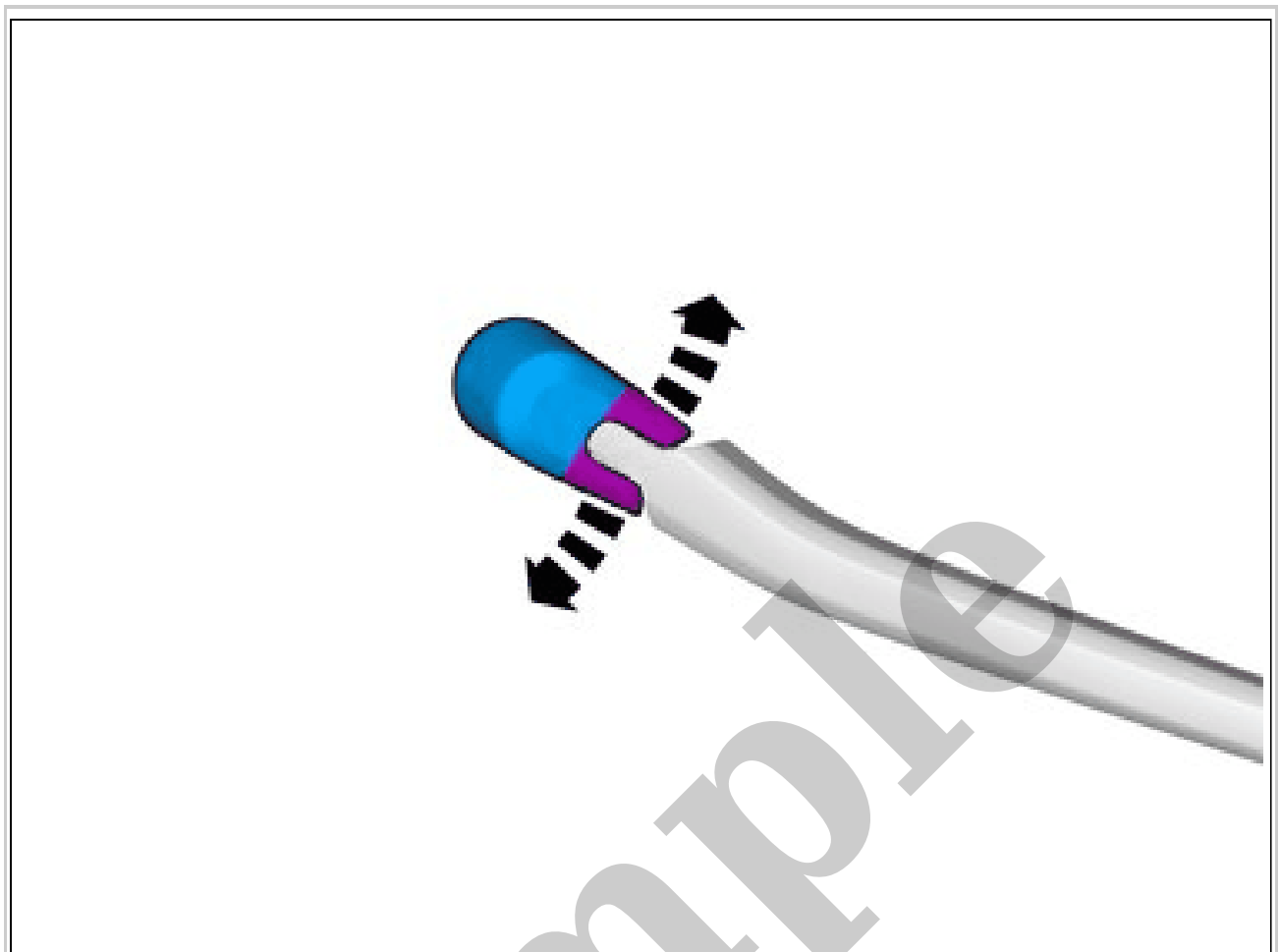
HEADLIGHT WASHERS > HEADLIGHT WASHERS [2018-2022] > REMOVAL

Remove casing bumper front. Refer to: COVER BUMPER FRONT



Courtesy of VOLVO CARS CORPORATION

Remove the part carefully



Courtesy of VOLVO CARS CORPORATION

Remove the marked part.

INSTALLATION

To install, reverse the removal procedure.

**REFILL RUBBER, WIPER BLADE > REFILL RUBBER, WIPER BLADE [2018-2022] >
REMOVAL**