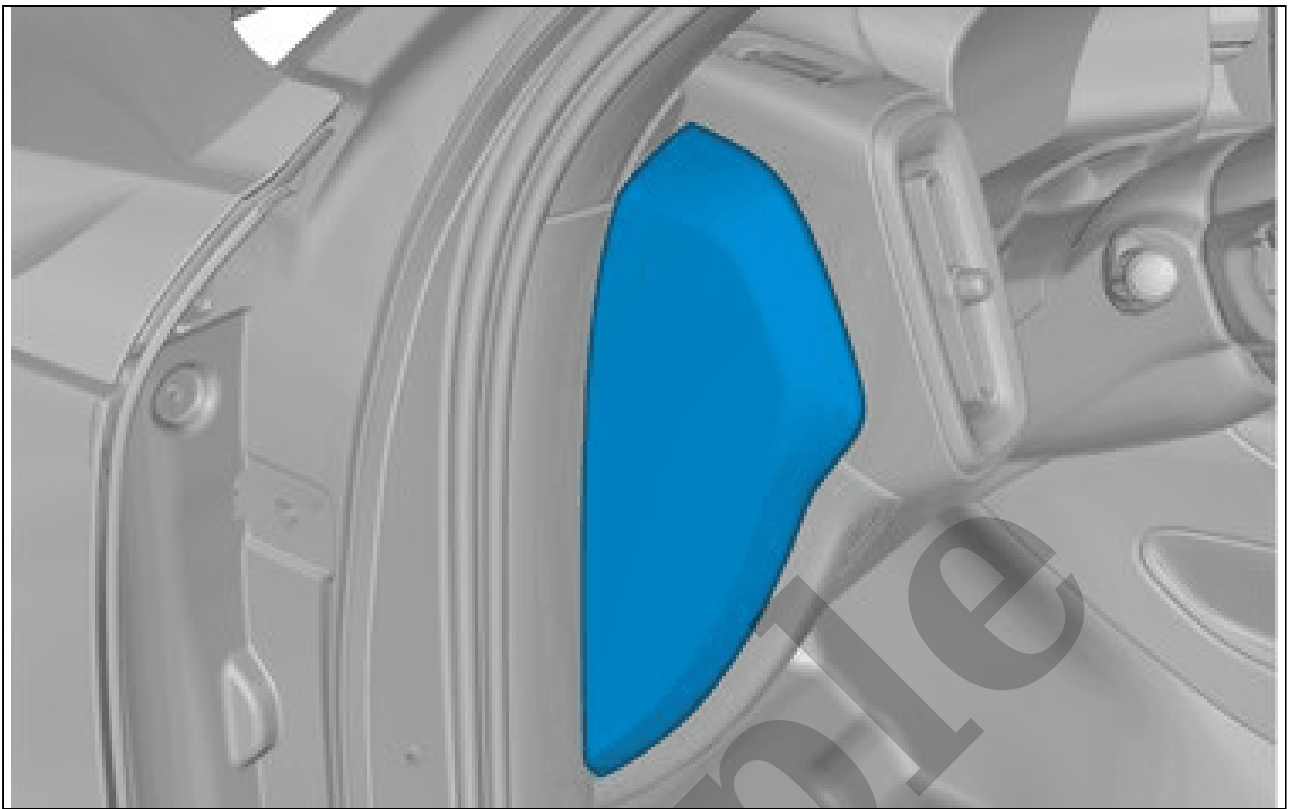


Your Ultimate Source for OEM Repair Manuals

FactoryManuals.net is a great resource for anyone who wants to save money on repairs by doing their own work. The manuals provide detailed instructions and diagrams that make it easy to understand how to fix a vehicle.

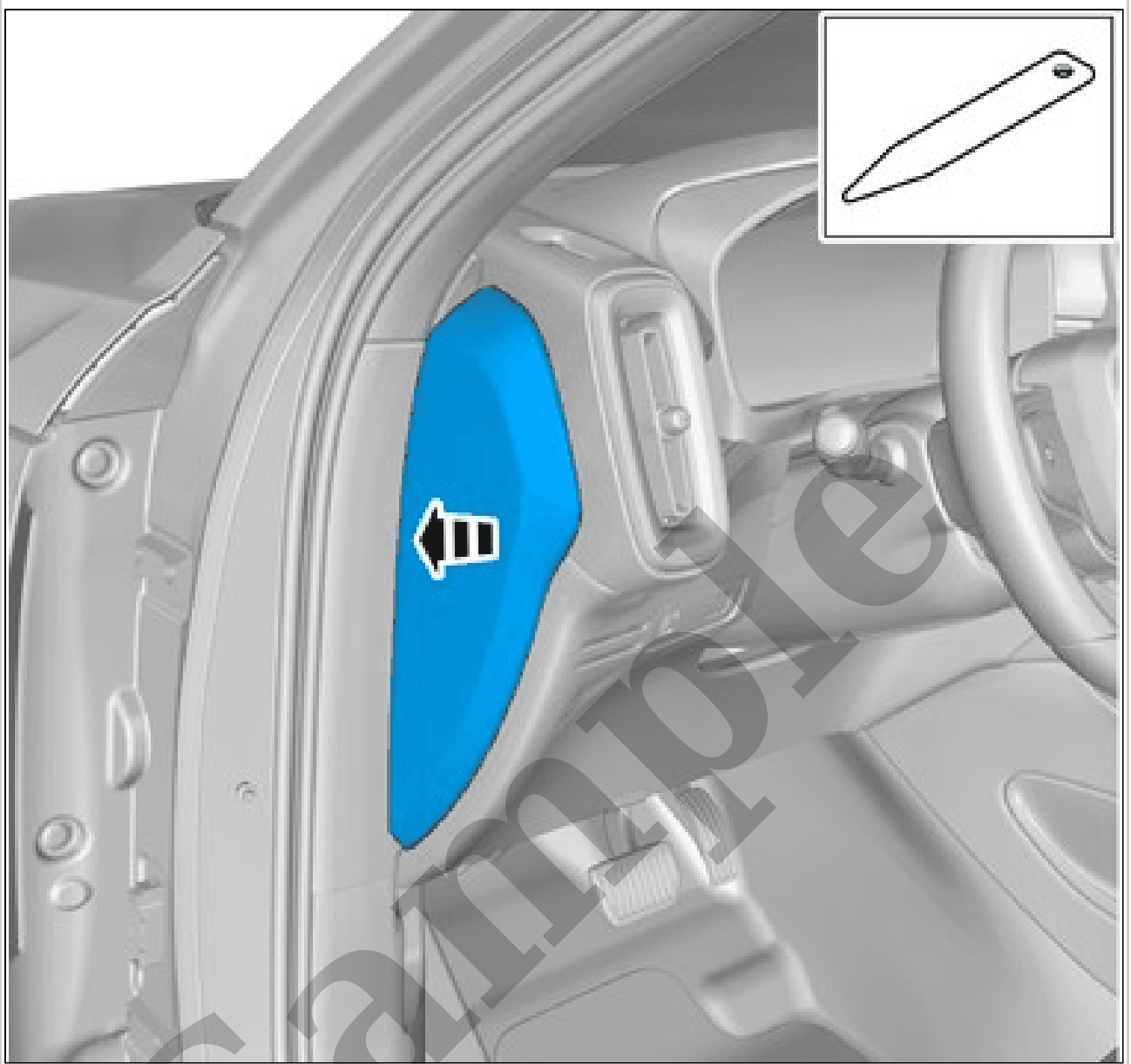
2007 VOLVO XC90 OEM Service and Repair Workshop Manual

[Go to manual page](#)



Courtesy of VOLVO CARS CORPORATION

Remove the marked part.



Courtesy of VOLVO CARS CORPORATION

Remove the panel.

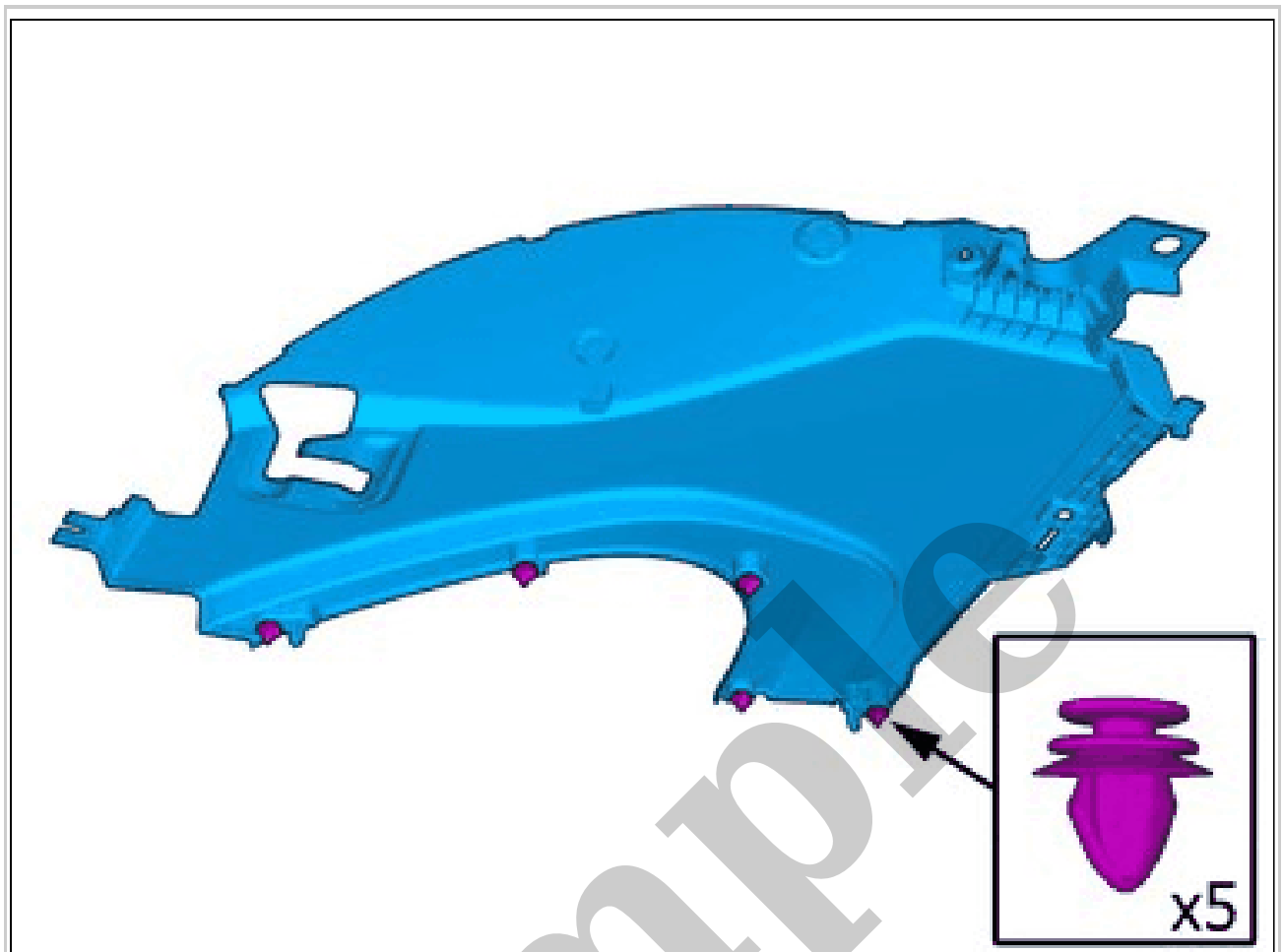


Courtesy of VOLVO CARS CORPORATION

CAUTION: *Take extra care not to crease the headliner.*

NOTE: *Velcro strip*

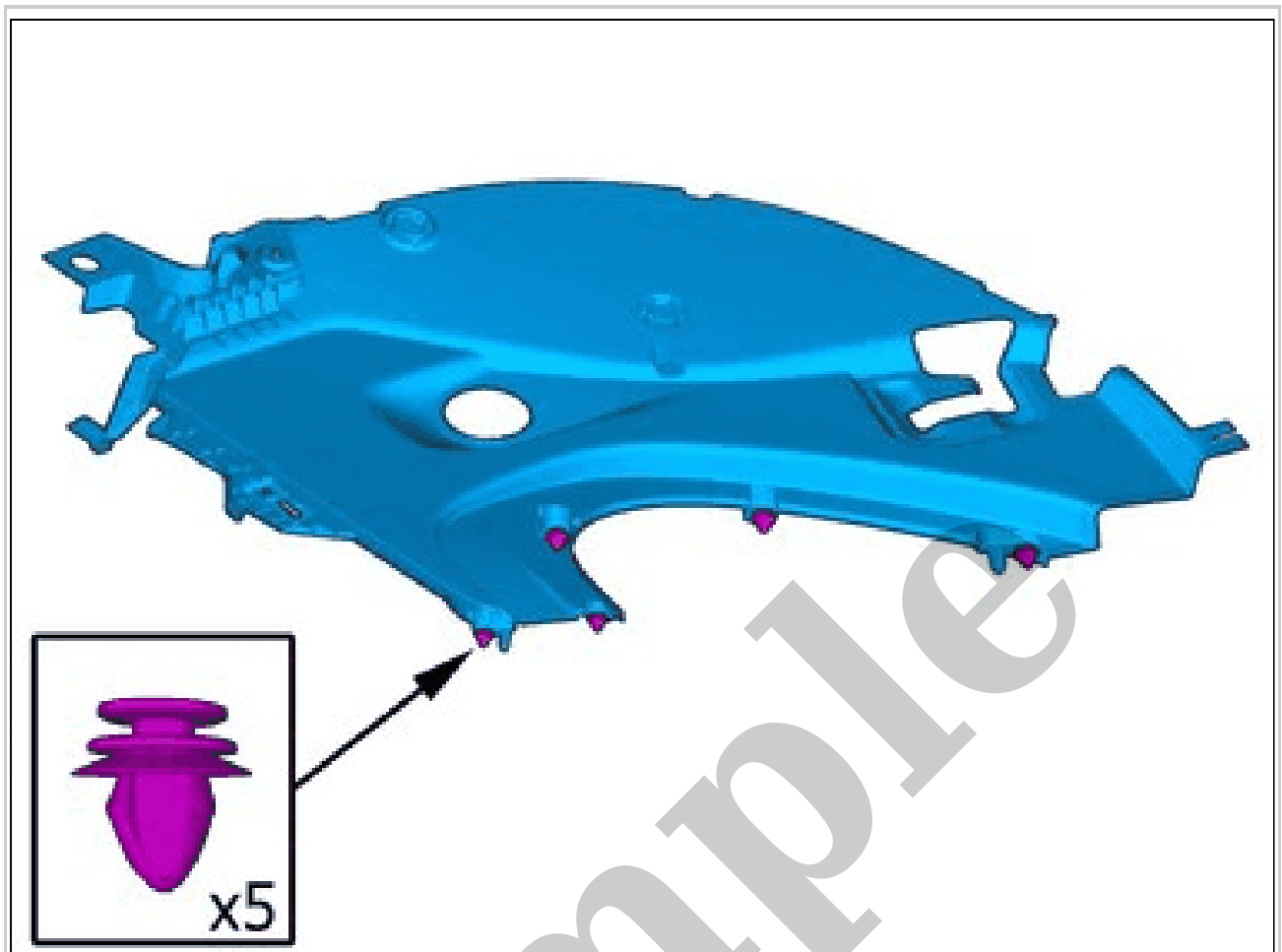
Use: Interior trim remover



Courtesy of VOLVO CARS CORPORATION

NOTE: Orientation view

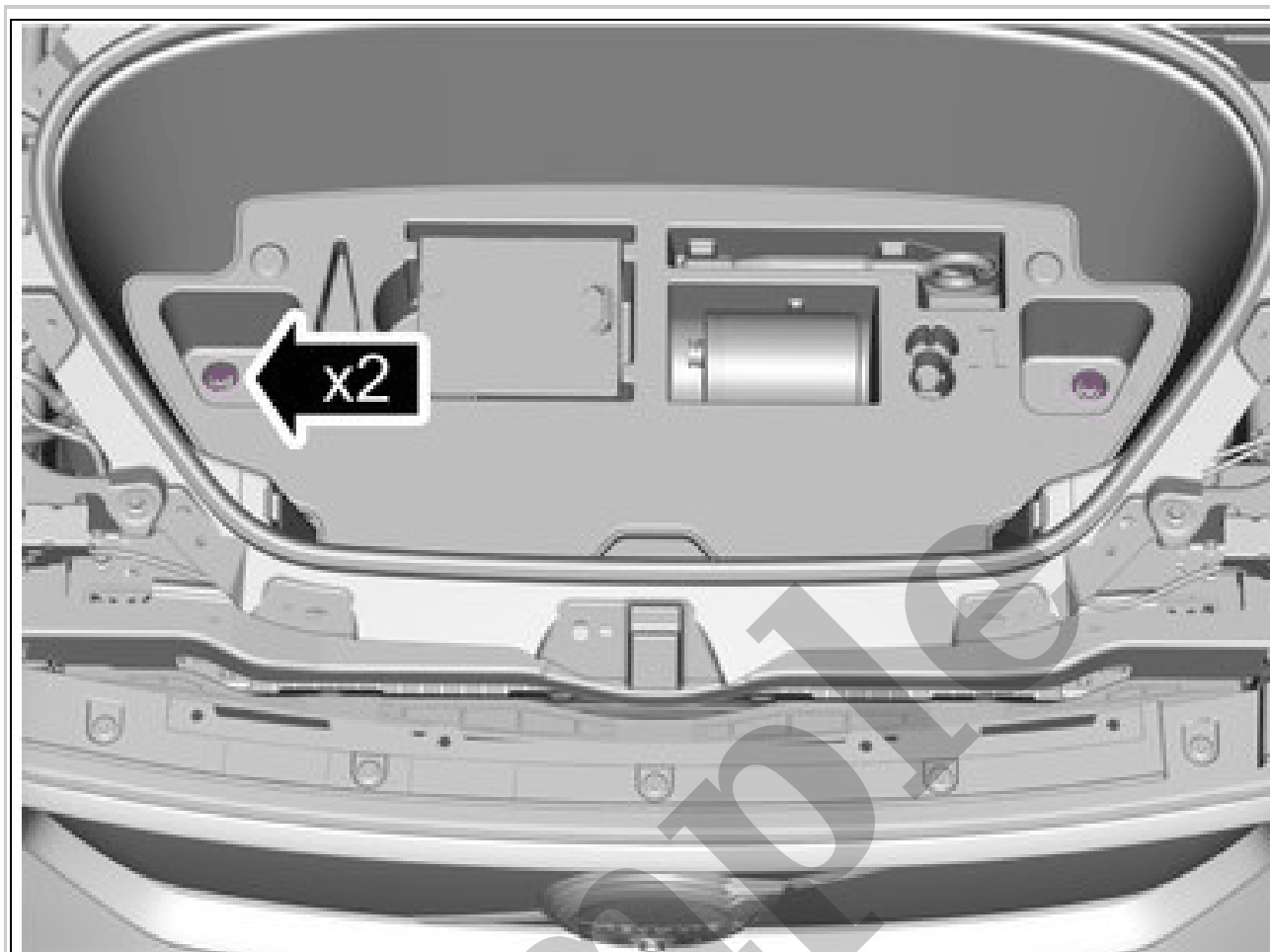
NOTE: The graphic shows the back of the component before removal.



Courtesy of VOLVO CARS CORPORATION

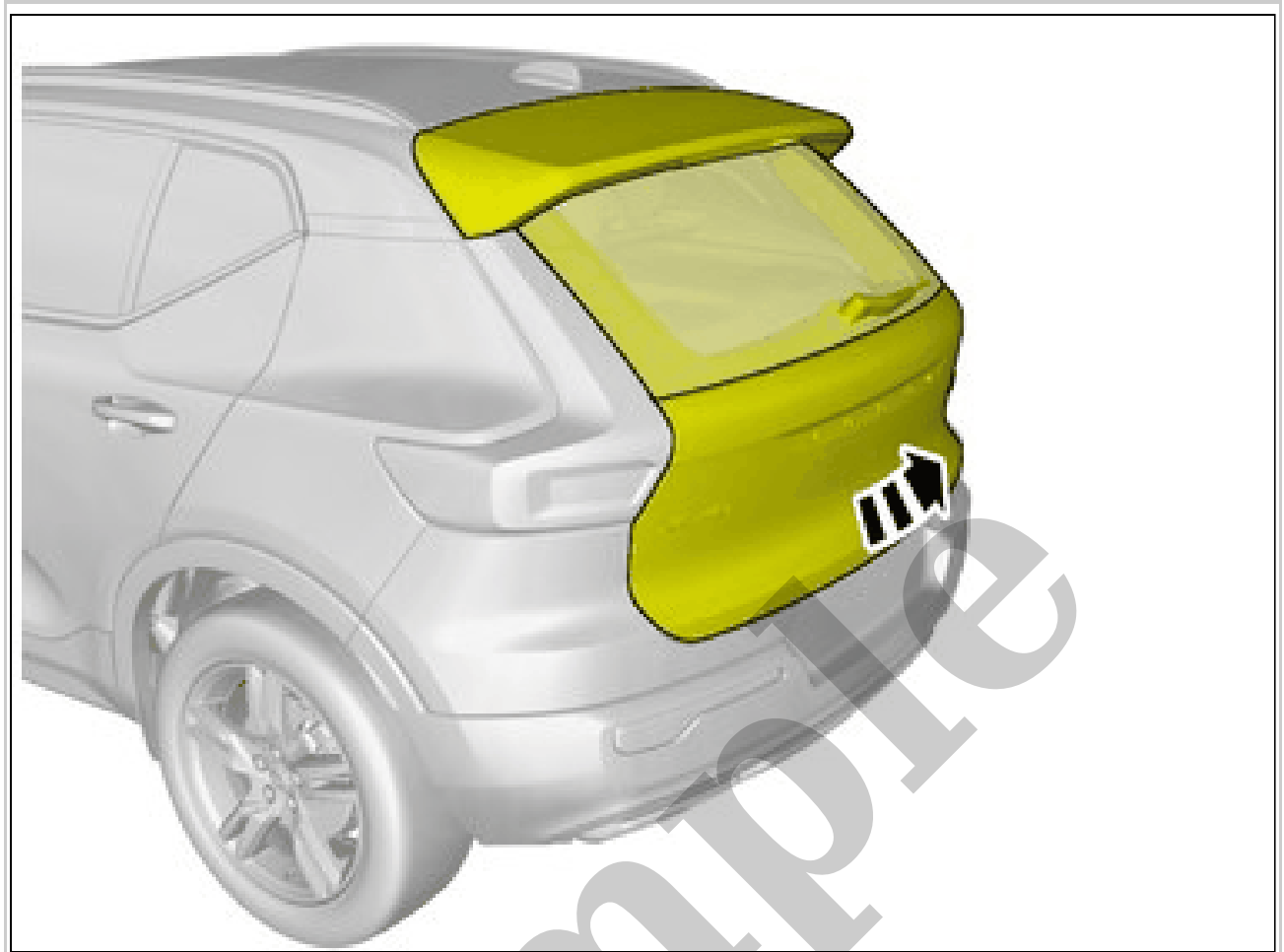
NOTE: Orientation view

NOTE: The graphic shows the back of the component before removal.

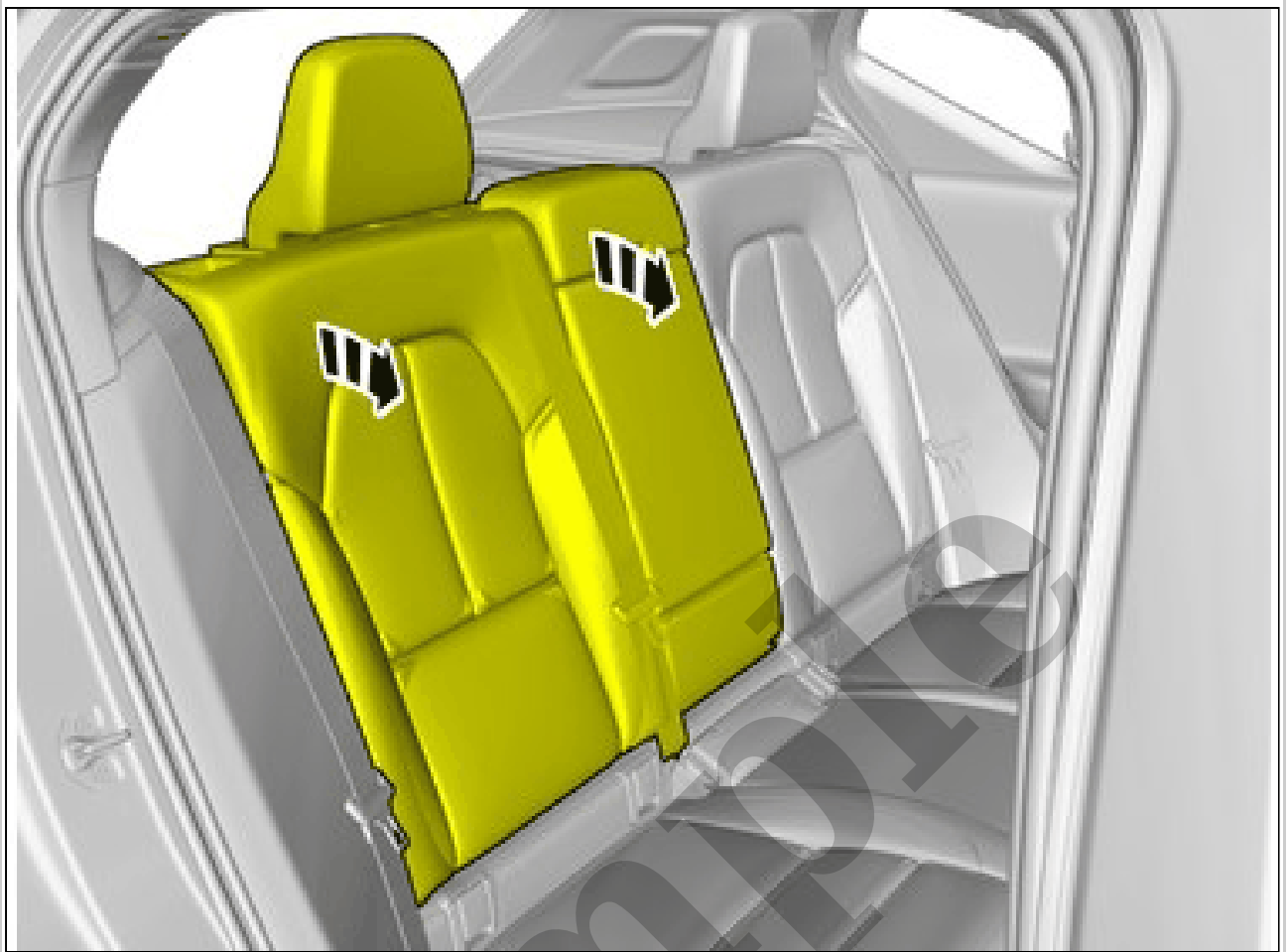


Courtesy of VOLVO CARS CORPORATION

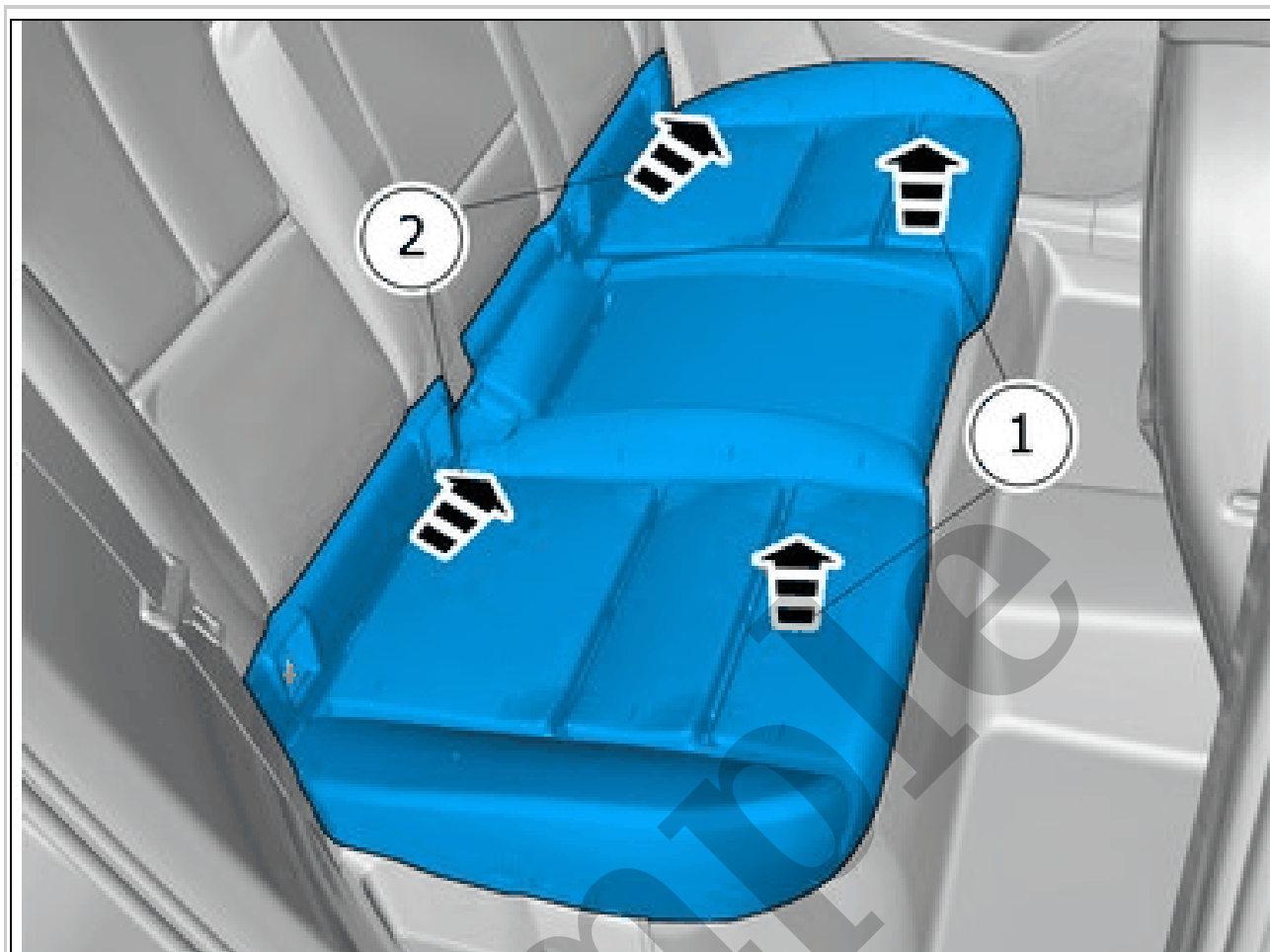
Remove the screws.



Courtesy of VOLVO CARS CORPORATION



Courtesy of VOLVO CARS CORPORATION



Courtesy of VOLVO CARS CORPORATION

Remove the marked part.
Disconnect any connector(s).