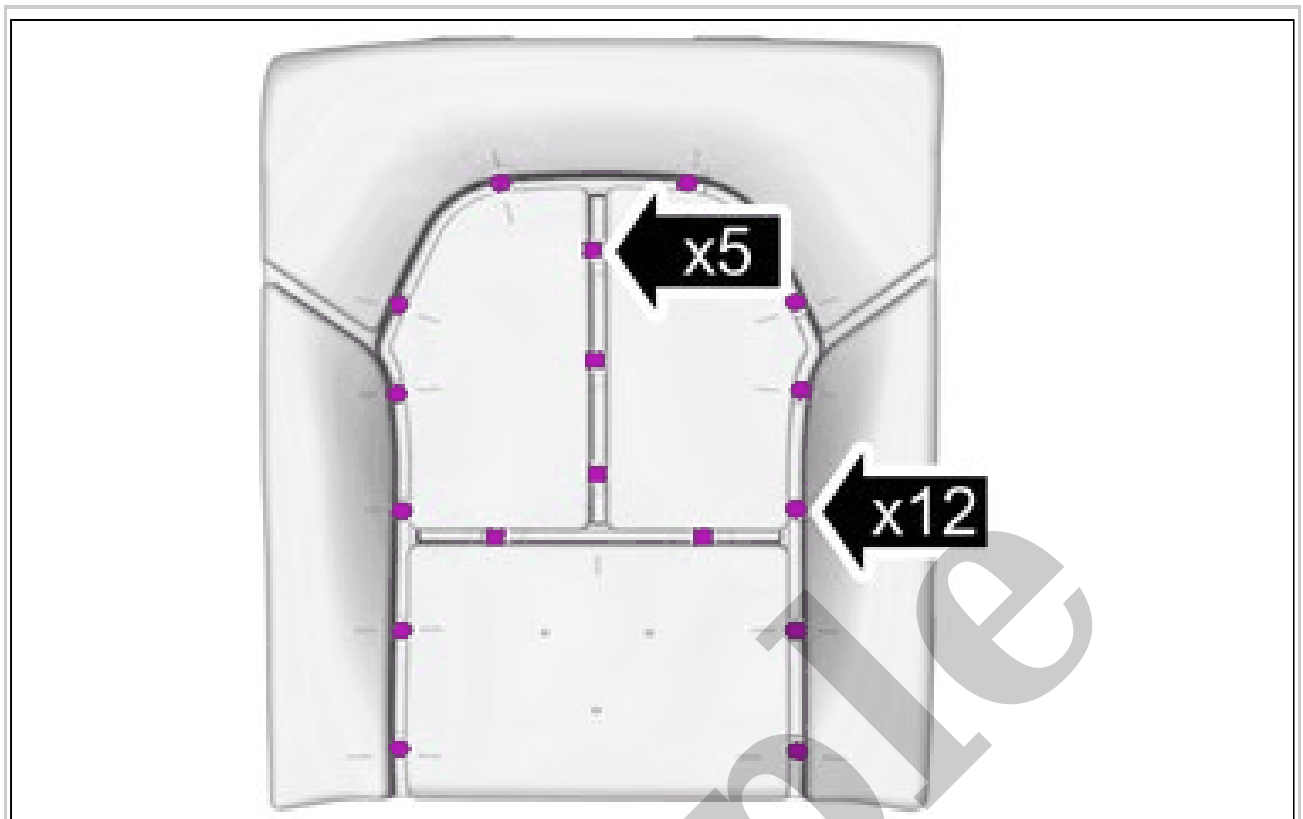


Your Ultimate Source for OEM Repair Manuals

FactoryManuals.net is a great resource for anyone who wants to save money on repairs by doing their own work. The manuals provide detailed instructions and diagrams that make it easy to understand how to fix a vehicle.

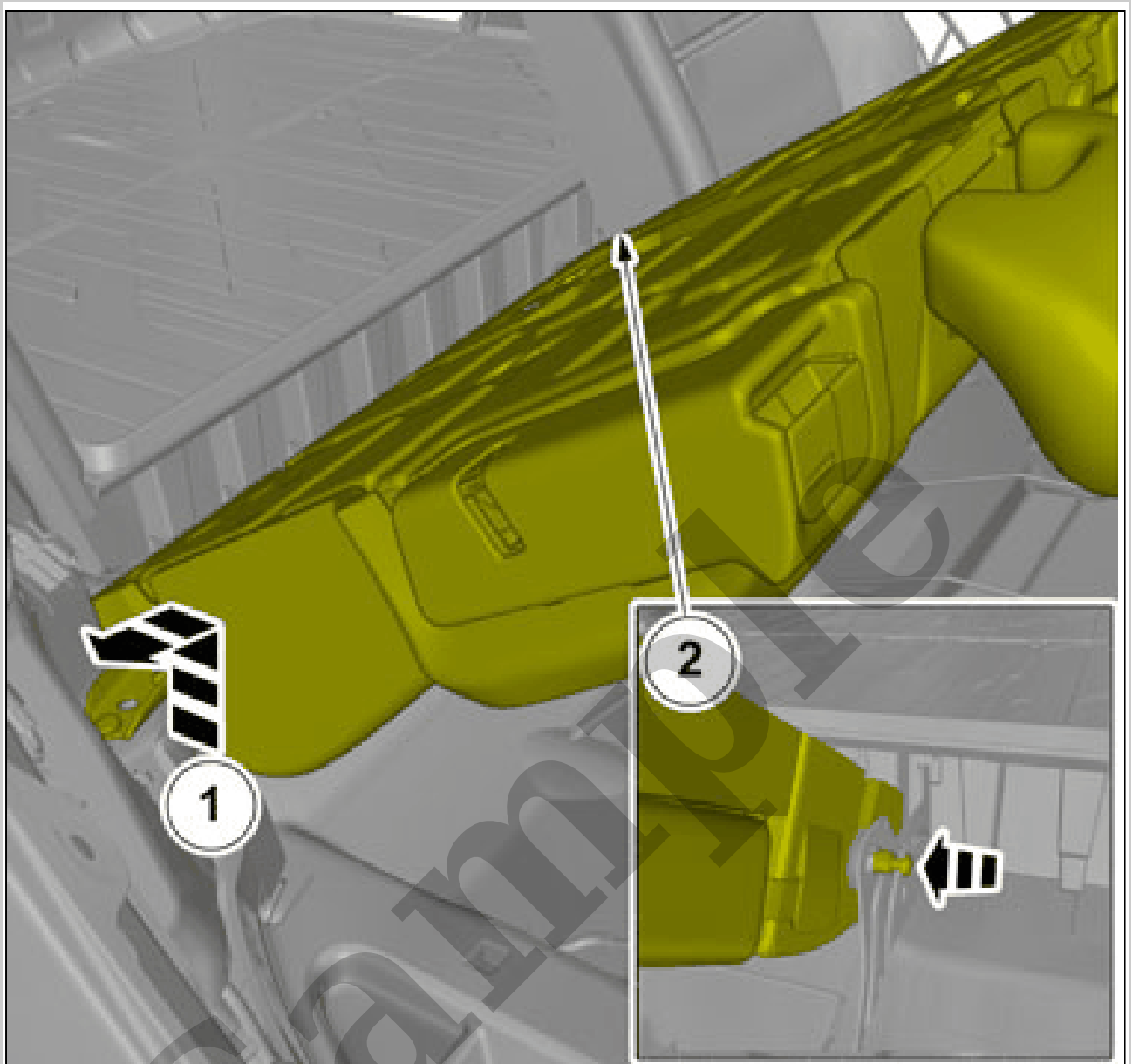
2007 VOLVO XC70 OEM Service and Repair Workshop Manual

[Go to manual page](#)



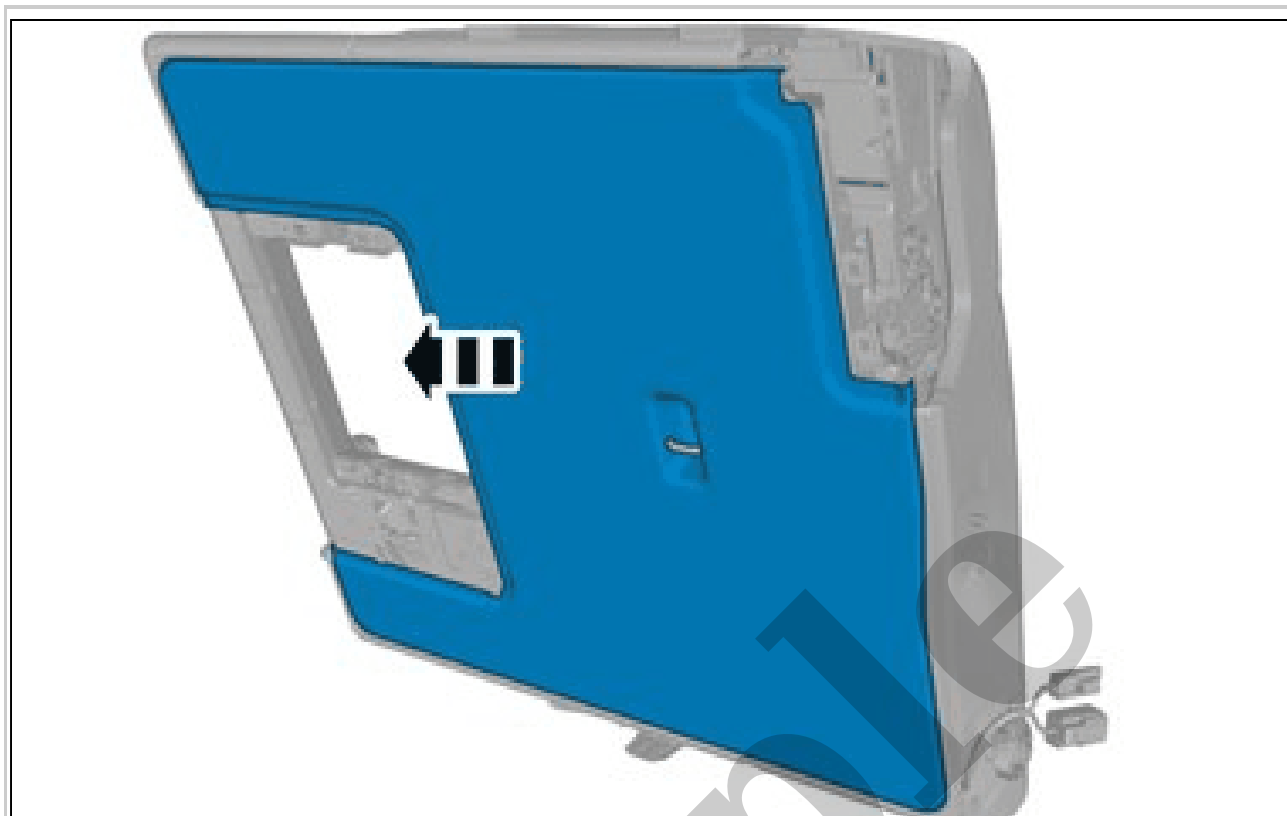
Courtesy of VOLVO CARS CORPORATION

Remove the fasteners.
Special Tool: 115 8962 CRIMP PLIERS
Release the locks.



Courtesy of VOLVO CARS CORPORATION

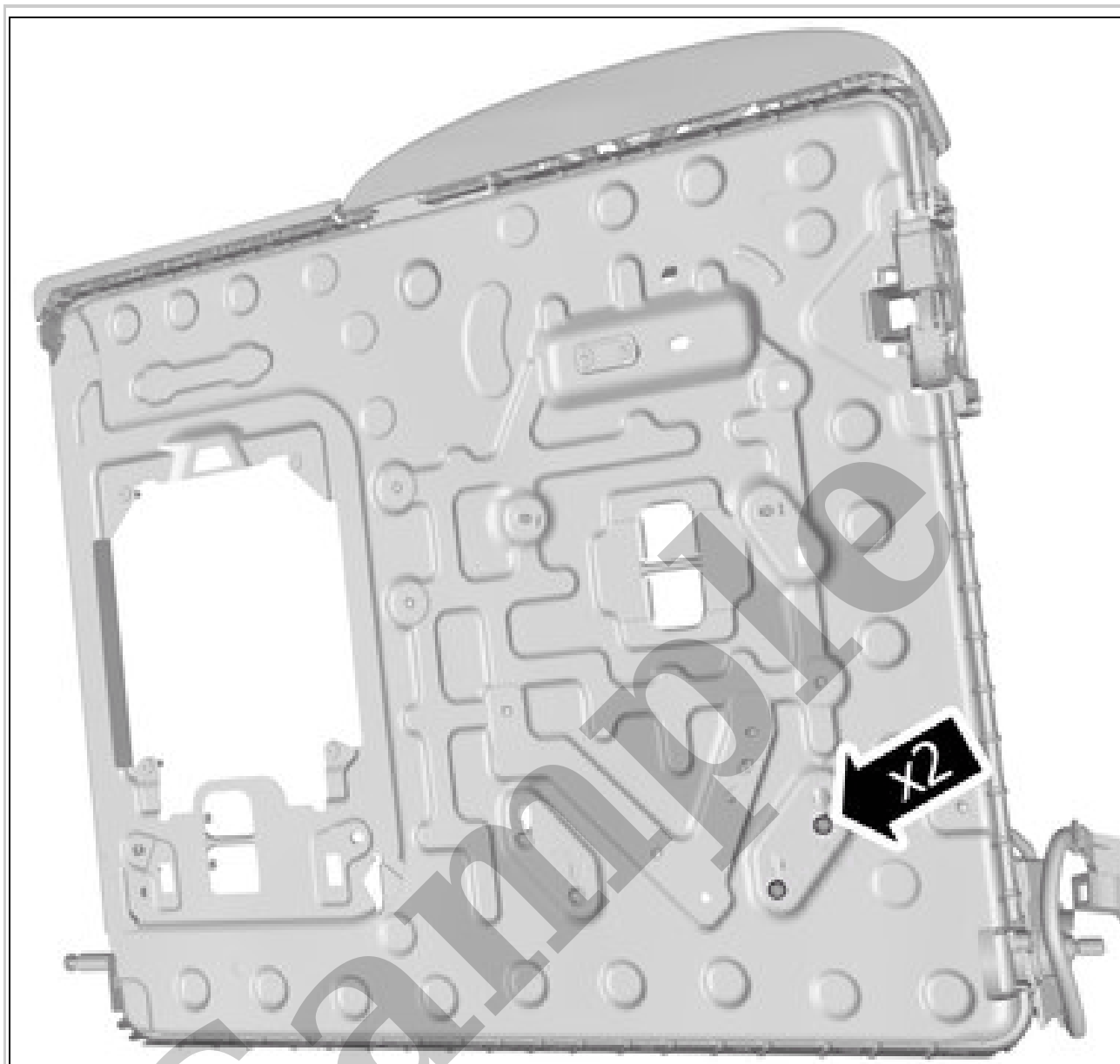
Remove the marked part.
TRANSFERRING COMPONENTS



Courtesy of VOLVO CARS CORPORATION

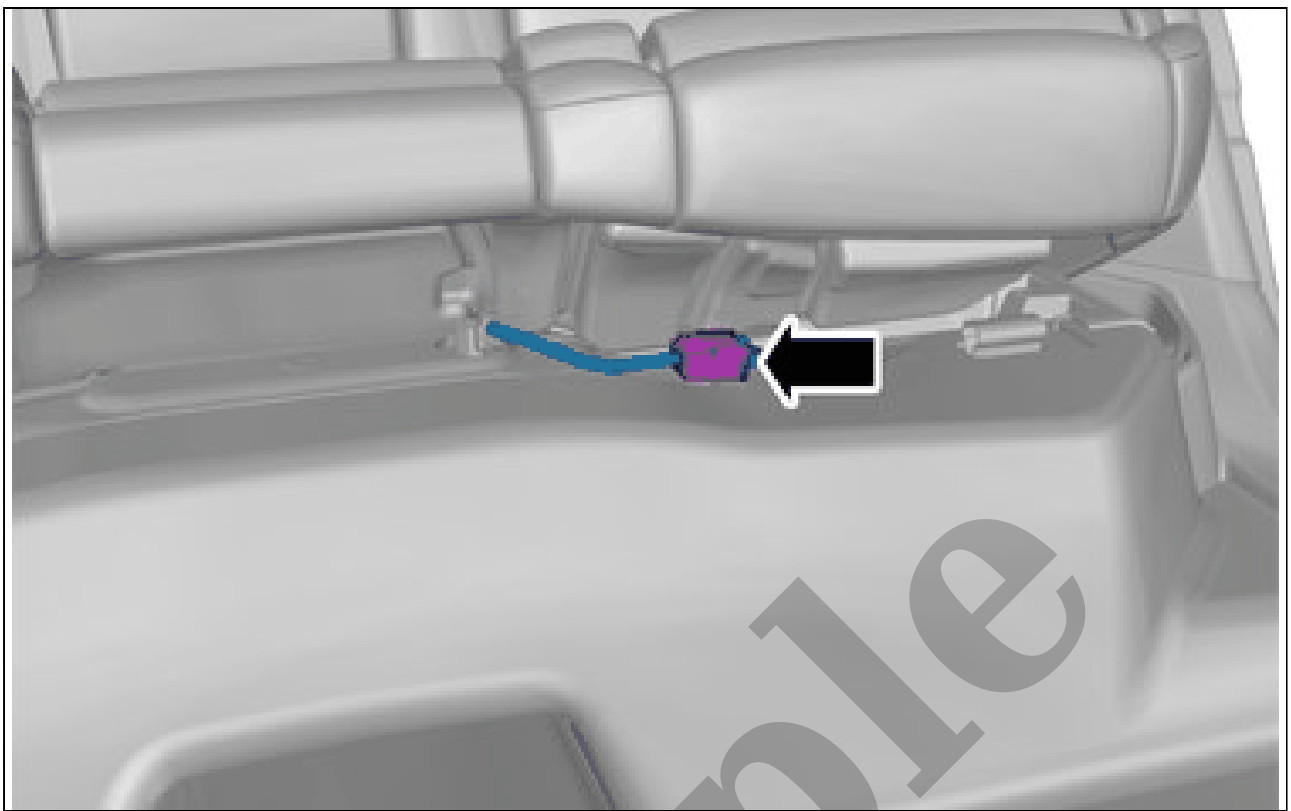
Remove the marked part.

Remove head restraint, second seat row. Refer to: HEAD RESTRAINT, SECOND SEAT ROW



Courtesy of VOLVO CARS CORPORATION

Remove the screws.



Courtesy of VOLVO CARS CORPORATION

Disconnect the connector.

**SEAT CUSHION, REAR SEAT > SEAT CUSHION, REAR SEAT [2018-2022] >
INSTALLATION**



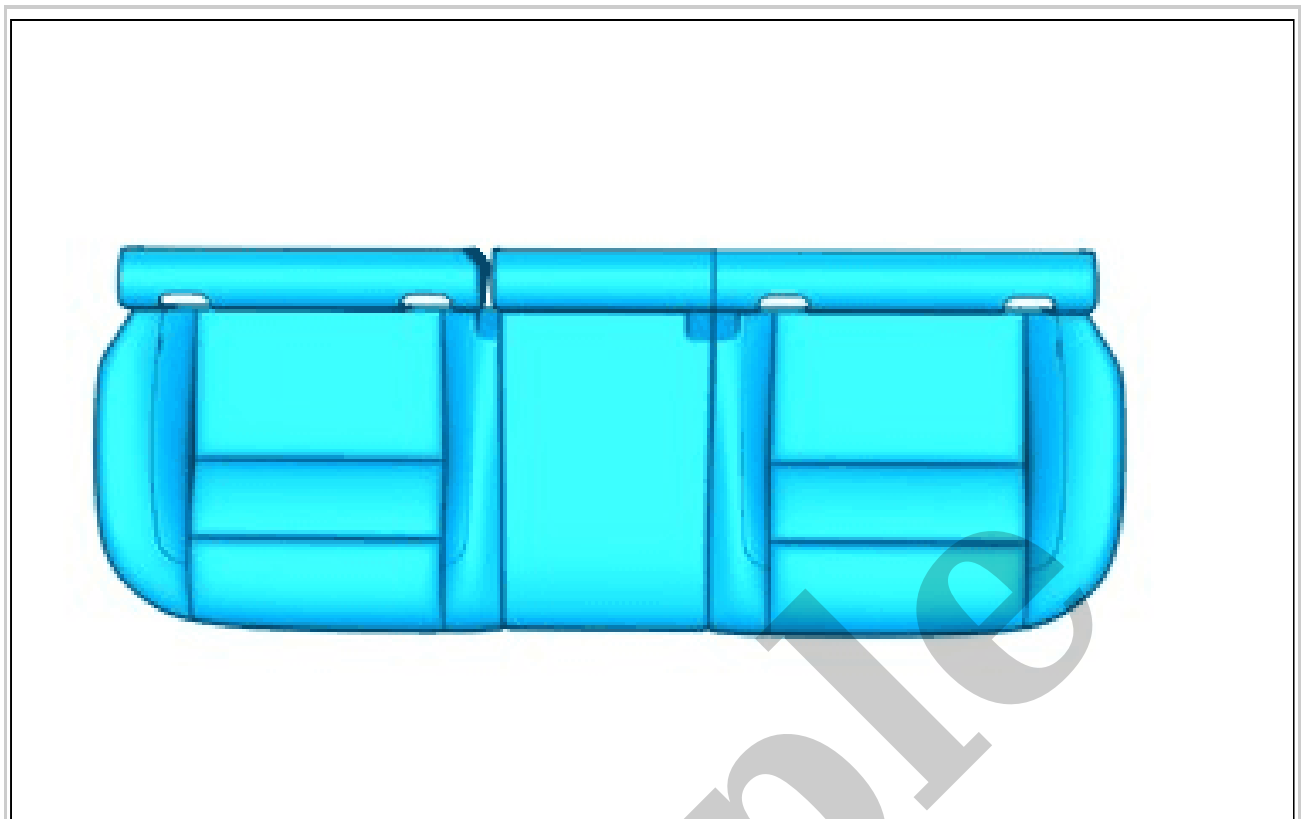
Courtesy of VOLVO CARS CORPORATION

NOTE: *The graphic shows the back of the component before removal.*



Courtesy of VOLVO CARS CORPORATION

NOTE: *The graphic shows the back of the component before removal.*



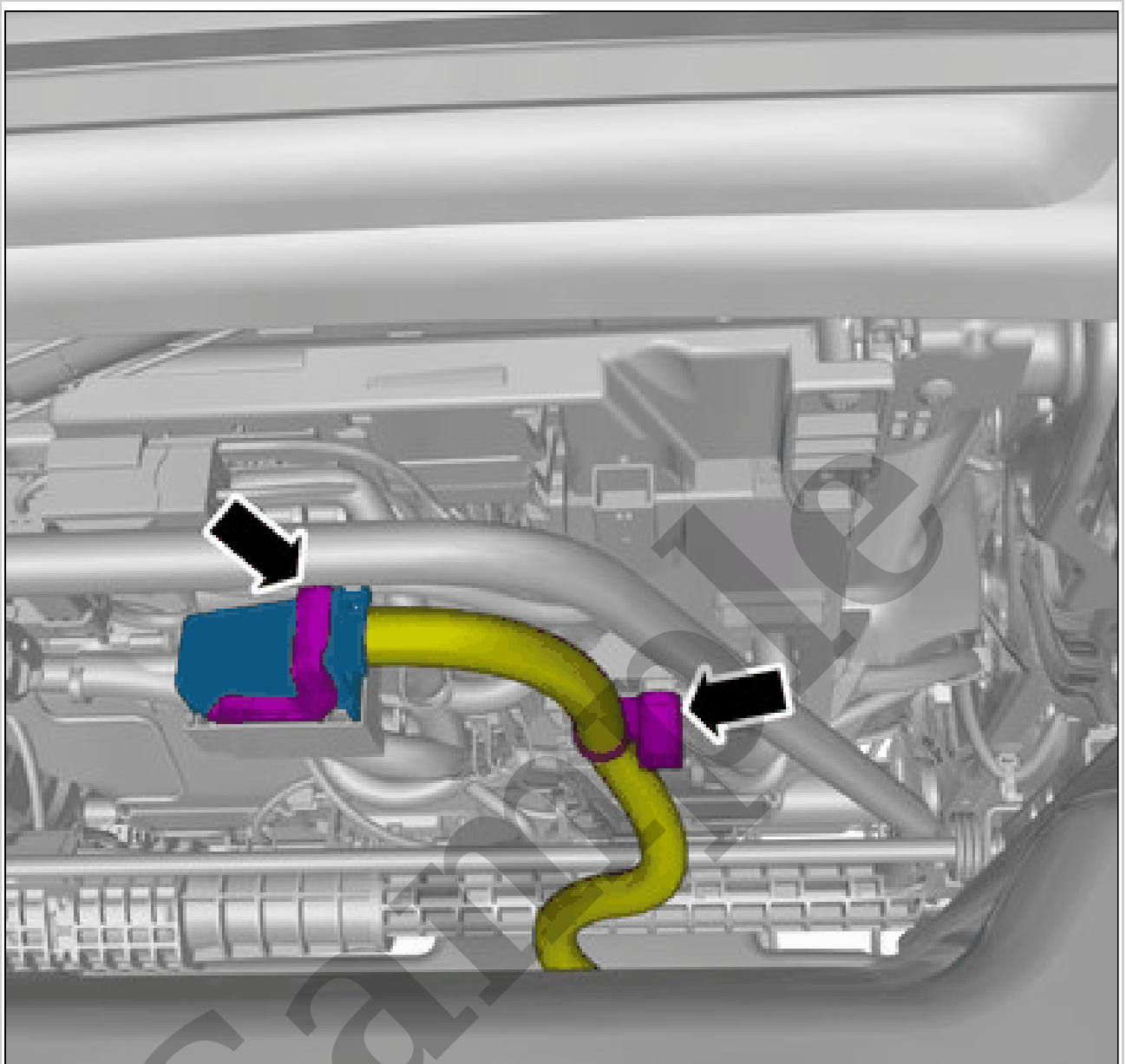
Courtesy of VOLVO CARS CORPORATION

Remove the marked part.

UPHOLSTERY SEAT CUSHION REAR > UPHOLSTERY SEAT CUSHION REAR [2018-2022] > INSTALLATION

To install, reverse the removal procedure.

FRONT FLOOR CARPET > FRONT FLOOR CARPET [2018-2022] > REMOVAL > VALID FOR RELEVANT SIDE



Courtesy of VOLVO CARS CORPORATION

Disconnect the connector.
Loosen the fastener.