

Your Ultimate Source for OEM Repair Manuals

FactoryManuals.net is a great resource for anyone who wants to save money on repairs by doing their own work. The manuals provide detailed instructions and diagrams that make it easy to understand how to fix a vehicle.

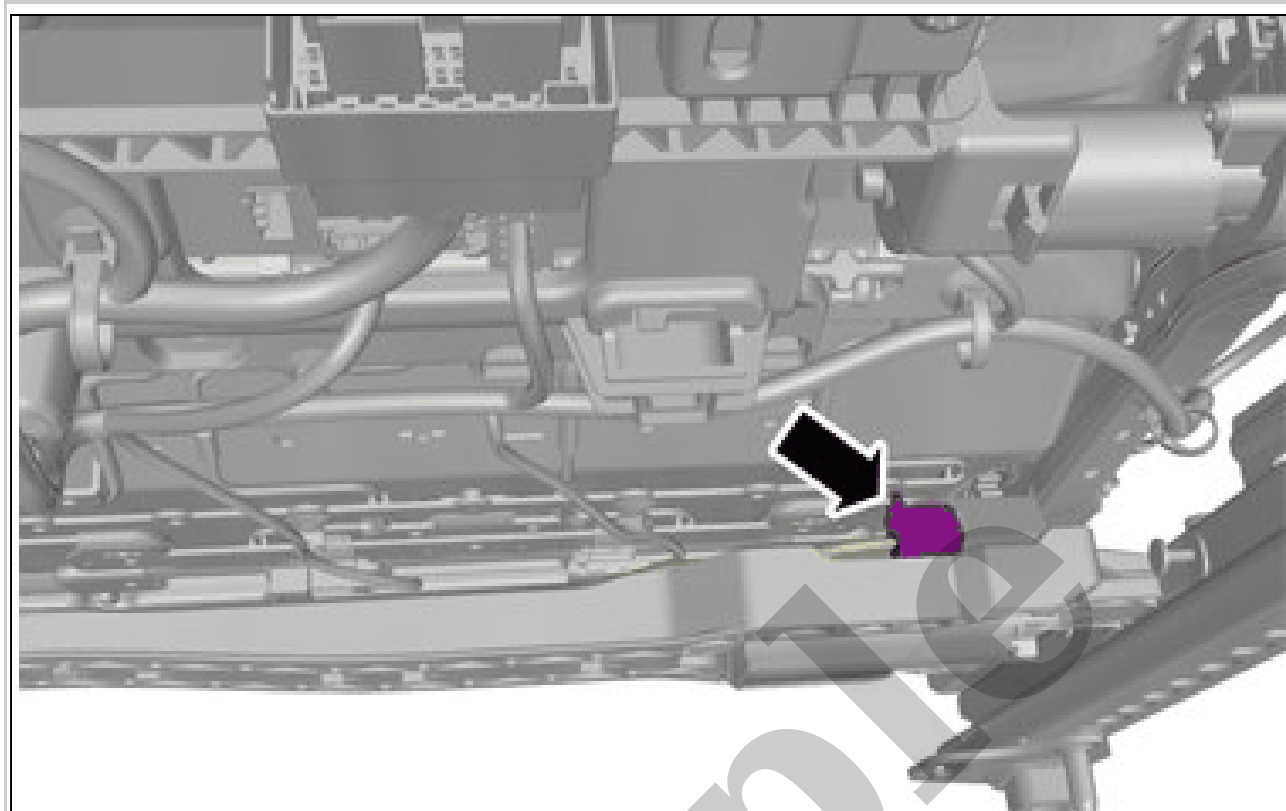
2007 VOLVO S80 OEM Service and Repair Workshop Manual

[Go to manual page](#)



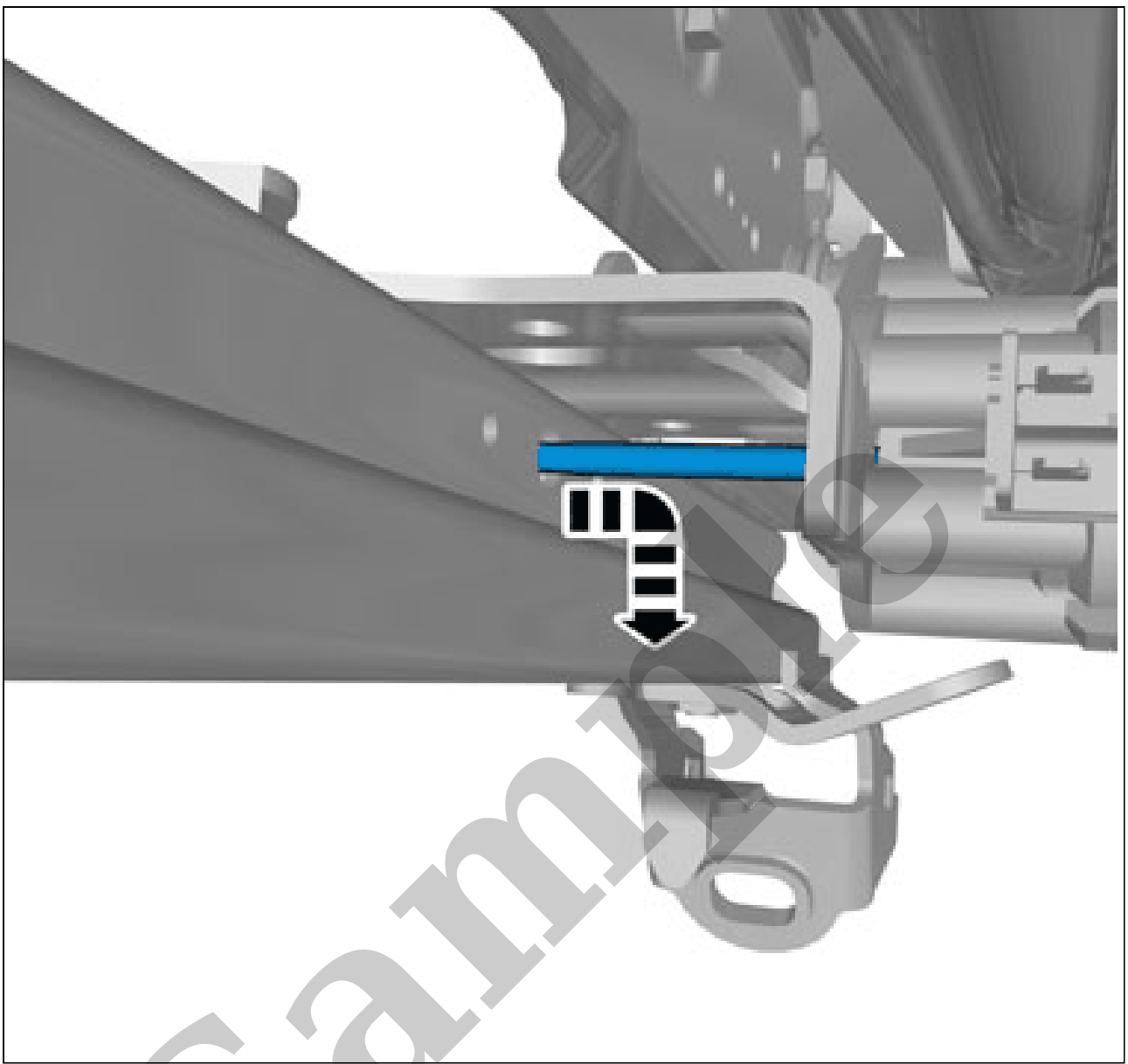
Courtesy of VOLVO CARS CORPORATION

Remove side panel front seat. Refer to: SIDE PANEL FRONT SEAT

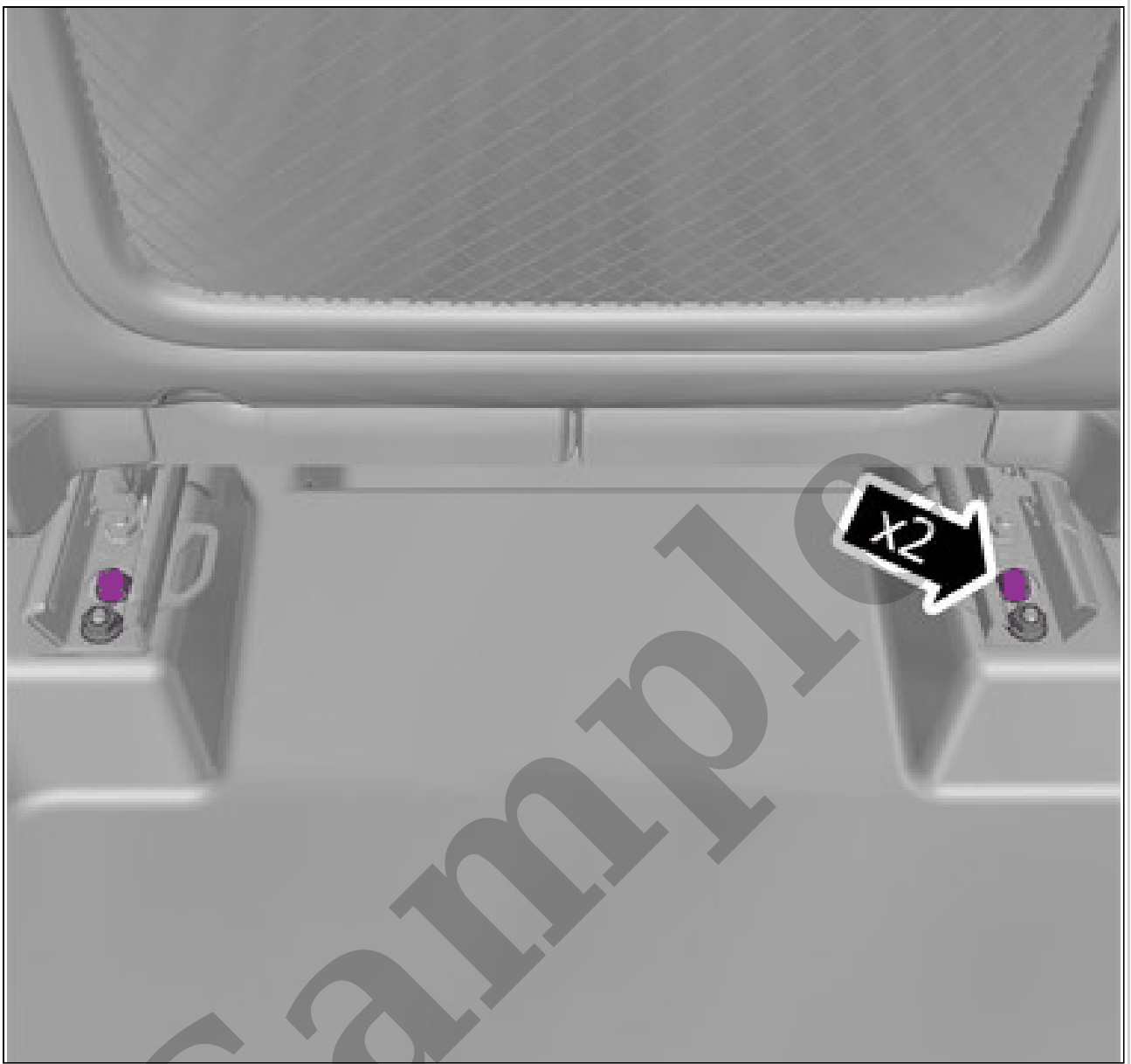


Courtesy of VOLVO CARS CORPORATION

Disconnect the connector.



Courtesy of VOLVO CARS CORPORATION

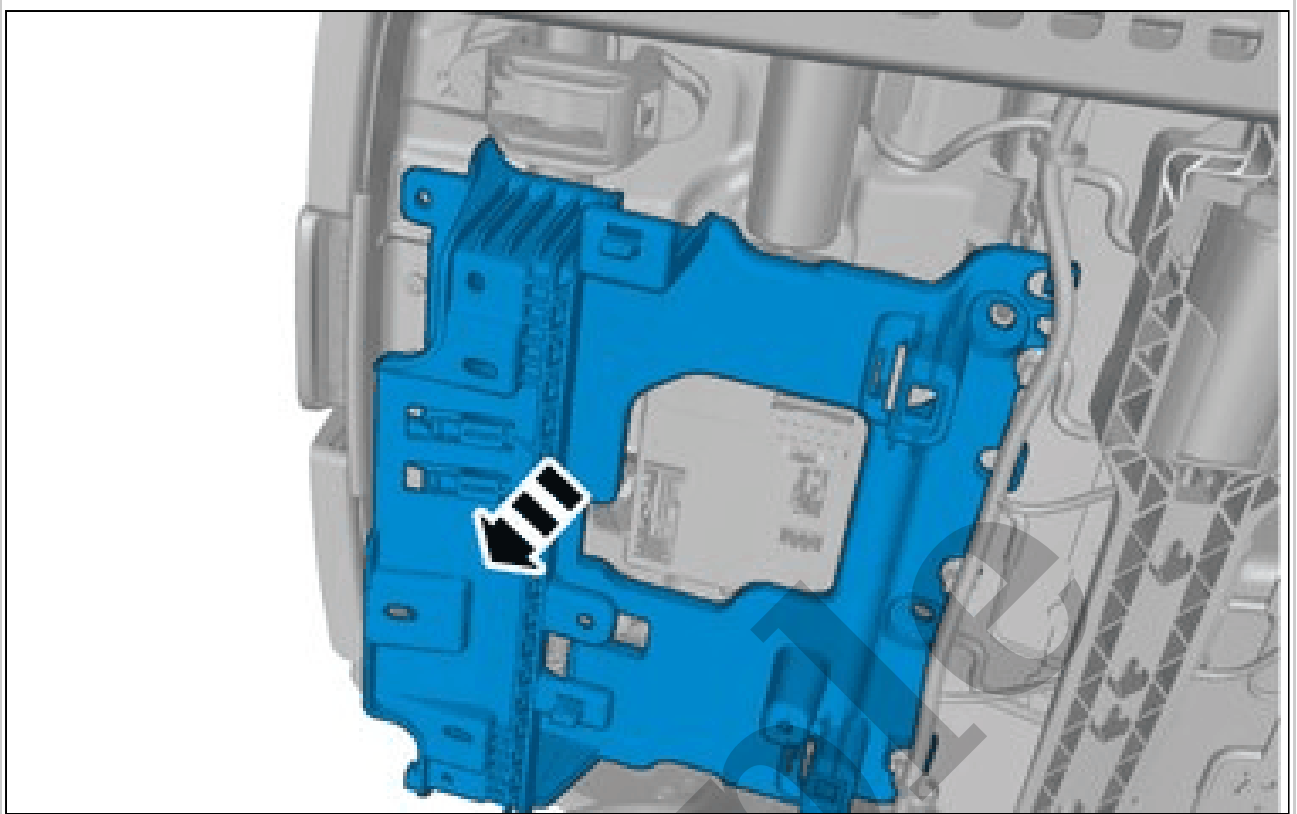


Courtesy of VOLVO CARS CORPORATION

Torque: Front seat to body, 40Nm

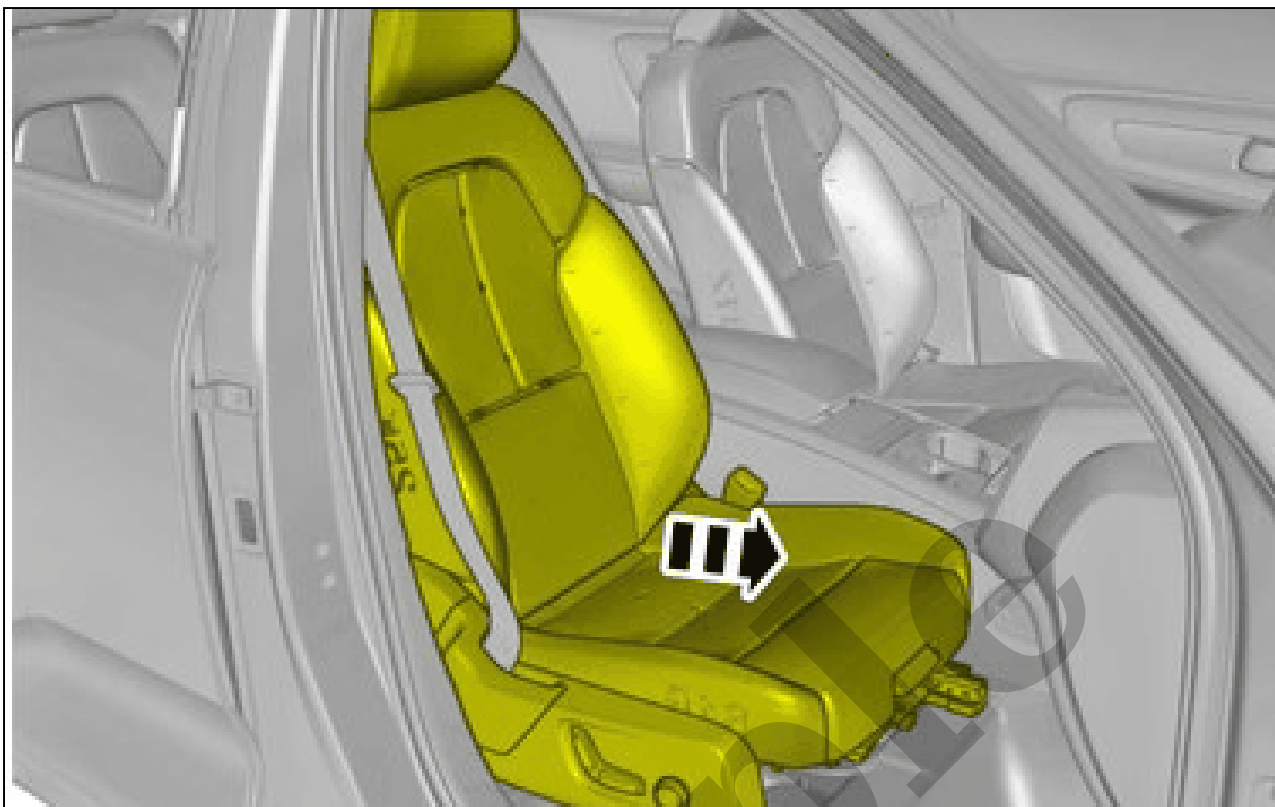
Loosen the screws.

Set the vehicle to Inactive mode, described in user mode. Refer to: USAGE MODE



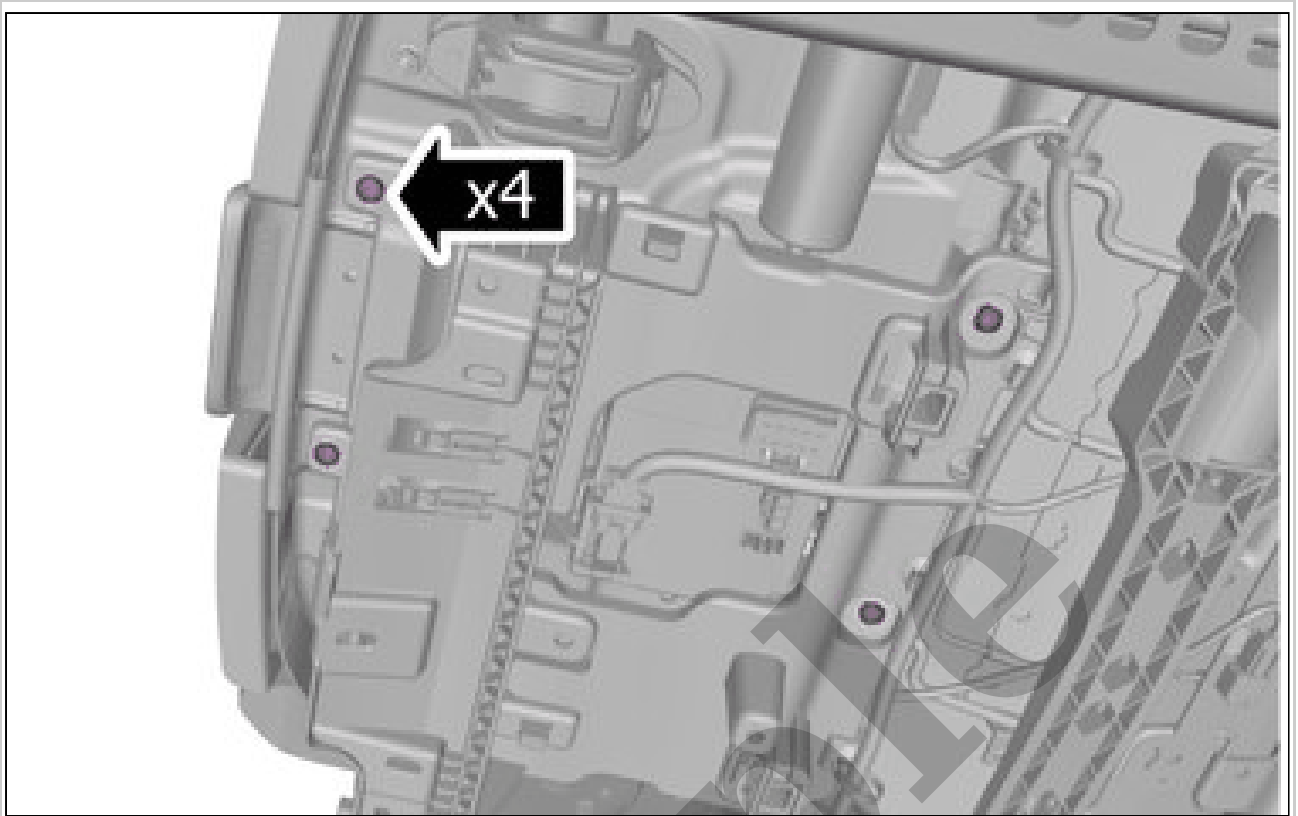
Courtesy of VOLVO CARS CORPORATION

Remove the marked part.



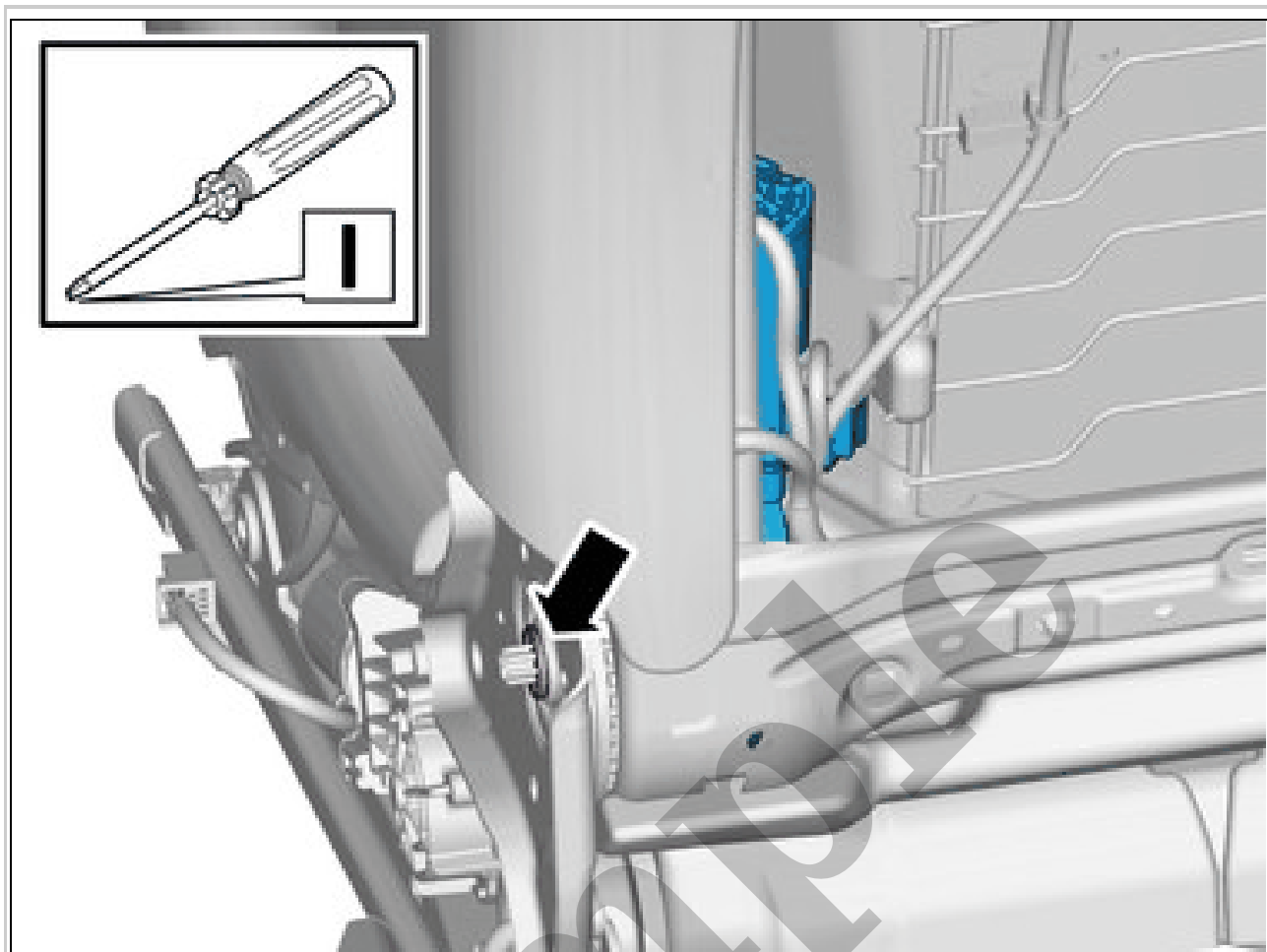
Courtesy of VOLVO CARS CORPORATION

Sample



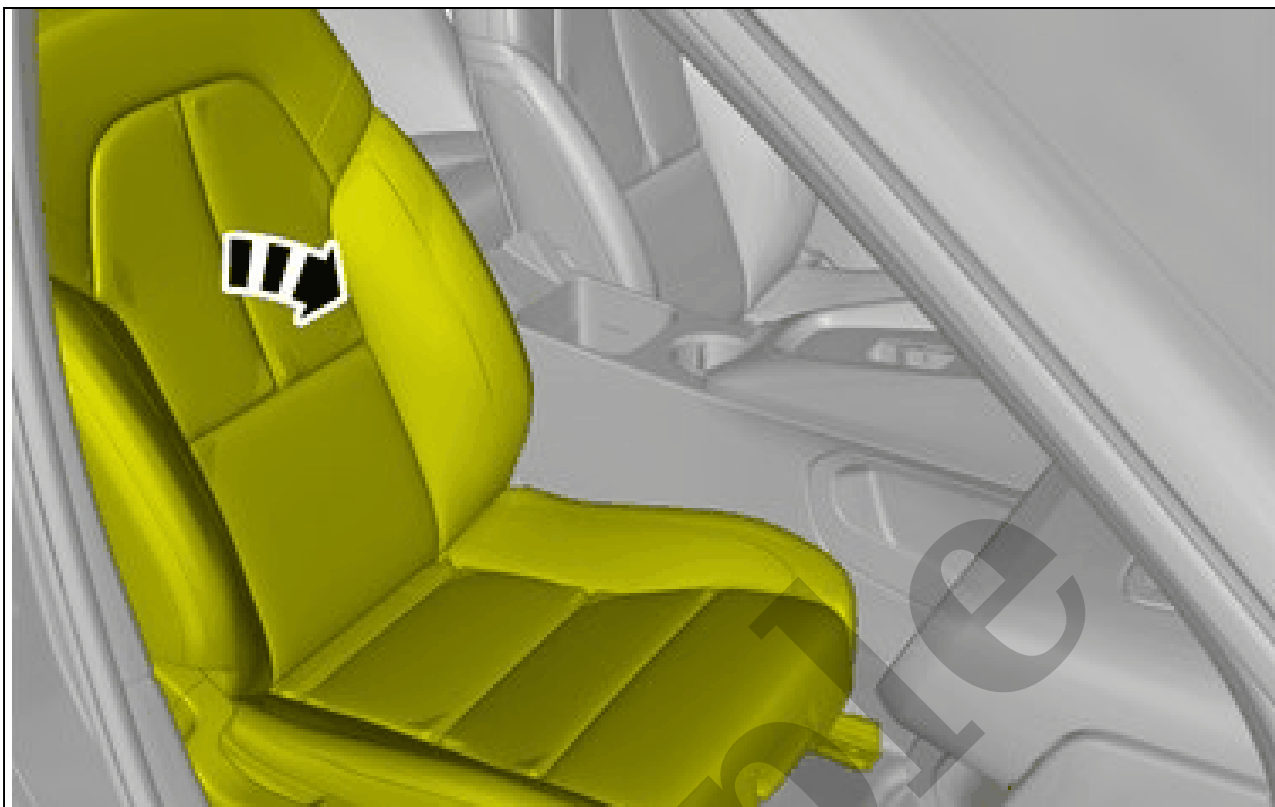
Courtesy of VOLVO CARS CORPORATION

Remove the screws.

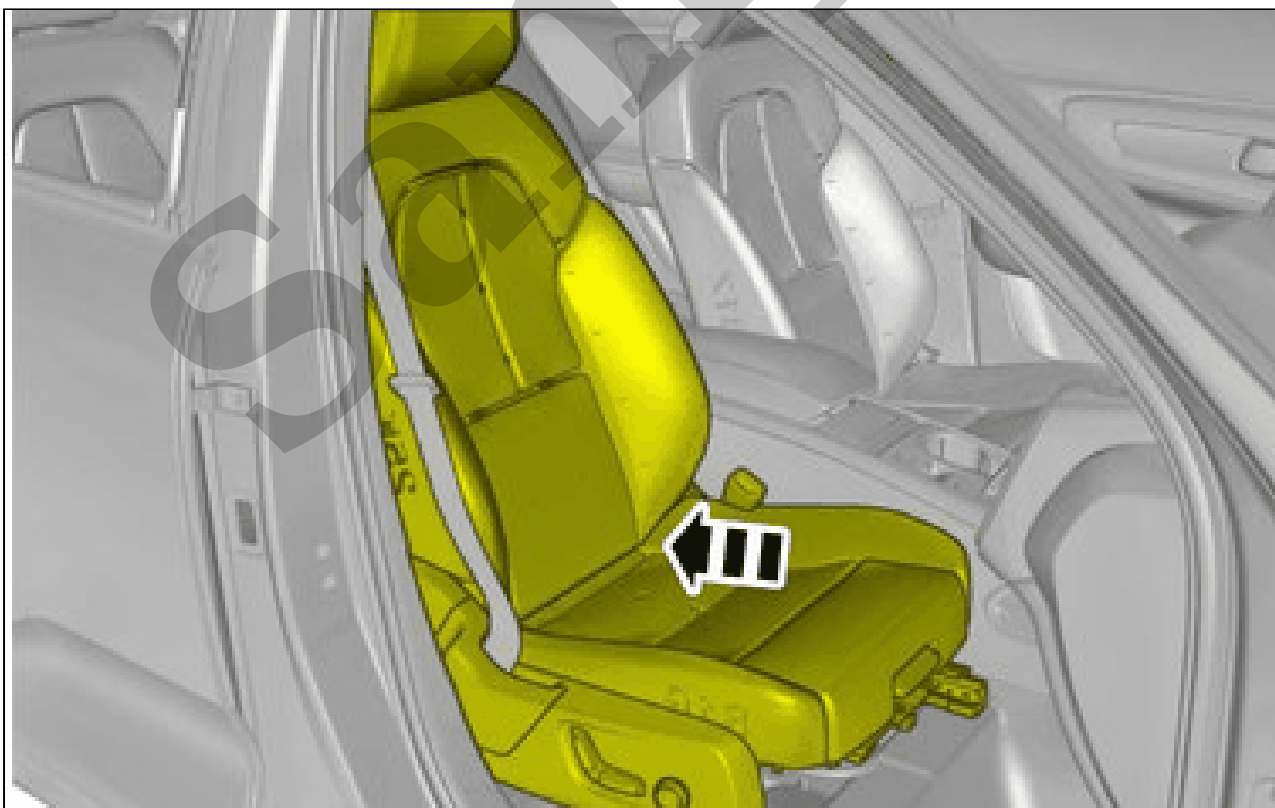


Courtesy of VOLVO CARS CORPORATION

Remove the fastener.



Courtesy of VOLVO CARS CORPORATION



Courtesy of VOLVO CARS CORPORATION