

Your Ultimate Source for OEM Repair Manuals

FactoryManuals.net is a great resource for anyone who wants to save money on repairs by doing their own work. The manuals provide detailed instructions and diagrams that make it easy to understand how to fix a vehicle.

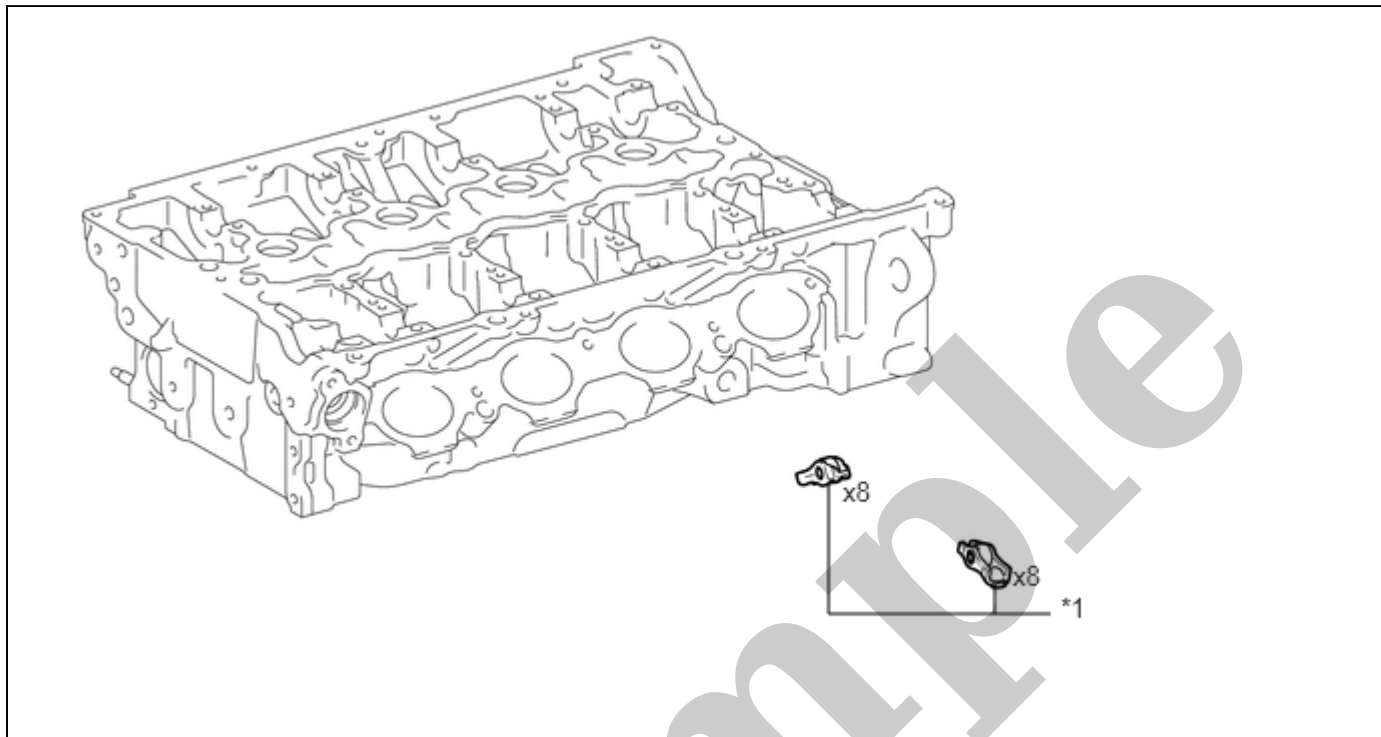
2007 TOYOTA FJ Cruiser OEM Service and Repair Workshop Manual

[Go to manual page](#)

Last Modified: 07-26-2024	6.11:8.1.0	Doc ID: RM100000001R520
Model Year Start: 2021	Model: Supra	Prod Date Range: [07/2020 -]
Title: B46 (ENGINE MECHANICAL): ROCKER ARM: COMPONENTS; 2021 - 2025 MY Supra [07/2020 -]		

COMPONENTS

ILLUSTRATION



*1	NO. 1 VALVE ROCKER ARM SUB-ASSEMBLY	-	-
----	-------------------------------------	---	---



Last Modified: 07-26-2024	6.11:8.1.0	Doc ID: RM100000001R522
Model Year Start: 2021	Model: Supra	Prod Date Range: [07/2020 -]
Title: B46 (ENGINE MECHANICAL): ROCKER ARM: INSTALLATION; 2021 - 2025 MY Supra [07/2020 -]		

INSTALLATION

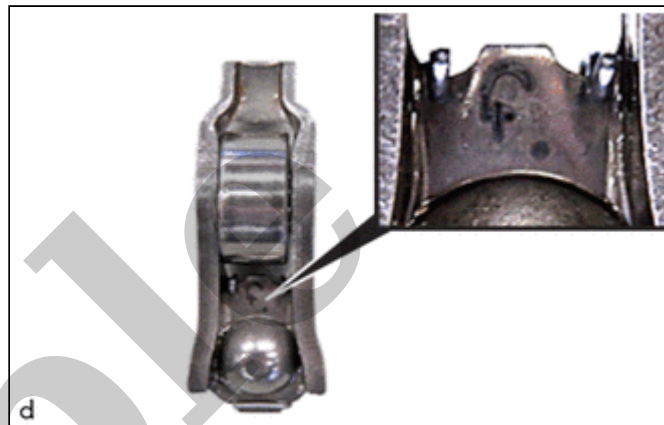
PROCEDURE

1. INSTALL NO.1 VALVE ROCKER ARM SUB-ASSEMBLY

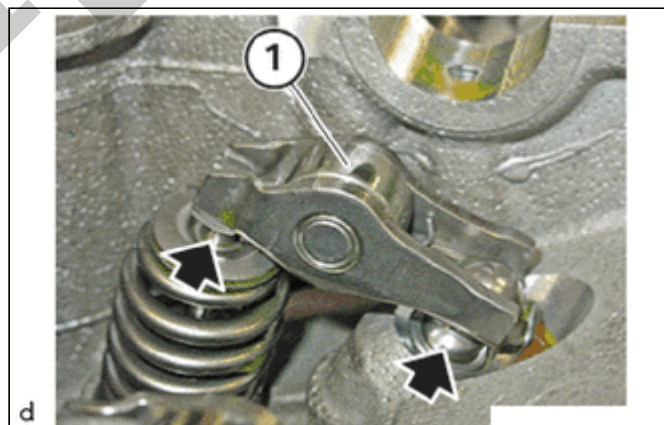
(a) Observe the classification of the No. 1 valve rocker arm sub-assembly.

(1) The classification from 1 to 5 is printed on the respective roller cam follower.

CLASSIFICATION	IDLE SPEED
1	Repair case - slow engine speed when idling
2	Installed as standard/initial installation
3	Installed as standard/initial installation
4	Installed as standard/initial installation
5	Repair case - high engine speed when idling



(b) Install the No. 1 valve rocker arm sub-assembly (1) on the intake side.

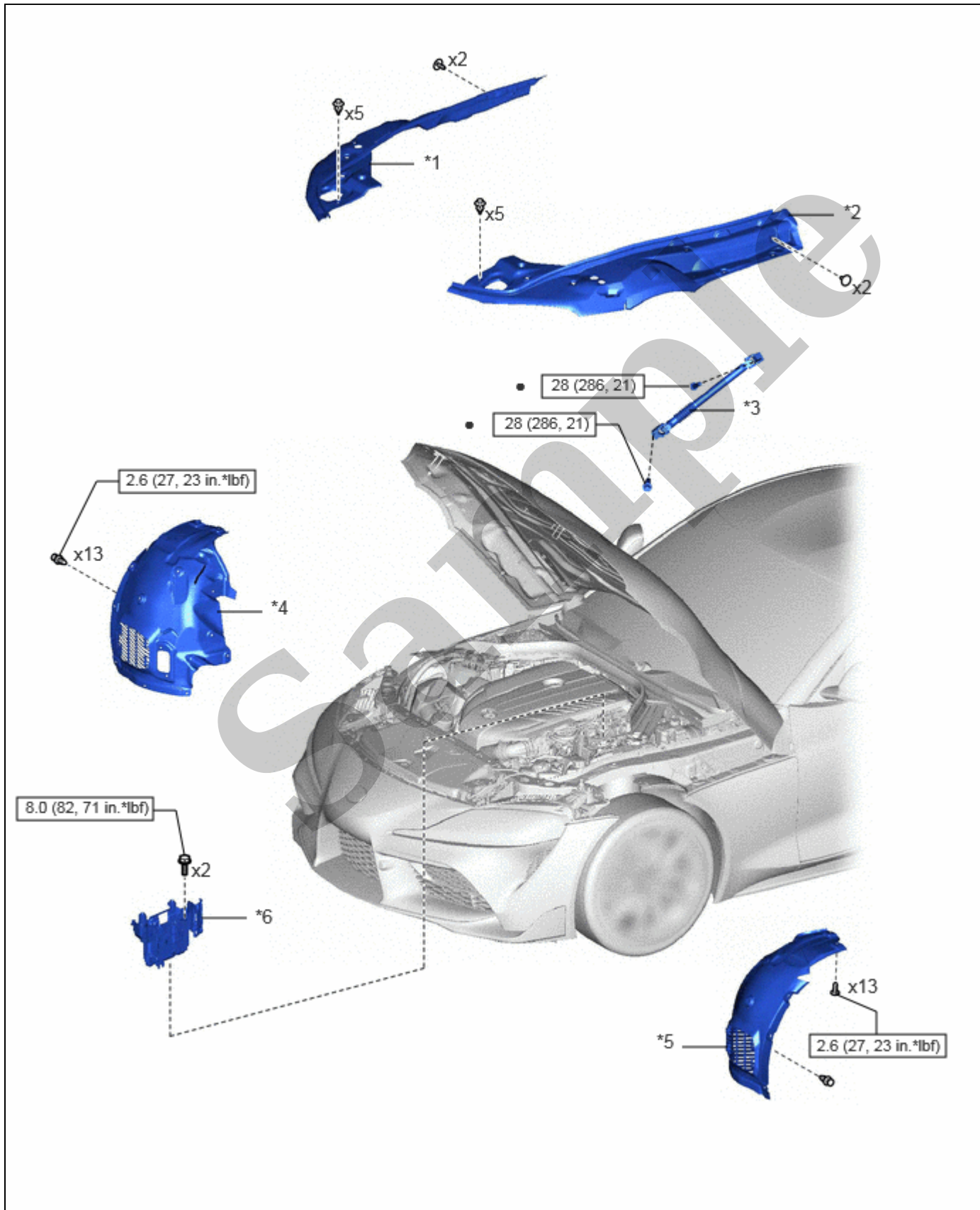


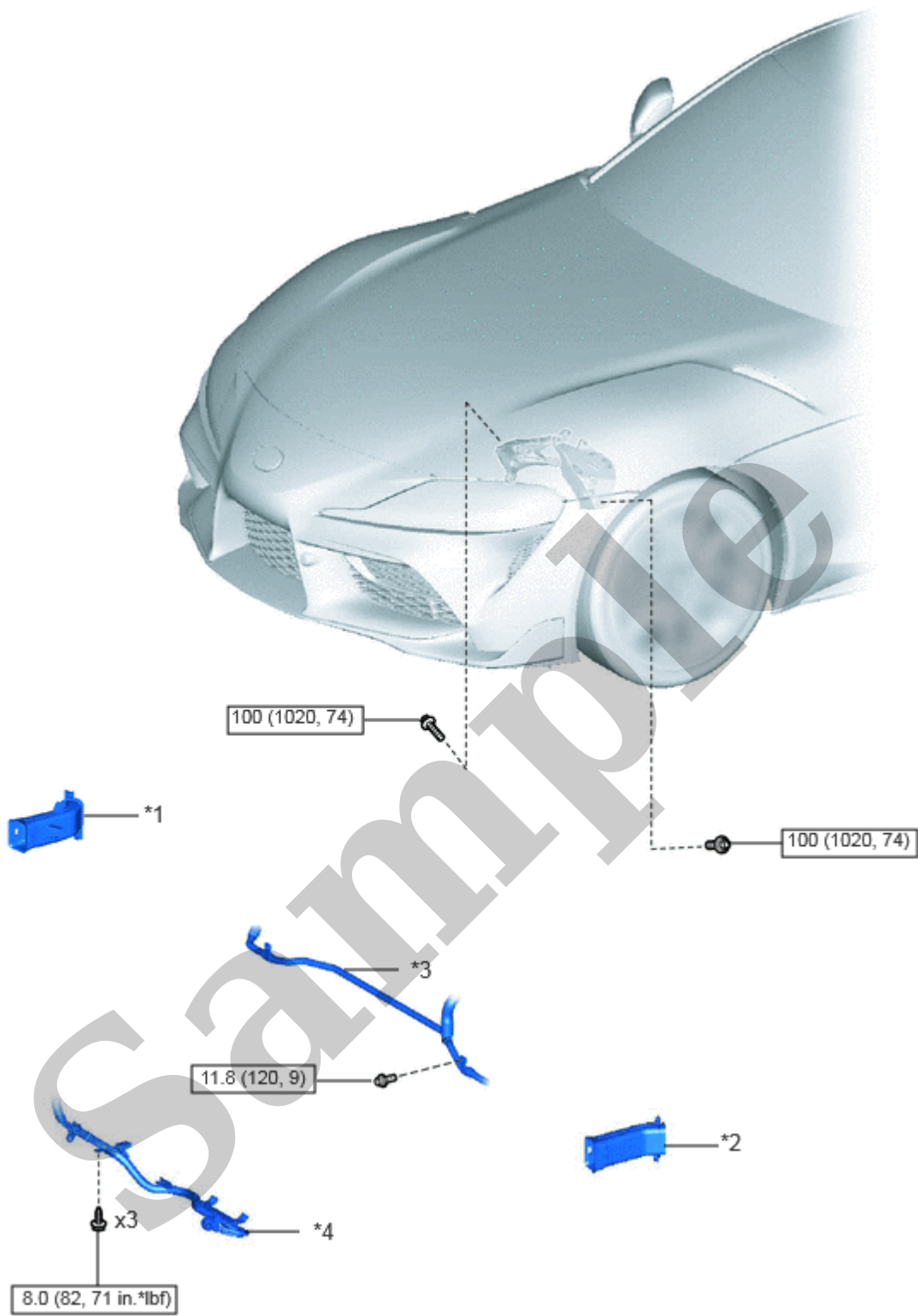
(c) Make sure the No. 1 valve rocker arm sub-assemblies are correctly positioned on the valve lash adjuster assemblies (arrows) and on the intake valves.

(d) Install the No. 1 valve rocker arm sub-assembly (1) on the exhaust side.

COMPONENTS

ILLUSTRATION





*1	AIR INTAKE DUCT RH	*2	AIR INTAKE DUCT LH
*3	COOLANT HOSE	*4	FLOOR WIRE
<input type="checkbox"/>	N*m (kgf*cm, ft.*lbf): Specified torque	-	-

ILLUSTRATION