

# Your Ultimate Source for OEM Repair Manuals

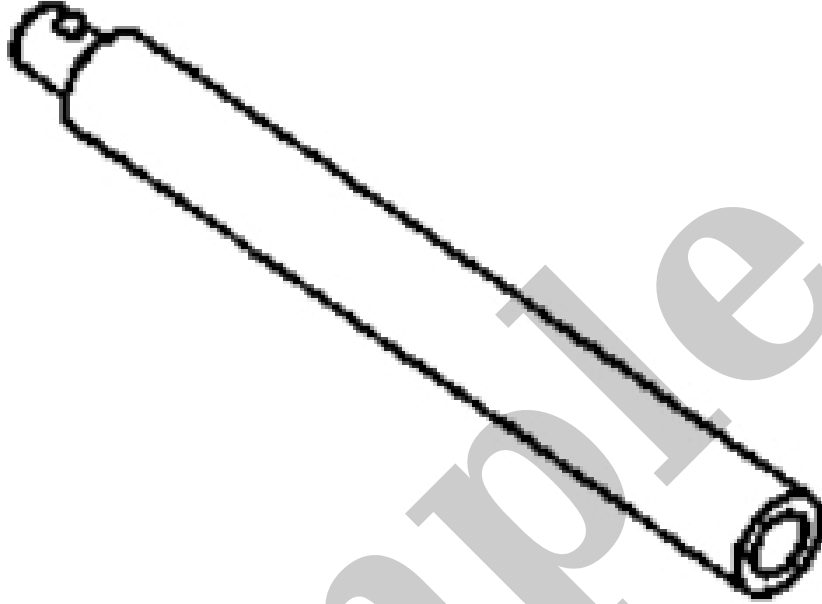
FactoryManuals.net is a great resource for anyone who wants to save money on repairs by doing their own work. The manuals provide detailed instructions and diagrams that make it easy to understand how to fix a vehicle.

## 2007 JEEP Wrangler Rubicon OEM Service and Repair Workshop Manual

[Go to manual page](#)

, Drive Handle Extension

Extension, Drive Handle

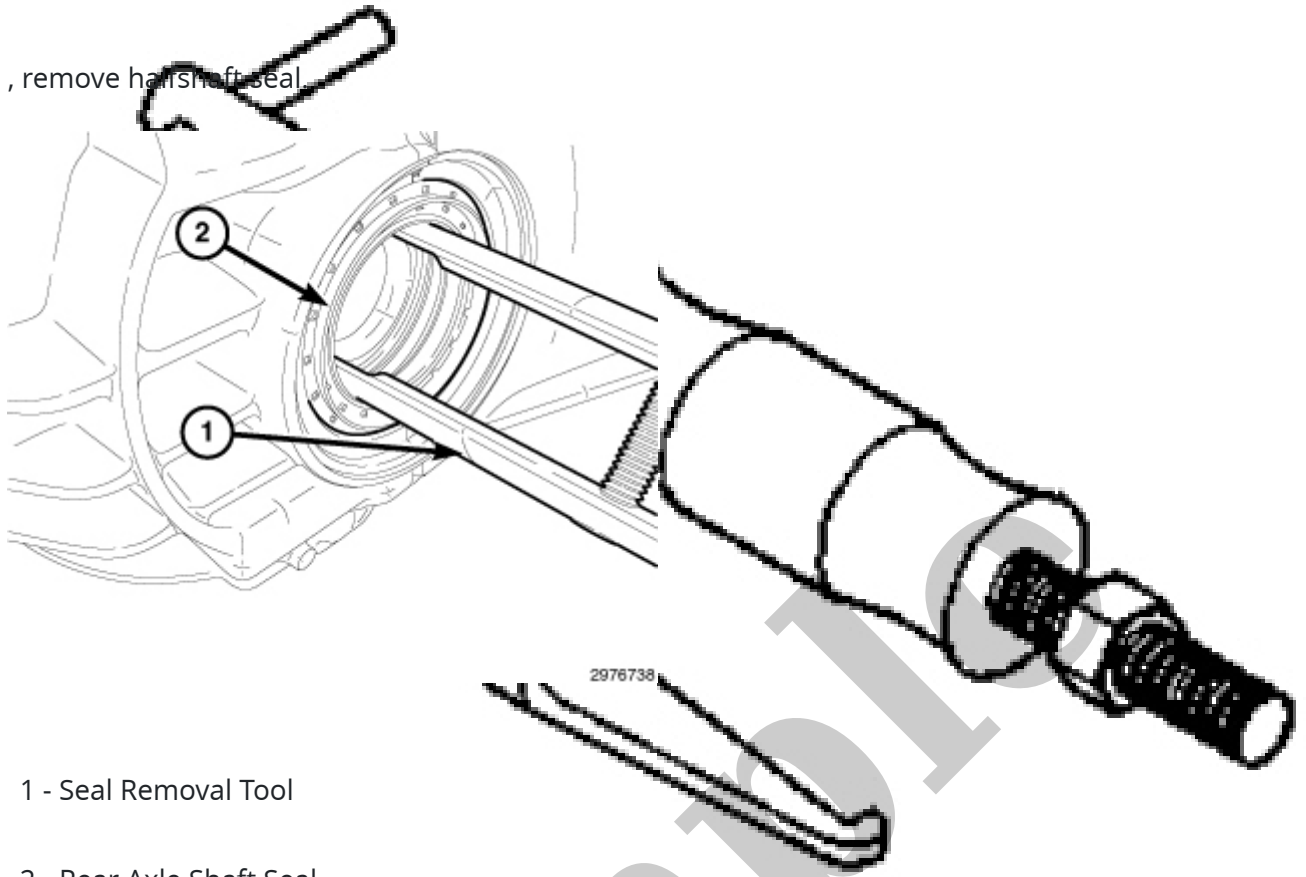


and Installer

Installer, Seal

Sample

, remove handhaft seal

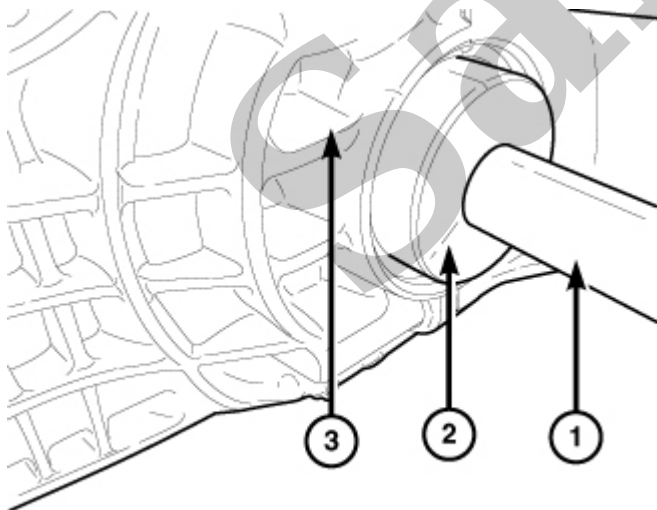


1 - Seal Removal Tool

2 - Rear Axle Shaft Seal

### INSTALLATION

Follow the removal procedure in reverse for general reassembly of the components on the vehicle. The steps listed below are calling out specific procedures that should be followed during installation.

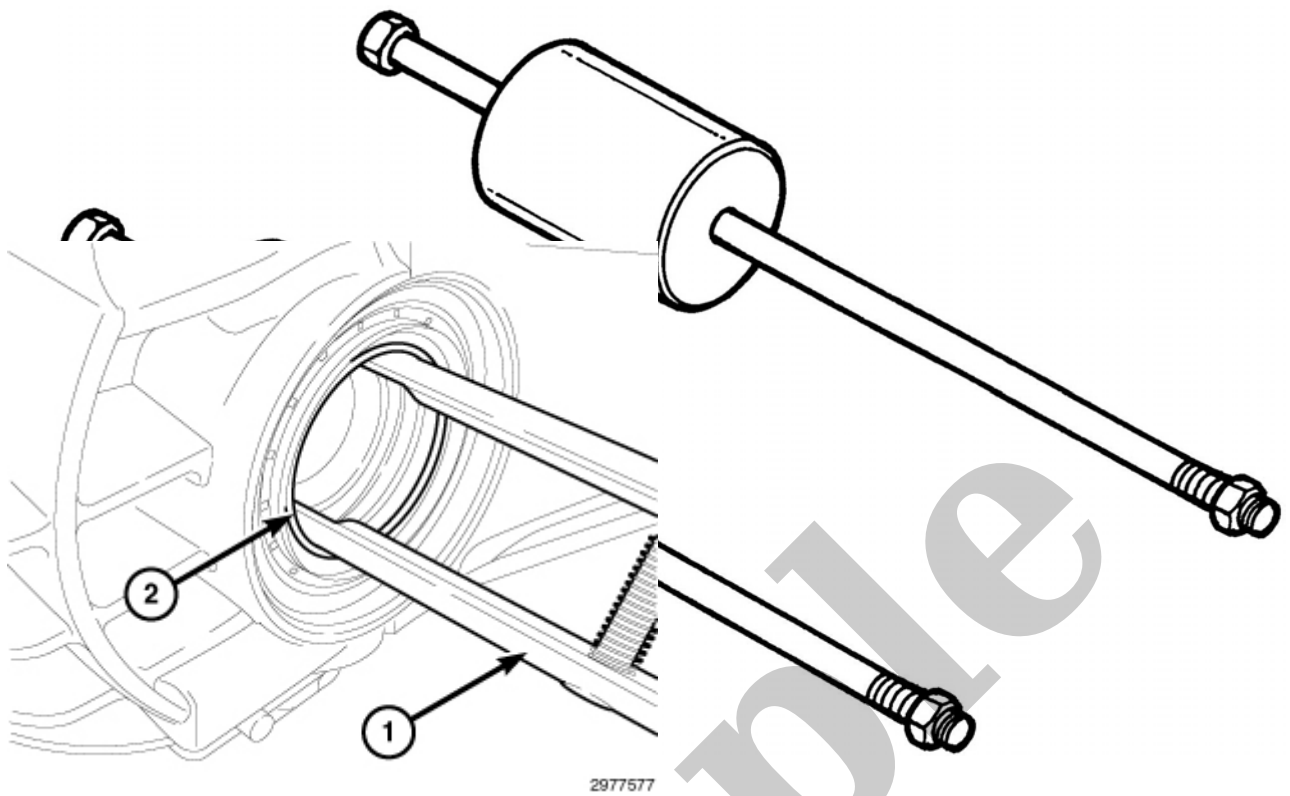


2976796

1 - Seal Installer Tool

2 - Driver Handle

Sample

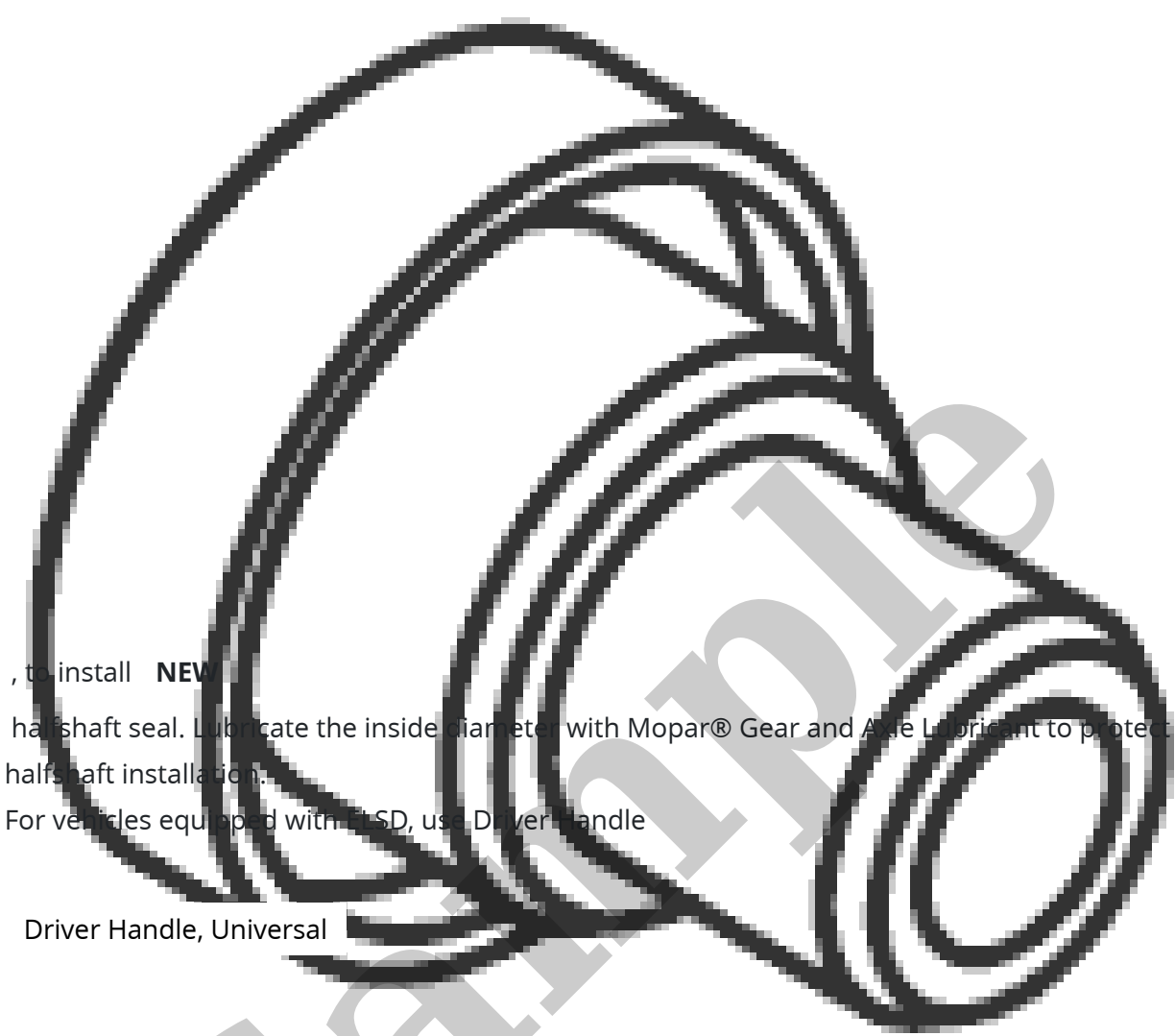


1 - Seal Removal Tool

2 - Rear Axle Shaft Seal

4. Using seal remover

Remover, Seal



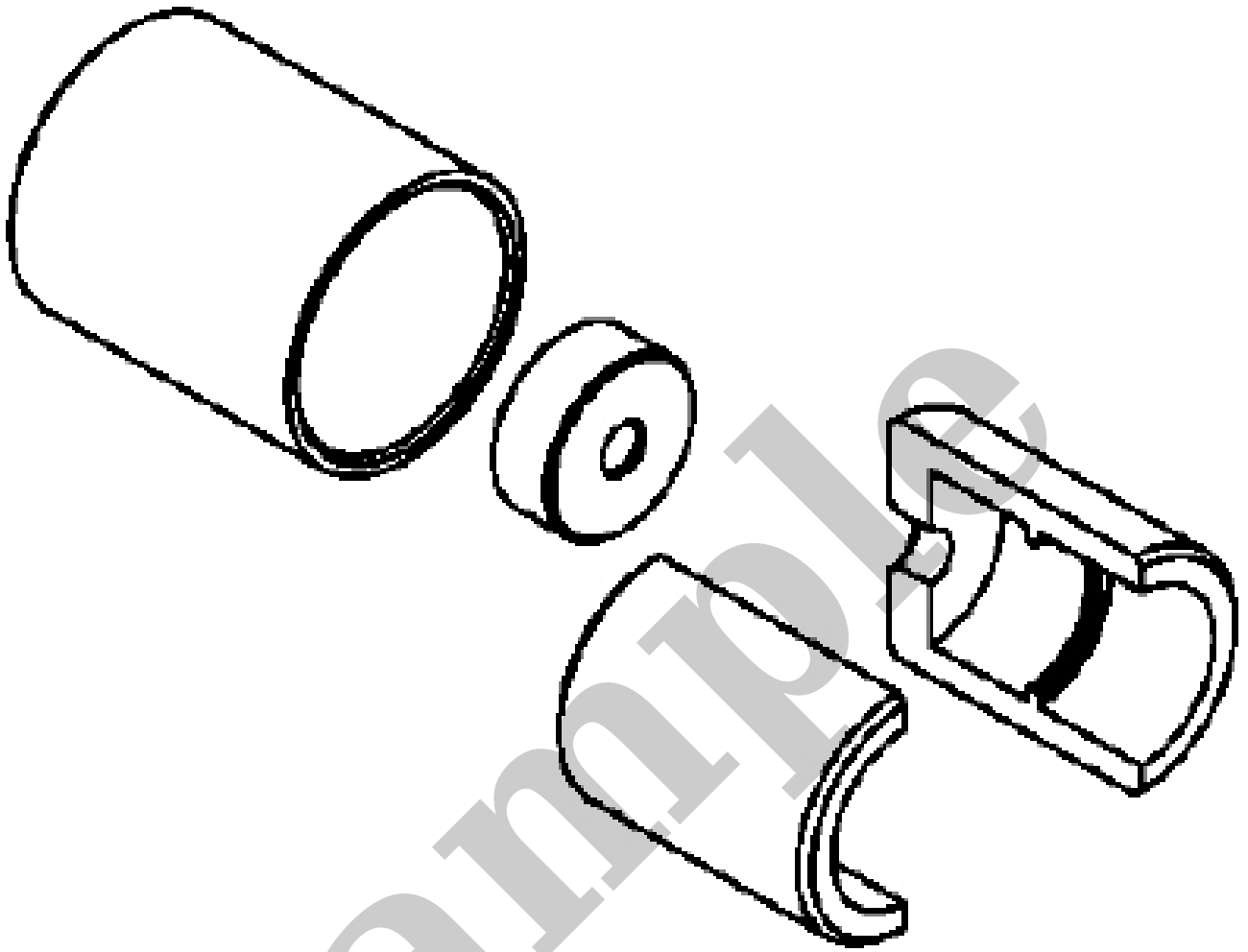
, to install **NEW** halfshaft seal. Lubricate the inside diameter with Mopar® Gear and Axle Lubricant to protect seal during halfshaft installation.

- For vehicles equipped with 4SD, use Driver Handle

Driver Handle, Universal

3. Remove the axle shaft using the

Remover, Shaft

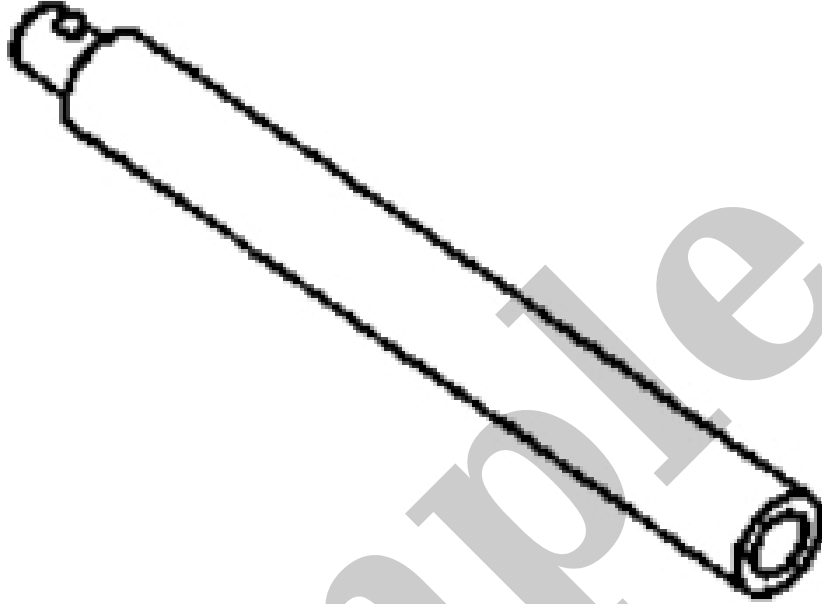


and

Slide Hammers

, Drive Handle Extension

Extension, Drive Handle



and Installer

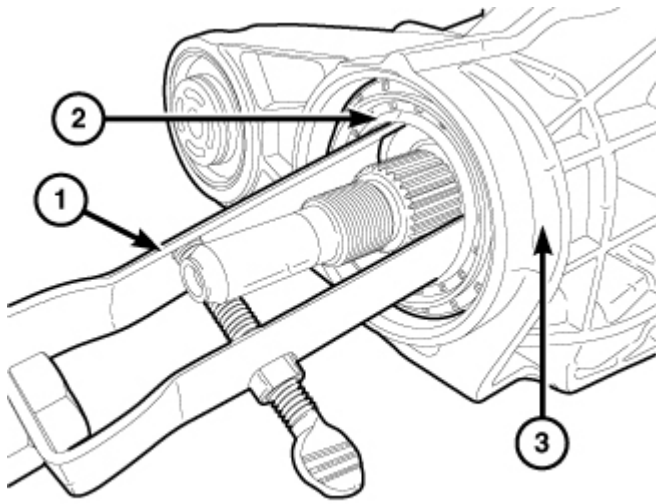
Installer, Seal

Sample



CALLOUT	DESCRIPTION	SPECIFICATION	COMMENTS
4	Front Driveshaft to Transfer Case Flange Bolts	<b>56 N·m (41 Ft. Lbs.)</b>	If removed, <b>NEW</b> bolts must be installed and tightened to specifications

Sample



2977084

1 - Seal Removal Tool
2 - Pinion Seal
3 - Rear Axle/Differential

7. Using seal remover

Remover, Seal

Sample