

Your Ultimate Source for OEM Repair Manuals

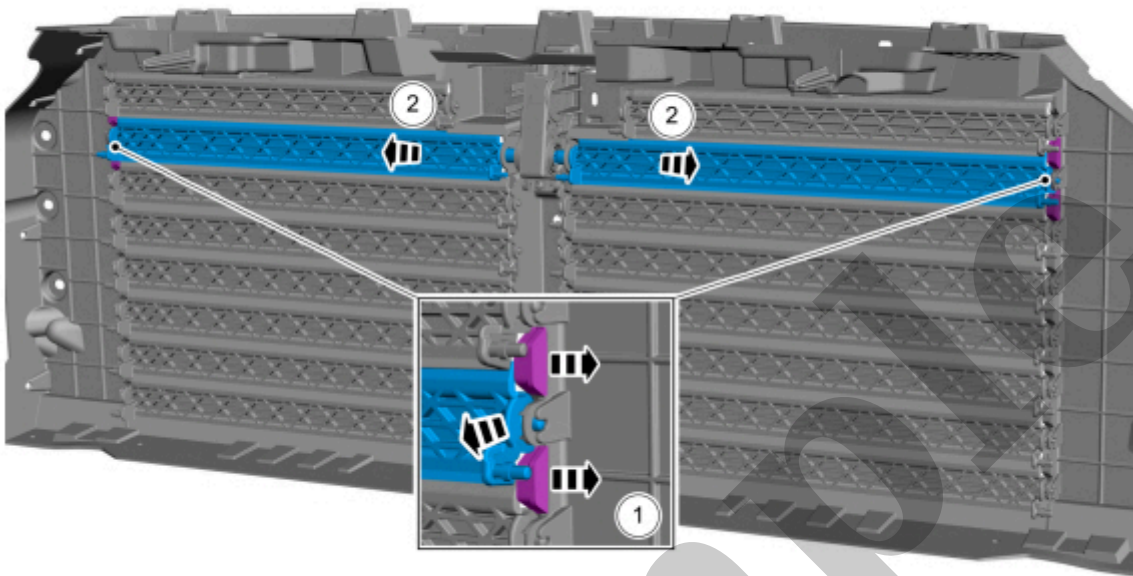
FactoryManuals.net is a great resource for anyone who wants to save money on repairs by doing their own work. The manuals provide detailed instructions and diagrams that make it easy to understand how to fix a vehicle.

2007 FORD Focus C-Max OEM Service and Repair Workshop Manual

[Go to manual page](#)

[Click here to learn about symbols, color coding, and icons used in this manual.](#)

3.
 - Release the tabs at the edges
 - Remove the drive vanes.



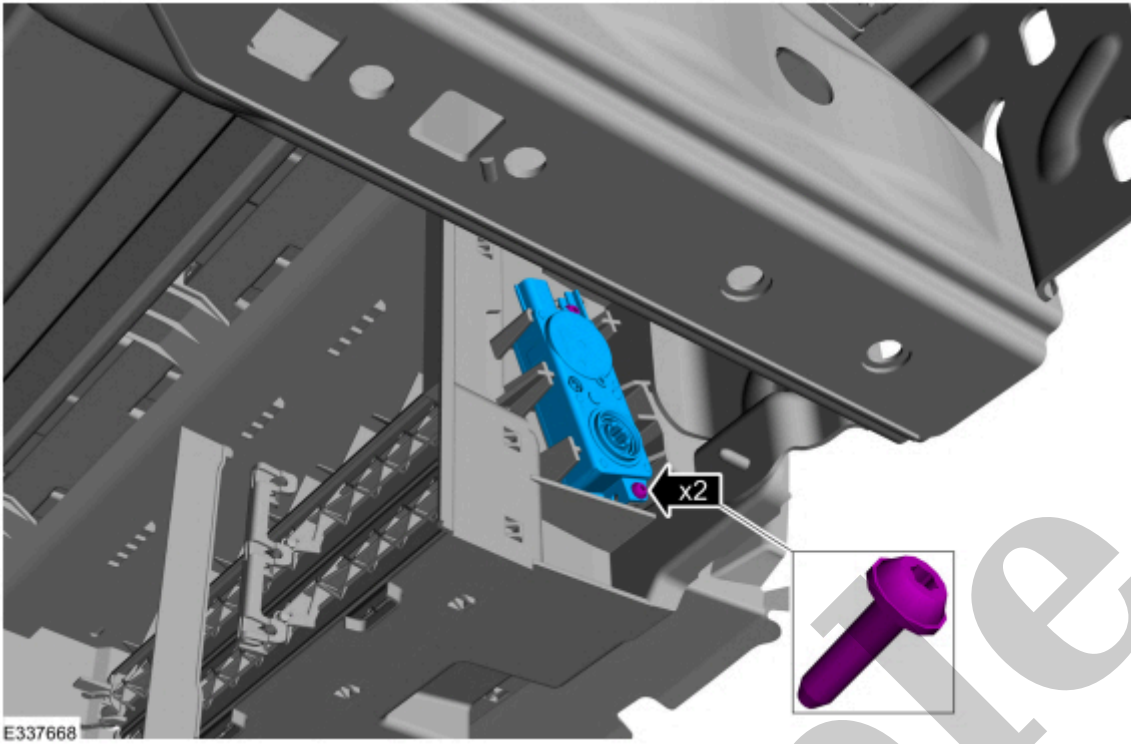
E337666

[Click here to learn about symbols, color coding, and icons used in this manual.](#)

4. **NOTE**

The upper active grille shutter actuator is not interchangeable with the lower active grille shutter actuator. Do not attempt to replace one actuator with the other.

- Remove the screw.
- Release the tab and remove the upper active grille shutter actuator

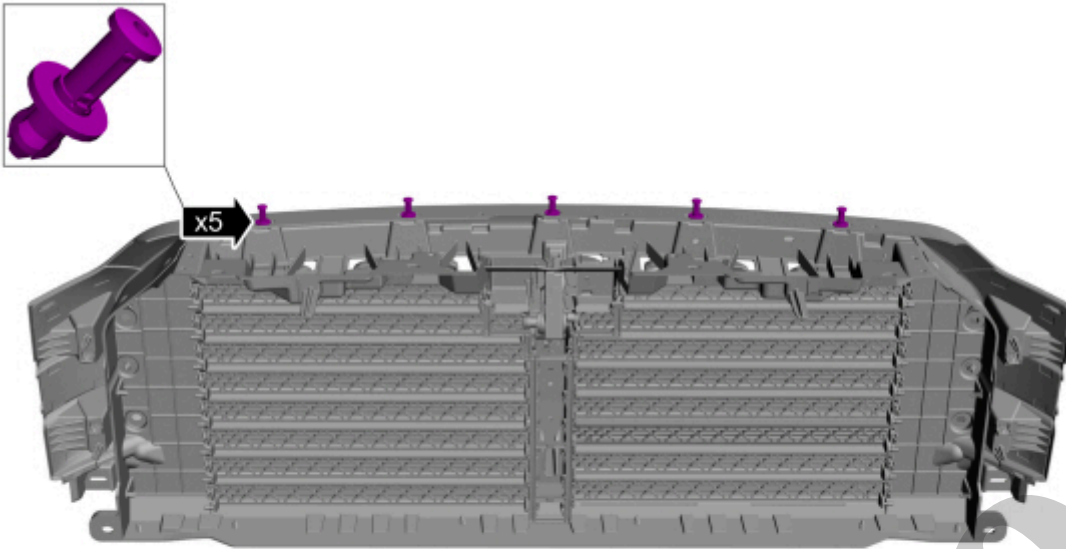


[Click here to learn about symbols, color coding, and icons used in this manual.](#)

Installation

1. To install, reverse the removal procedure.

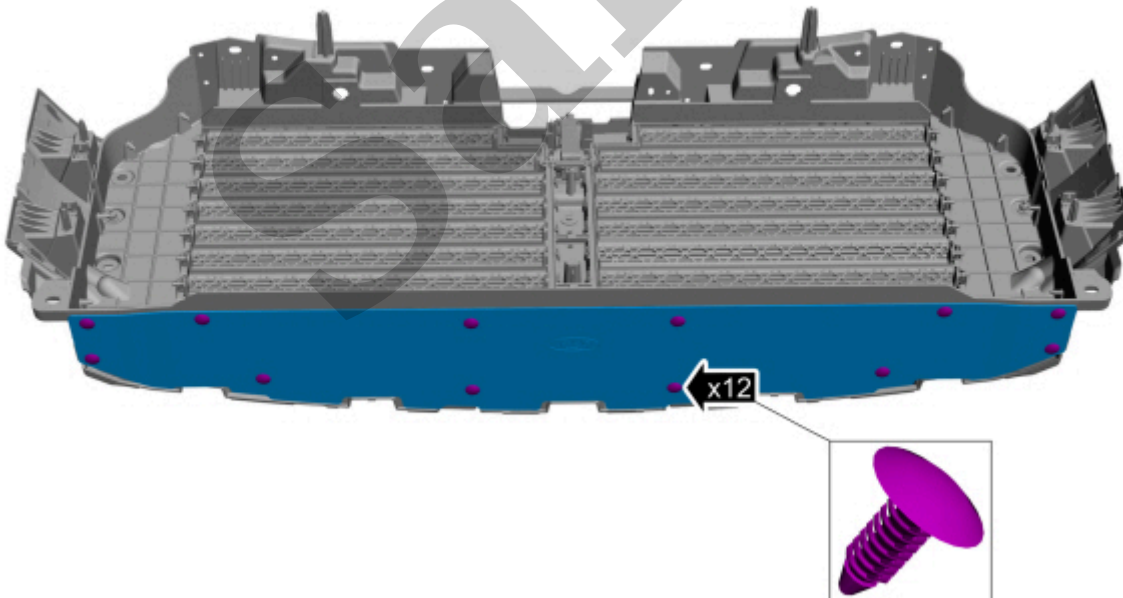
Copyright © Ford Motor Company



E337656

[Click here to learn about symbols, color coding, and icons used in this manual.](#)

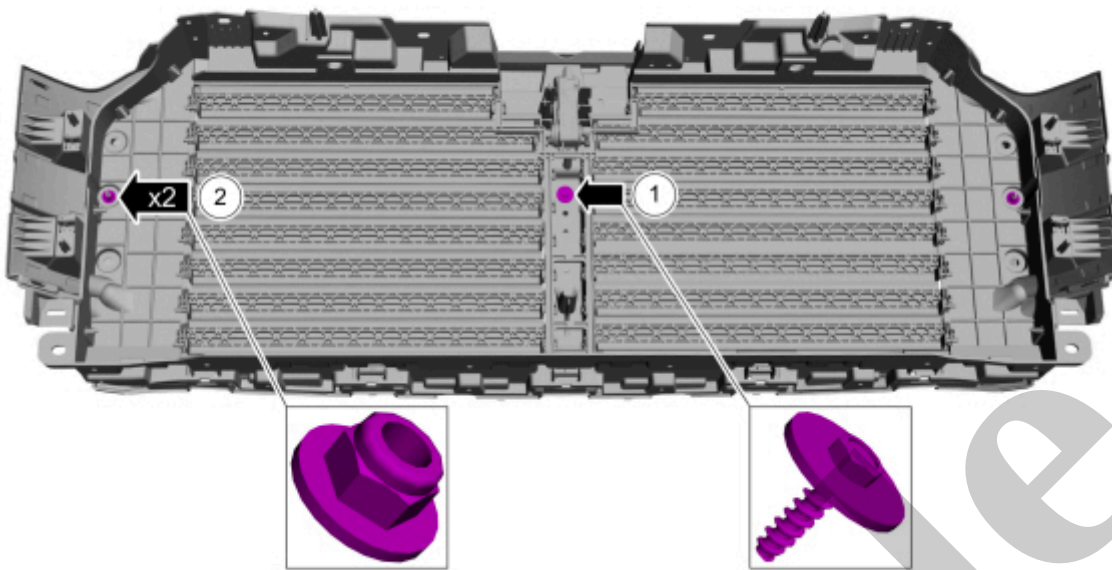
3. Remove the retainers and the deflector.



E337657

[Click here to learn about symbols, color coding, and icons used in this manual.](#)

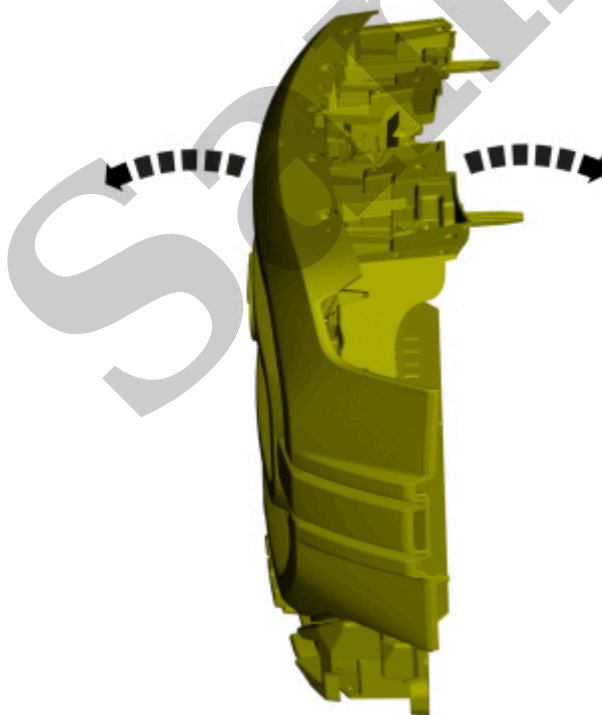
4. Remove the clips.



E337659

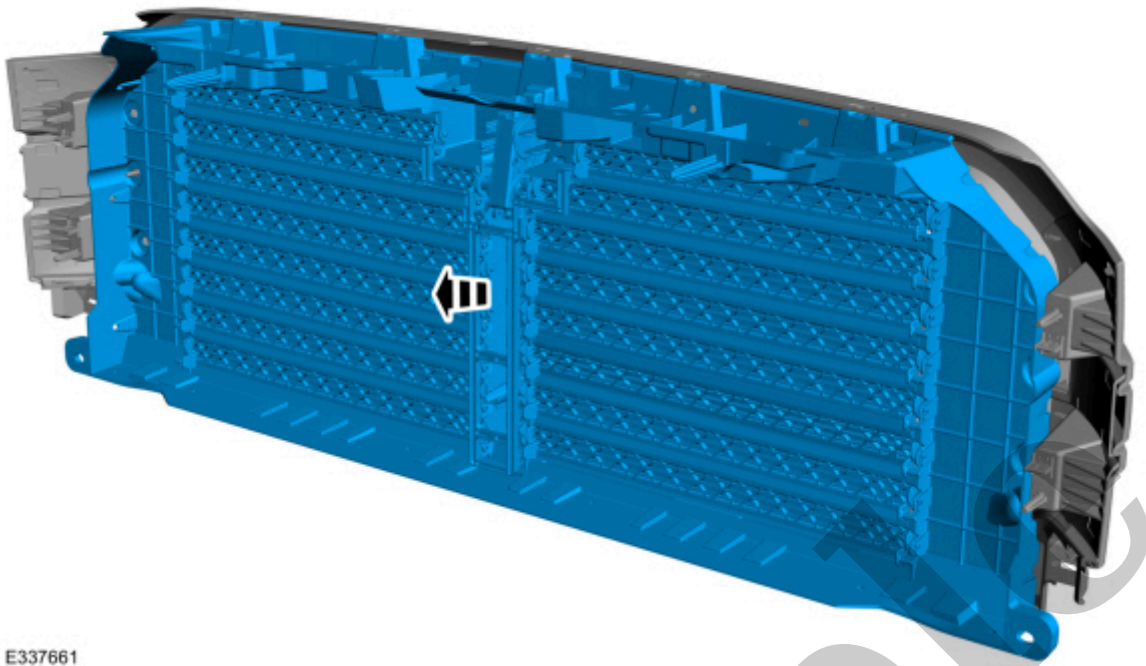
[Click here to learn about symbols, color coding, and icons used in this manual.](#)

6. Separate the active grille shutter from the radiator grille.



E337660

[Click here to learn about symbols, color coding, and icons used in this manual.](#)

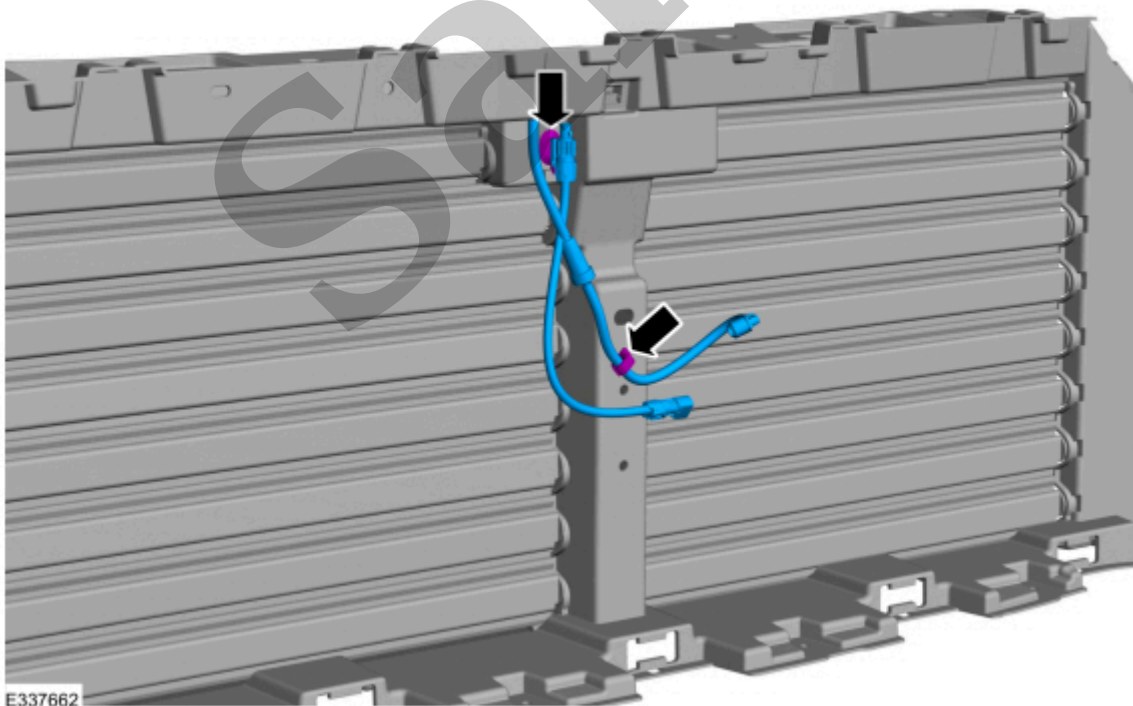


E337661

[Click here to learn about symbols, color coding, and icons used in this manual.](#)

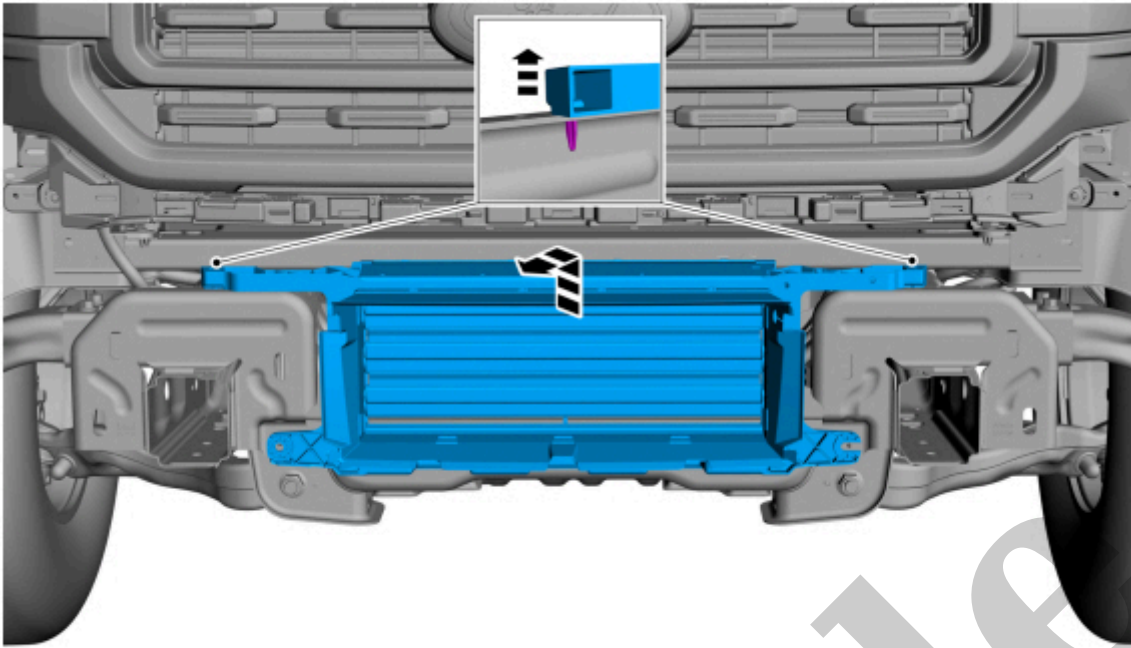
9. If equipped.

Remove the pin-type retainers and the wire harness.



E337662

[Click here to learn about symbols, color coding, and icons used in this manual.](#)



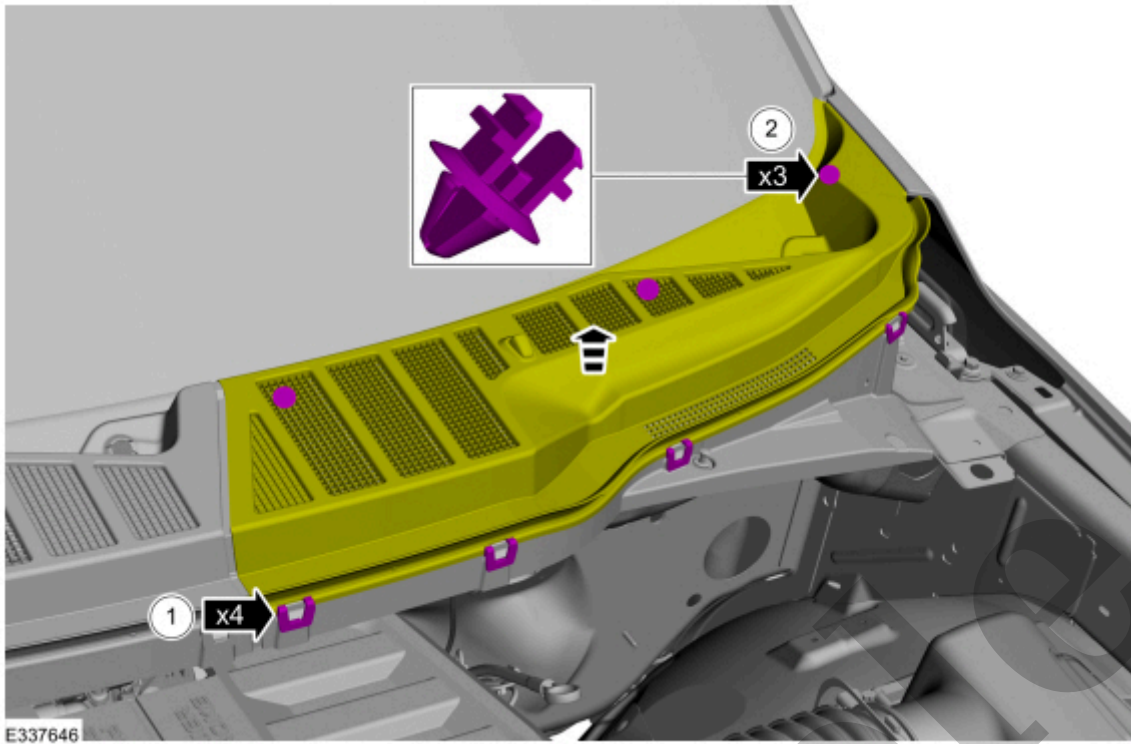
E337664

[Click here to learn about symbols, color coding, and icons used in this manual.](#)

Installation

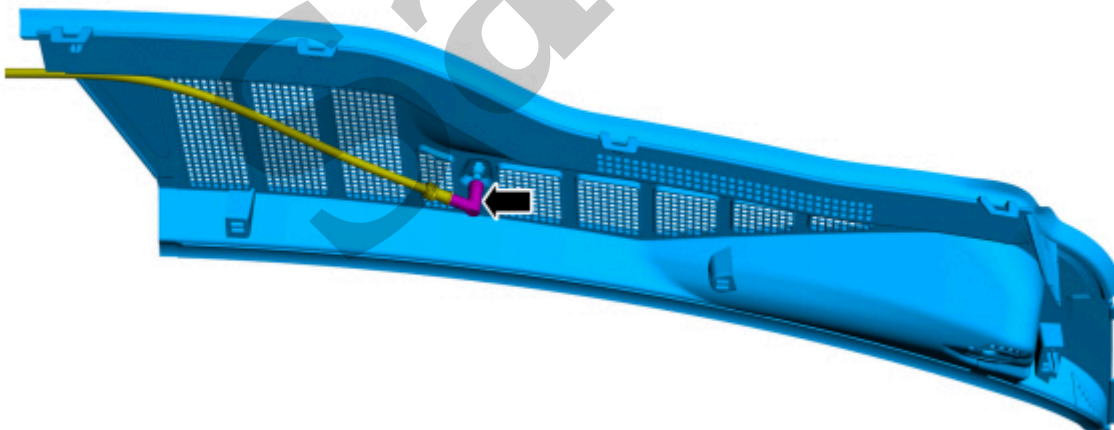
1. To install, reverse the removal procedure.

Copyright © Ford Motor Company



[Click here to learn about symbols, color coding, and icons used in this manual.](#)

3. Disconnect the windshield washer tube and remove the cowl panel grille.



E337647

[Click here to learn about symbols, color coding, and icons used in this manual.](#)

RH side

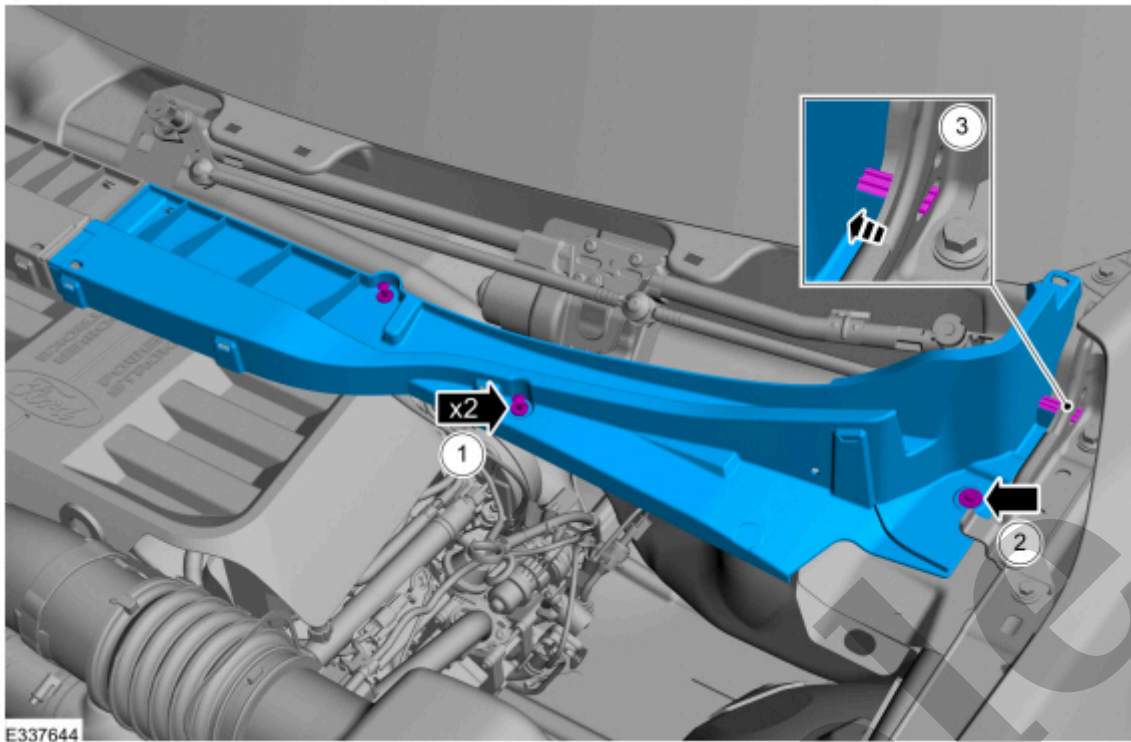
[Click here to learn about symbols, color coding, and icons used in this manual.](#)

Installation

1. To install, reverse the removal procedure.

Copyright © Ford Motor Company

Sample



[Click here to learn about symbols, color coding, and icons used in this manual.](#)

3. 1. Remove the pin type retainers.

2. Remove the screw.

Torque : 28 lb.in (3.2 Nm)

3. Slide out and remove the LH (left-hand) side cowl panel.