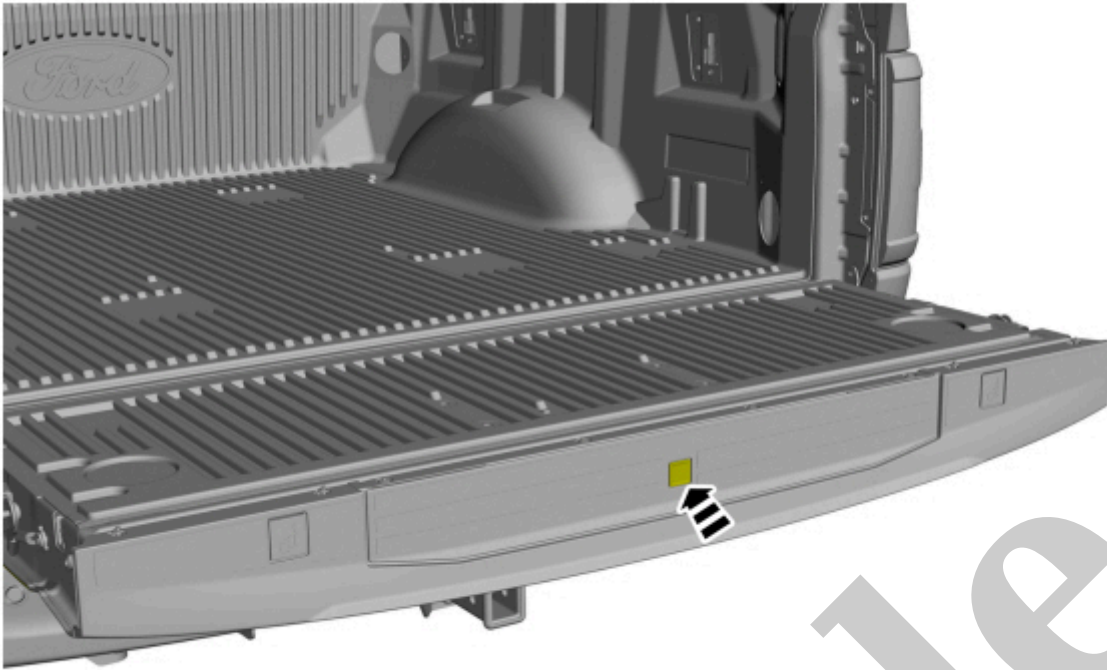


# Your Ultimate Source for OEM Repair Manuals

FactoryManuals.net is a great resource for anyone who wants to save money on repairs by doing their own work. The manuals provide detailed instructions and diagrams that make it easy to understand how to fix a vehicle.

## 2007 FORD F-150 Super Cab OEM Service and Repair Workshop Manual

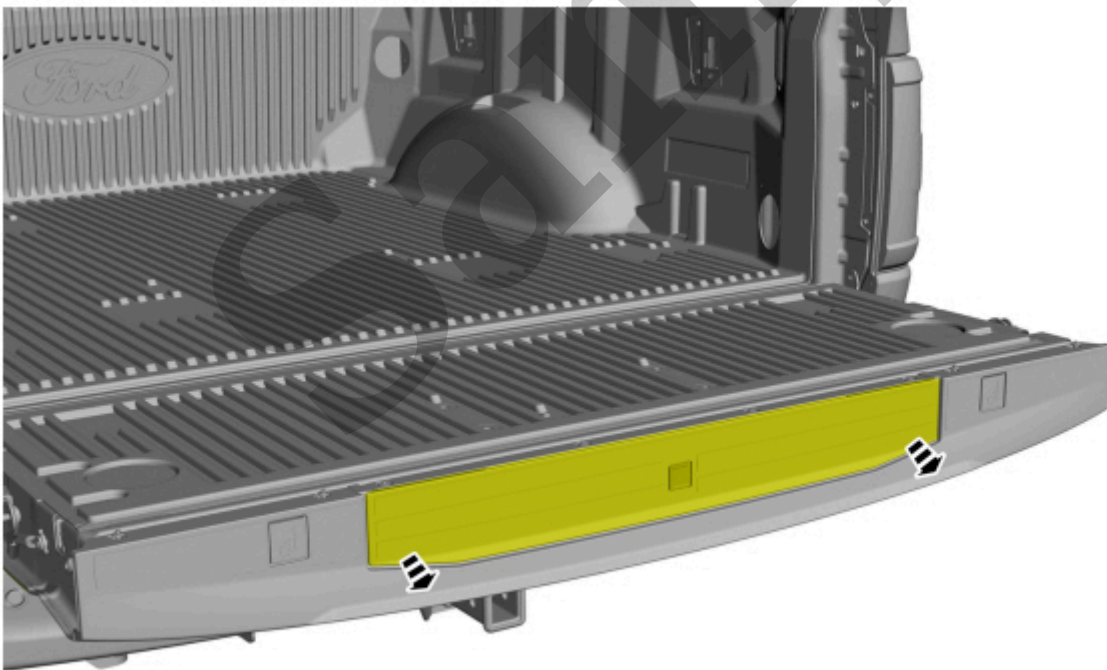
[Go to manual page](#)



E338870

[Click here to learn about symbols, color coding, and icons used in this manual.](#)

3. Open the tailgate step.



E338871

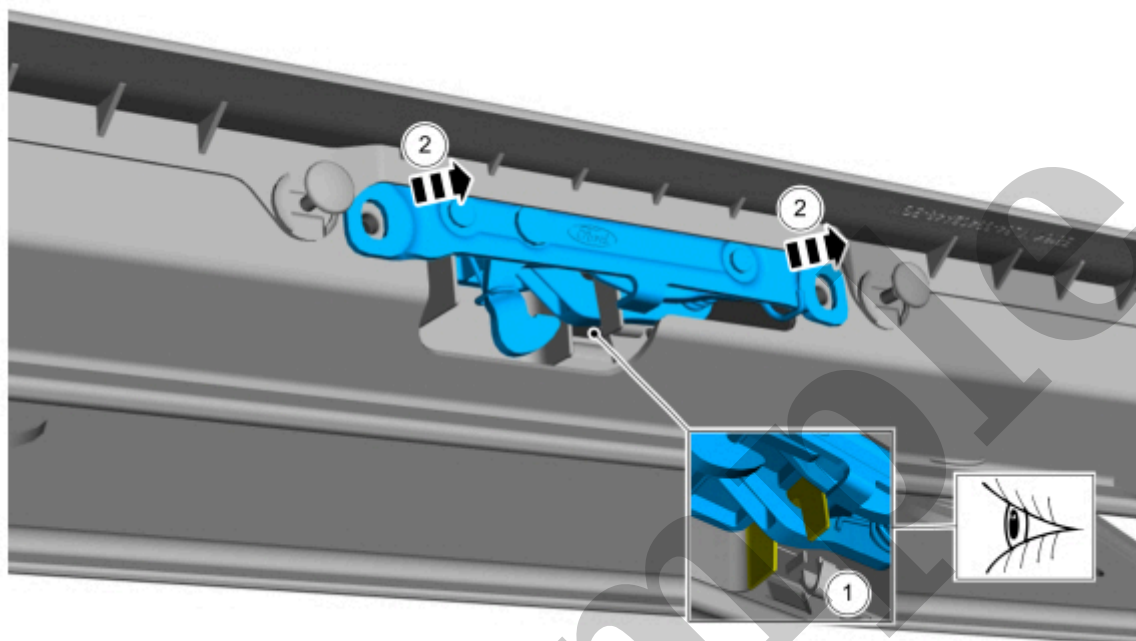
[Click here to learn about symbols, color coding, and icons used in this manual.](#)

4. Index mark the tailgate step latch for alignment during installation.

## 6. NOTE

Note the position of the components before removal.

Remove the flexible strip of the tailgate step center molding from the lever arm and remove the latch.



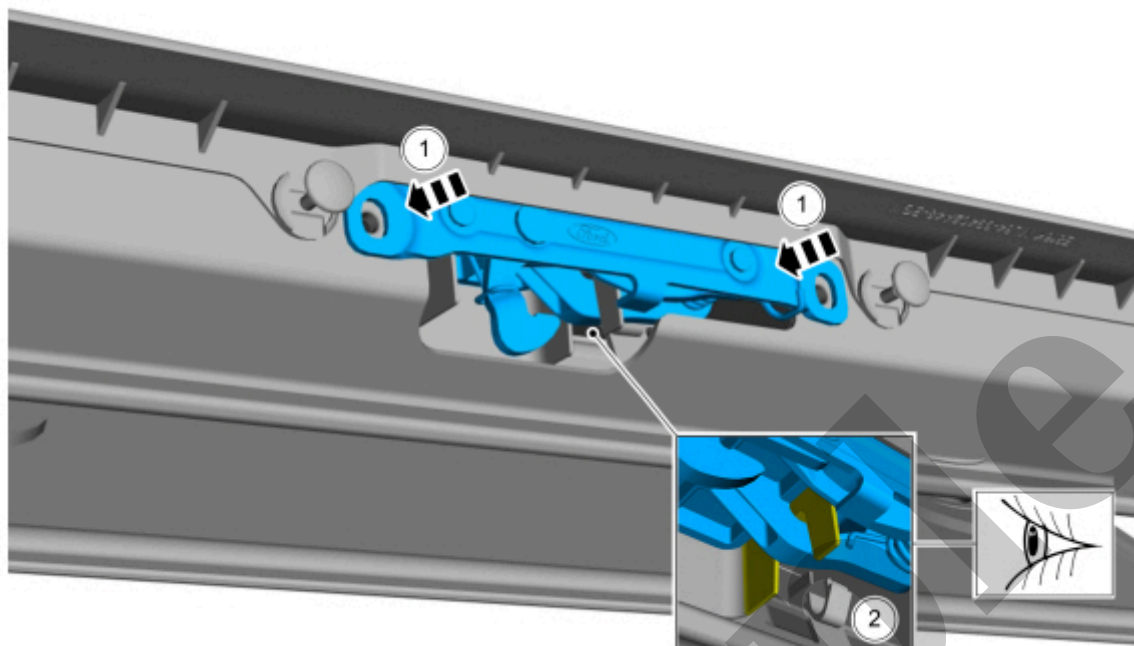
E357486

[Click here to learn about symbols, color coding, and icons used in this manual.](#)

### Installation

1. Note the position of the tailgate step latch assembly in free state. Depress the latch lever to force the latch catch plate to rotate.

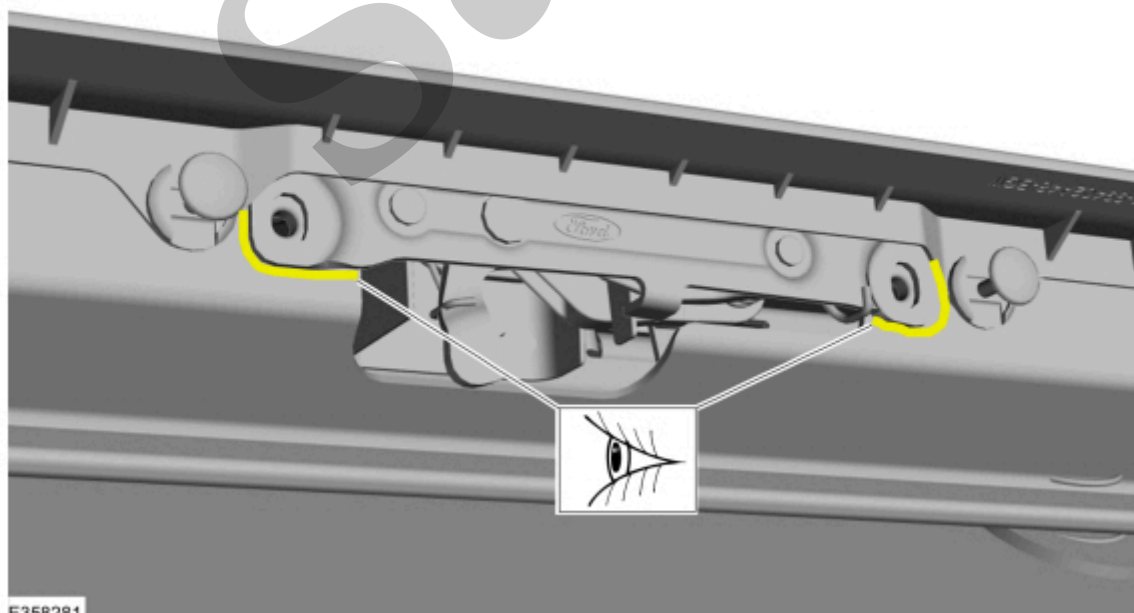
3. With the latch lever still compressed, align the flexible strip of the step center molding through the slot in the latch lever.



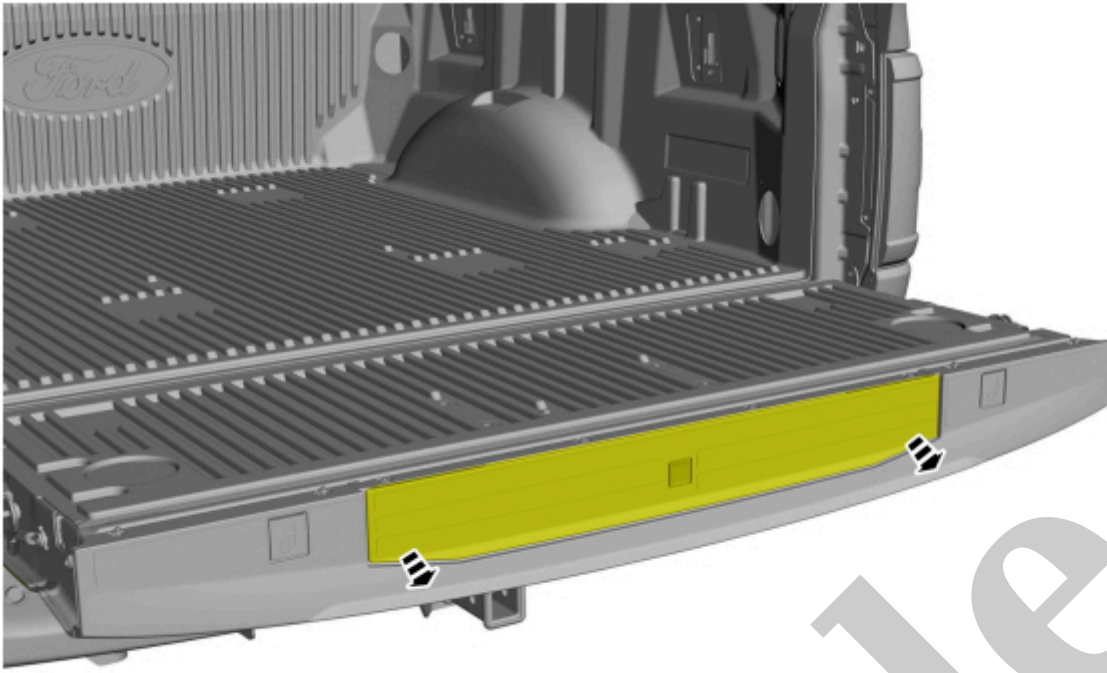
E358280

[Click here to learn about symbols, color coding, and icons used in this manual.](#)

4. Align the edges of the latch sub-assembly with the outline marked during removal.



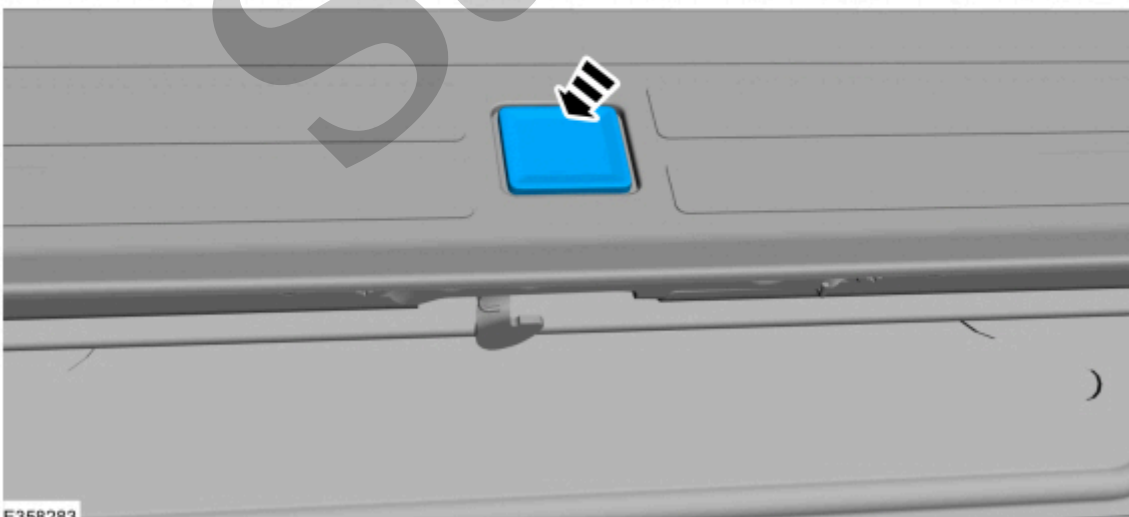
E358281



E338871

[Click here to learn about symbols, color coding, and icons used in this manual.](#)

7. Remove the protective film from the button top cap and install on the latch lever. Make sure that the button top cap is aligned and equally spaced from the tailgate step center molding.



E358283

[Click here to learn about symbols, color coding, and icons used in this manual.](#)



## Tailgate Step Sensor

<b>501-04 Pickup Bed and Platform Body</b>	<b>2022 F-150</b>
<b>Removal and Installation</b>	<b>Procedure revision date: 10/2/2020</b>

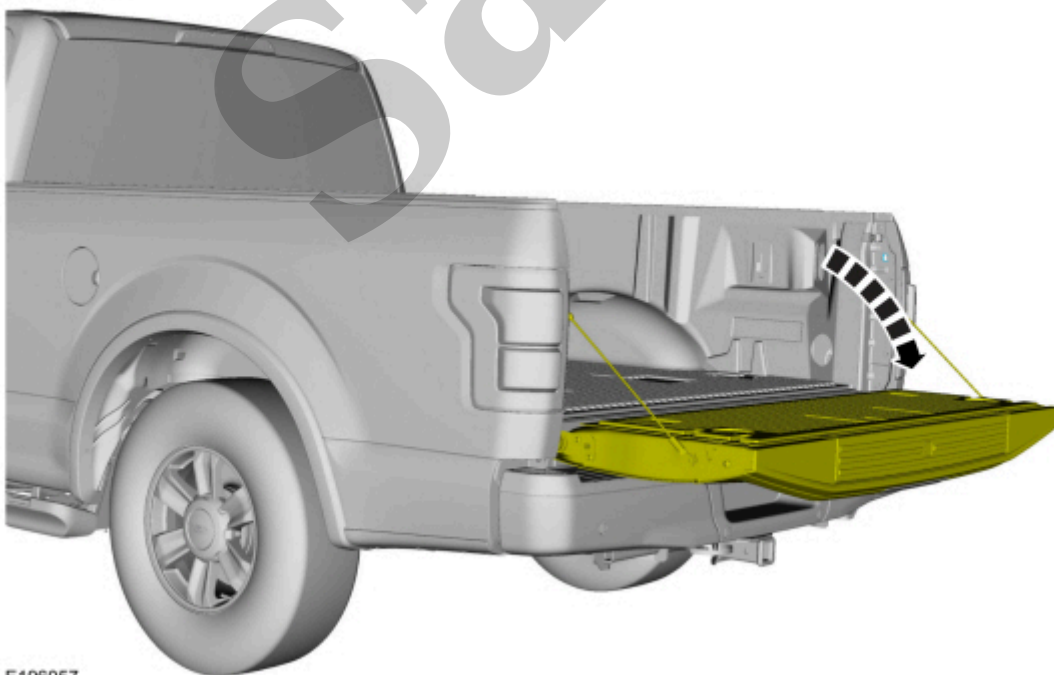
### Tailgate Step Sensor

#### Removal

#### NOTE

Removal steps in this procedure may contain installation details.

1. Move the tailgate to approximately 90 degrees from vertical.

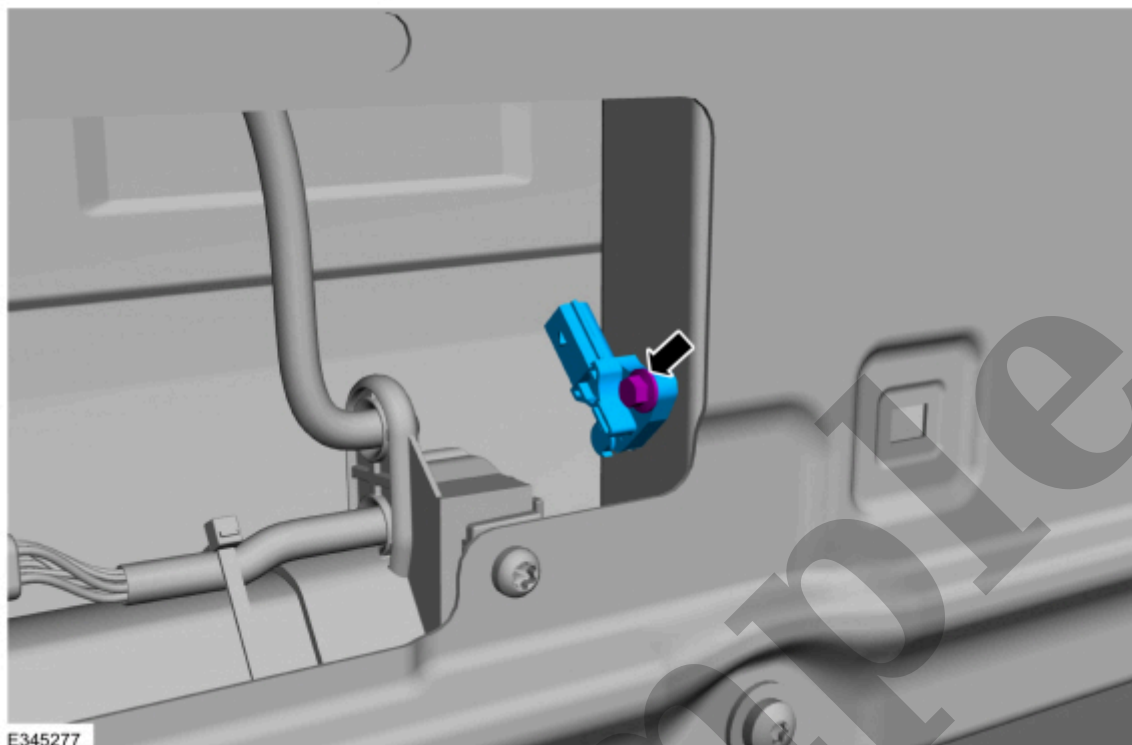


E196057

[Click here to learn about symbols, color coding, and icons used in this manual.](#)

4. Remove the bolt and step sensor.

**Torque** : 27 lb.in (3 Nm)

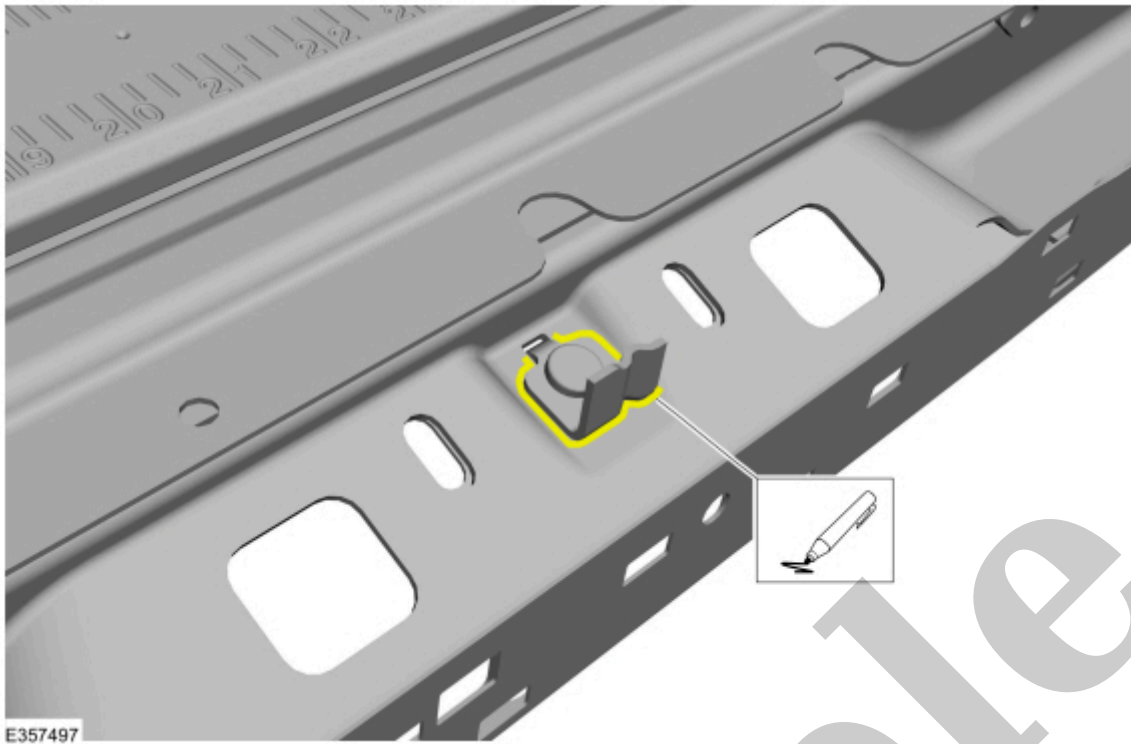


[Click here to learn about symbols, color coding, and icons used in this manual.](#)

### **Installation**

1. To install, reverse the removal procedure.

Copyright © Ford Motor Company

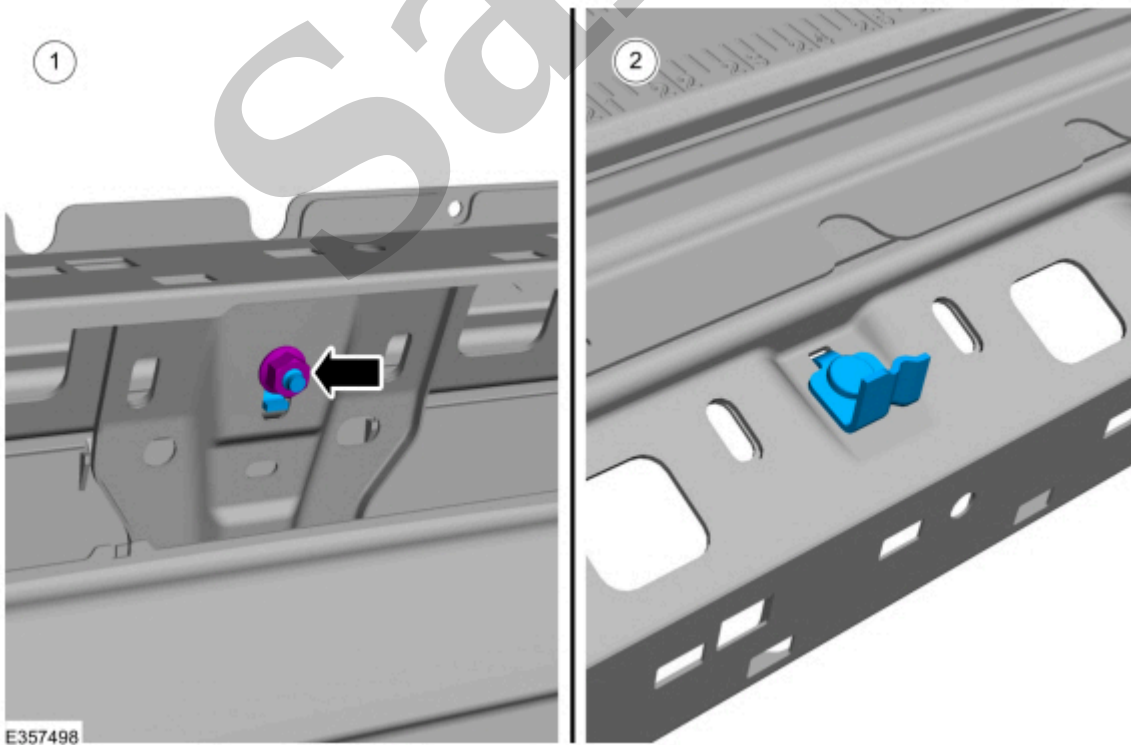


[Click here to learn about symbols, color coding, and icons used in this manual.](#)

1. Remove the nut.

**Torque** : 16 lb.ft (22 Nm)

2. Remove the tailgate step striker.







## Tailgate Step

<b>501-04 Pickup Bed and Platform Body</b>	<b>2022 F-150</b>
<b>Removal and Installation</b>	<b>Procedure revision date: 06/15/2021</b>

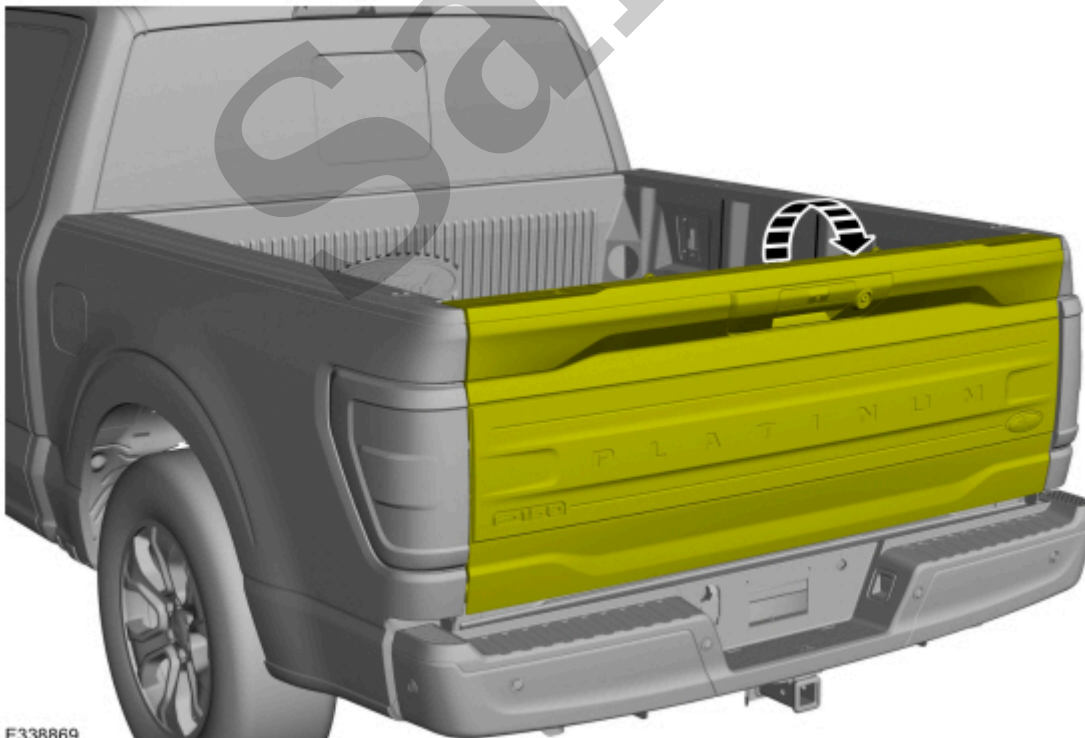
### Tailgate Step

#### Removal

#### NOTE

Removal steps in this procedure may contain installation details.

1. Lower the tailgate.



E338869

[Click here to learn about symbols, color coding, and icons used in this manual.](#)

4. Remove the tailgate step inside bolts.

**Torque** : 17 lb.ft (23 Nm)



[Click here to learn about symbols, color coding, and icons used in this manual.](#)

5. Remove the screws and the tailgate panel.



[Click here to learn about symbols, color coding, and icons used in this manual.](#)

6. Disconnect the electrical connector and position the wiring harness aside.