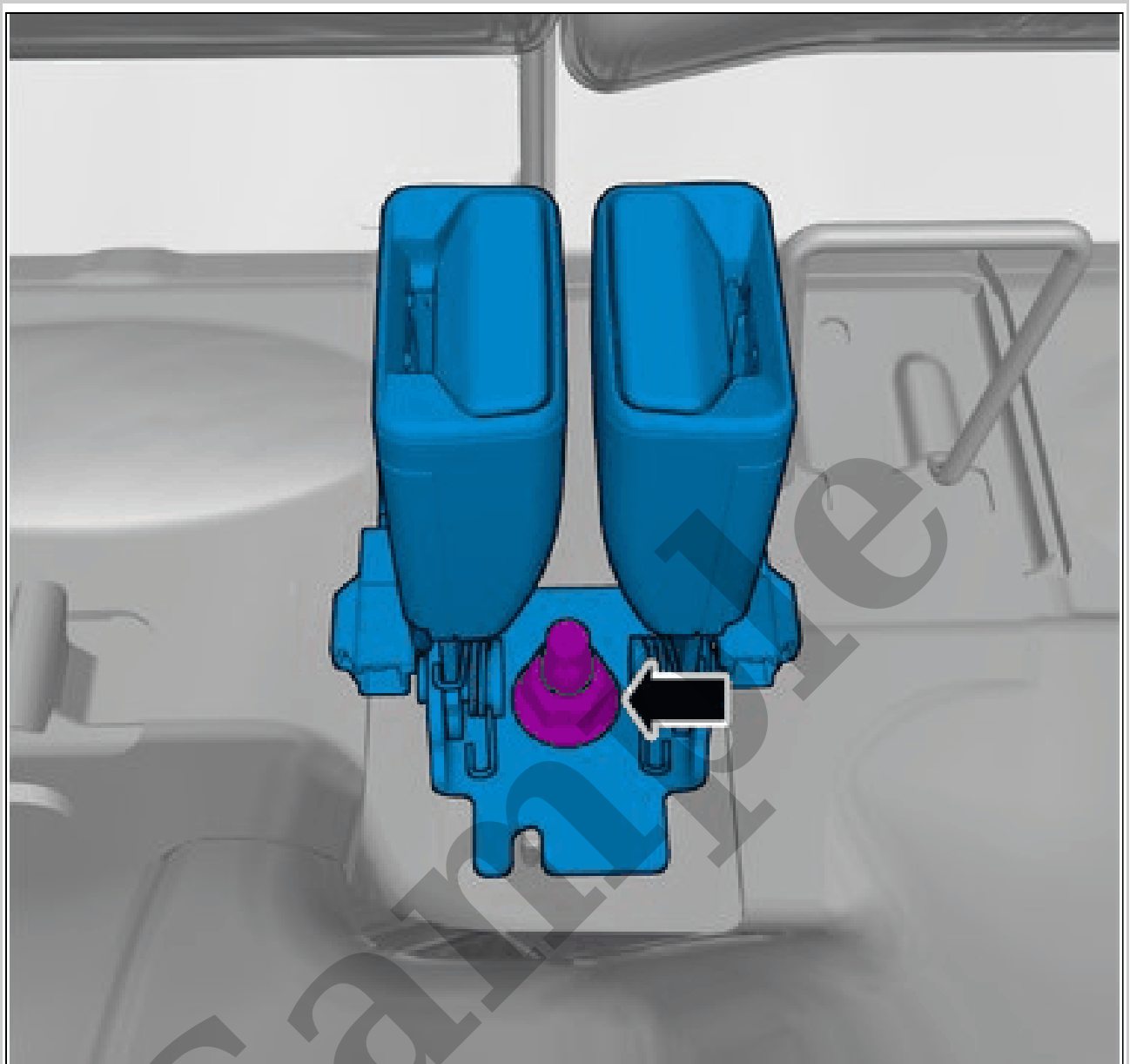


Your Ultimate Source for OEM Repair Manuals

FactoryManuals.net is a great resource for anyone who wants to save money on repairs by doing their own work. The manuals provide detailed instructions and diagrams that make it easy to understand how to fix a vehicle.

2006 VOLVO XC90 OEM Service and Repair Workshop Manual

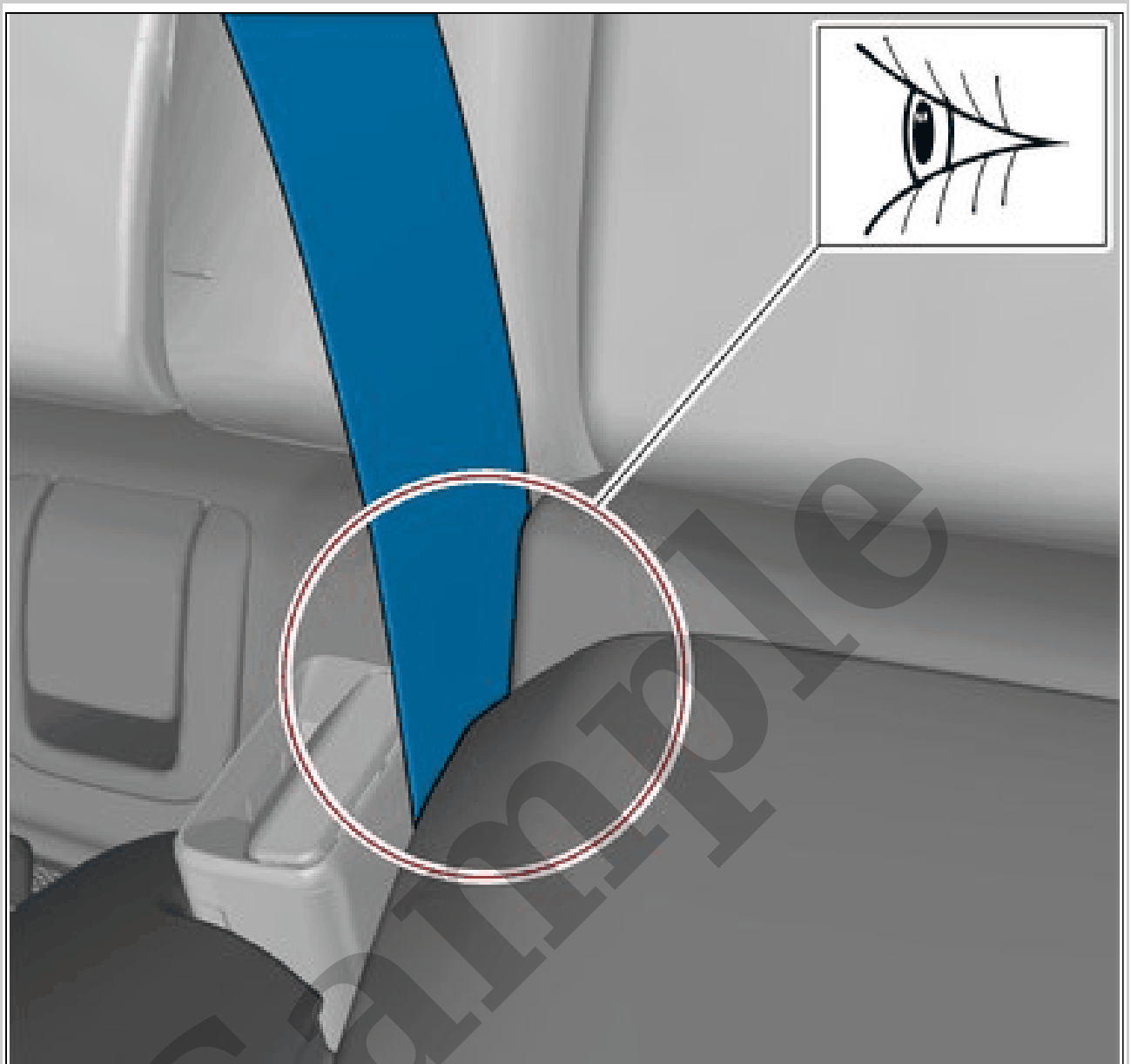
[Go to manual page](#)



Courtesy of VOLVO CARS CORPORATION

Torque: Buckle safety belt to body, 48Nm
Remove the nut.
Remove the marked part.

NOTE: *The following steps are only necessary when installing a new component.*

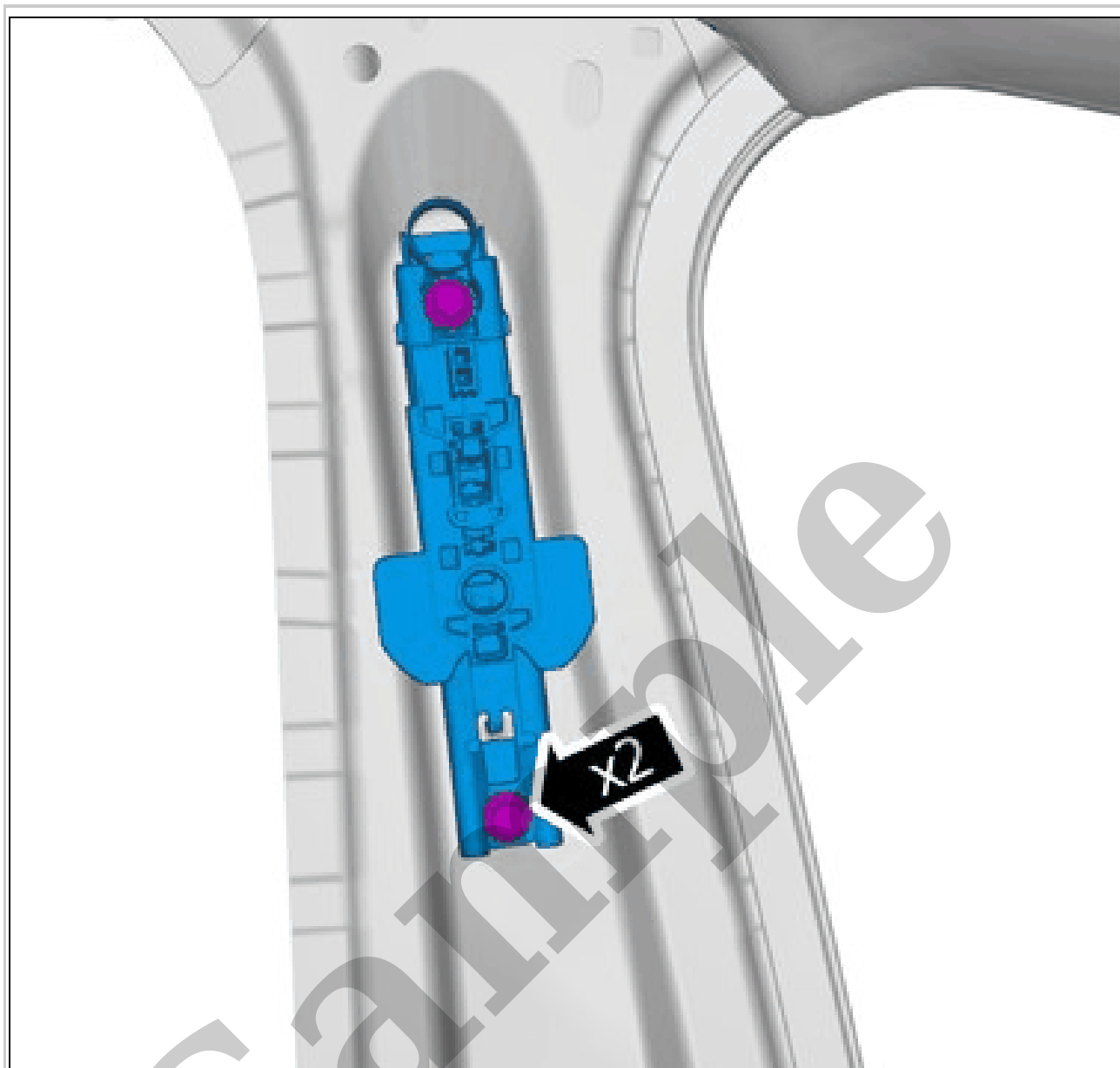


Courtesy of VOLVO CARS CORPORATION

WARNING: *Make sure to place the seat belt as the graphic shows.*

Perform seatbelt function, check. Refer to: SEAT BELT FUNCTION, CHECK

SEAT BELT HEIGHT ADJUSTER > SEAT BELT HEIGHT ADJUSTER [2018-2022] > REMOVAL



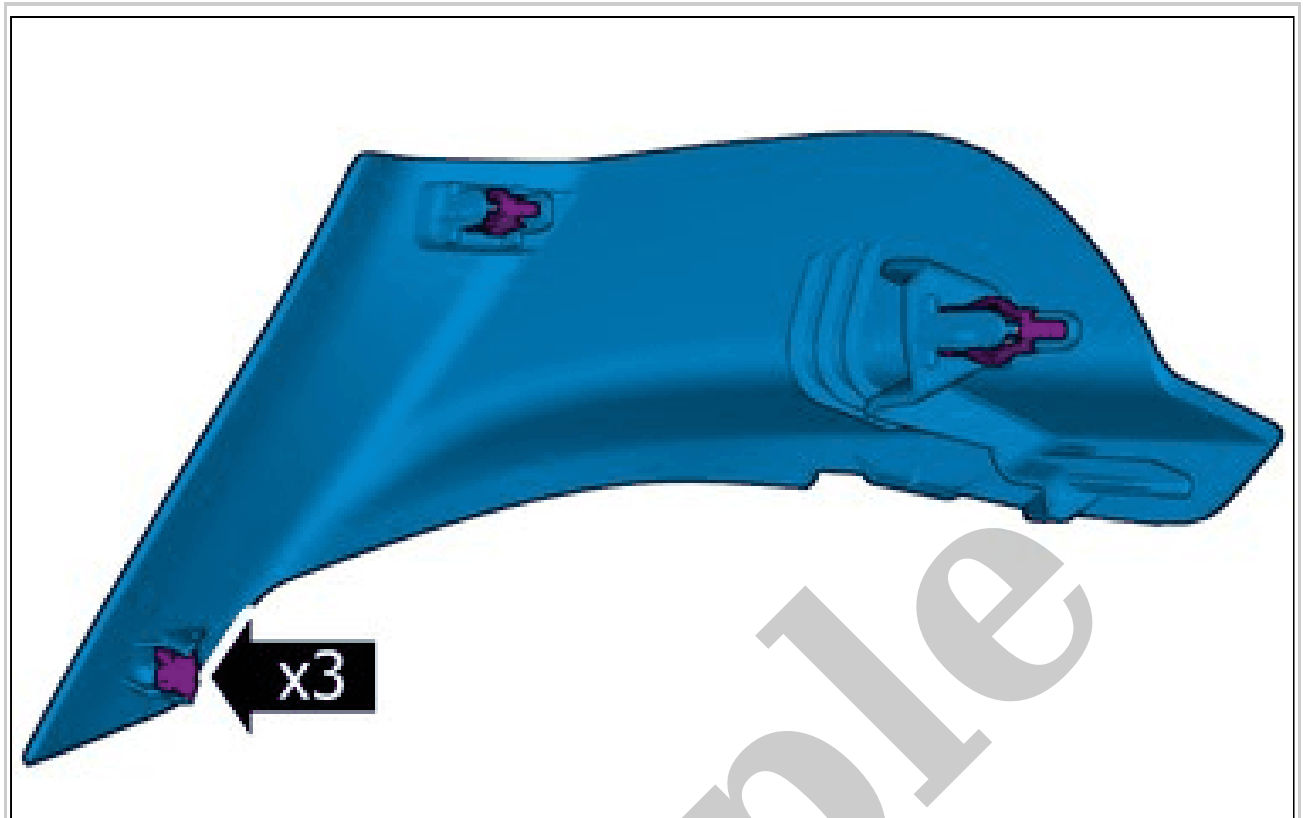
Courtesy of VOLVO CARS CORPORATION

Torque: M8, 24Nm

Loosen the screws.

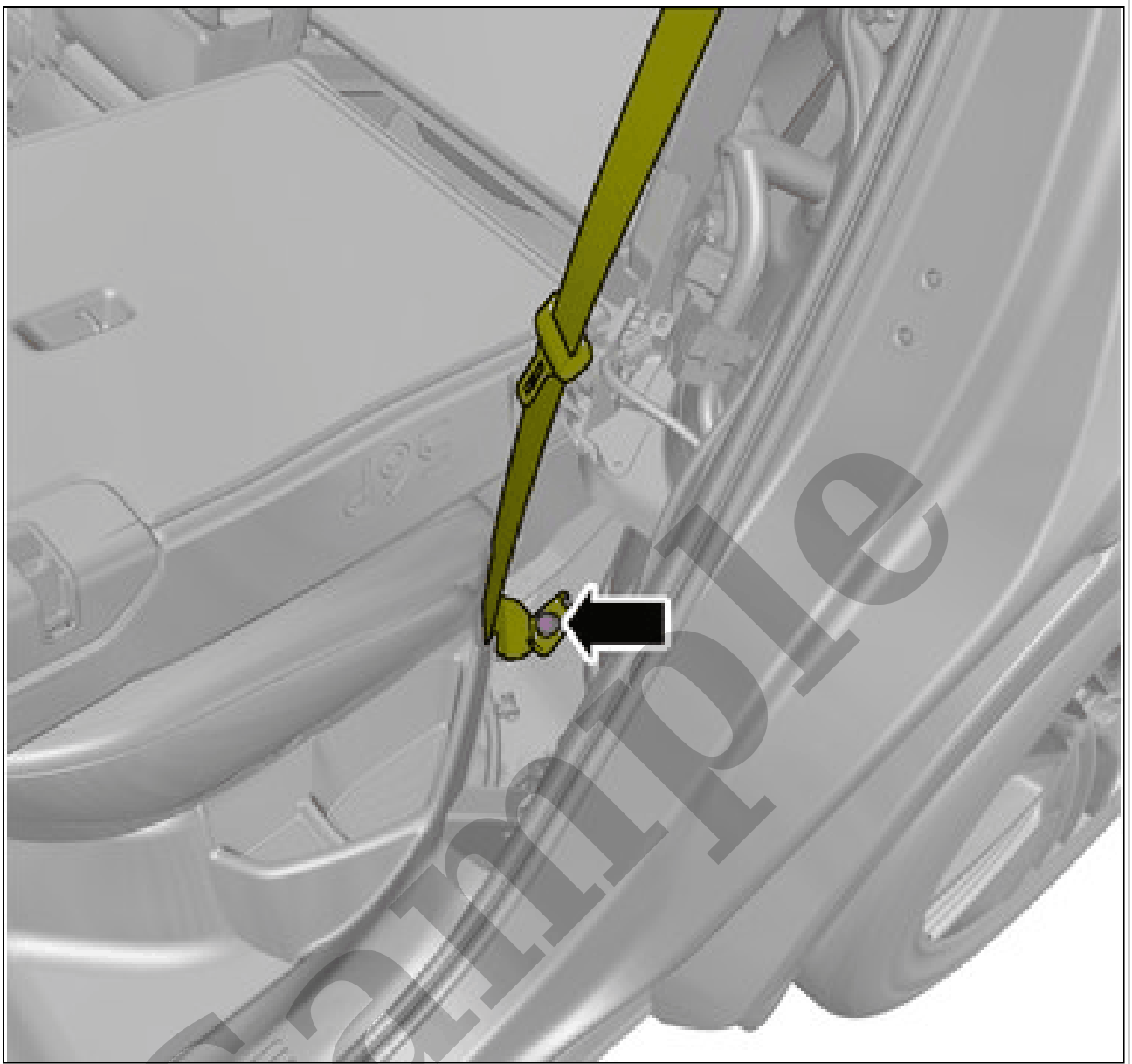
Remove the marked part.

**SEAT BELT HEIGHT ADJUSTER > SEAT BELT HEIGHT ADJUSTER [2018-2022] >
INSTALLATION**



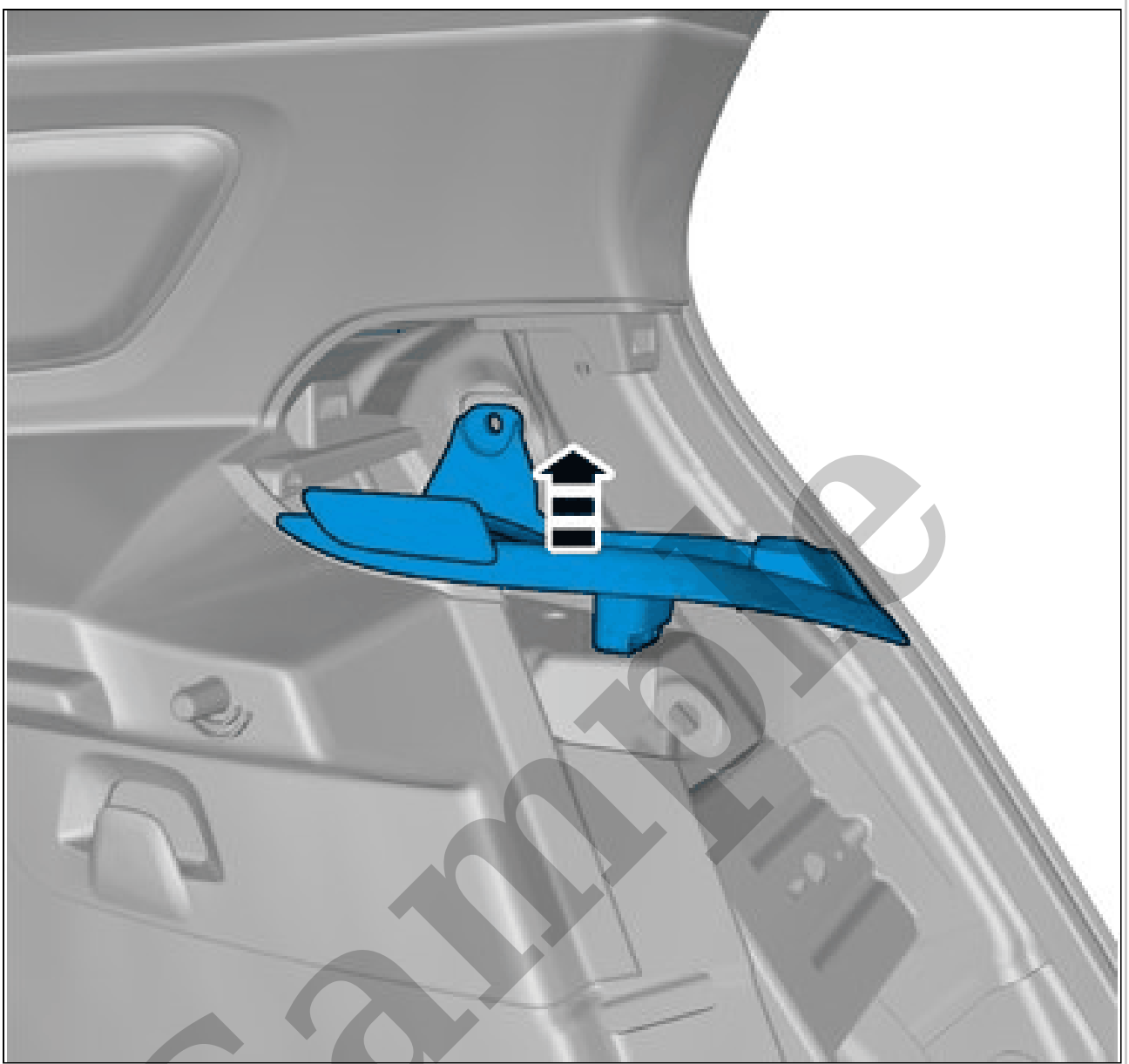
Courtesy of VOLVO CARS CORPORATION

NOTE: *The graphic shows the back of the component before removal.*



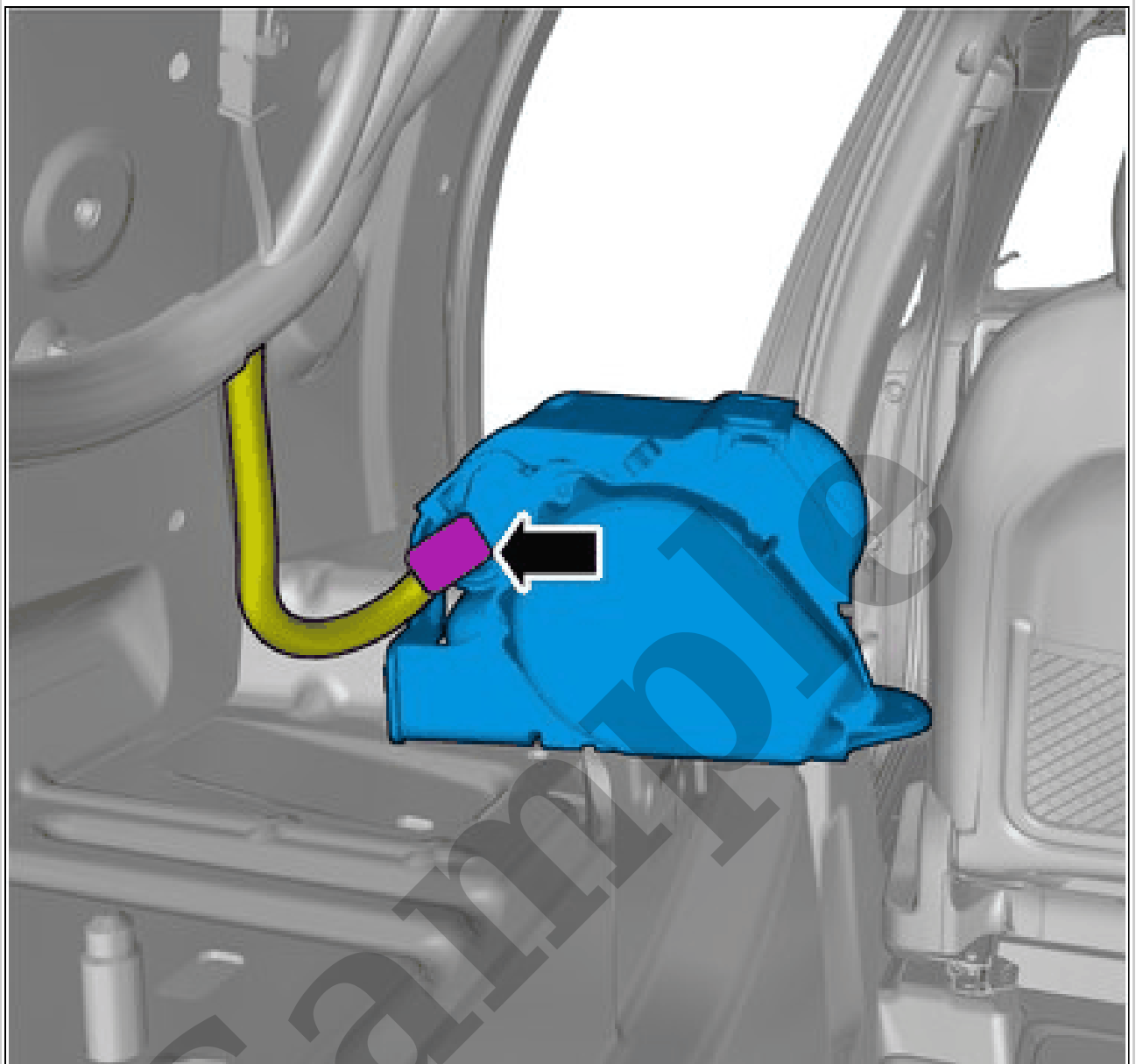
Courtesy of VOLVO CARS CORPORATION

Torque: Safety belt lower anchor to body (rear), 40Nm
Remove the screw.



Courtesy of VOLVO CARS CORPORATION

Remove the marked part.

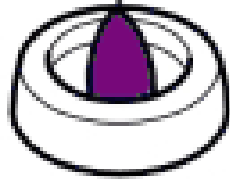
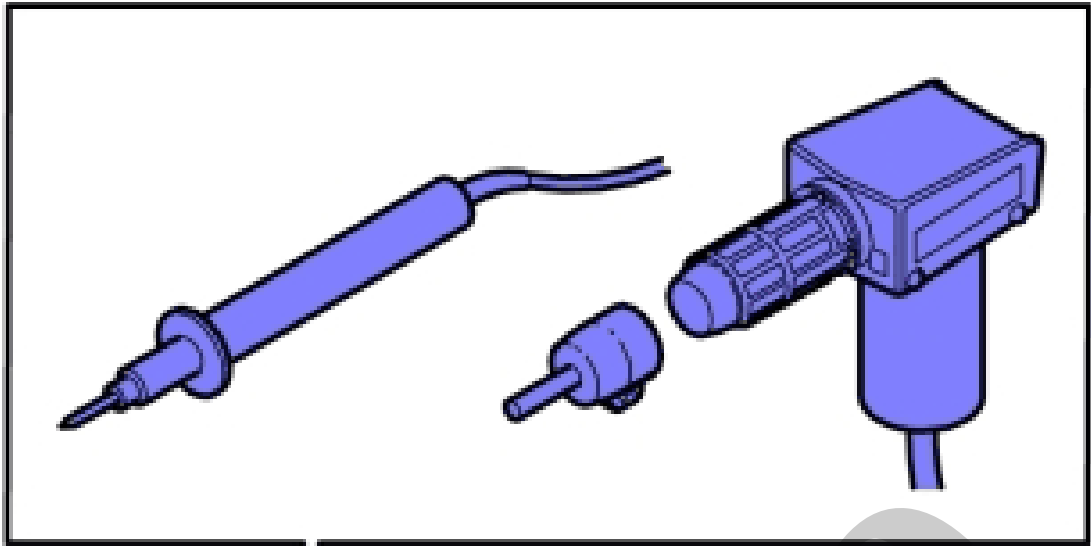


Courtesy of VOLVO CARS CORPORATION

Disconnect the connector.
Remove the marked part.

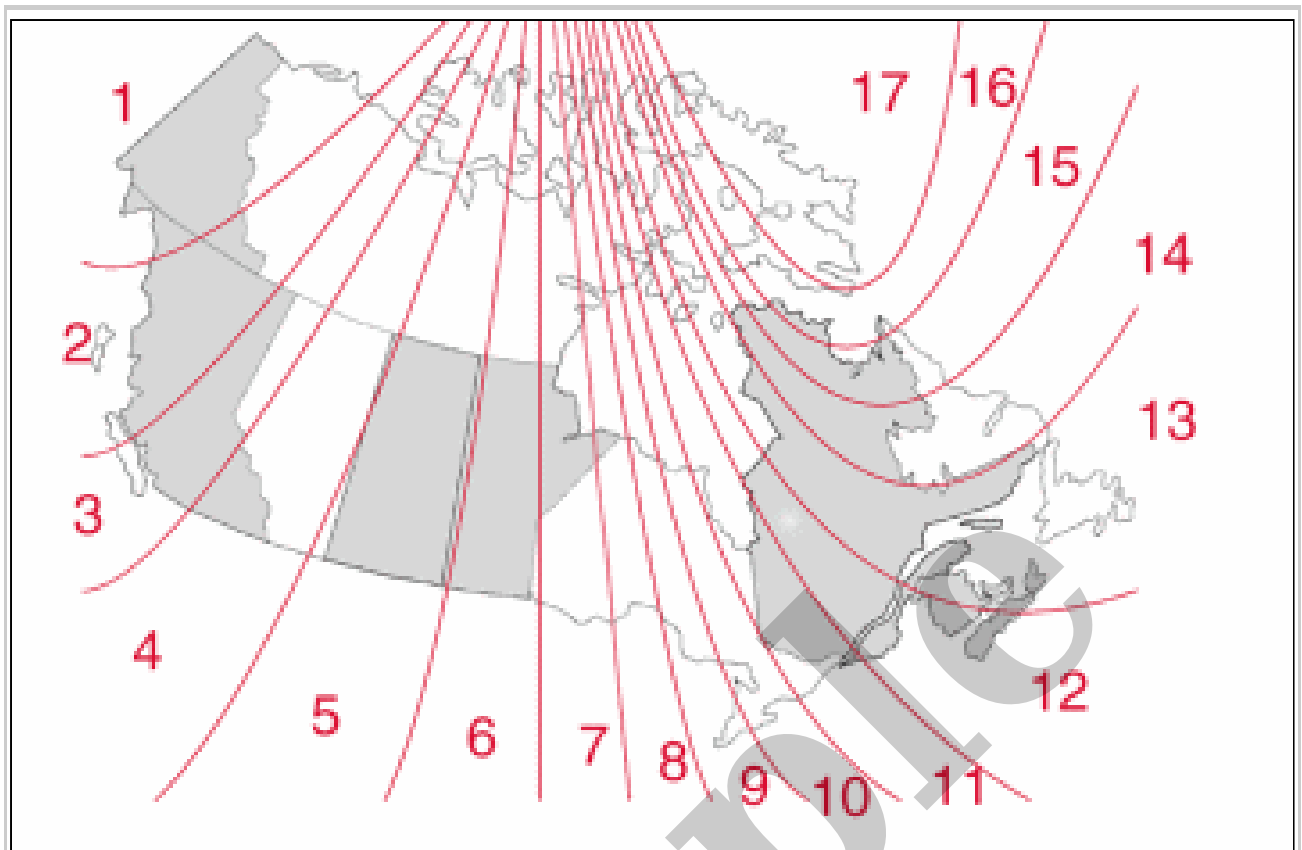
APPLIES TO THE RIGHT-HAND SIDE

Dismantle the connector ignition cable. Refer to: IGNITER WIRE CONNECTOR



Courtesy of VOLVO CARS CORPORATION

Sample



Courtesy of VOLVO CARS CORPORATION

Press the button repeatedly until a number between 1 and 15 for the relevant geographical area appears.

After about 4 seconds, the display reverts to showing the compass direction.