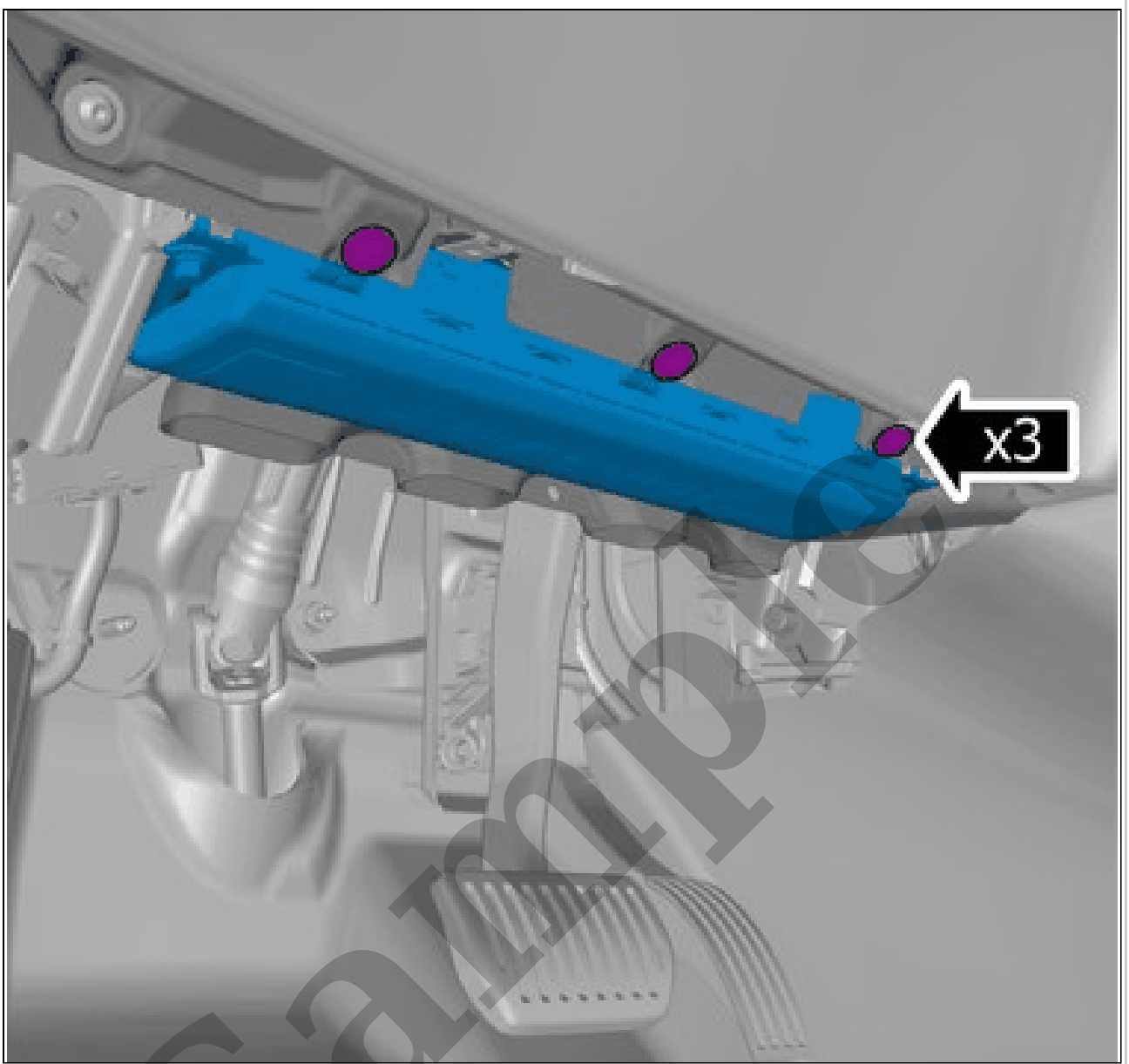


# Your Ultimate Source for OEM Repair Manuals

FactoryManuals.net is a great resource for anyone who wants to save money on repairs by doing their own work. The manuals provide detailed instructions and diagrams that make it easy to understand how to fix a vehicle.

## 2006 VOLVO V70 OEM Service and Repair Workshop Manual

[Go to manual page](#)

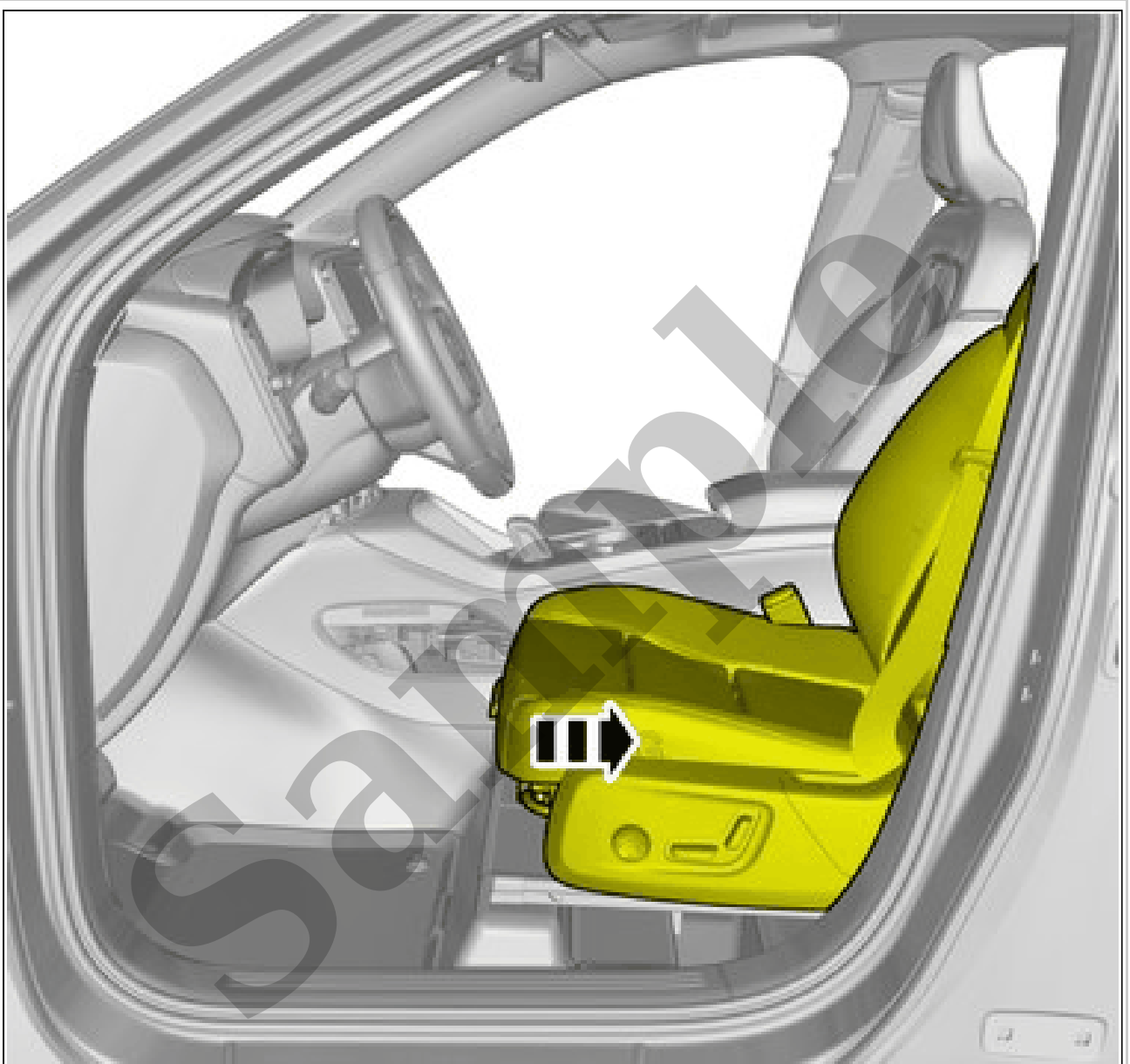


Courtesy of VOLVO CARS CORPORATION

Remove the screws.

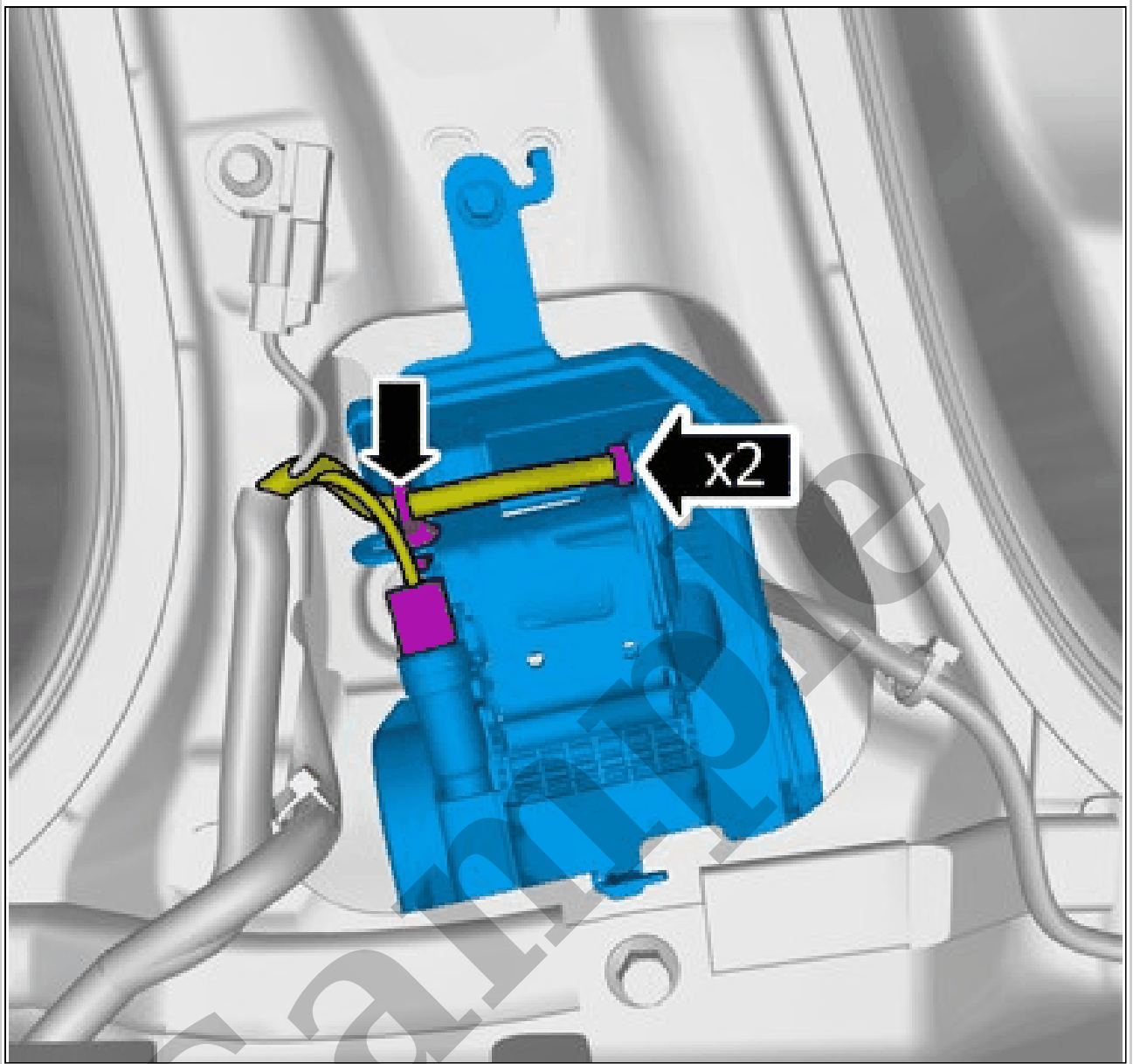
**NOTE:** Removal steps in this procedure may contain installation details.

Remove front seat. Refer to: FRONT SEAT



Courtesy of VOLVO CARS CORPORATION

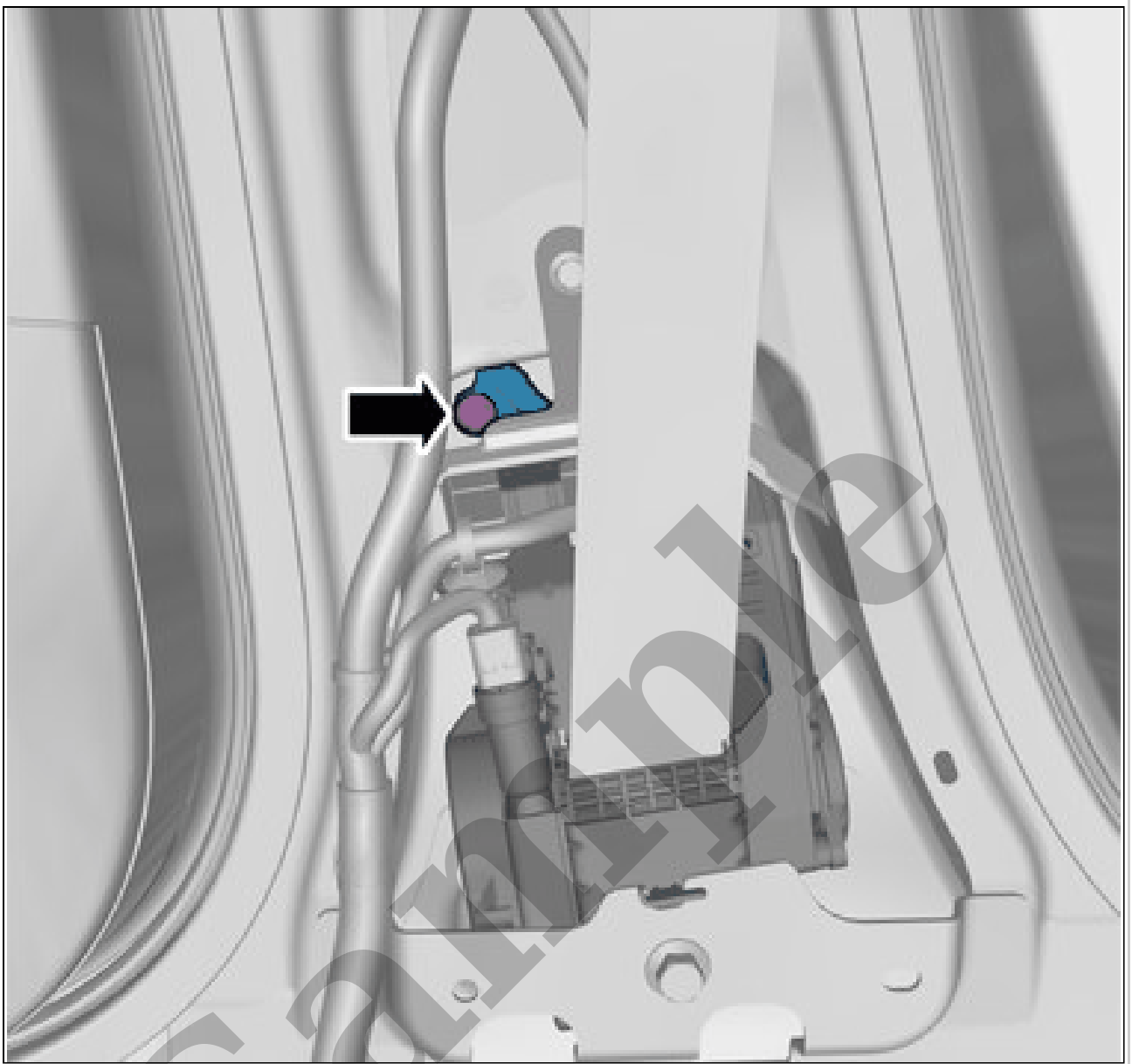
**NOTE:** Adjust the seat to its end position before it is lifted out of the vehicle.



Courtesy of VOLVO CARS CORPORATION

**NOTE:** *The number of connectors may vary depending on the vehicle's equipment level.*

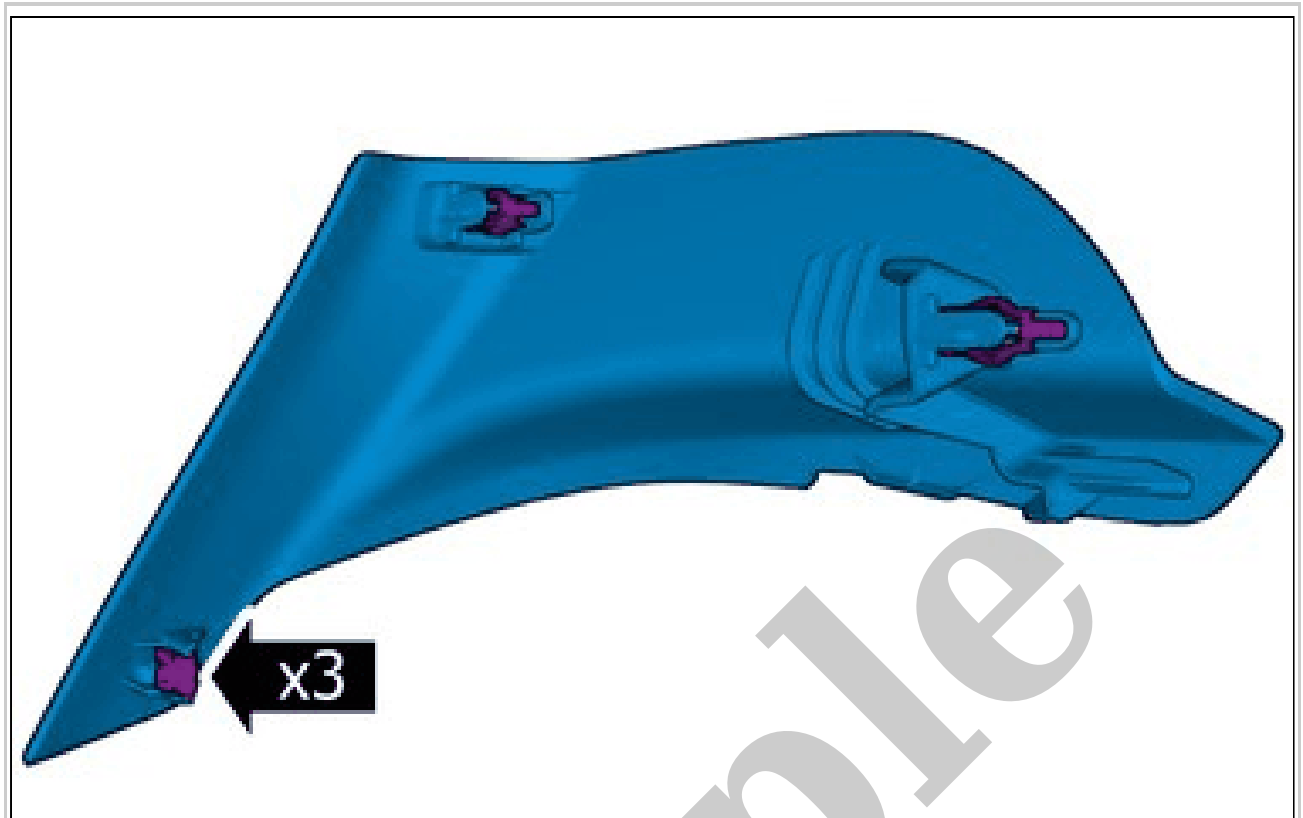
Remove the cable harness clips.  
Disconnect the connectors.



Courtesy of VOLVO CARS CORPORATION

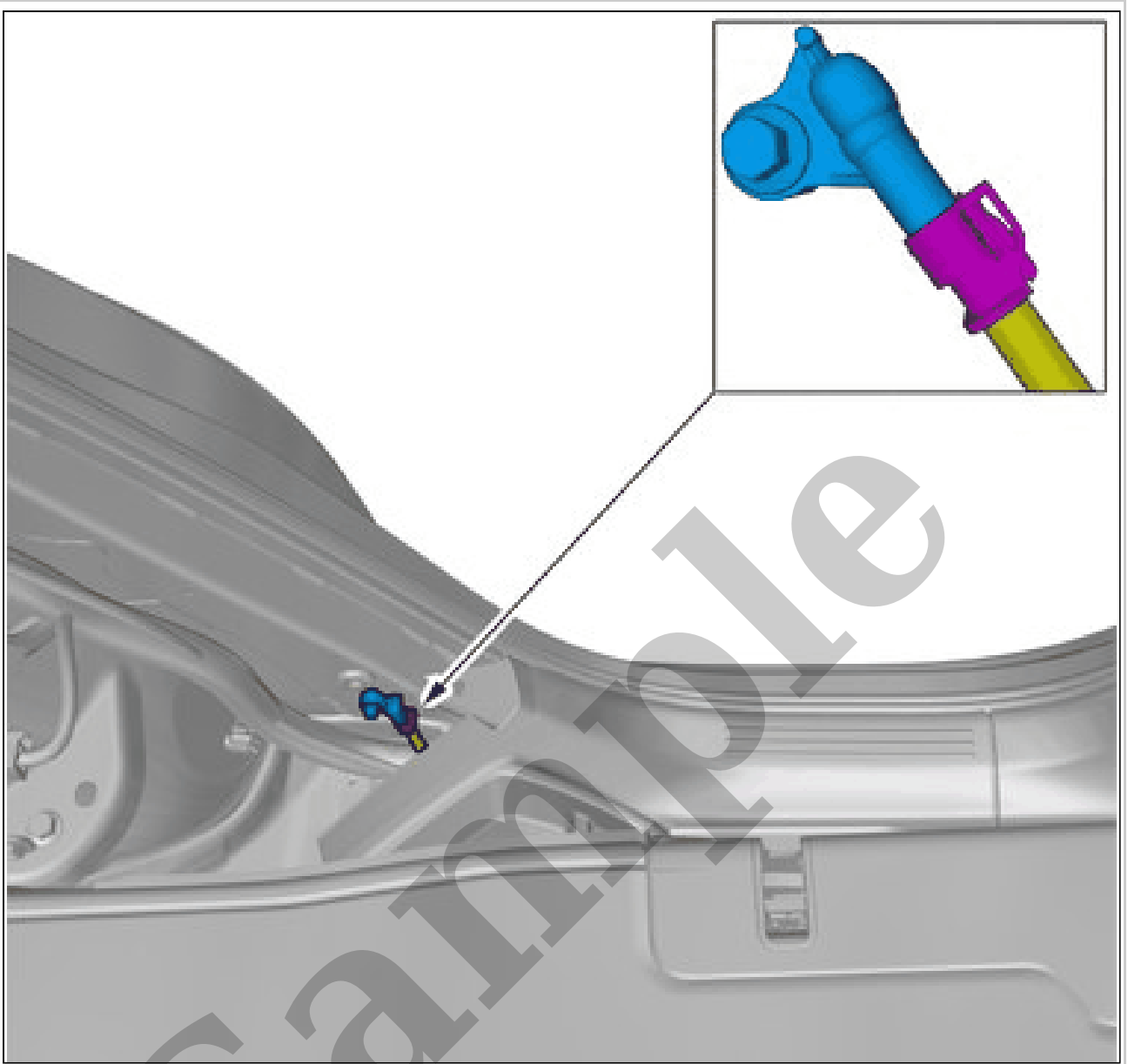
Remove the screw.

**Torque:** Impact sensor to body, 10Nm



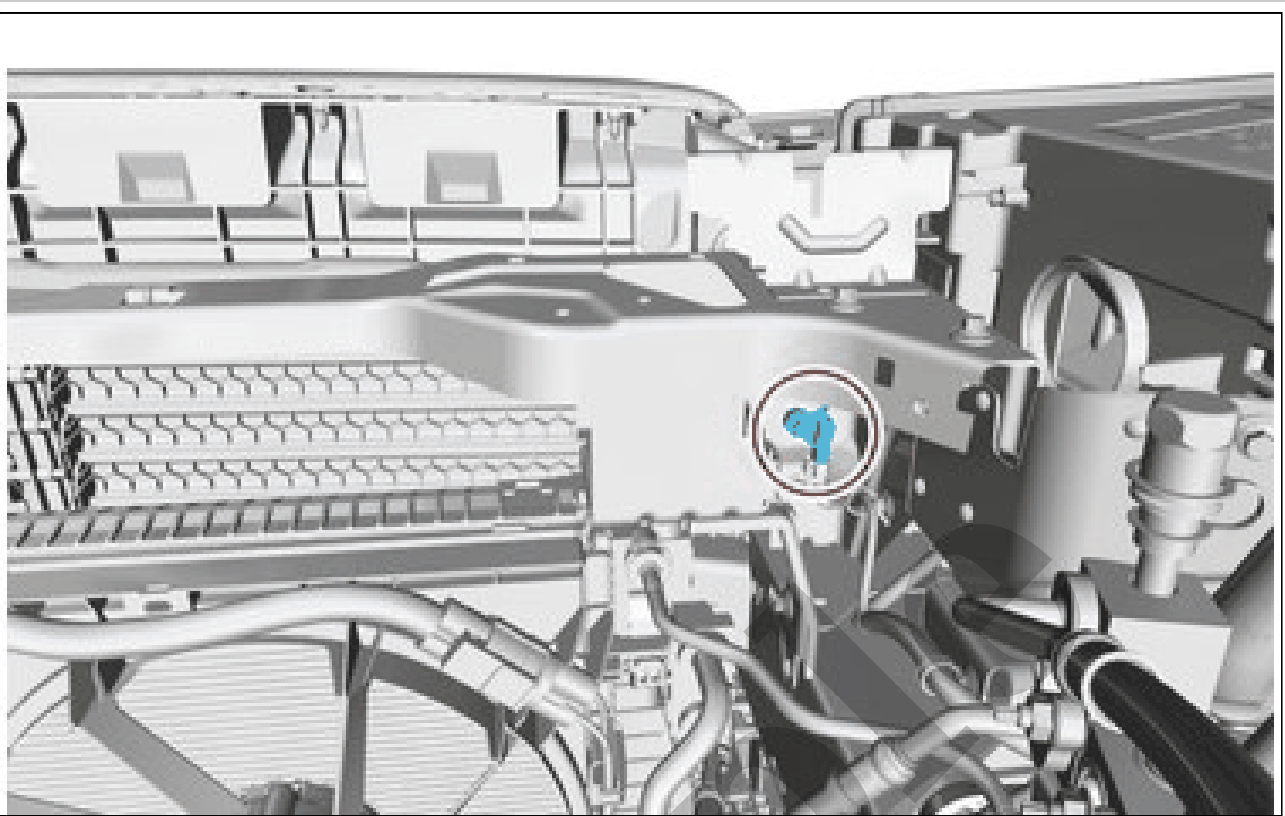
Courtesy of VOLVO CARS CORPORATION

**NOTE:** *The graphic shows the back of the component before removal.*



Courtesy of VOLVO CARS CORPORATION

Disconnect the connector.

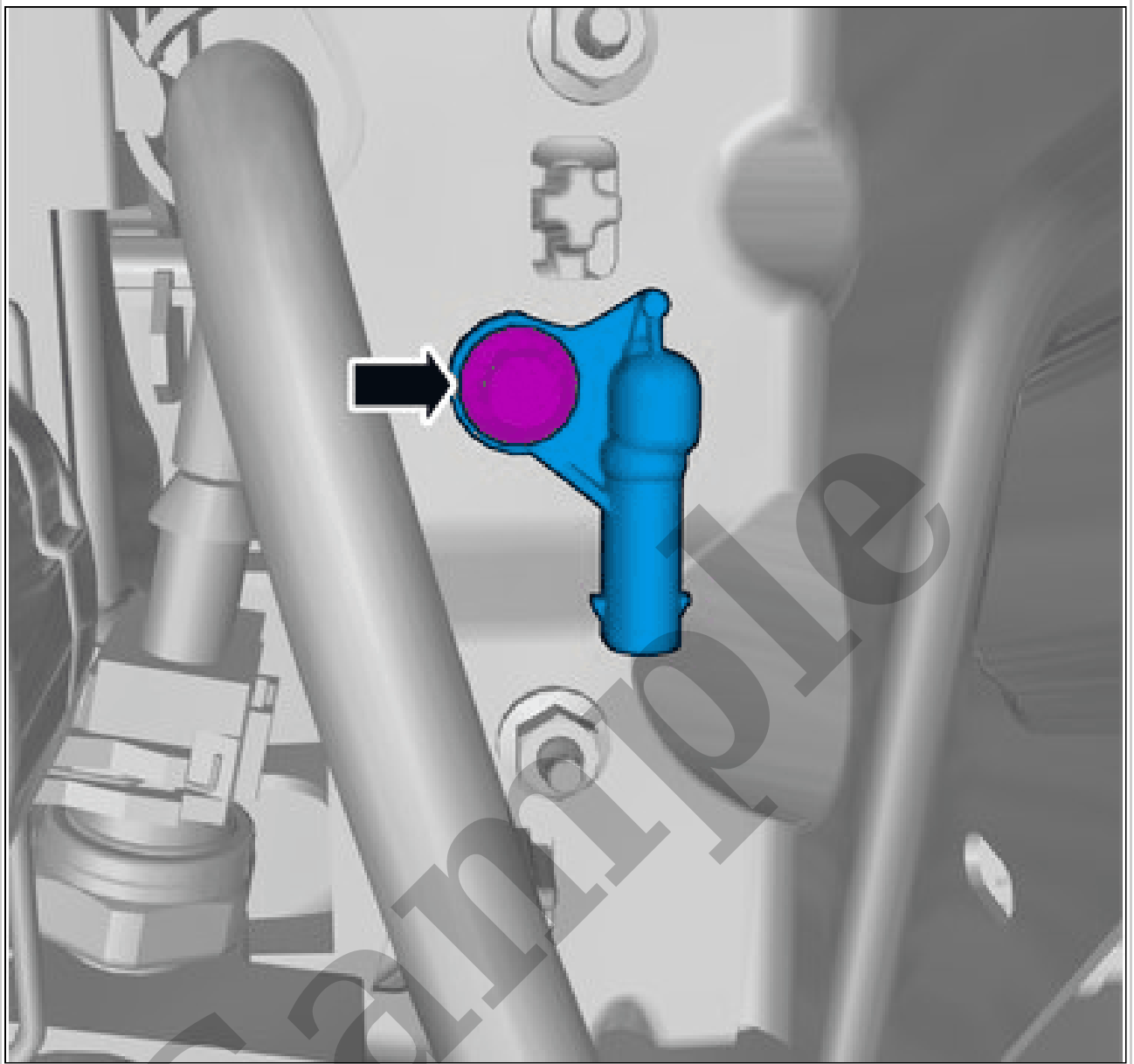


Courtesy of VOLVO CARS CORPORATION

**NOTE:** *Orientation view*

Right-hand side

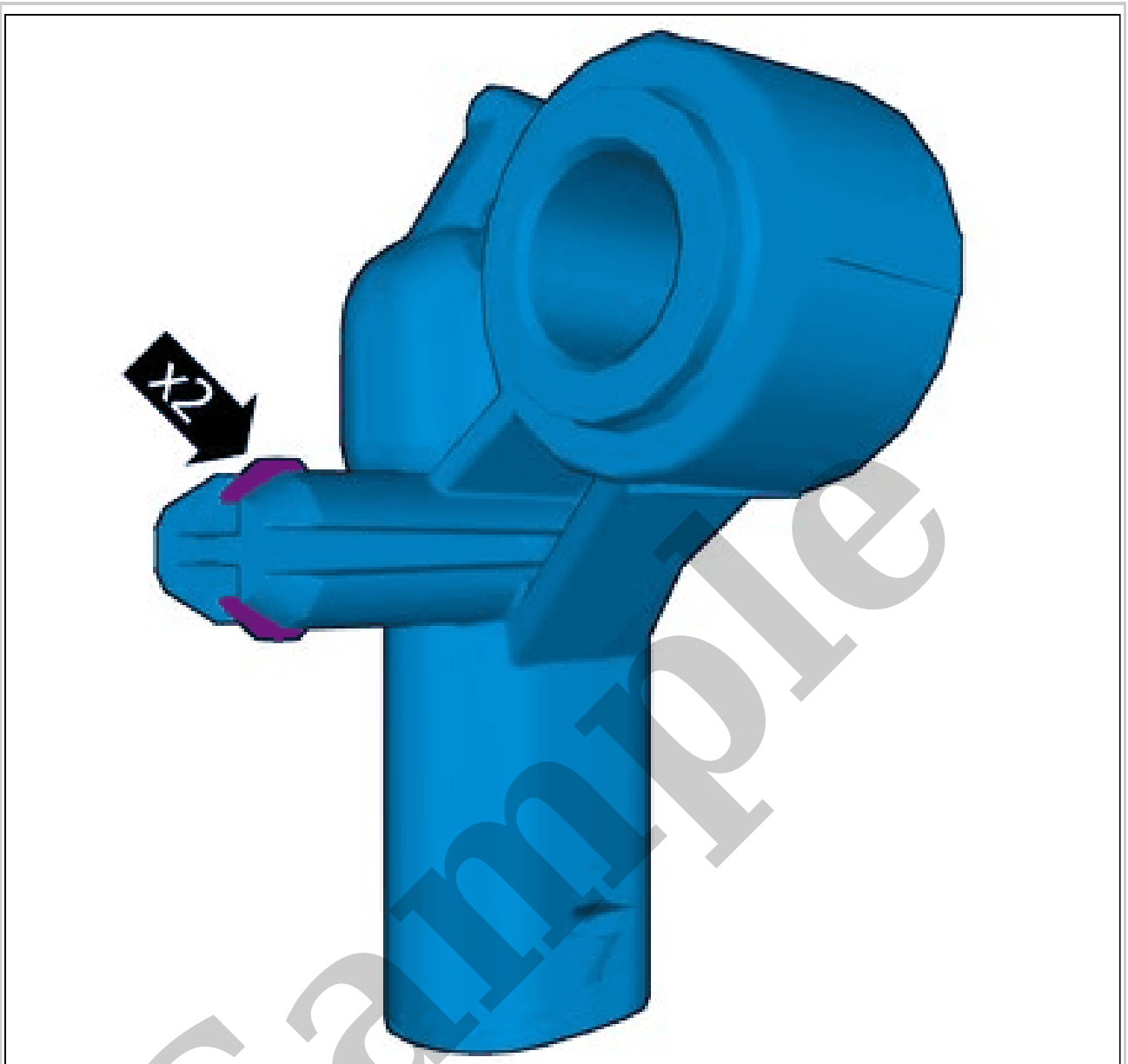




Courtesy of VOLVO CARS CORPORATION

Remove the screw.

**Torque:** Impact sensor to body, 10Nm



Courtesy of VOLVO CARS CORPORATION

**NOTE:** *The graphic shows the back of the component before removal.*