

Your Ultimate Source for OEM Repair Manuals

FactoryManuals.net is a great resource for anyone who wants to save money on repairs by doing their own work. The manuals provide detailed instructions and diagrams that make it easy to understand how to fix a vehicle.

2006 VOLVO S60 OEM Service and Repair Workshop Manual

[Go to manual page](#)

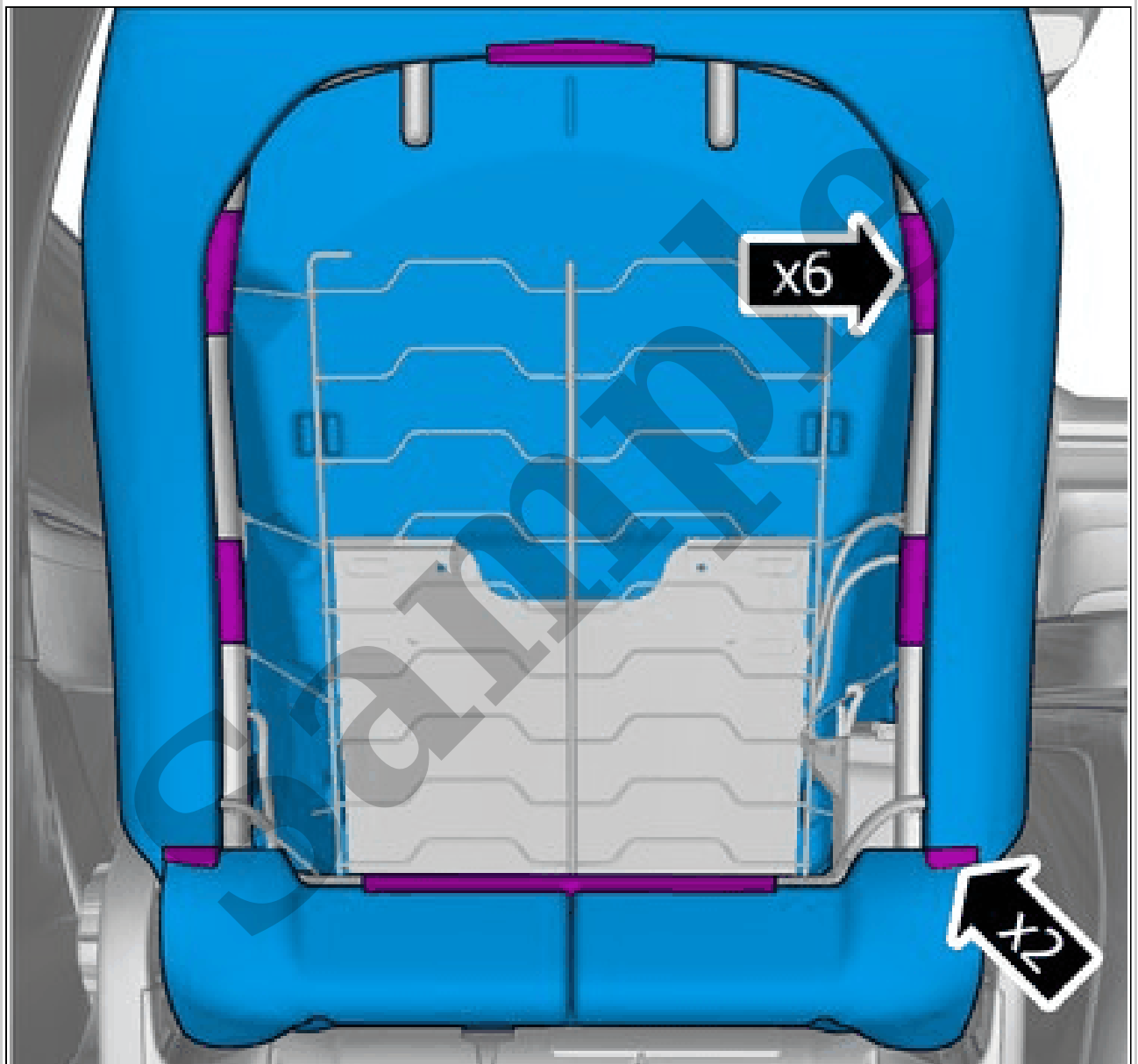


Courtesy of VOLVO CARS CORPORATION

NOTE: *The graphic shows the back of the component before removal.*

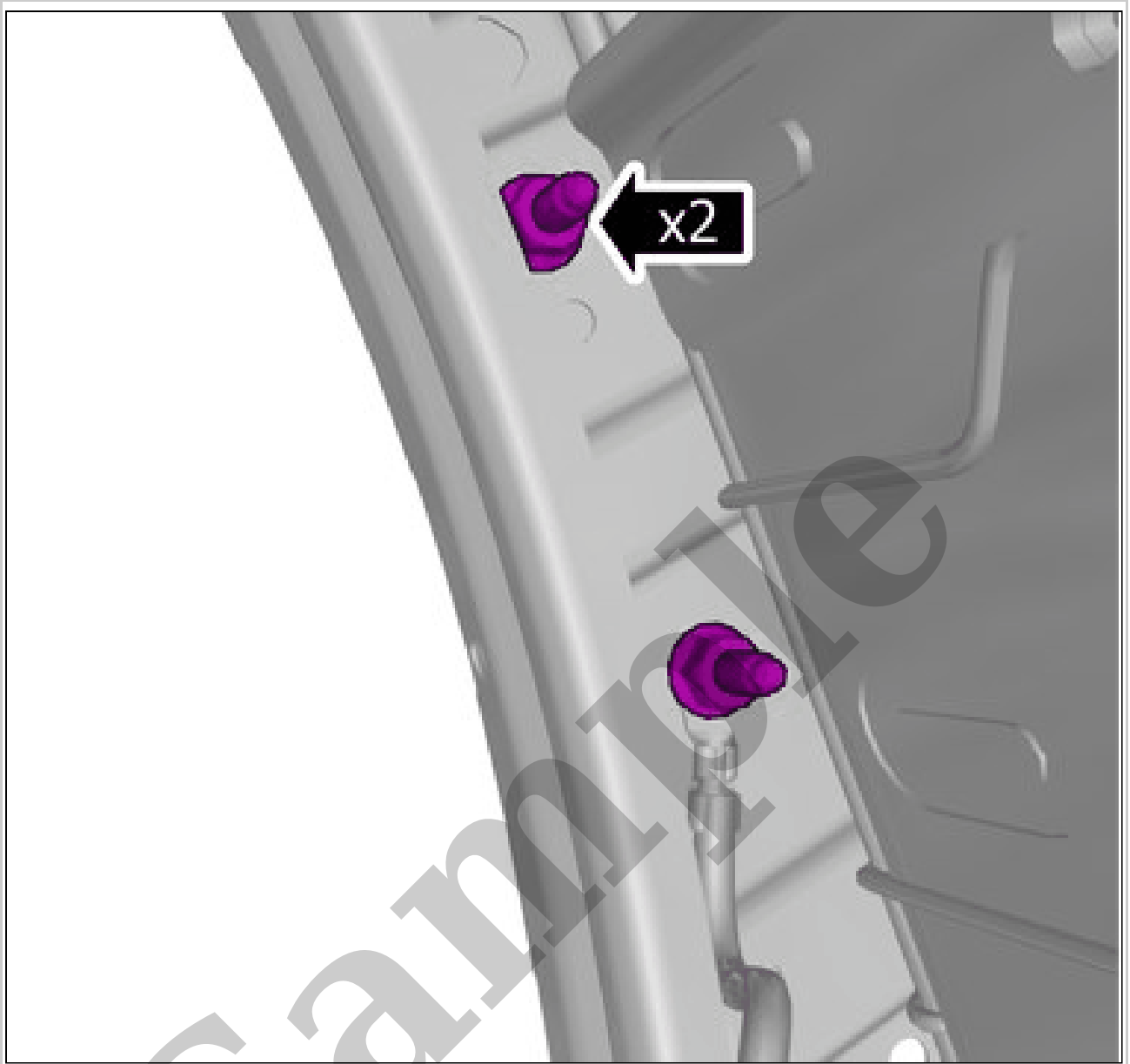
WARNING: The supplemental restraint system (SRS) is active for a certain length of time after the power supply has been disconnected. Wait for a minimum of 30 seconds before disconnecting or removing any SRS components.

Remove back rest, rear panel. Refer to: BACK REST REAR PANEL



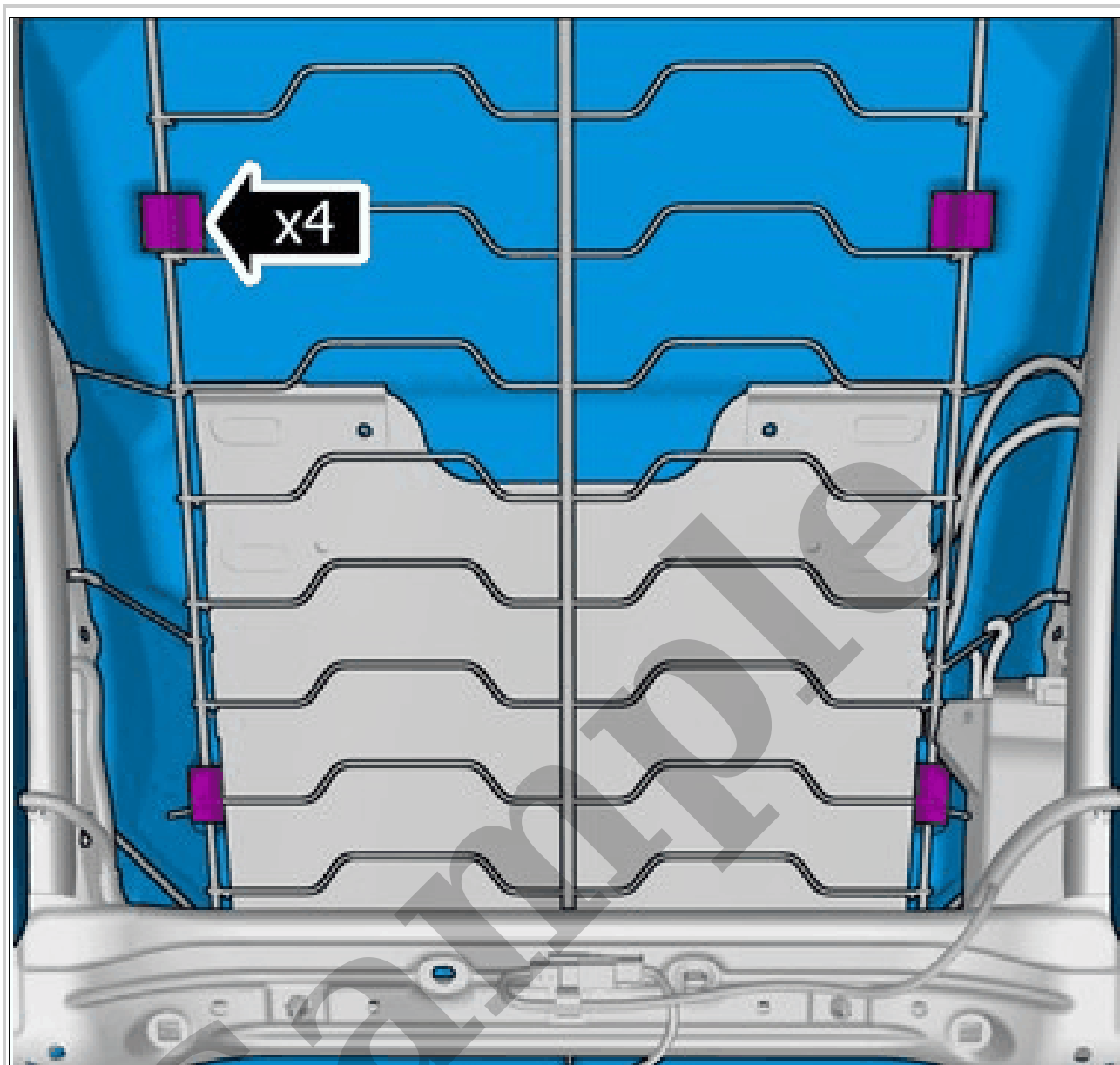
Courtesy of VOLVO CARS CORPORATION

Release the catches.



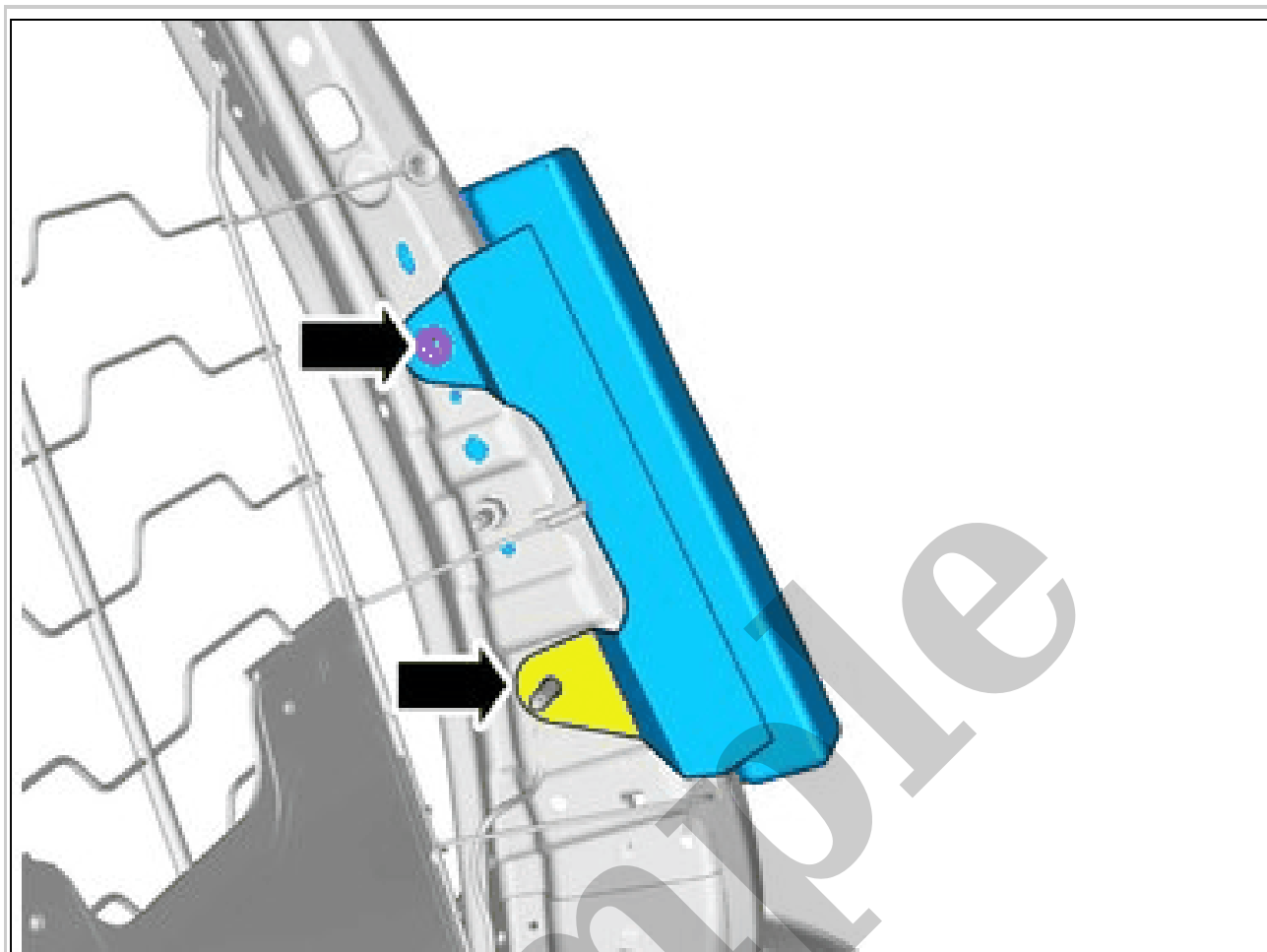
Courtesy of VOLVO CARS CORPORATION

Torque: Air bag to seat (SIPS), 7Nm
Remove the nuts.



Courtesy of VOLVO CARS CORPORATION

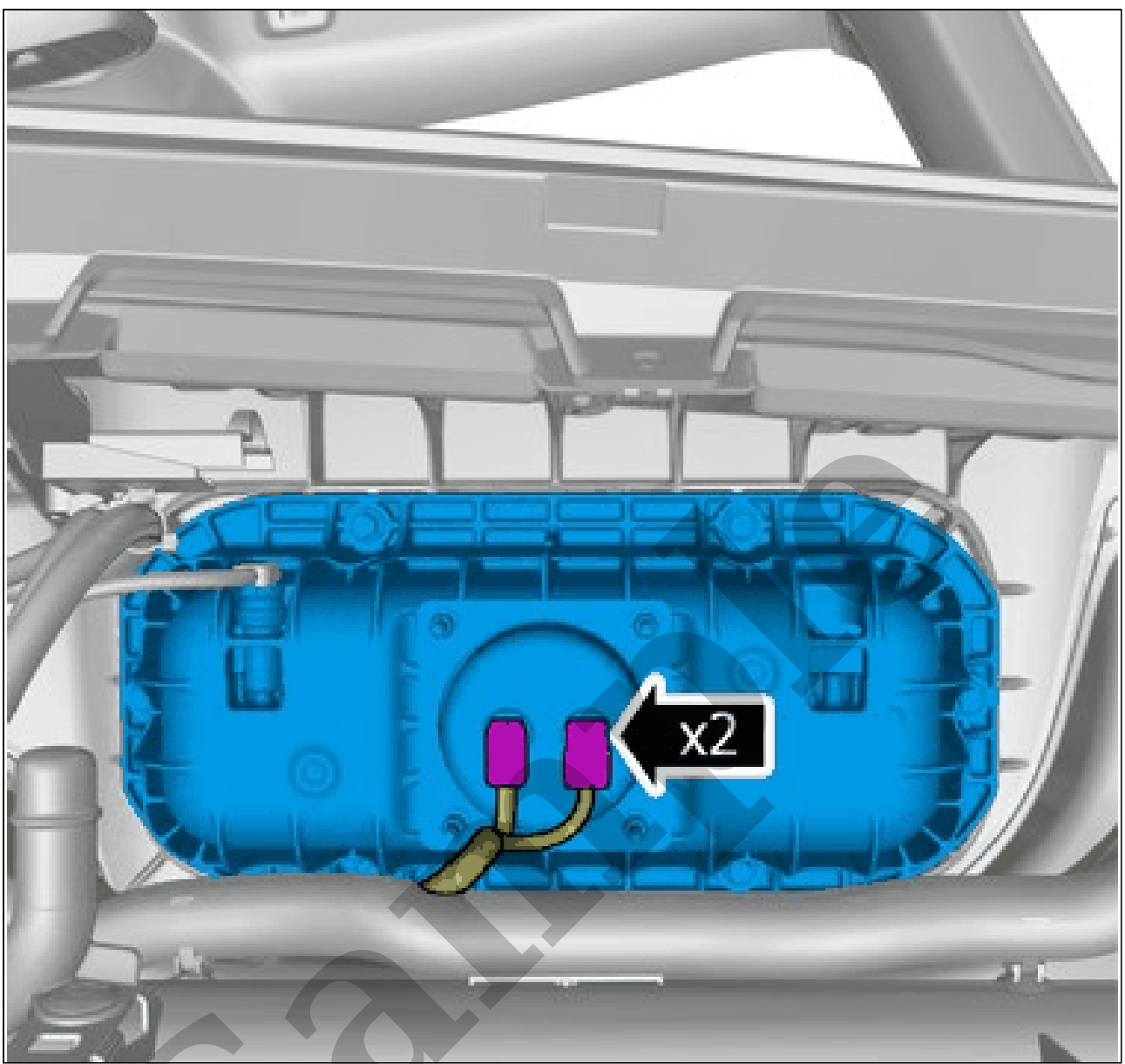
Special Tool: 115 8962 CRIMP PLIERS
Remove the fasteners.



Courtesy of VOLVO CARS CORPORATION

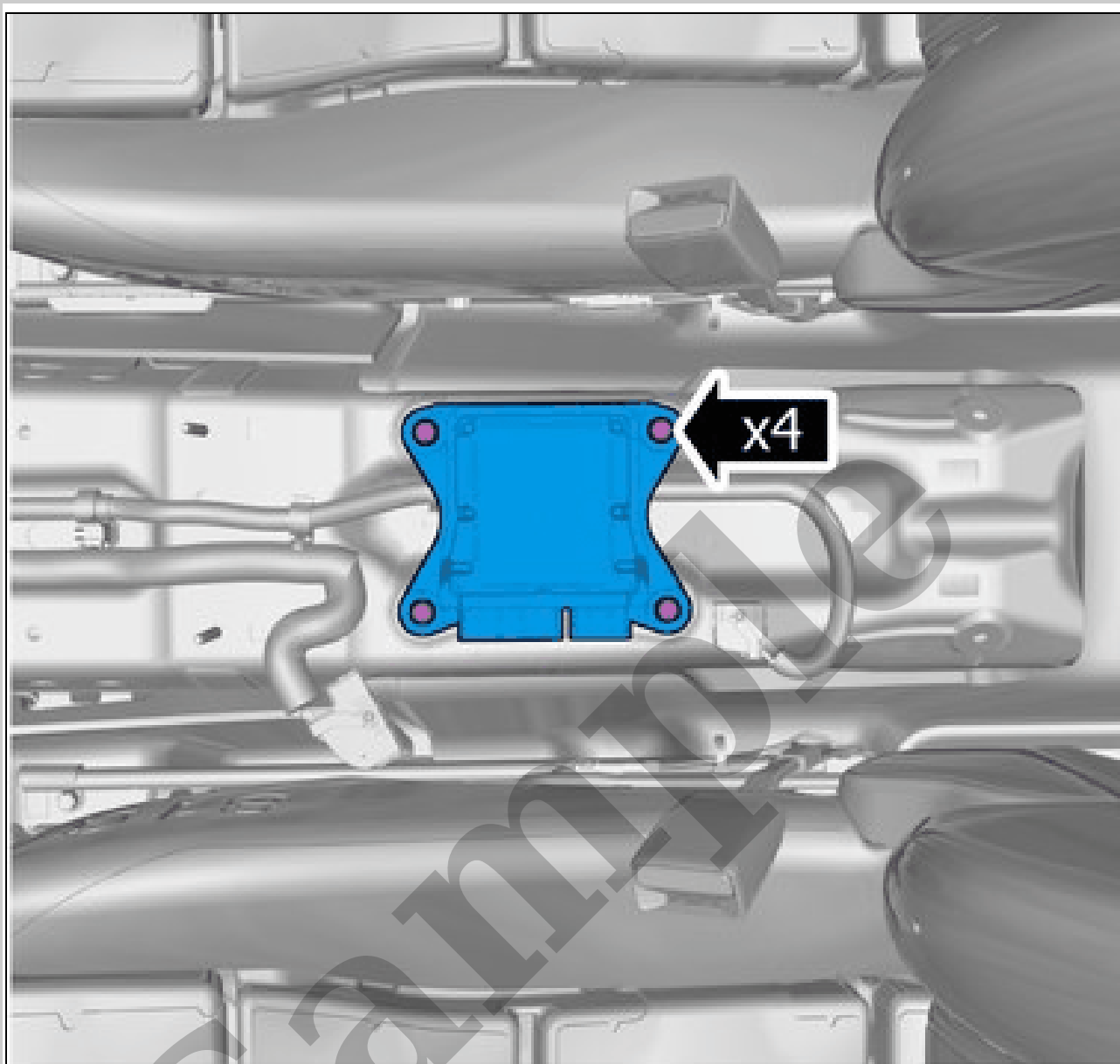
CAUTION: *The clip should always be replaced during removal.*

Remove the clip.
Fold marked part aside.
ALL VEHICLES



Courtesy of VOLVO CARS CORPORATION

Disconnect the connectors.



Courtesy of VOLVO CARS CORPORATION

Remove the screws.

Remove the marked part.

Torque: Supplemental Restraint System Module (SRS), to Body, 10Nm

INSTALLATION

To install, reverse the removal procedure.

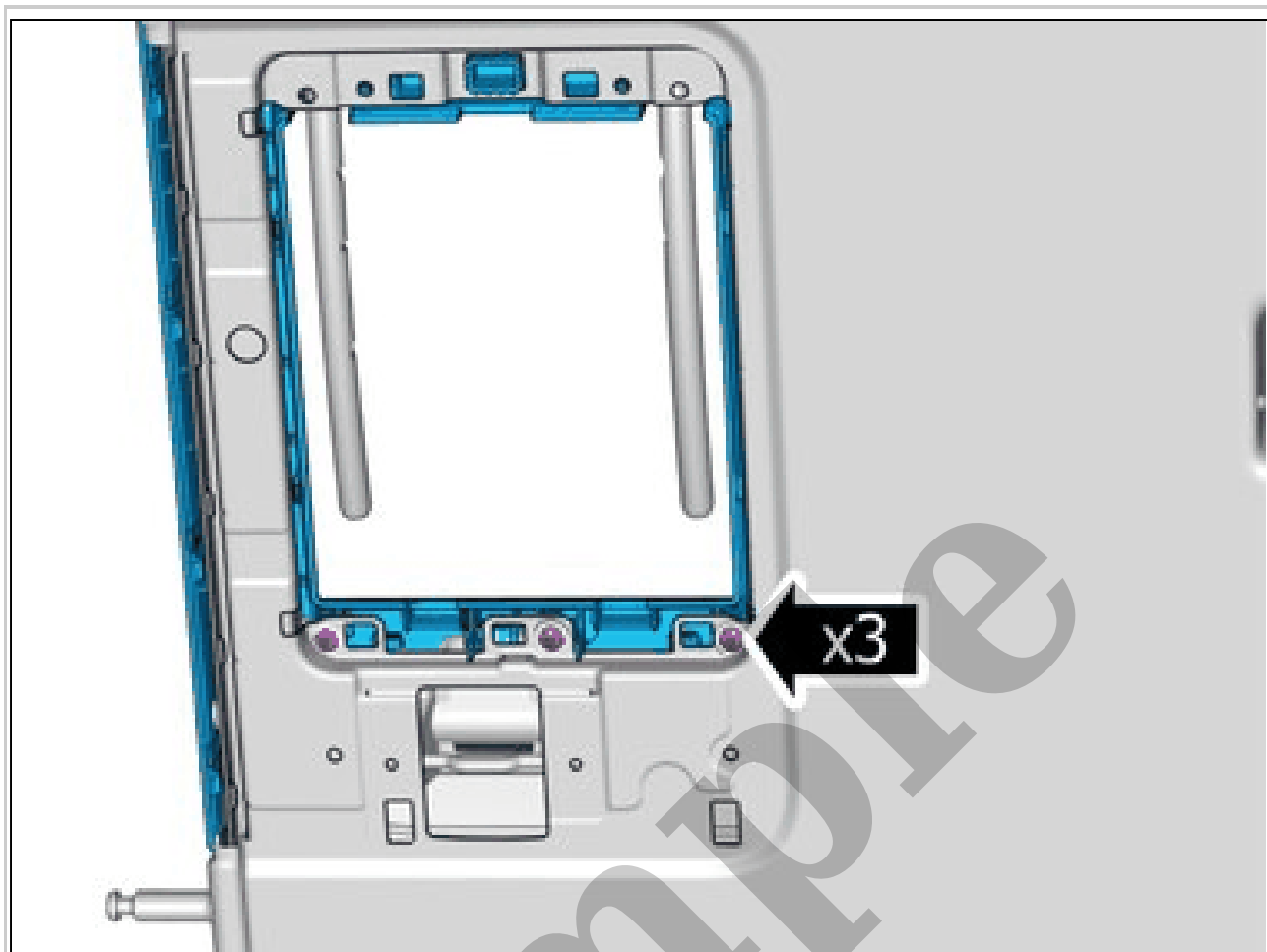
NOTE: *The following steps are only necessary when installing a new component.*

Order and download the appropriate software according to: VIDA/Software/Hardware Changes
Initiate according to: Diagnostics / Components / Control Modules / Supplemental Restraint System
Module (SRS) / Diagnostics Sequences / Supplemental Restraint System (SRS) yaw rate offset



Courtesy of VOLVO CARS CORPORATION

Loosen the marked detail.



Courtesy of VOLVO CARS CORPORATION

Remove the screws.