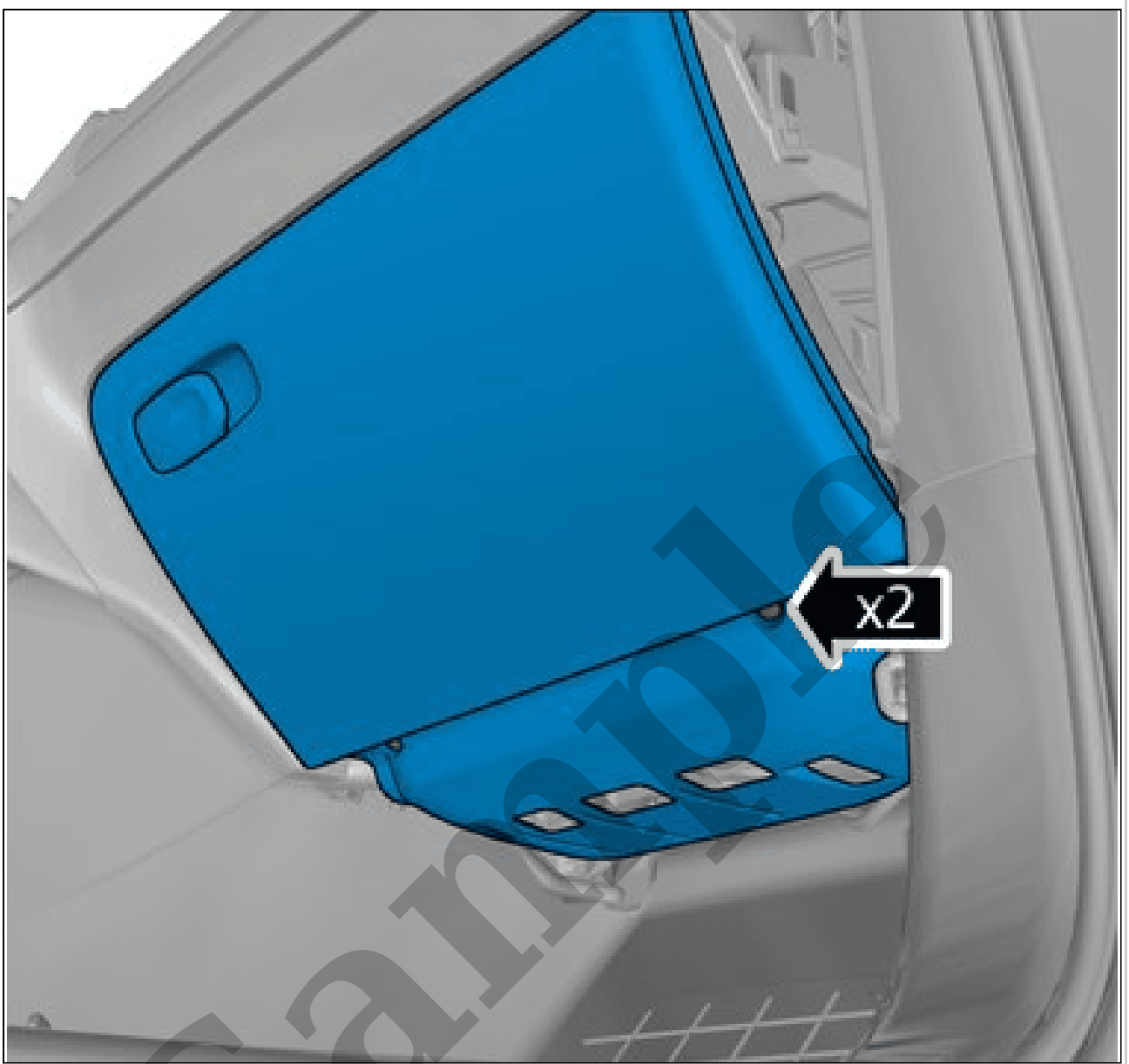


Your Ultimate Source for OEM Repair Manuals

FactoryManuals.net is a great resource for anyone who wants to save money on repairs by doing their own work. The manuals provide detailed instructions and diagrams that make it easy to understand how to fix a vehicle.

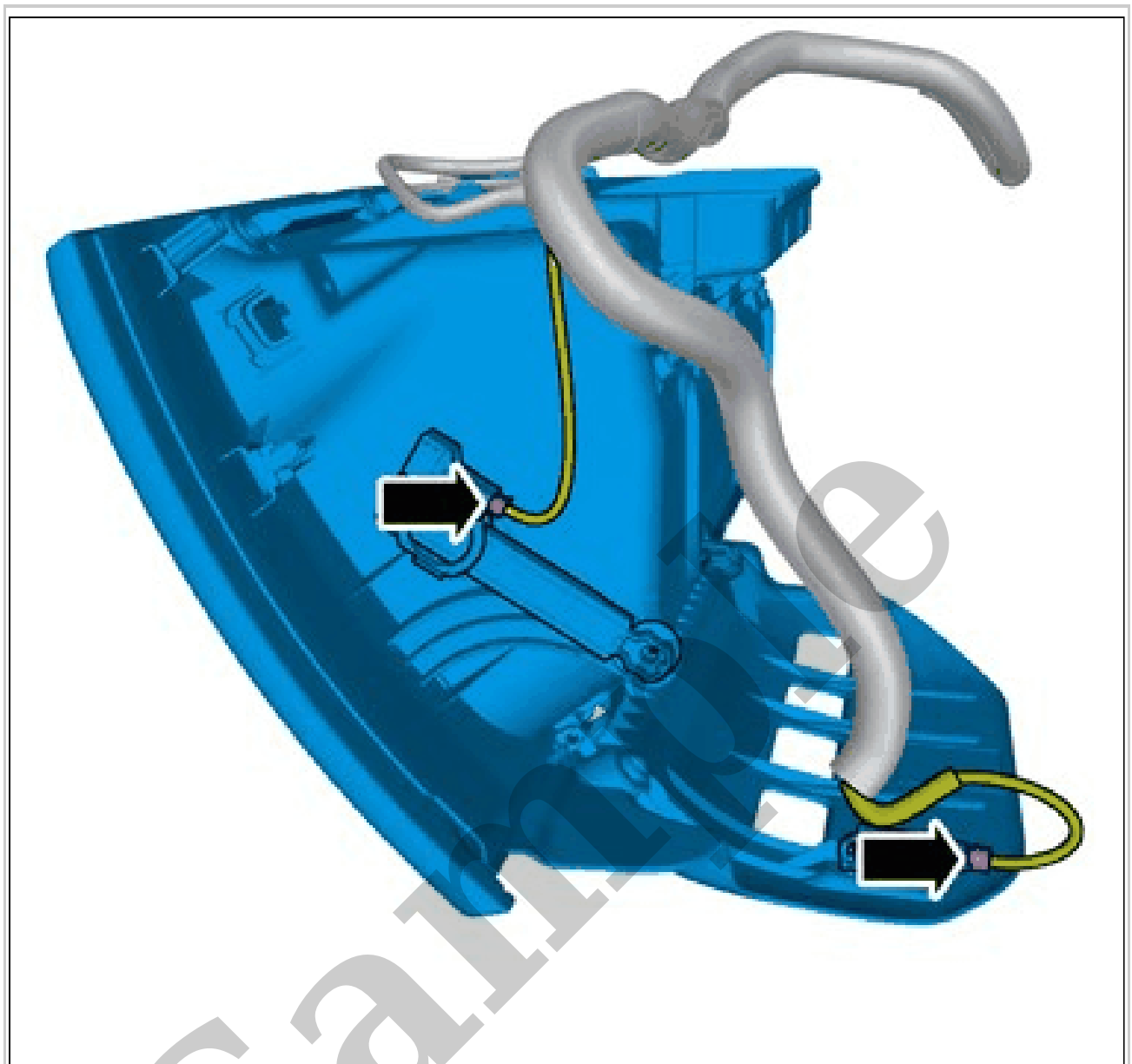
2006 VOLVO S40 OEM Service and Repair Workshop Manual

[Go to manual page](#)



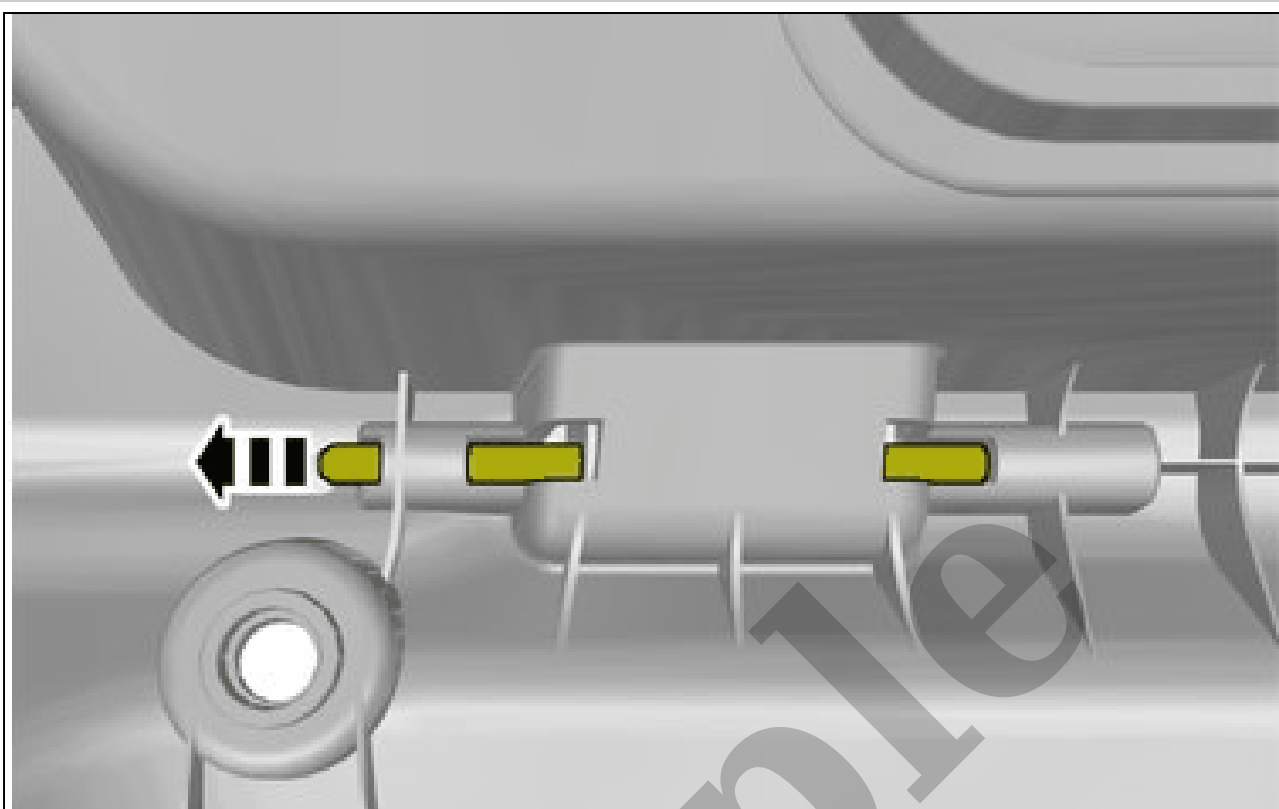
Courtesy of VOLVO CARS CORPORATION

Remove the screws.



Courtesy of VOLVO CARS CORPORATION

Disconnect the connectors.



Courtesy of VOLVO CARS CORPORATION

Remove the marked part.
On both sides.

Sample



Courtesy of VOLVO CARS CORPORATION

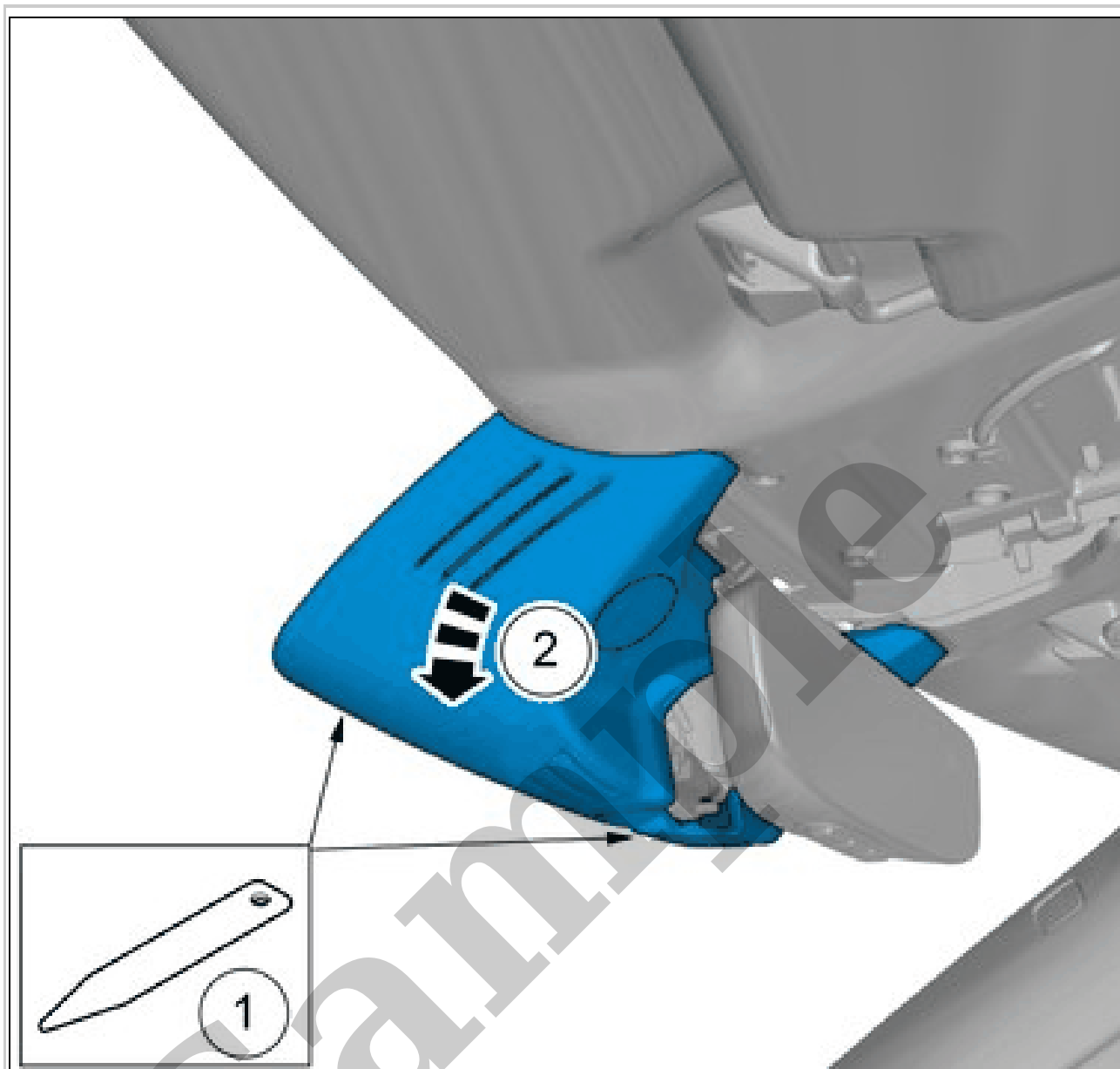
Remove the marked part.

GLOVE COMPARTMENT LID > GLOVE COMPARTMENT LID [2018-2022] > INSTALLATION

To install, reverse the removal procedure.

INNER REAR VIEW MIRROR > INNER REAR VIEW MIRROR [2018-2022] > REMOVAL

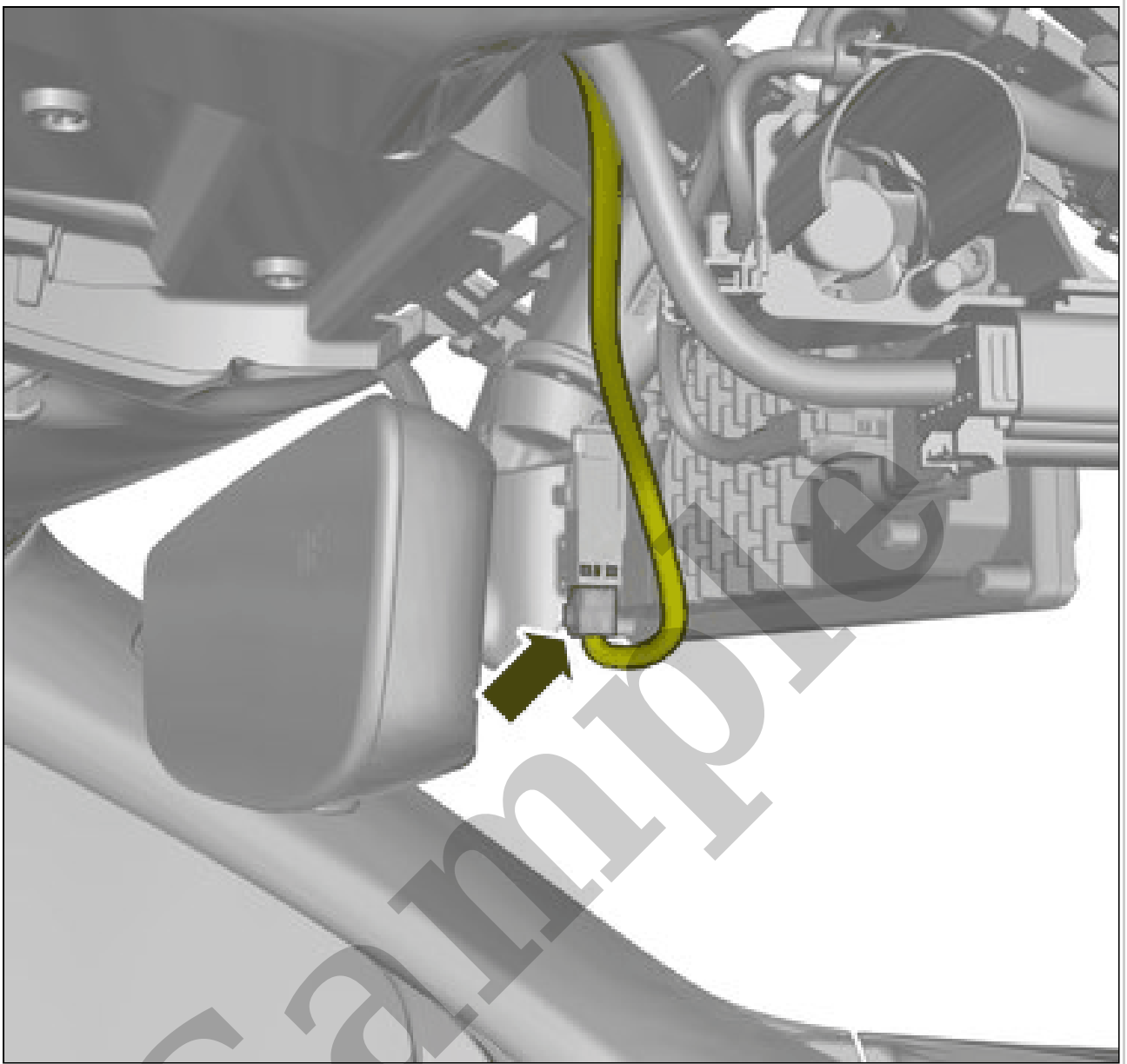
Set the vehicle to Inactive mode, described in user mode. Refer to: USAGE MODE



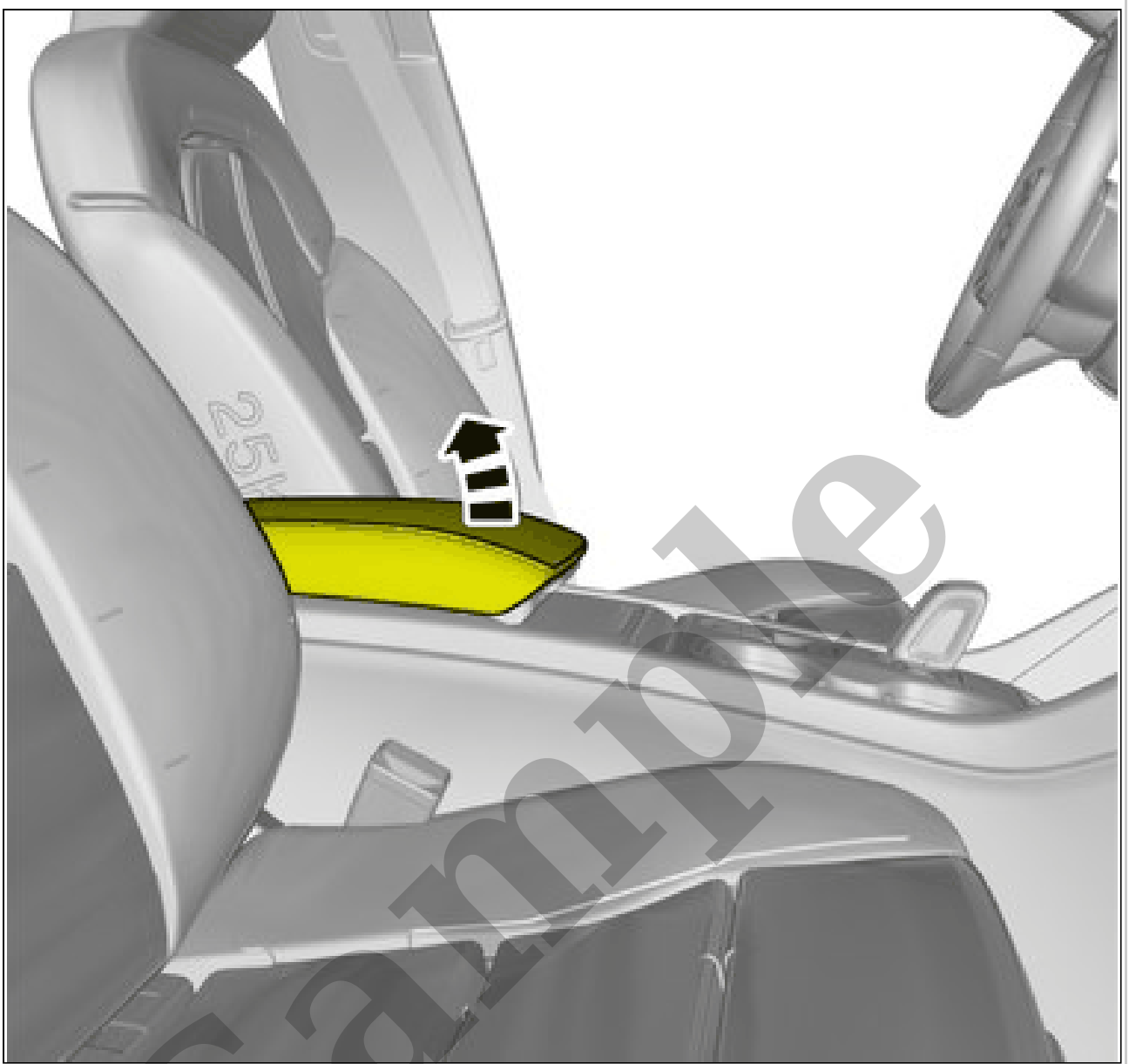
Courtesy of VOLVO CARS CORPORATION

Remove the marked part.

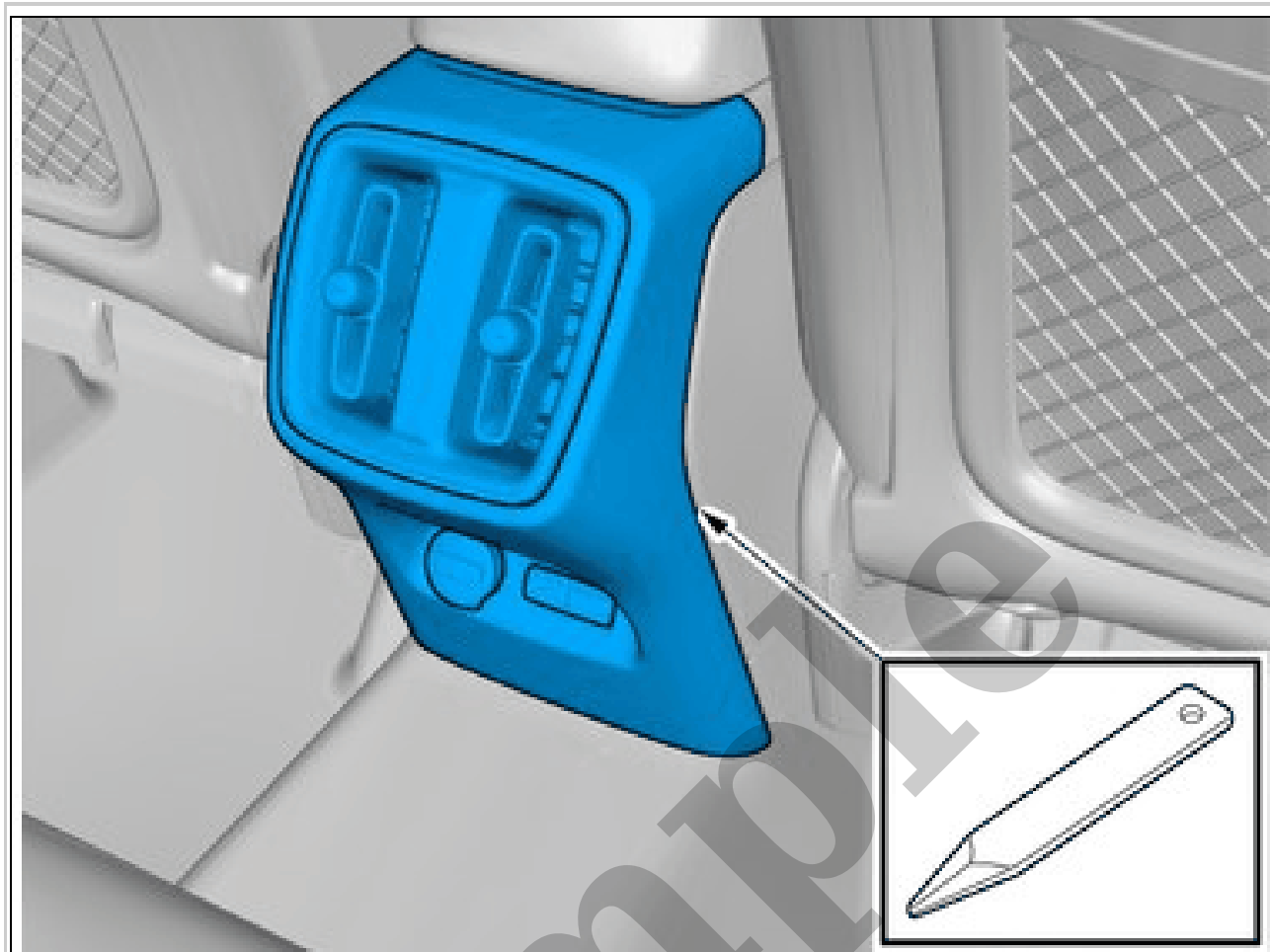
CAUTION: *The number of connectors, cables and cable ties may vary depending on the vehicle specification.*



Courtesy of VOLVO CARS CORPORATION



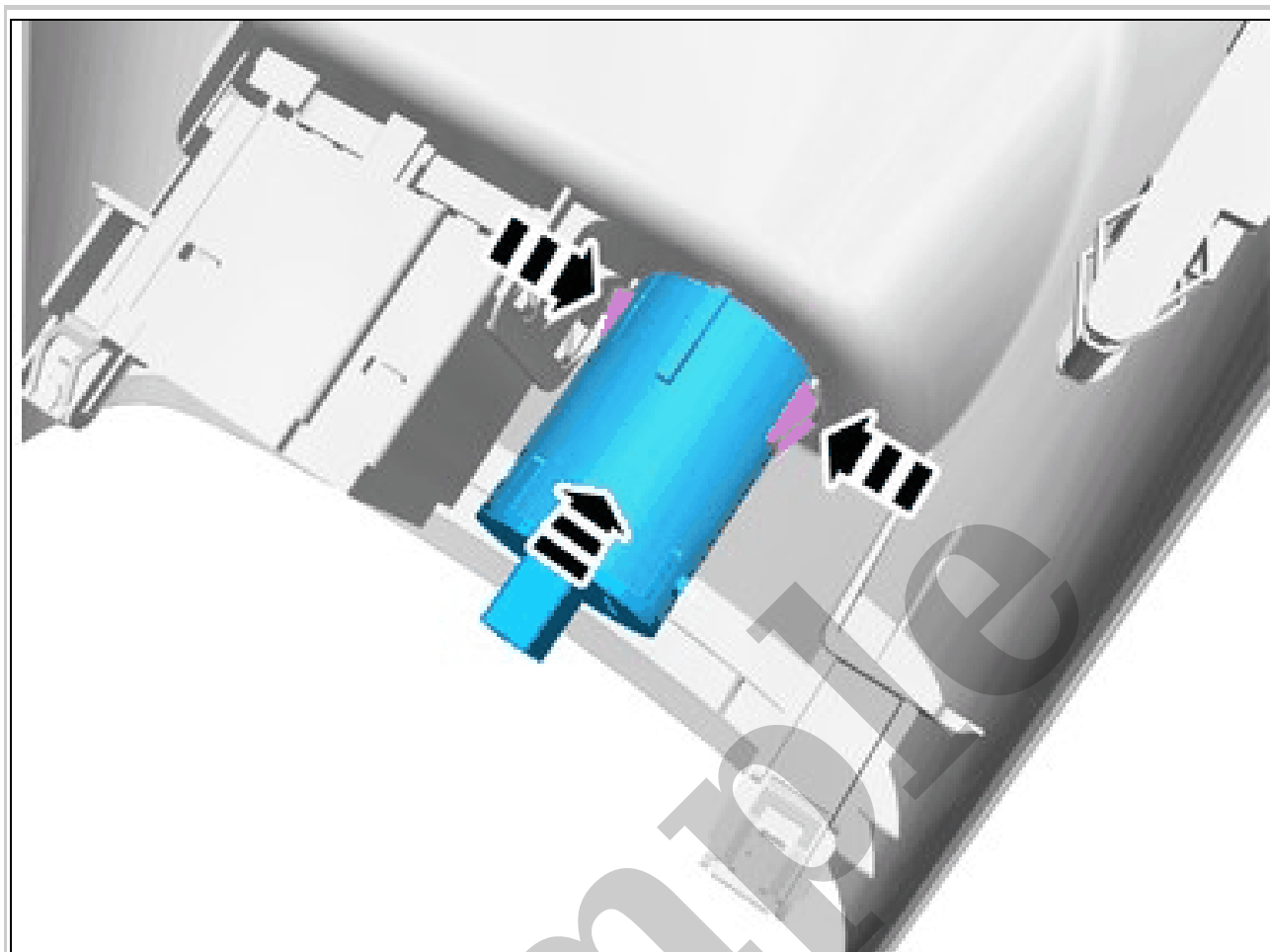
Courtesy of VOLVO CARS CORPORATION



Courtesy of VOLVO CARS CORPORATION

Loosen the marked detail.

Use: Interior trim remover



Courtesy of VOLVO CARS CORPORATION

Depress the locking devices.
Remove the marked part.

INSTALLATION

To install, reverse the removal procedure.

SUN VISOR > SUN VISOR [2018-2022] > REMOVAL

NOTE: *Removal steps in this procedure may contain installation details.*