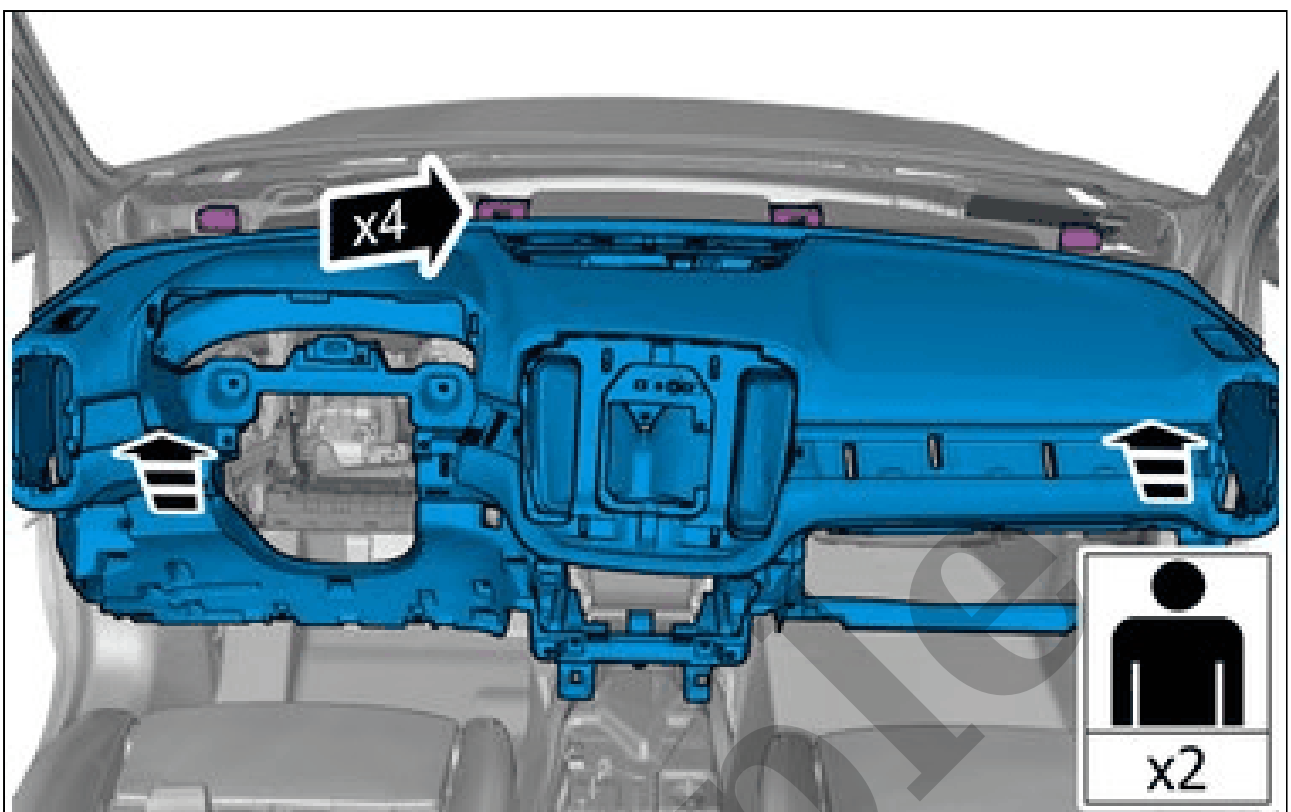


# Your Ultimate Source for OEM Repair Manuals

FactoryManuals.net is a great resource for anyone who wants to save money on repairs by doing their own work. The manuals provide detailed instructions and diagrams that make it easy to understand how to fix a vehicle.

## 2006 VOLVO C30 OEM Service and Repair Workshop Manual

[Go to manual page](#)

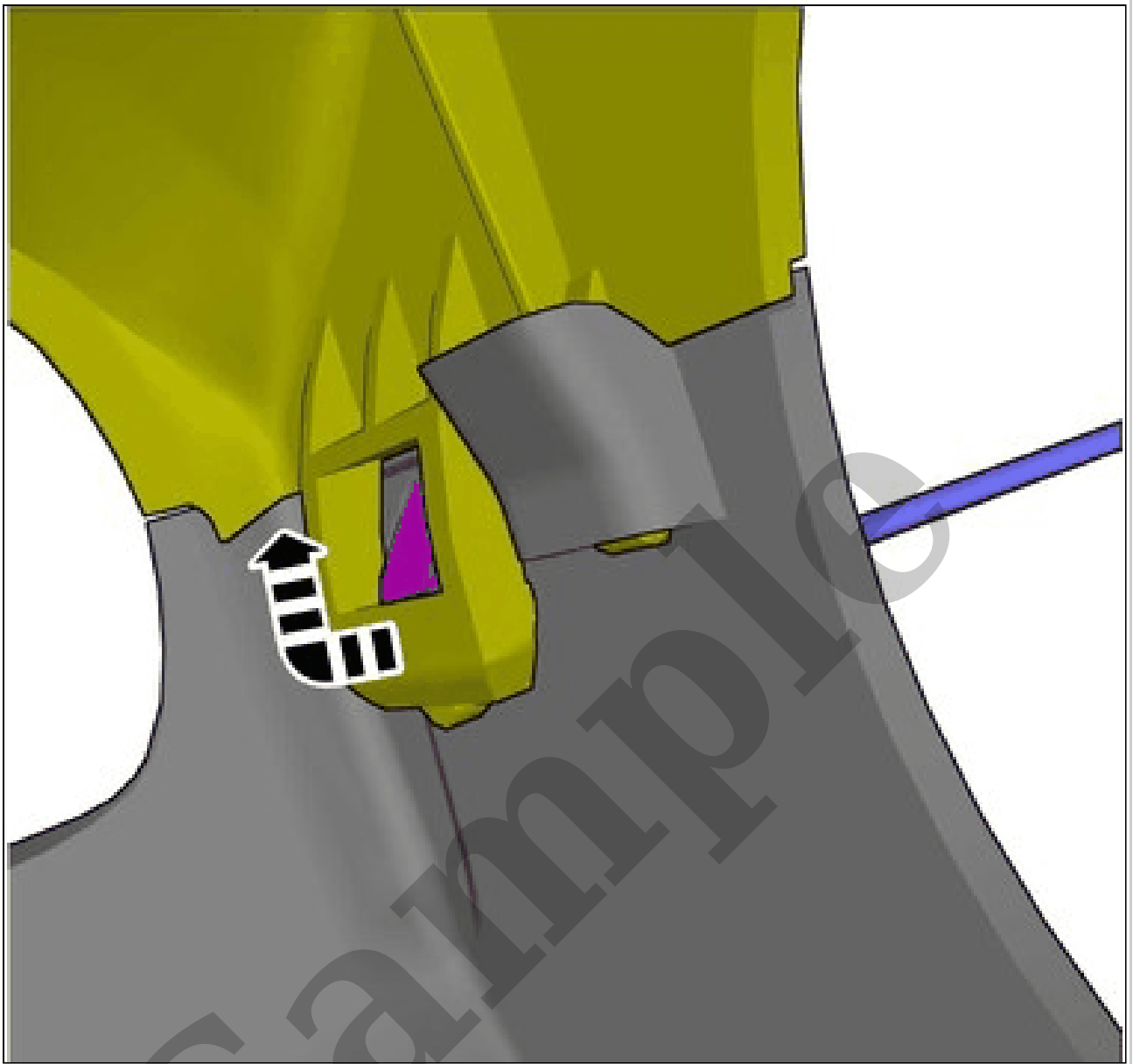


Courtesy of VOLVO CARS CORPORATION

**CAUTION:** Make sure that the wiring harness does not catch.

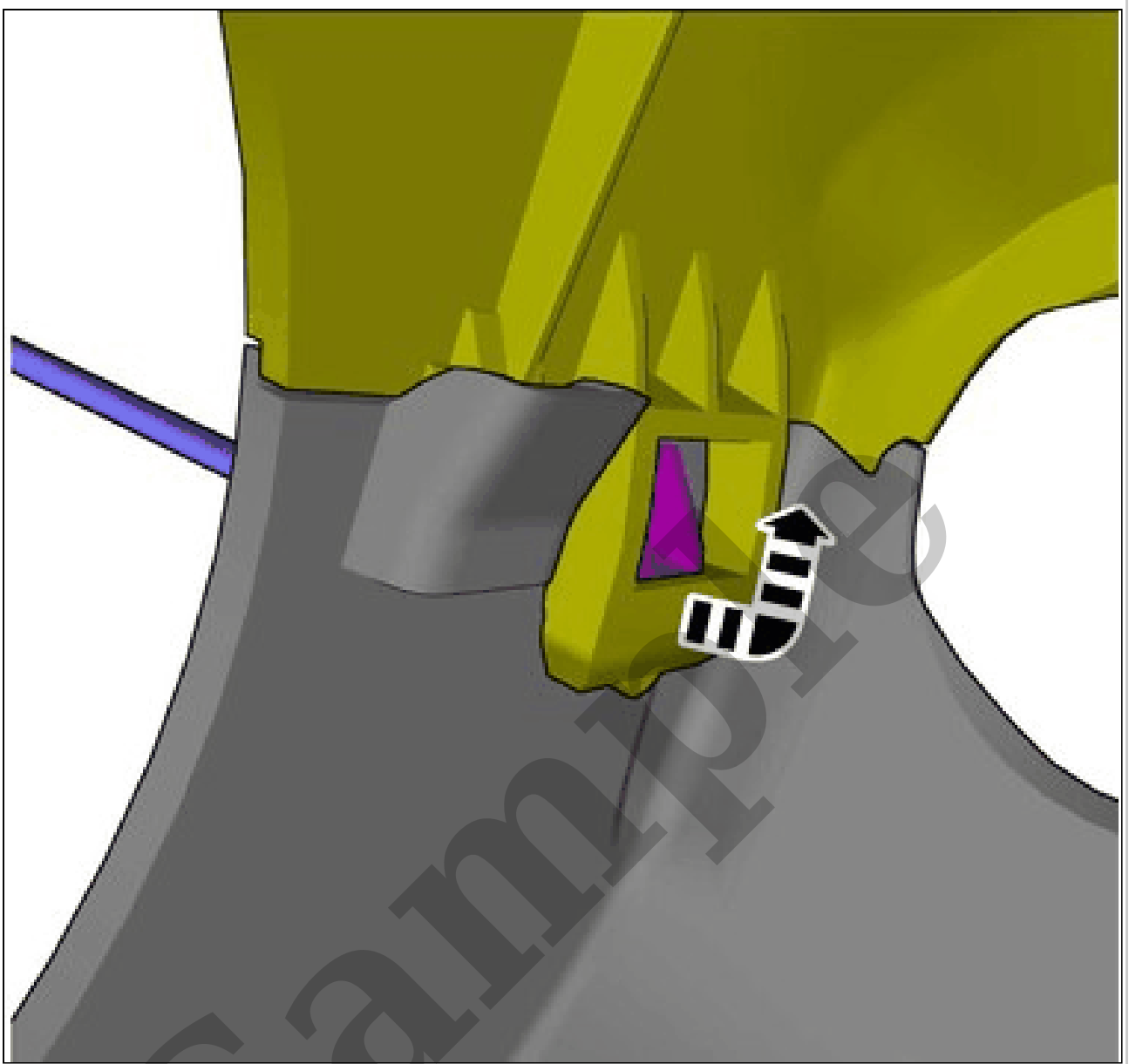
**NOTE:** This step requires the aid of another technician.

Install the marked component.



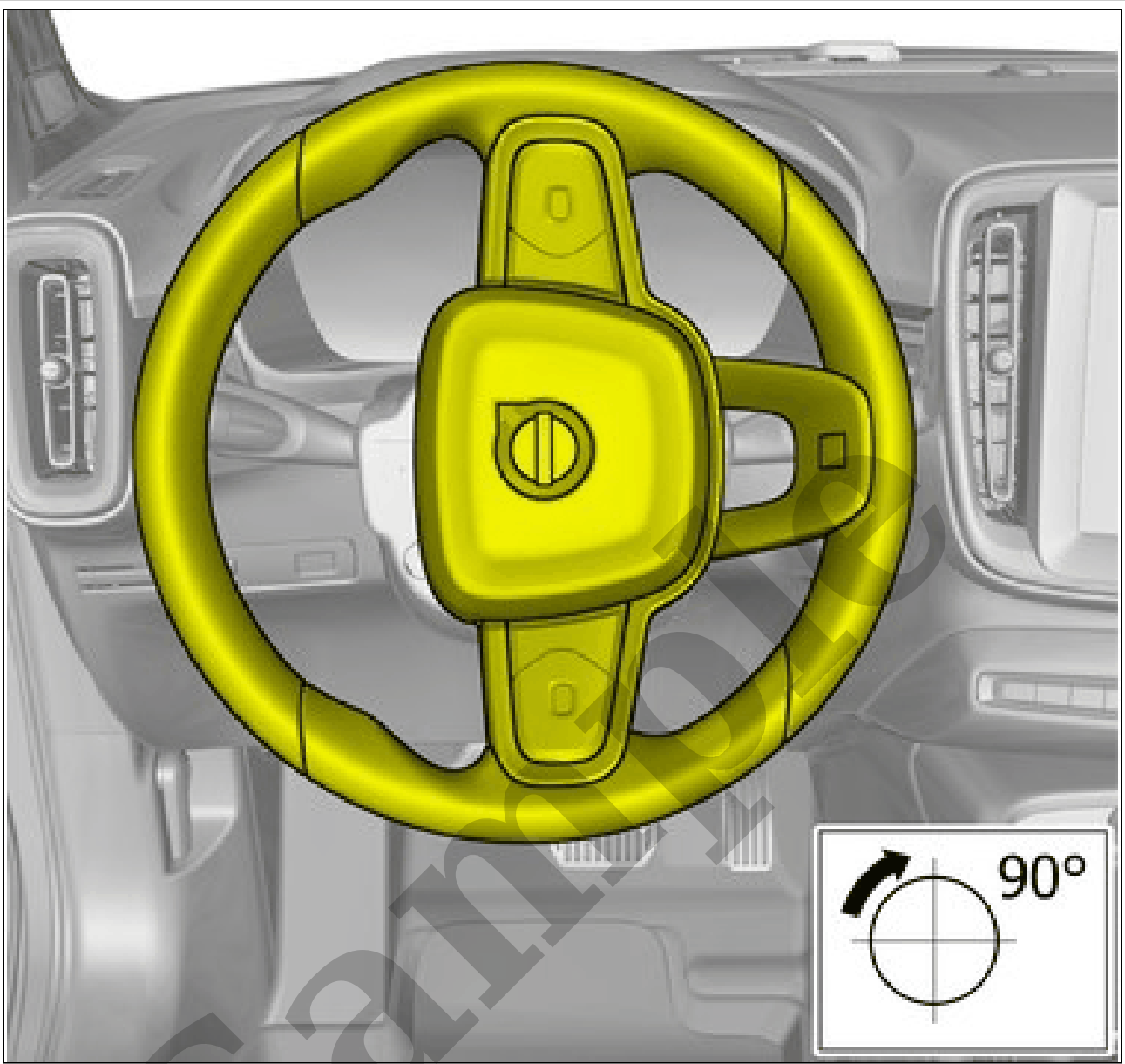
Courtesy of VOLVO CARS CORPORATION

**NOTE:** *The graphic shows the back of the component before removal.*



Courtesy of VOLVO CARS CORPORATION

**NOTE:** *The graphic shows the back of the component before removal.*

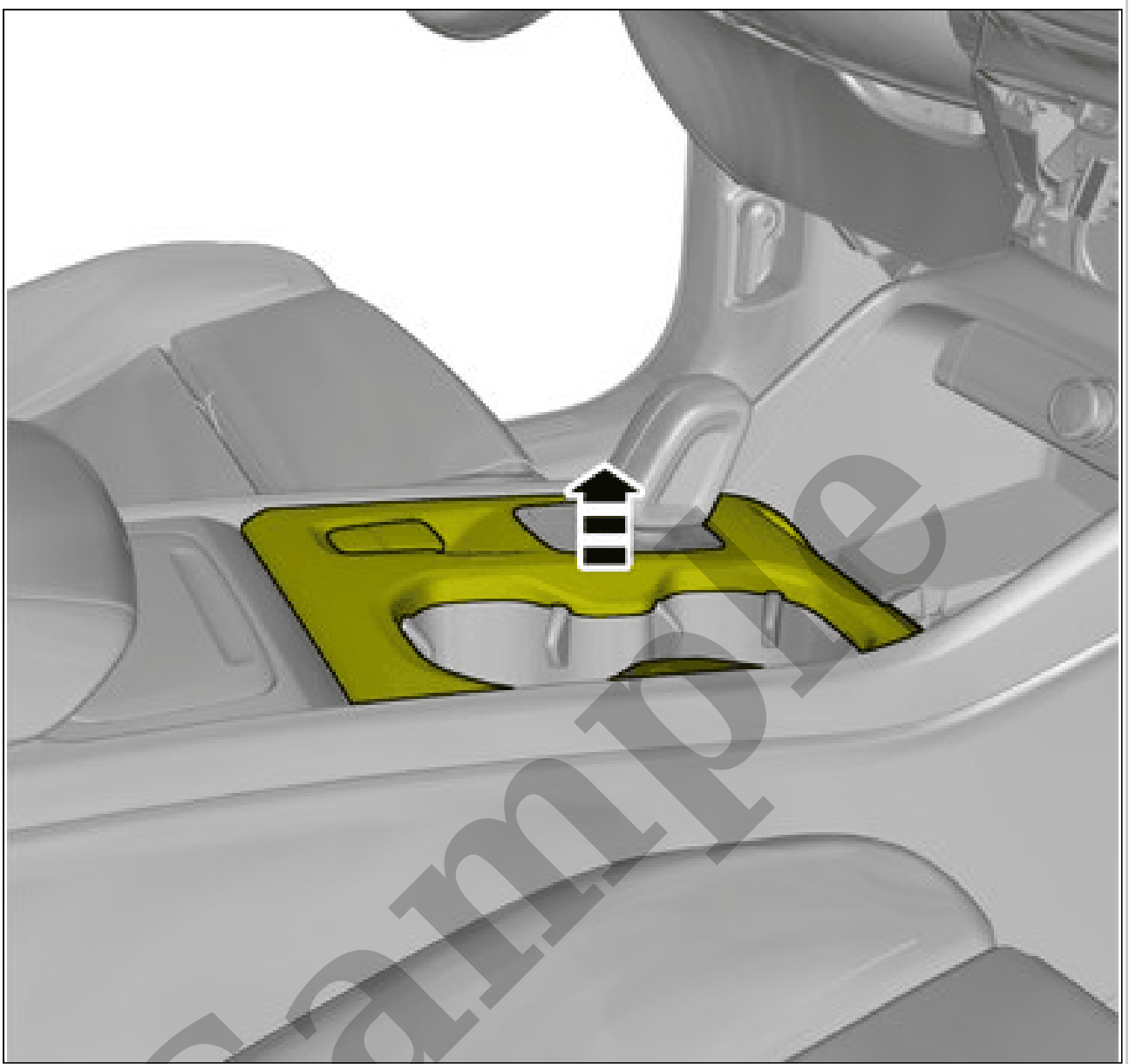


Courtesy of VOLVO CARS CORPORATION



Courtesy of VOLVO CARS CORPORATION

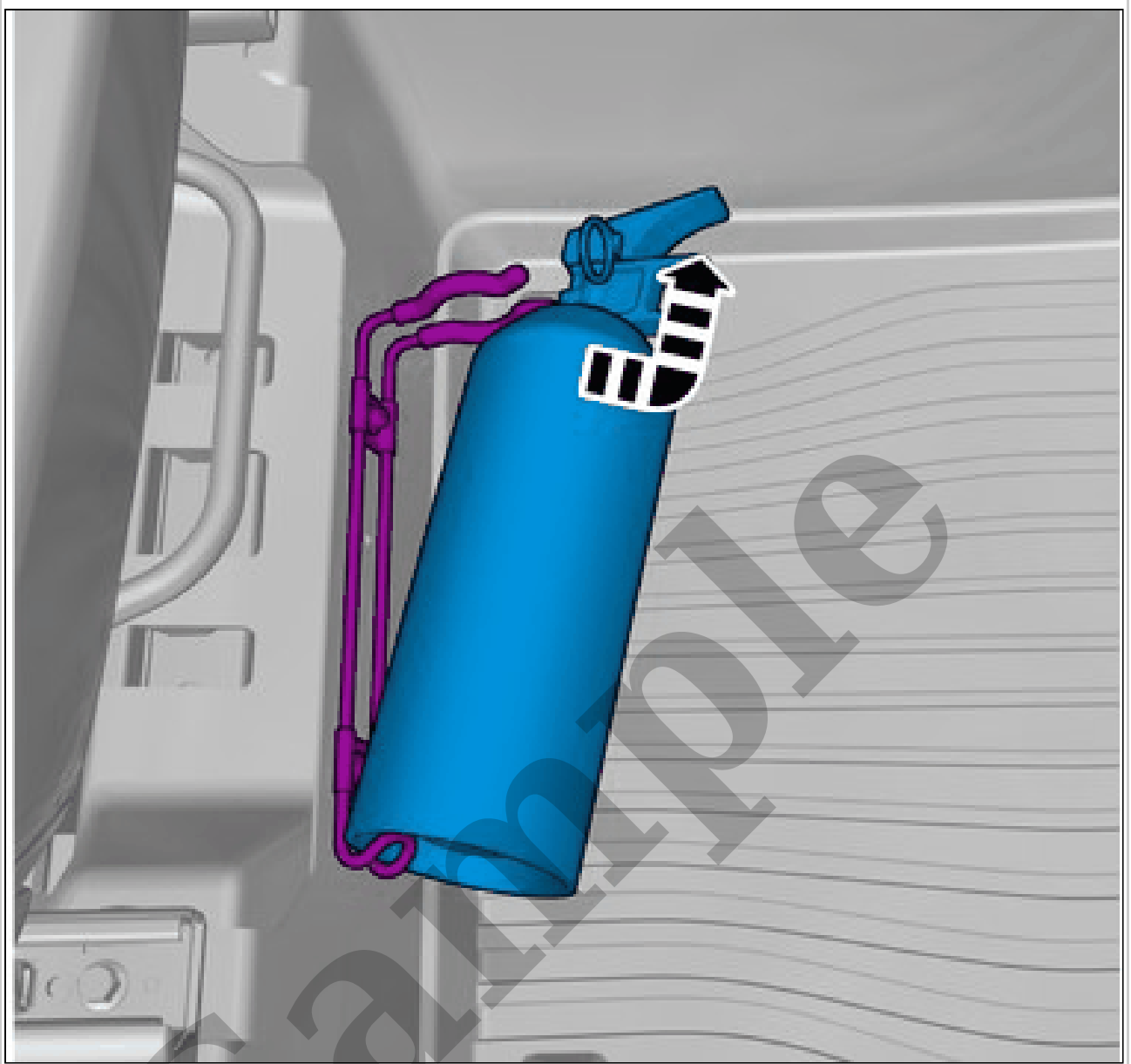
**NOTE:** The graphic shows the back of the component before removal.



Courtesy of VOLVO CARS CORPORATION

Loosen the marked detail.

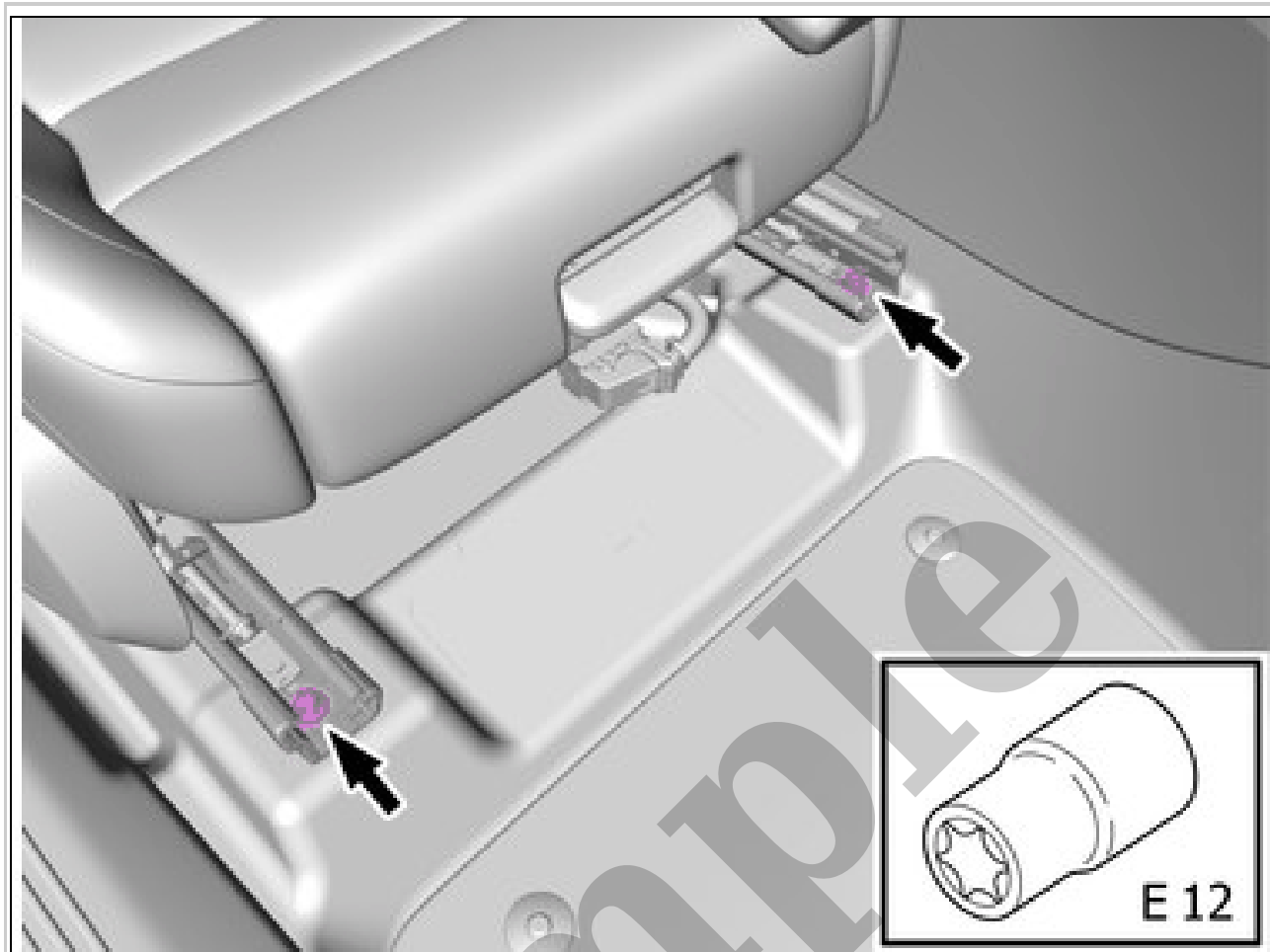
**Use:** Interior trim remover



Courtesy of VOLVO CARS CORPORATION

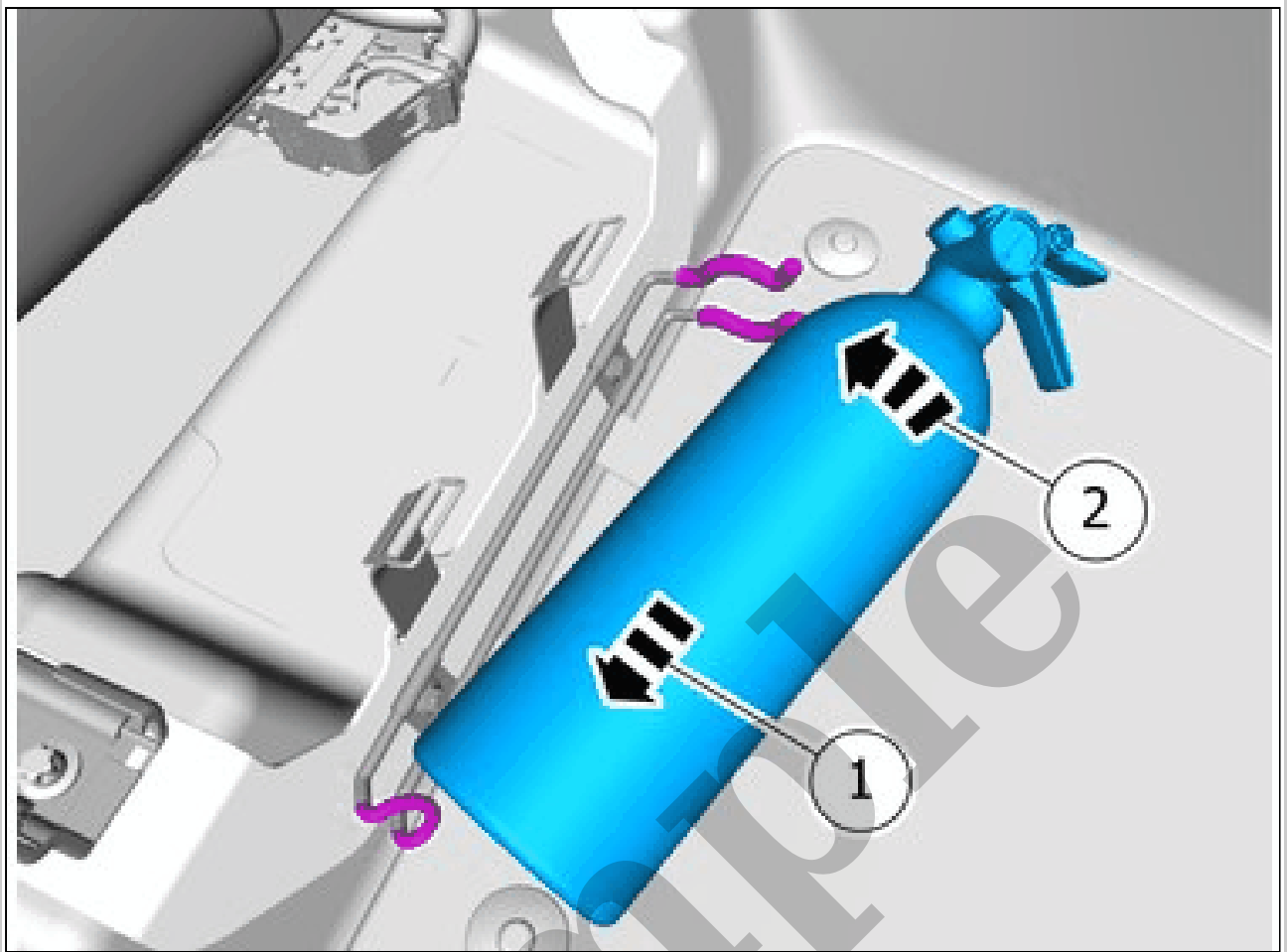
Remove the marked part.





Courtesy of VOLVO CARS CORPORATION

Remove the screws.



Courtesy of VOLVO CARS CORPORATION

Install the marked component.