

# Your Ultimate Source for OEM Repair Manuals

FactoryManuals.net is a great resource for anyone who wants to save money on repairs by doing their own work. The manuals provide detailed instructions and diagrams that make it easy to understand how to fix a vehicle.

## 2006 FORD Focus C-Max OEM Service and Repair Workshop Manual

[Go to manual page](#)

## Engine Front Undershield - Electric

<b>501-02 Front End Body Panels</b>	<b>2022 F-150</b>
<b>Removal and Installation</b>	<b>Procedure revision date: 04/22/2022</b>

### Engine Front Undershield - Electric

#### Removal

#### NOTE

Removal steps in this procedure may contain installation details.

1. Remove the engine rear undershield

Refer to: [Engine Rear Undershield - Electric](#)(501-02 Front End Body Panels, Removal and Installation).

2. Remove the bolts and the engine undershield.

**Torque** : 30 lb.ft (40 Nm)

4. Remove the U-spring nuts.

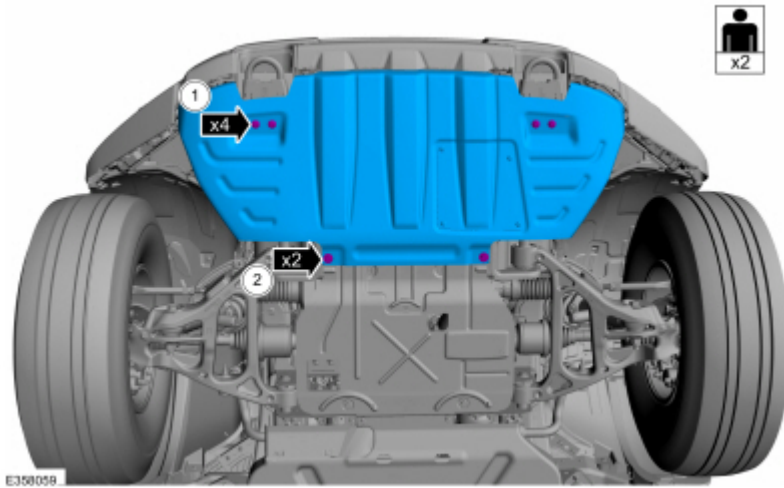


[Click here to learn about symbols, color coding, and icons used in this manual.](#)

### **Installation**

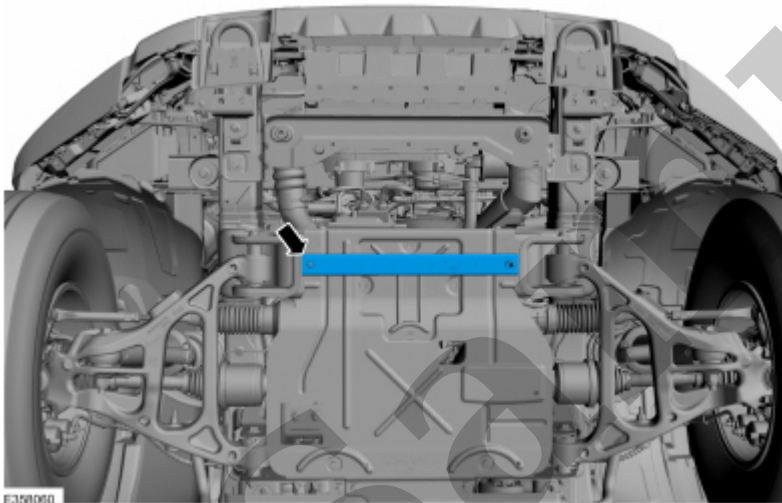
1. To install, reverse the removal procedure.

Copyright © Ford Motor Company



[Click here to learn about symbols, color coding, and icons used in this manual.](#)

3. Remove the support plate.



[Click here to learn about symbols, color coding, and icons used in this manual.](#)

4. Remove the bolts and the engine undershield.

***Torque :***

Torque 1:: 30 lb.ft (40 Nm)

Torque 2:: 22 lb.ft (30 Nm)

## Engine Front Undershield

<b>501-02 Front End Body Panels</b>	<b>2022 F-150</b>
<b>Removal and Installation</b>	<b>Procedure revision date: 10/2/2020</b>

### Engine Front Undershield

#### Removal

##### NOTE

Removal steps in this procedure may contain installation details.

1. With the vehicle in NEUTRAL, position it on a hoist.

Refer to: [Jacking and Lifting - Overview](#)(100-02 Jacking and Lifting, Description and Operation).

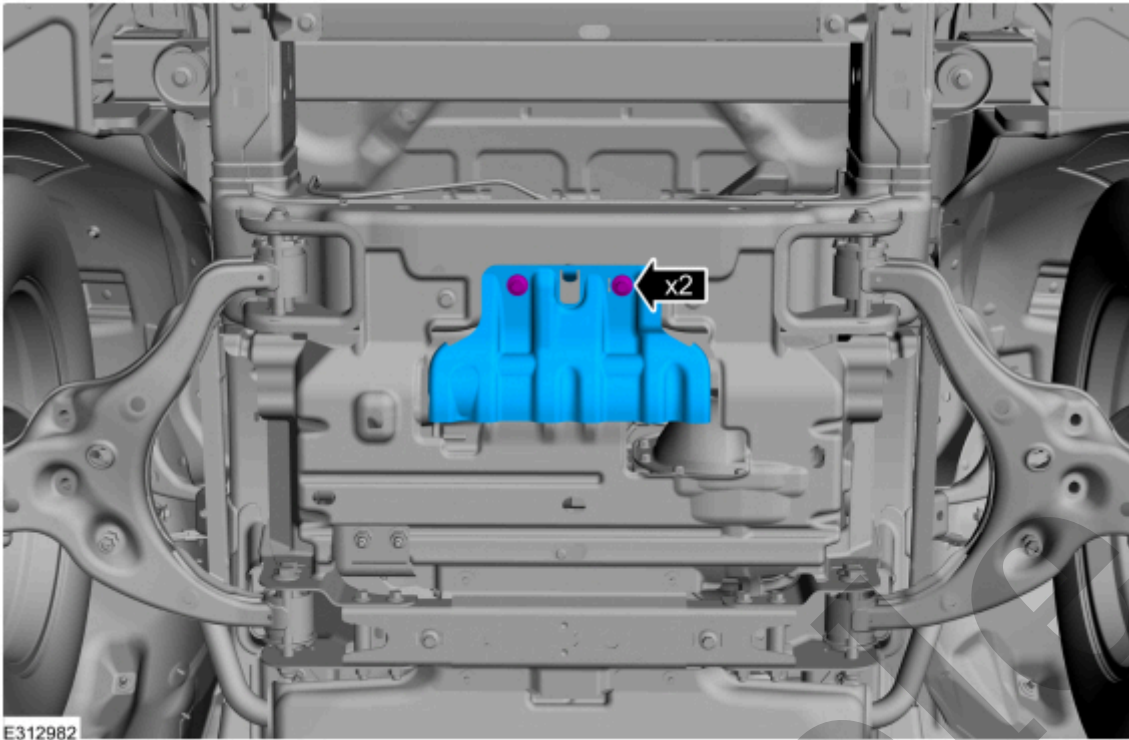
2. If equipped

Remove the bolts and the underbody skid plate.

**Torque :**

1: 30 lb.ft (40 Nm)

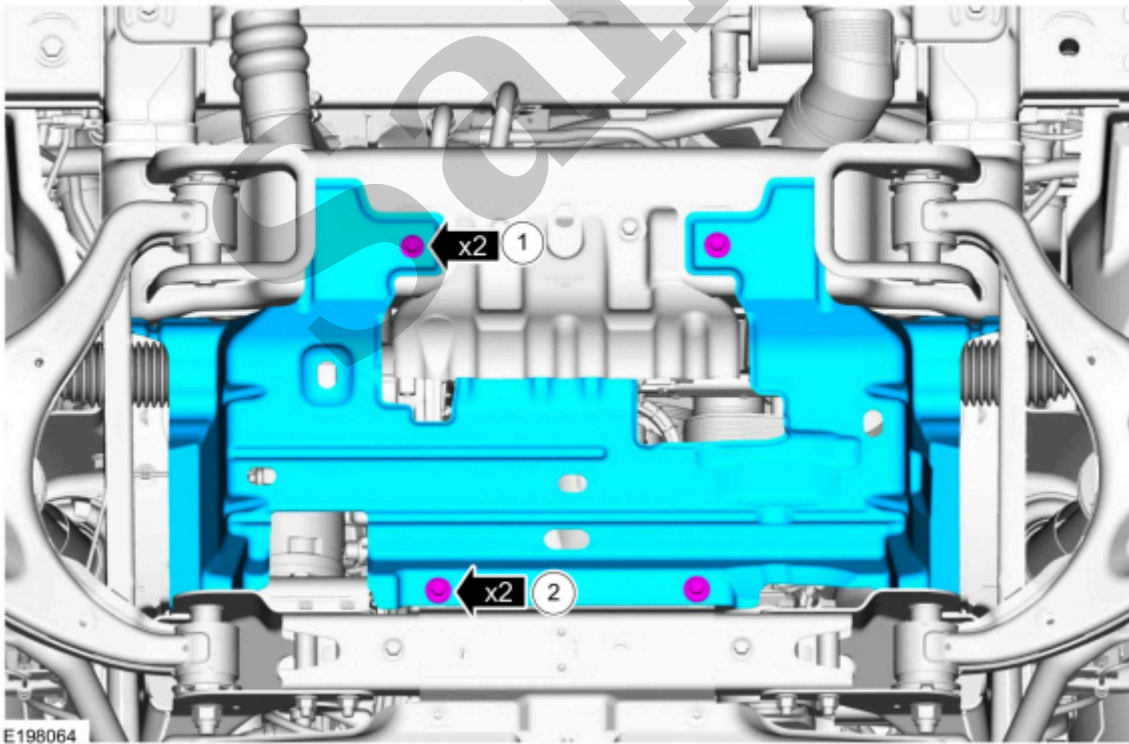
2: 71 lb.in (8 Nm)



[Click here to learn about symbols, color coding, and icons used in this manual.](#)

4. Remove the bolts and the engine front undershield.

**Torque** : 30 lb.ft (40 Nm)



[Click here to learn about symbols, color coding, and icons used in this manual.](#)

## Engine Rear Undershield - Electric

<b>501-02 Front End Body Panels</b>	<b>2022 F-150</b>
<b>Removal and Installation</b>	<b>Procedure revision date: 04/22/2022</b>

### Engine Rear Undershield - Electric

#### Removal

##### NOTE

Removal steps in this procedure may contain installation details.

1. With the vehicle in NEUTRAL, position it on a hoist.

Refer to: [Jacking and Lifting - Overview](#)(100-02 Jacking and Lifting, Description and Operation).

2. Remove the fasteners and the engine rear undershield.

**Torque** : 30 lb.ft (40 Nm)

1. To install, reverse the removal procedure.

Copyright © Ford Motor Company

Sample



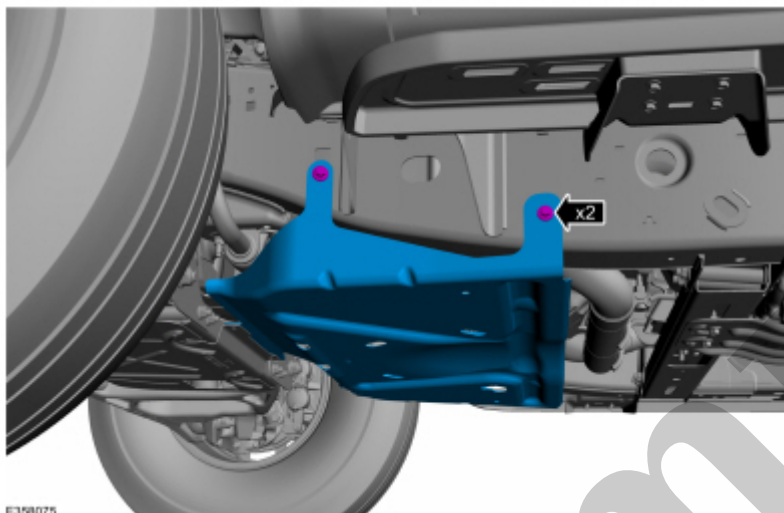
[Click here to learn about symbols, color coding, and icons used in this manual.](#)

### 3. NOTICE

Support the engine rear undershield while the fasteners are being removed and installed. Do not support the engine rear undershield by any less than the total number of fasteners at any time.

On both sides

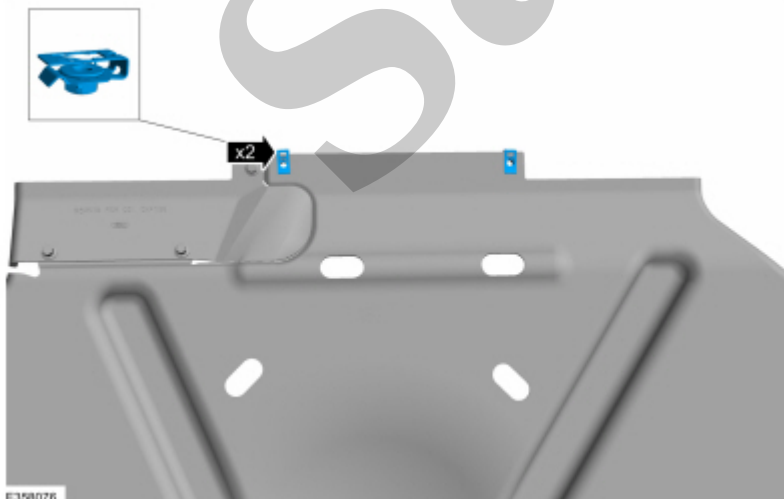
Holding the shield in its correct position, remove the bolts securing the engine rear undershield.



E358075

[Click here to learn about symbols, color coding, and icons used in this manual.](#)

4. Remove the U-spring nuts from rear undershield.



E358076

[Click here to learn about symbols, color coding, and icons used in this manual.](#)

5. On both sides

## Engine Rear Undershield

<b>501-02 Front End Body Panels</b>	<b>2022 F-150</b>
<b>Removal and Installation</b>	<b>Procedure revision date: 10/2/2020</b>

### Engine Rear Undershield

#### Removal

##### NOTE

Removal steps in this procedure may contain installation details.

1. With the vehicle in NEUTRAL, position it on a hoist.

Refer to: [Jacking and Lifting - Overview](#)(100-02 Jacking and Lifting, Description and Operation).

##### 2. NOTICE

Support the engine rear undershield while the fasteners are being removed and installed. Do not support the engine rear undershield by any less than the total number of fasteners at any time.

Holding the shield in its correct position, remove the fasteners and the engine rear undershield.

**Torque** : 71 lb.in (8 Nm)