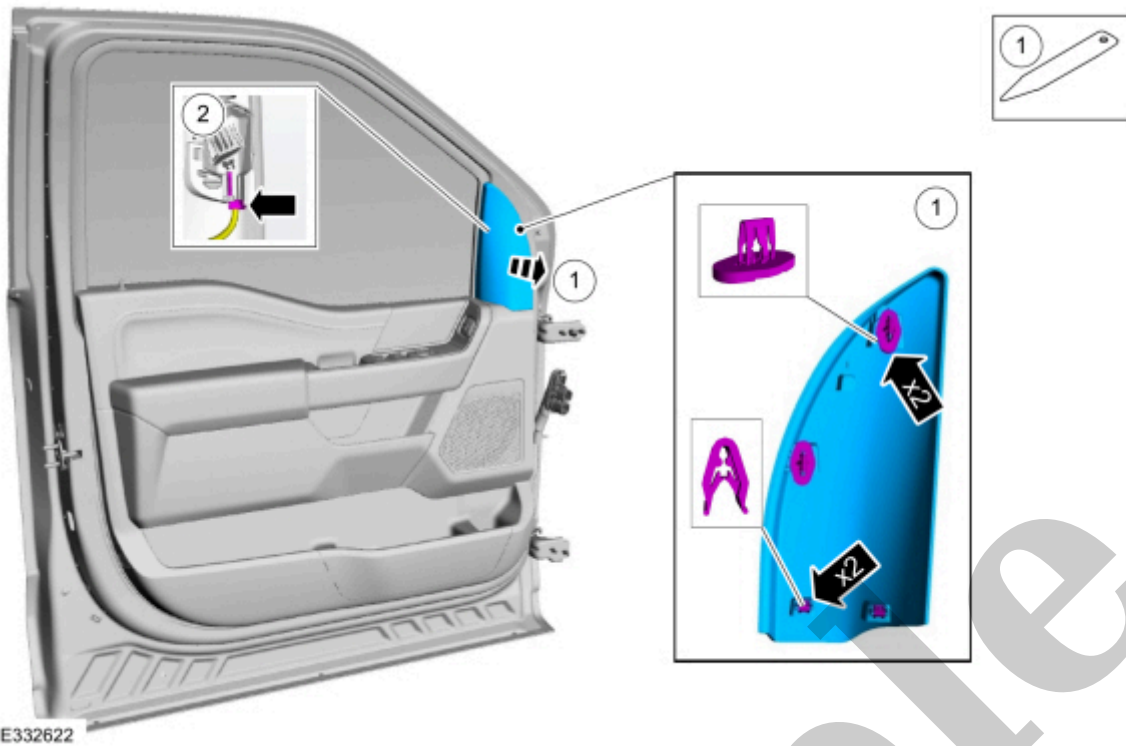


Your Ultimate Source for OEM Repair Manuals

FactoryManuals.net is a great resource for anyone who wants to save money on repairs by doing their own work. The manuals provide detailed instructions and diagrams that make it easy to understand how to fix a vehicle.

2006 FORD F-150 Regular Cab OEM Service and Repair Workshop Manual

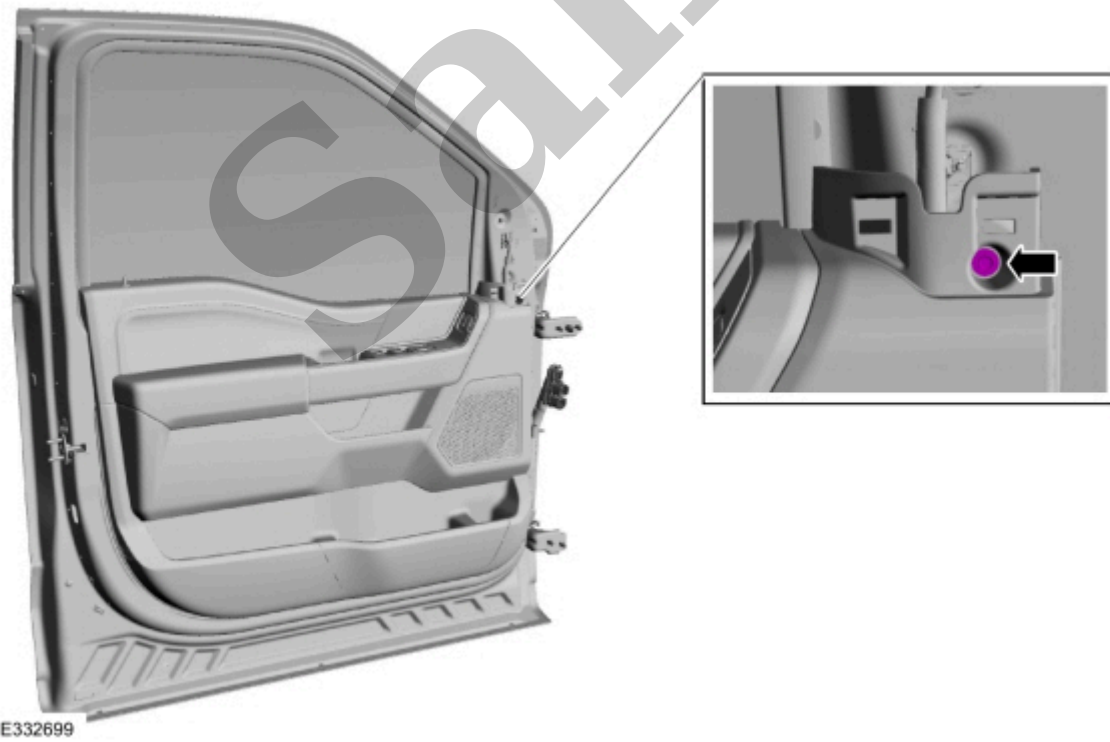
[Go to manual page](#)



[Click here to learn about symbols, color coding, and icons used in this manual.](#)

2. Remove the front door trim panel bolt.

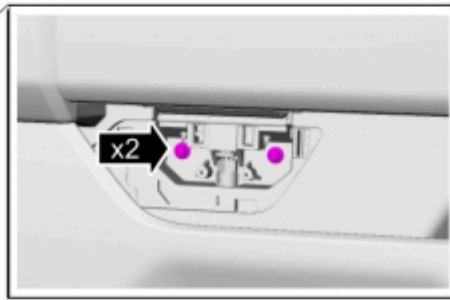
Torque : 19 lb.in (2.2 Nm)



[Click here to learn about symbols, color coding, and icons used in this manual.](#)



E332660



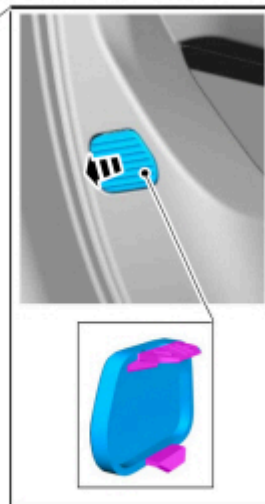
[Click here to learn about symbols, color coding, and icons used in this manual.](#)

5. Remove the front door trim panel bolt cover.

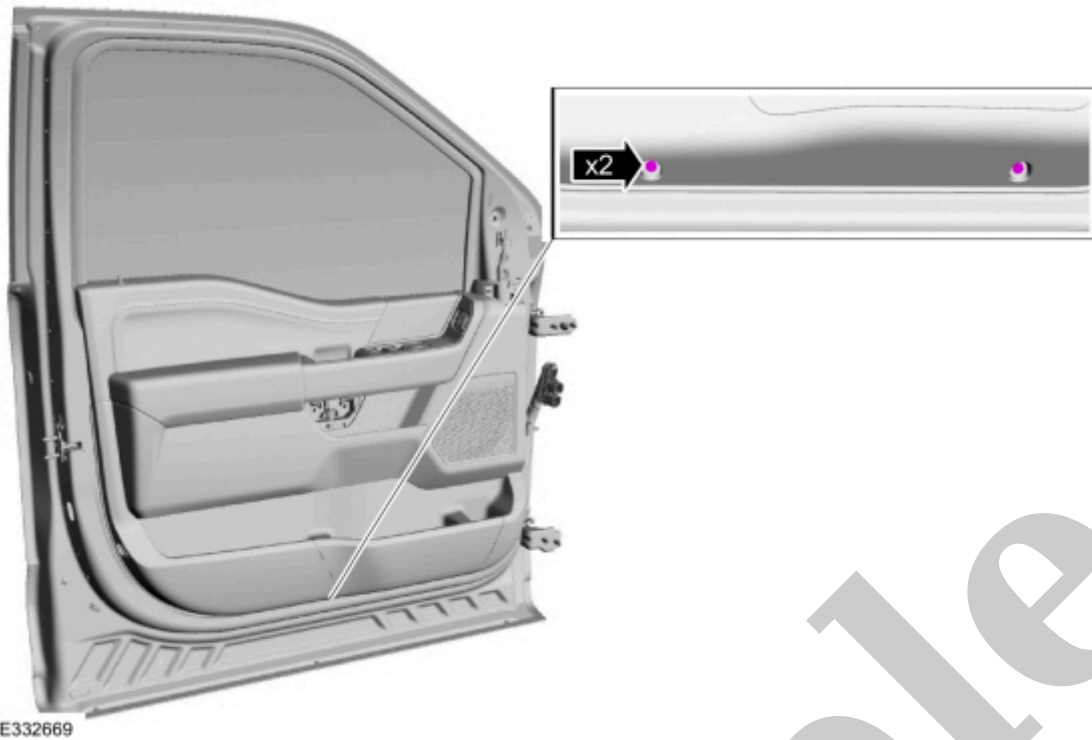
Use the General Equipment: Pick Hook



E332664



[Click here to learn about symbols, color coding, and icons used in this manual.](#)



[Click here to learn about symbols, color coding, and icons used in this manual.](#)

SuperCab

NOTE

This step is only necessary when installing a new component.

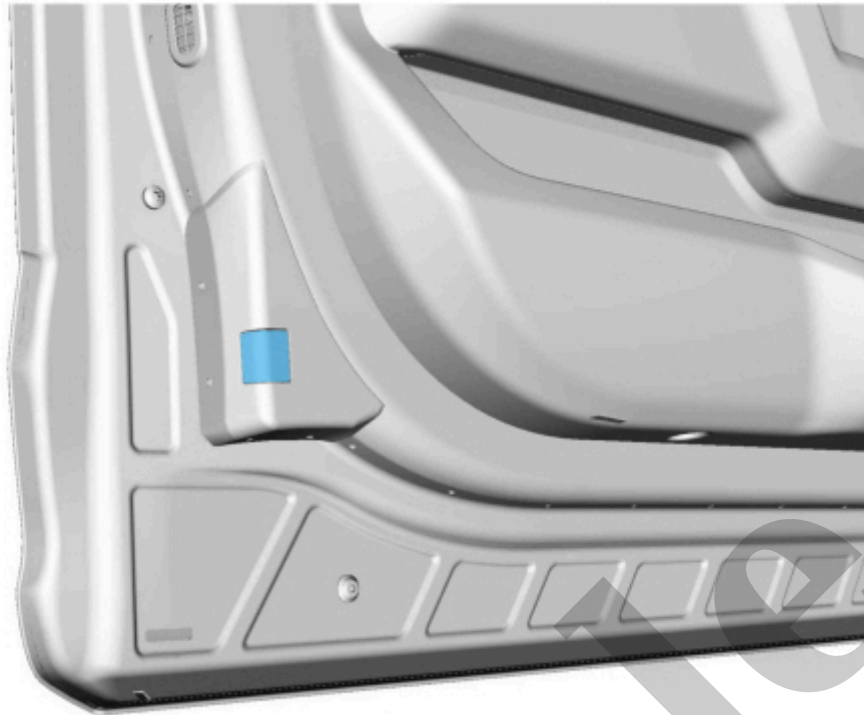
NOTE

Removal of the filler trim panel is not required to remove the front door trim panel.

8. NOTE

This step is only necessary when installing a new component.

Release the clips and disengage the weatherstrip from around the front door filler trim panel.



E200508

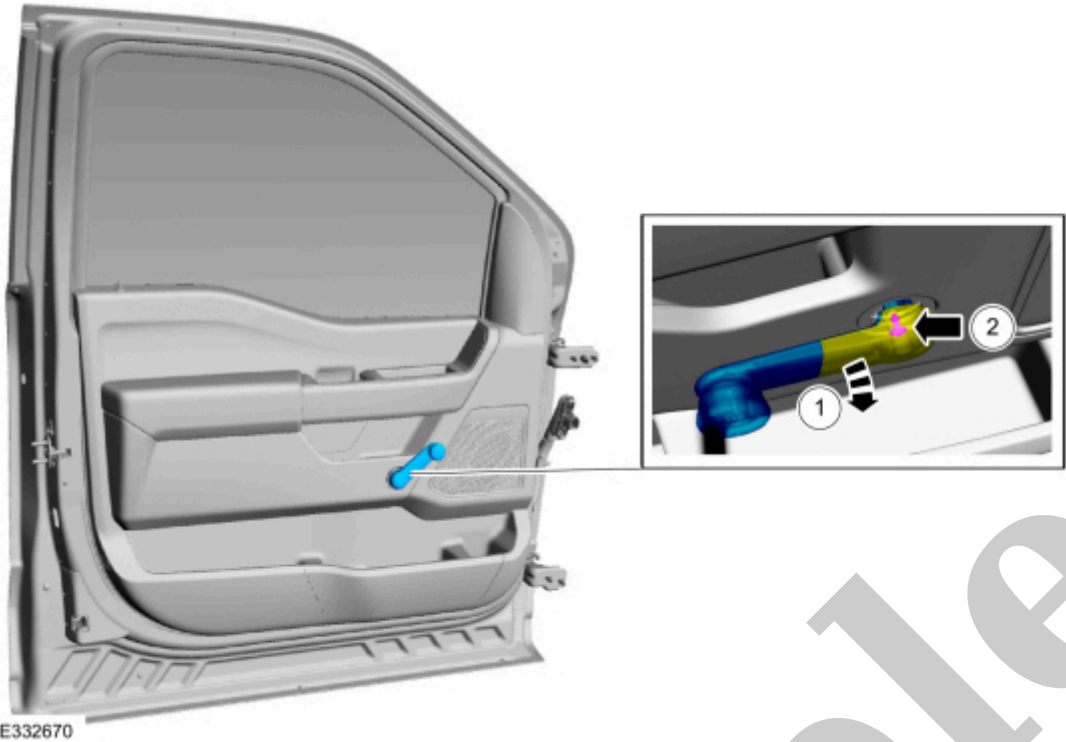
[Click here to learn about symbols, color coding, and icons used in this manual.](#)

10. **NOTE**

This step is only necessary when installing a new component.

Remove the front door filler trim panel.

1. Remove the front door filler trim panel screw.
2. Release the front door filler trim panel lower clip.
3. Disengage the hook and remove the front door filler trim panel.

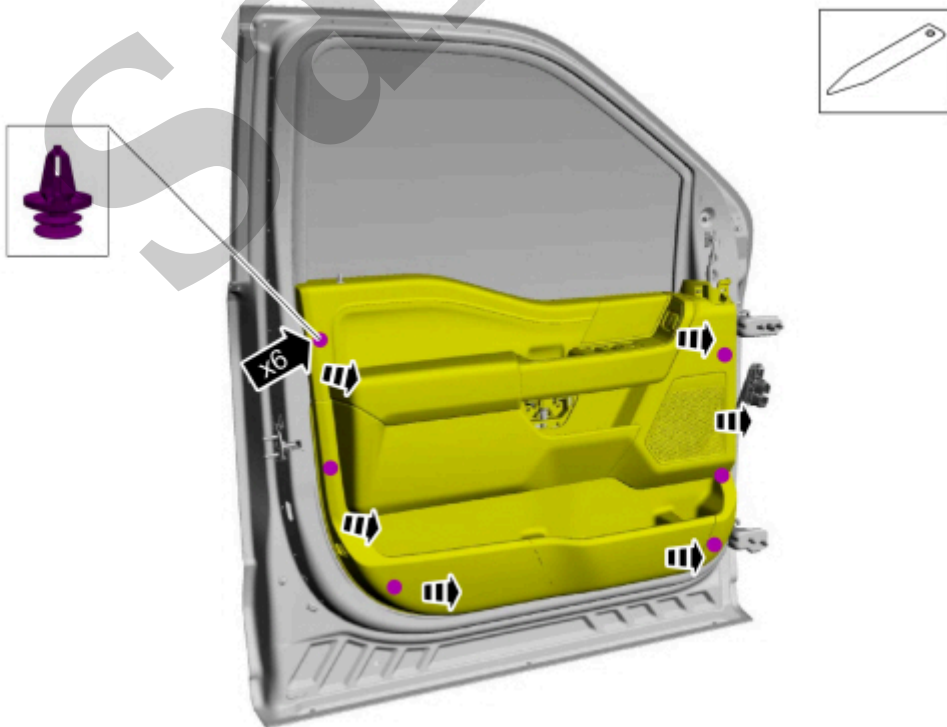


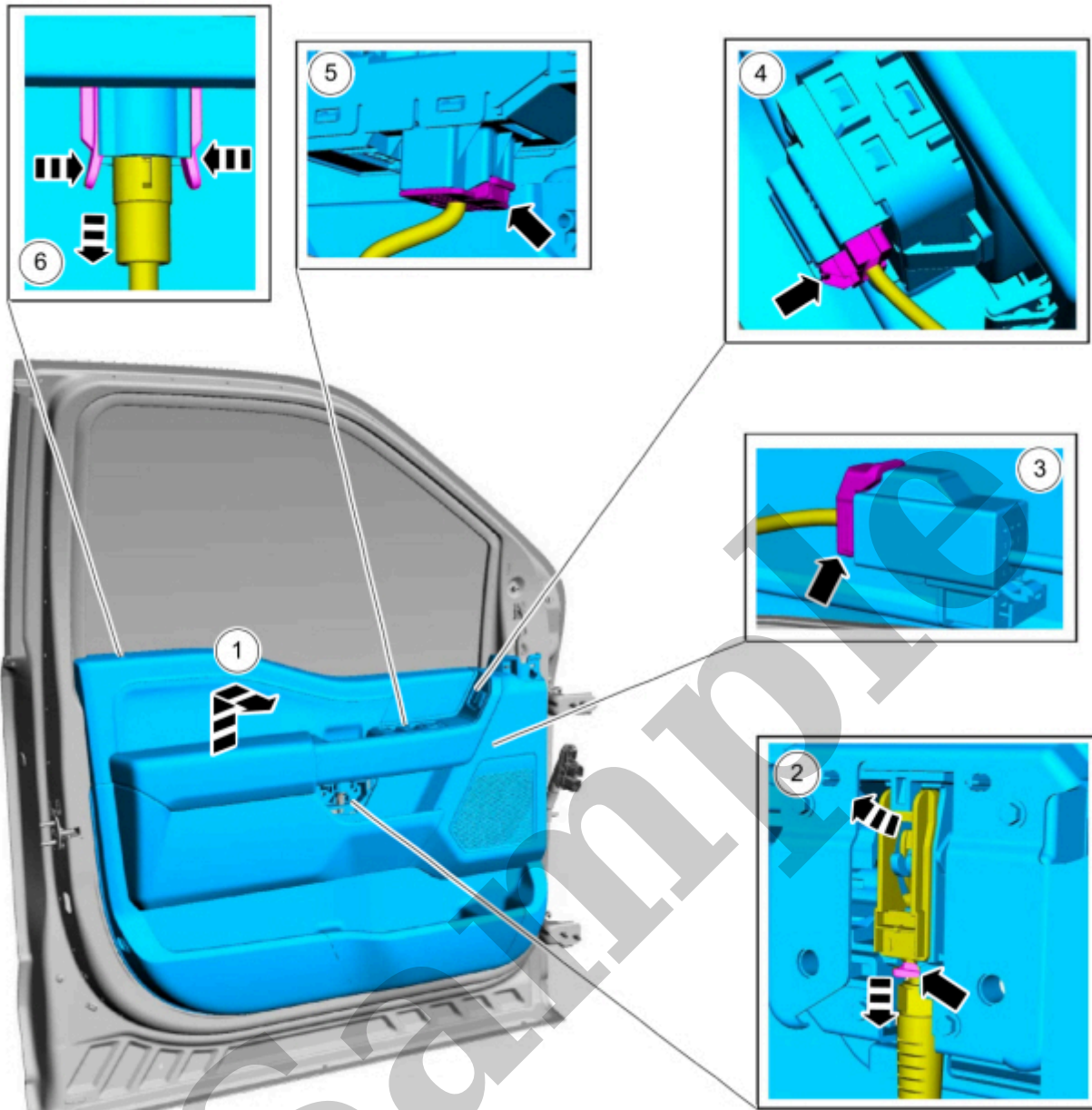
[Click here to learn about symbols, color coding, and icons used in this manual.](#)

All vehicles

12. Release the front door trim panel clips.

Use the General Equipment: Interior Trim Remover





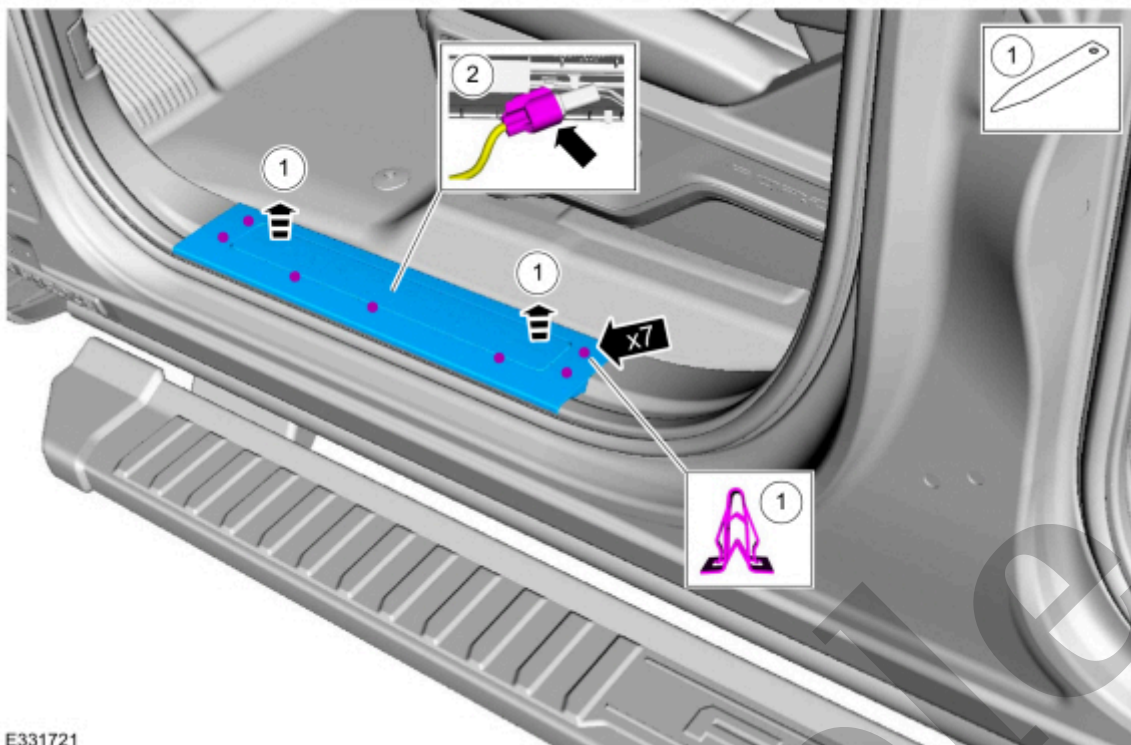
E332681

[Click here to learn about symbols, color coding, and icons used in this manual.](#)

Installation

1. To install, reverse the removal procedure.

Copyright © Ford Motor Company



E331721

[Click here to learn about symbols, color coding, and icons used in this manual.](#)

Installation

1. To install, reverse the removal procedure.

Copyright © Ford Motor Company

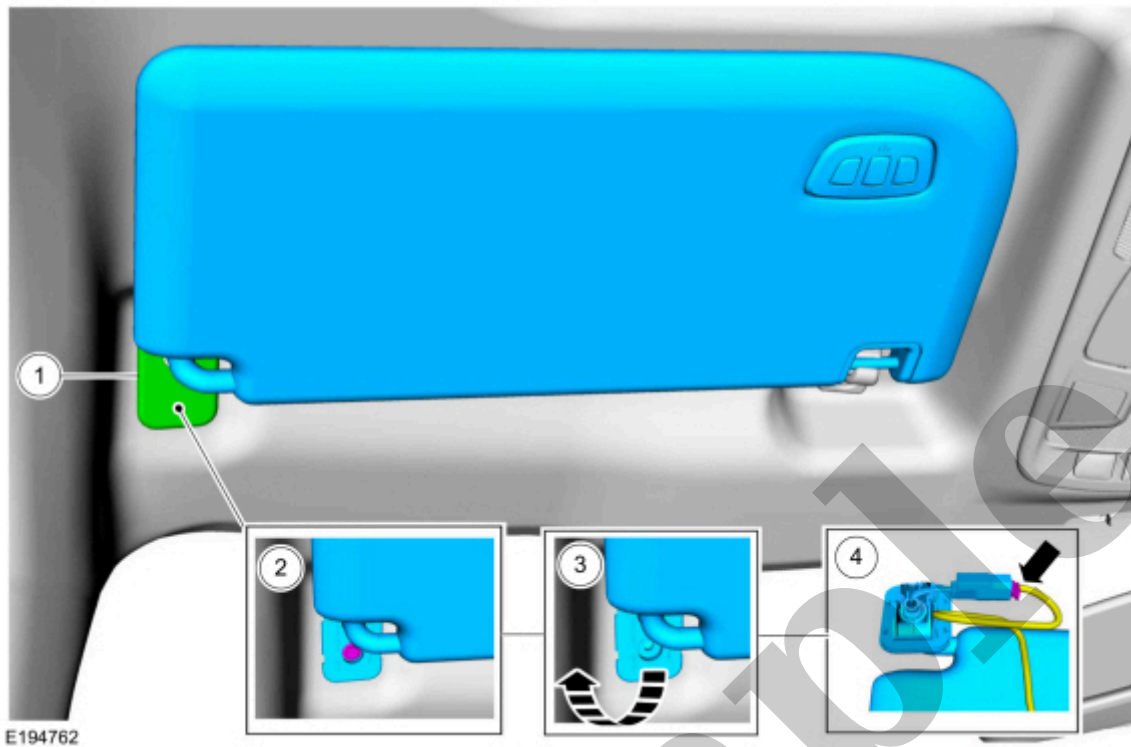
1. To install, reverse the removal procedure.

Copyright © Ford Motor Company

Sample

4. If equipped.

Disconnect the sun visor electrical connector.



[Click here to learn about symbols, color coding, and icons used in this manual.](#)

3. On both sides.

Remove the bolt and the sun visor clip.