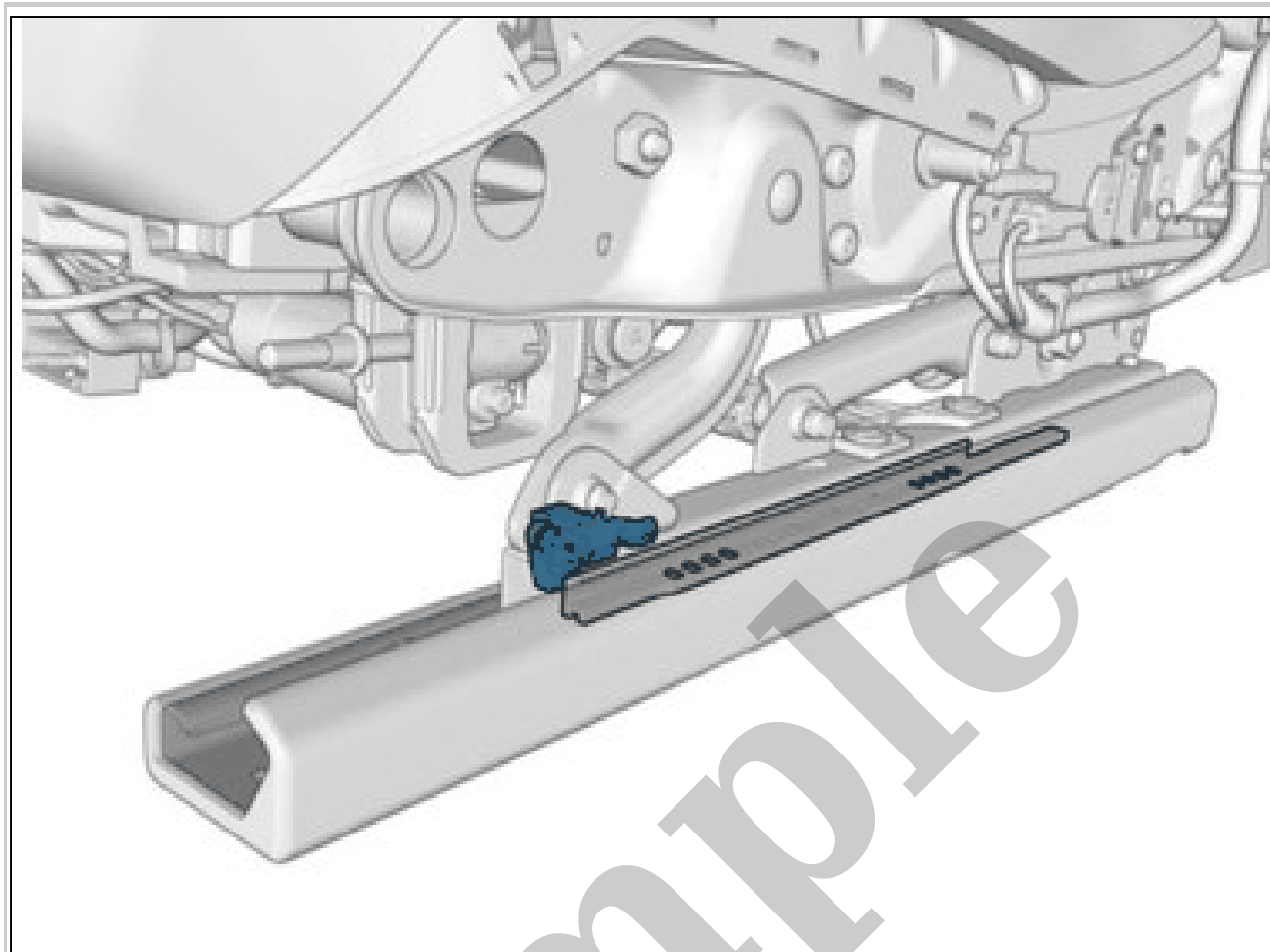


Your Ultimate Source for OEM Repair Manuals

FactoryManuals.net is a great resource for anyone who wants to save money on repairs by doing their own work. The manuals provide detailed instructions and diagrams that make it easy to understand how to fix a vehicle.

2005 VOLVO XC70 OEM Service and Repair Workshop Manual

[Go to manual page](#)



Courtesy of VOLVO CARS CORPORATION

The seat position sensor is used to determine the size of the person sitting in the seat. The seat position sensor consists of a Hall sensor which alters the current depending on the position of the seat. The seat position sensor has two classifications, a small person or a large person.

SEAT POSITION SENSOR > SEAT POSITION SENSOR (3/255 - 3/256) [2018-2022] > DIAGNOSTIC INFORMATION

The seat position sensor does not have a built-in diagnostic system. Supplemental Restraint System Module (SRS) monitors the seat position sensor and sets DTCs.

SEAT POSITION SENSOR > SEAT POSITION SENSOR (3/255 - 3/256) [2018-2022] > CONNECTION AND COMMUNICATION

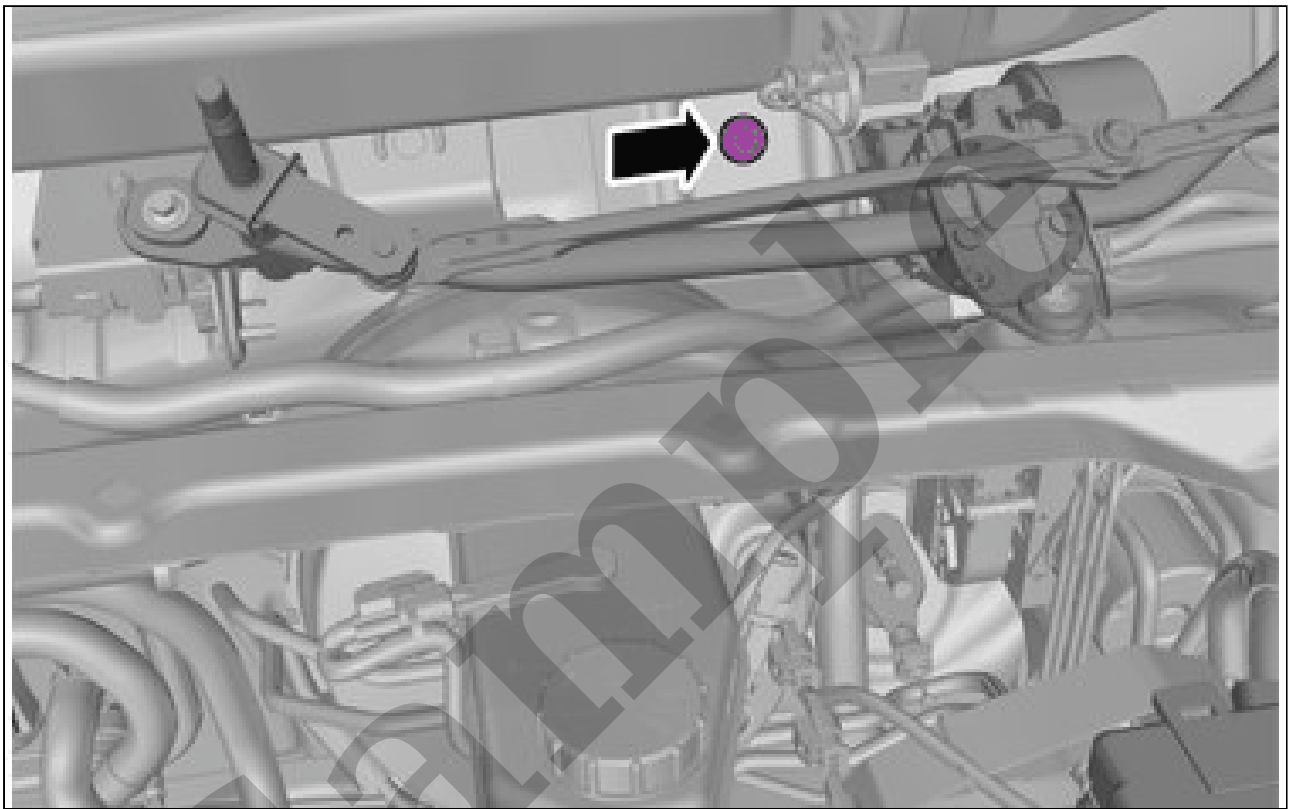
The seat position sensor is directly connected to the Supplemental Restraint System Module (SRS).

SIDE IMPACT PROTECTION > SIDE IMPACT PROTECTION (8/51 - 8/52) [2018-2022] > DESCRIPTION

CROSS MEMBER, DASH BOARD > CROSS MEMBER, DASH BOARD [2018-2022] > REMOVAL

NOTE: Removal steps in this procedure may contain installation details.

Remove the plenum cover. Refer to: PLENUM COVER

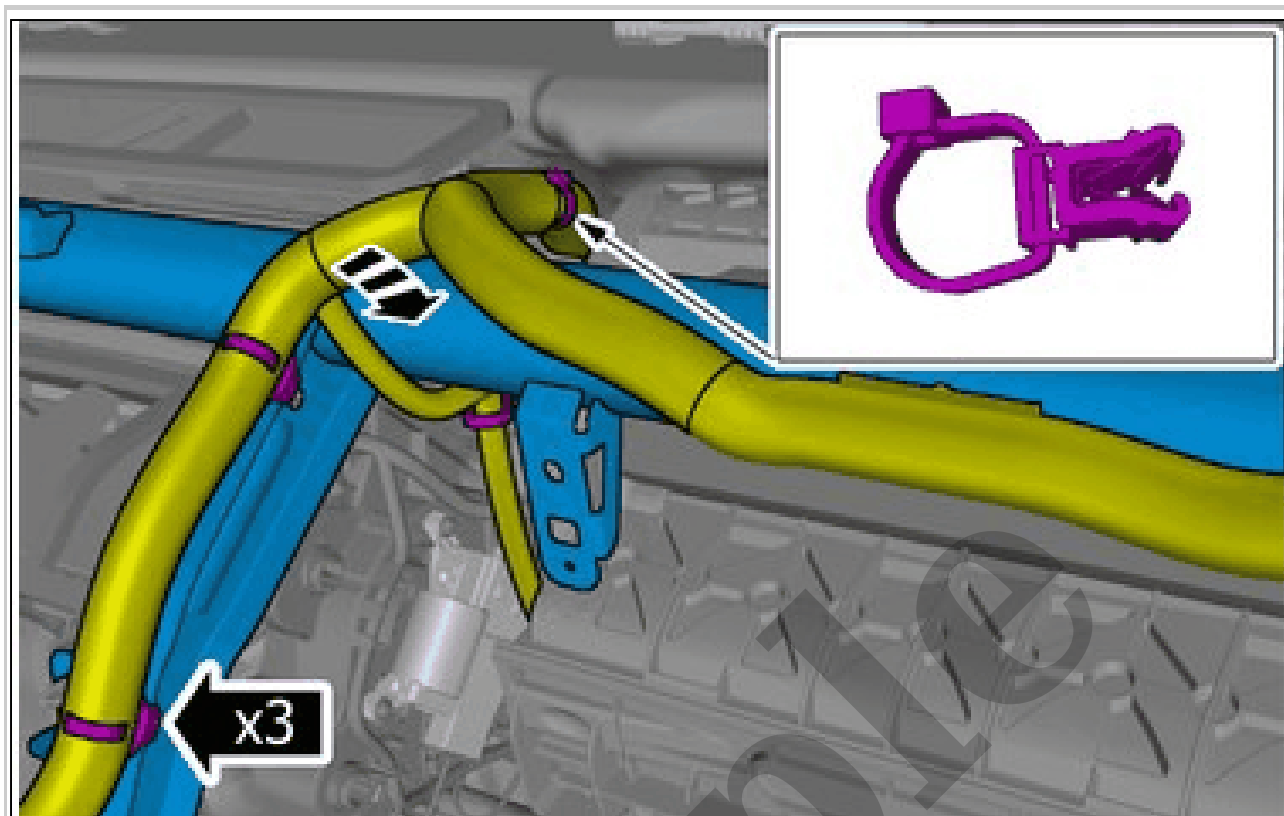


Courtesy of VOLVO CARS CORPORATION

Remove the screw.

Torque: M8, 24Nm

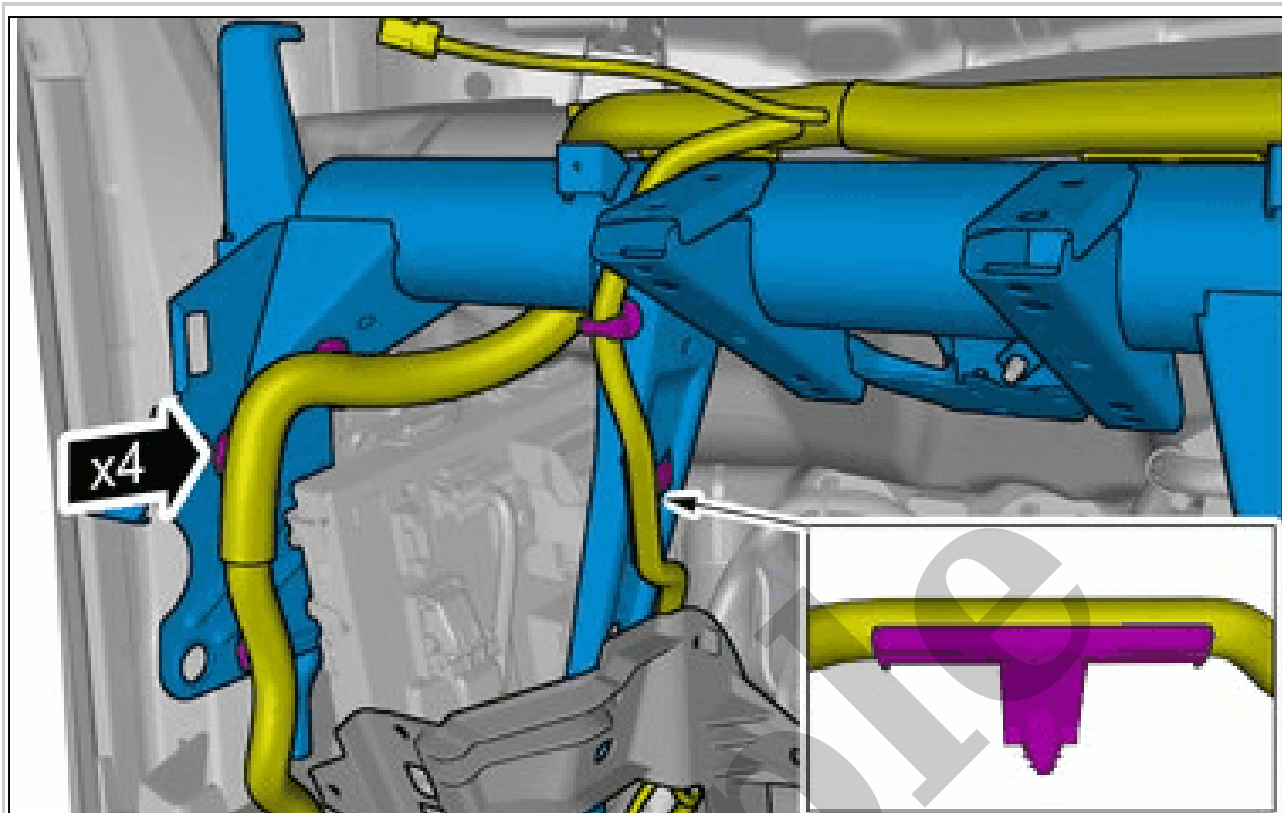
Remove the dashboard. Refer to: DASHBOARD



Courtesy of VOLVO CARS CORPORATION

CAUTION: *The number of connectors, cables and cable ties may vary depending on the vehicle specification.*

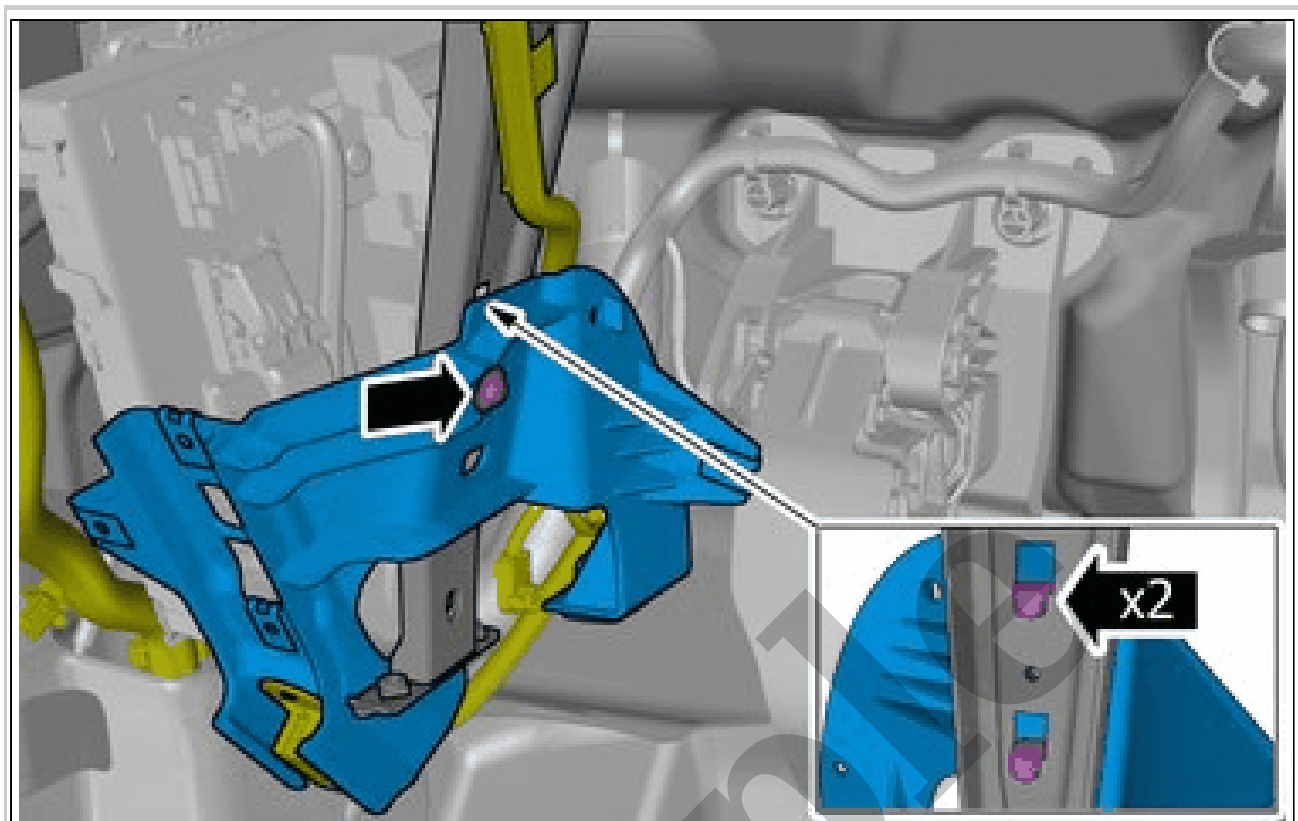
Remove the cable harness clips.
Fold marked part aside.



Courtesy of VOLVO CARS CORPORATION

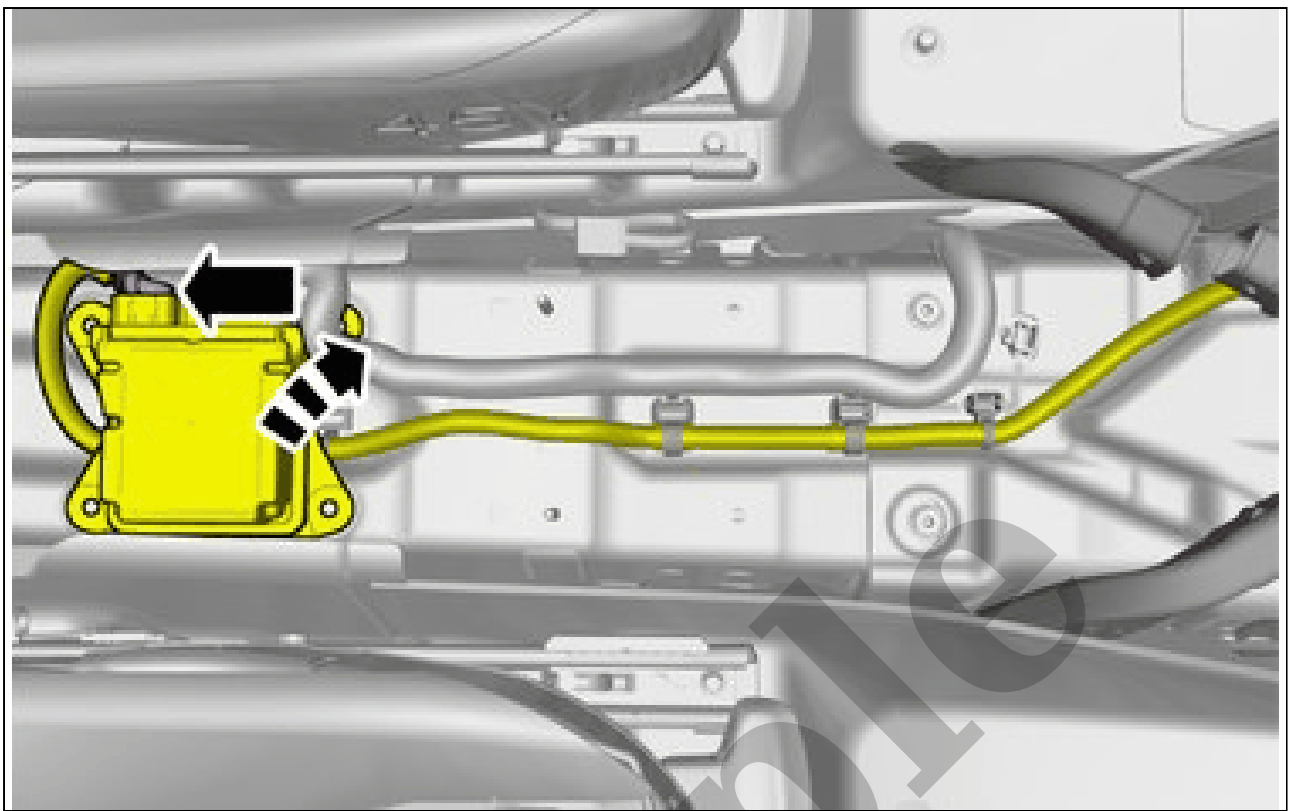
CAUTION: *The number of connectors, cables and cable ties may vary depending on the vehicle specification.*

Remove the cable harness clips.
See information about connector ignition cable. Refer to: IGNITER WIRE CONNECTOR



Courtesy of VOLVO CARS CORPORATION

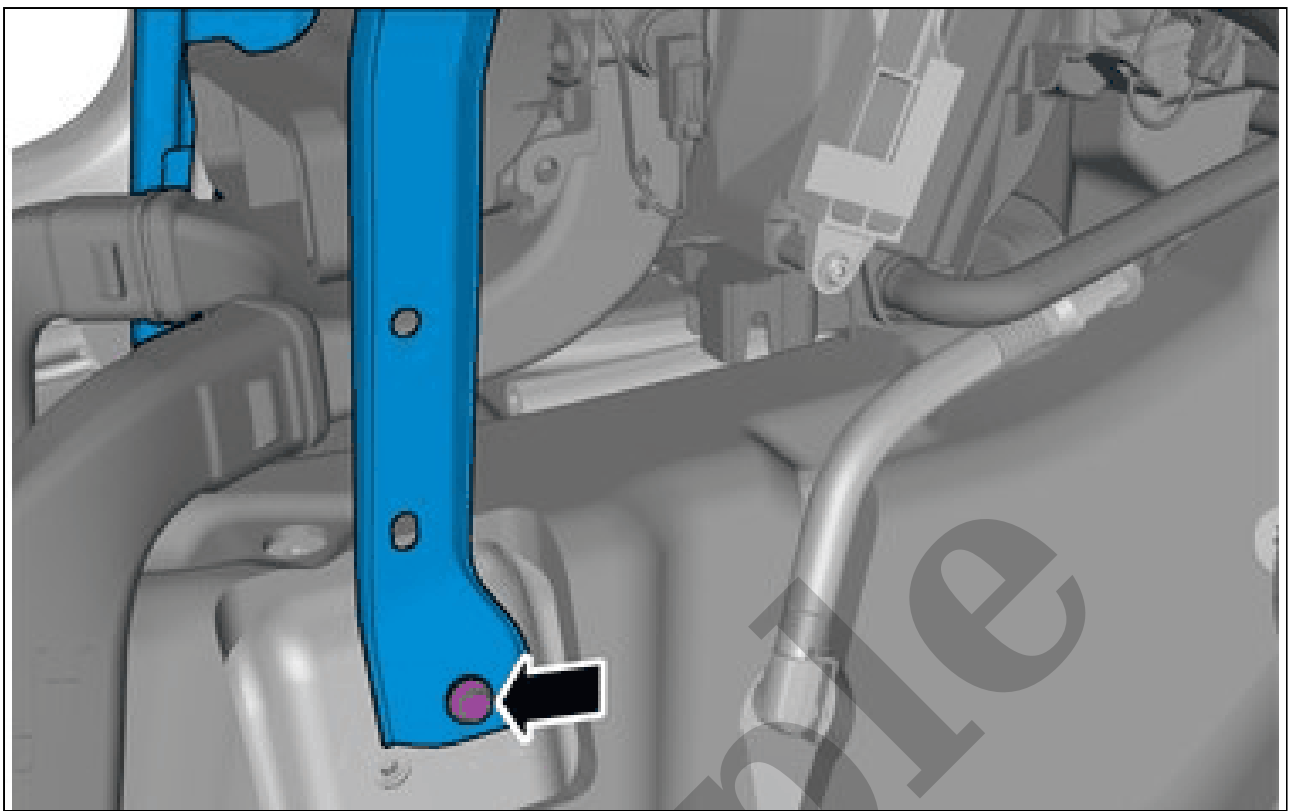
Remove the screw.
Release the catches.
Remove the part carefully



Courtesy of VOLVO CARS CORPORATION

WARNING: *Take extra care when handling supplemental restraint system (SRS) components.*

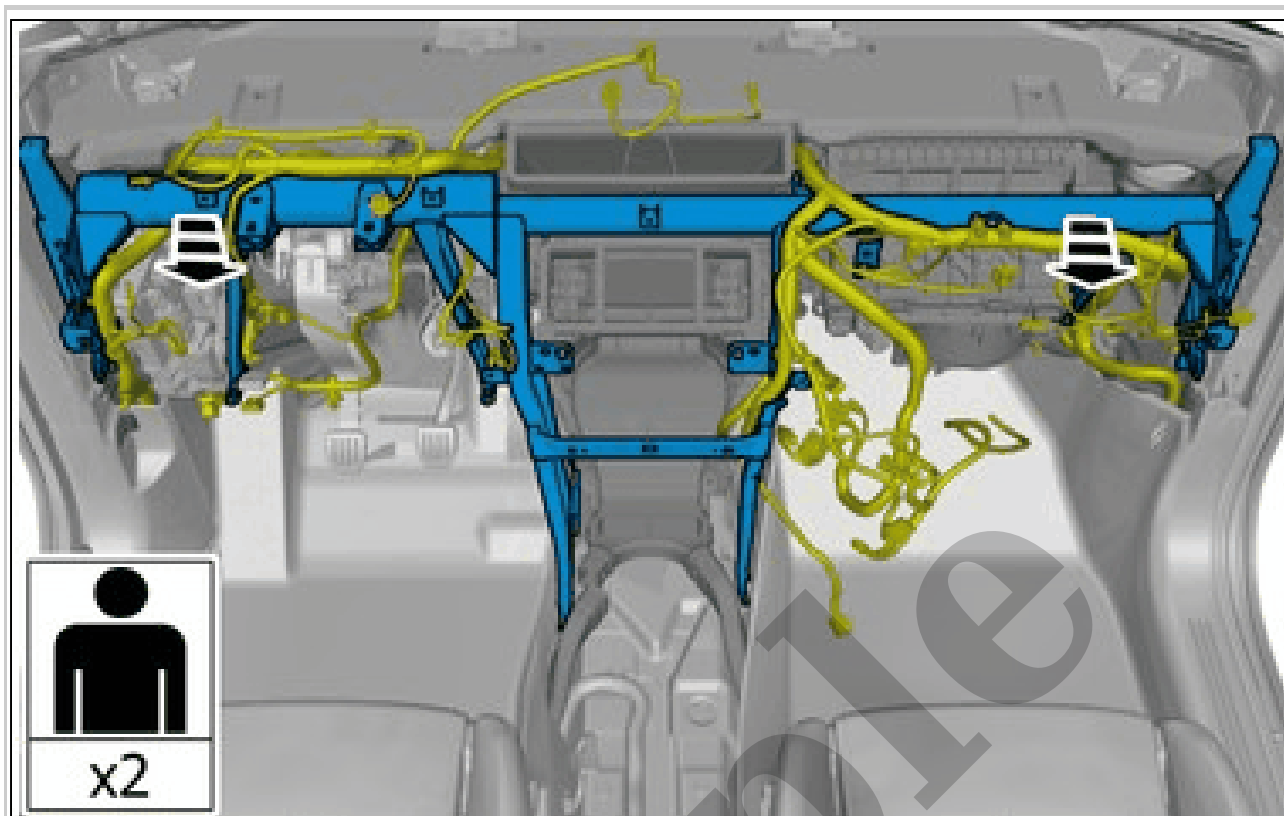
Disconnect the connector.
Fold marked part aside.



Courtesy of VOLVO CARS CORPORATION

Remove the screw.

Torque: Cross member, to Body, 10Nm

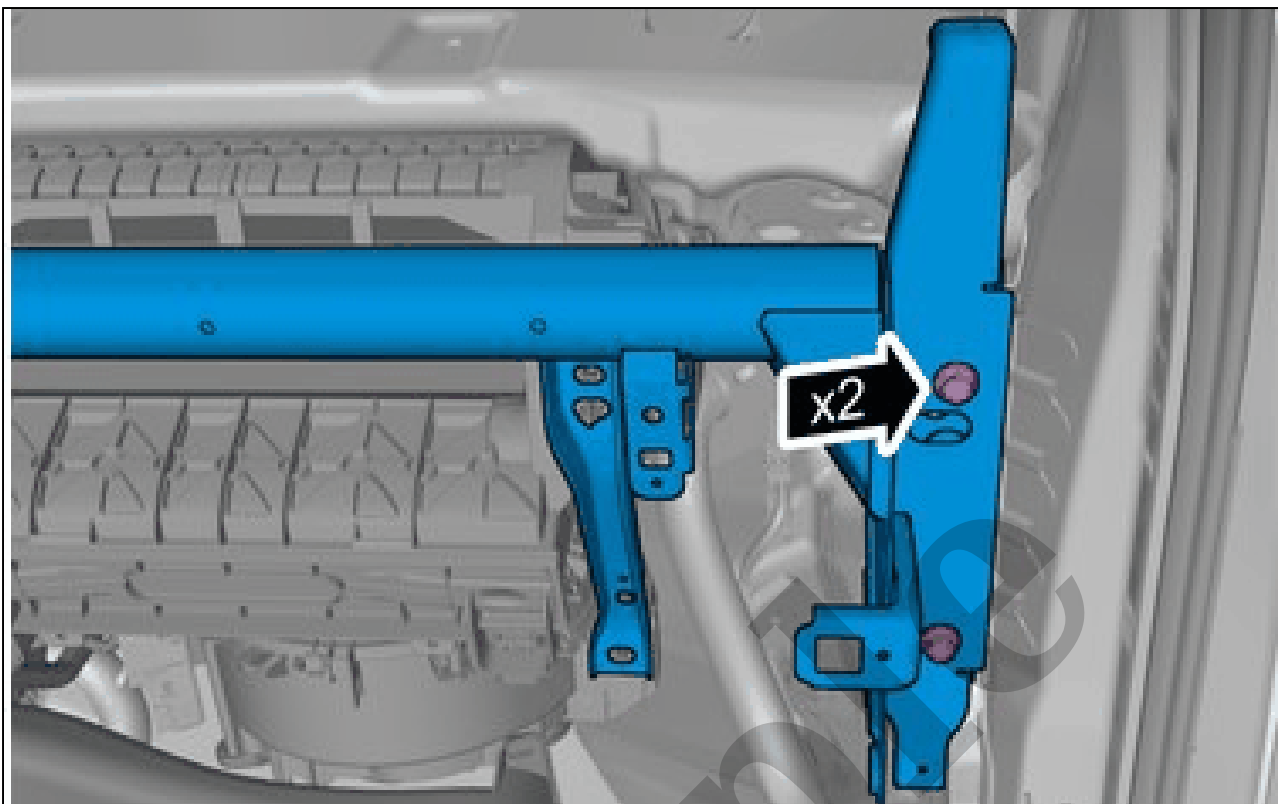


Courtesy of VOLVO CARS CORPORATION

CAUTION: Make sure that the wiring harness does not catch.

NOTE: This step requires the aid of another technician.

Remove the part carefully
Remove the marked part.



Courtesy of VOLVO CARS CORPORATION

Install the screws.
Torque: M8, 24Nm