

# Your Ultimate Source for OEM Repair Manuals

FactoryManuals.net is a great resource for anyone who wants to save money on repairs by doing their own work. The manuals provide detailed instructions and diagrams that make it easy to understand how to fix a vehicle.

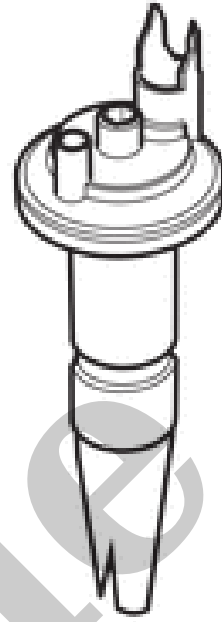
## 2005 VOLVO V50 OEM Service and Repair Workshop Manual

[Go to manual page](#)

1

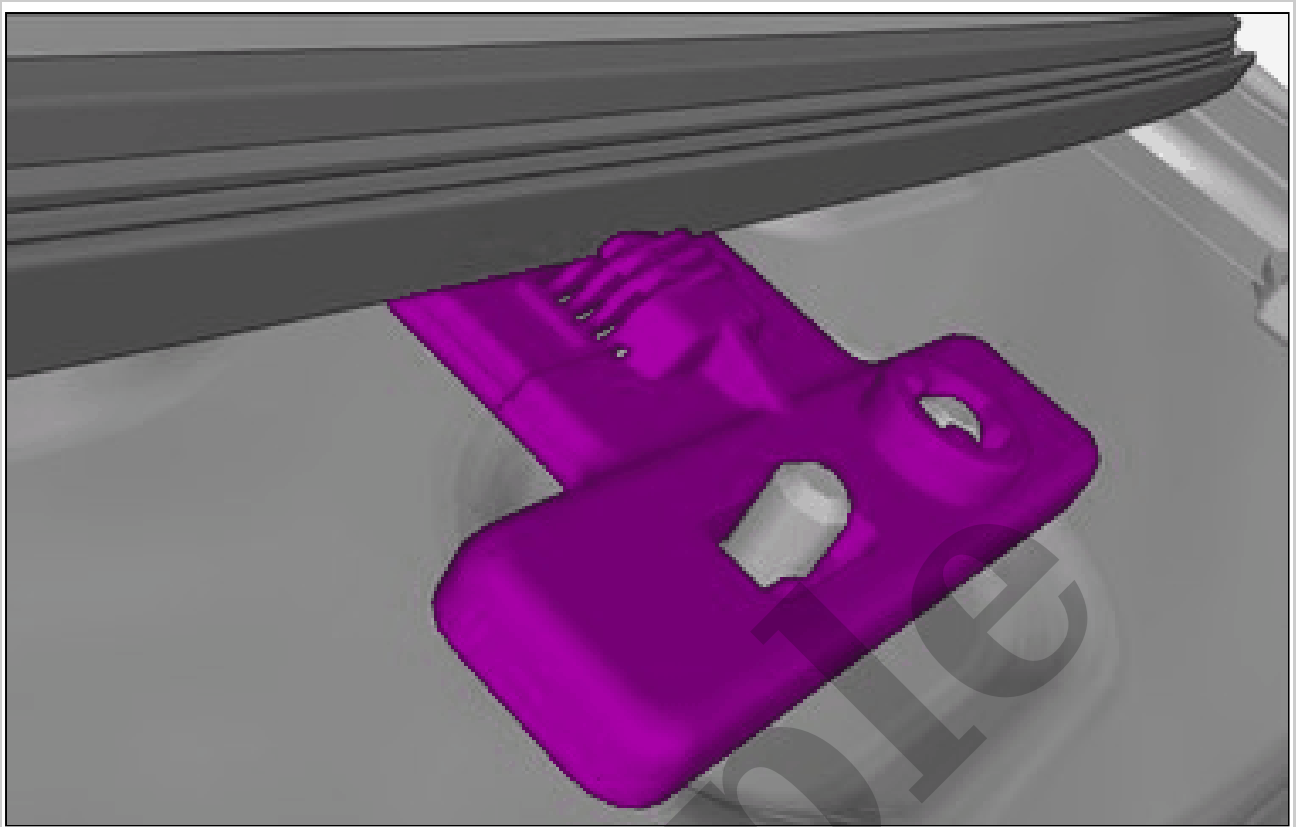


2

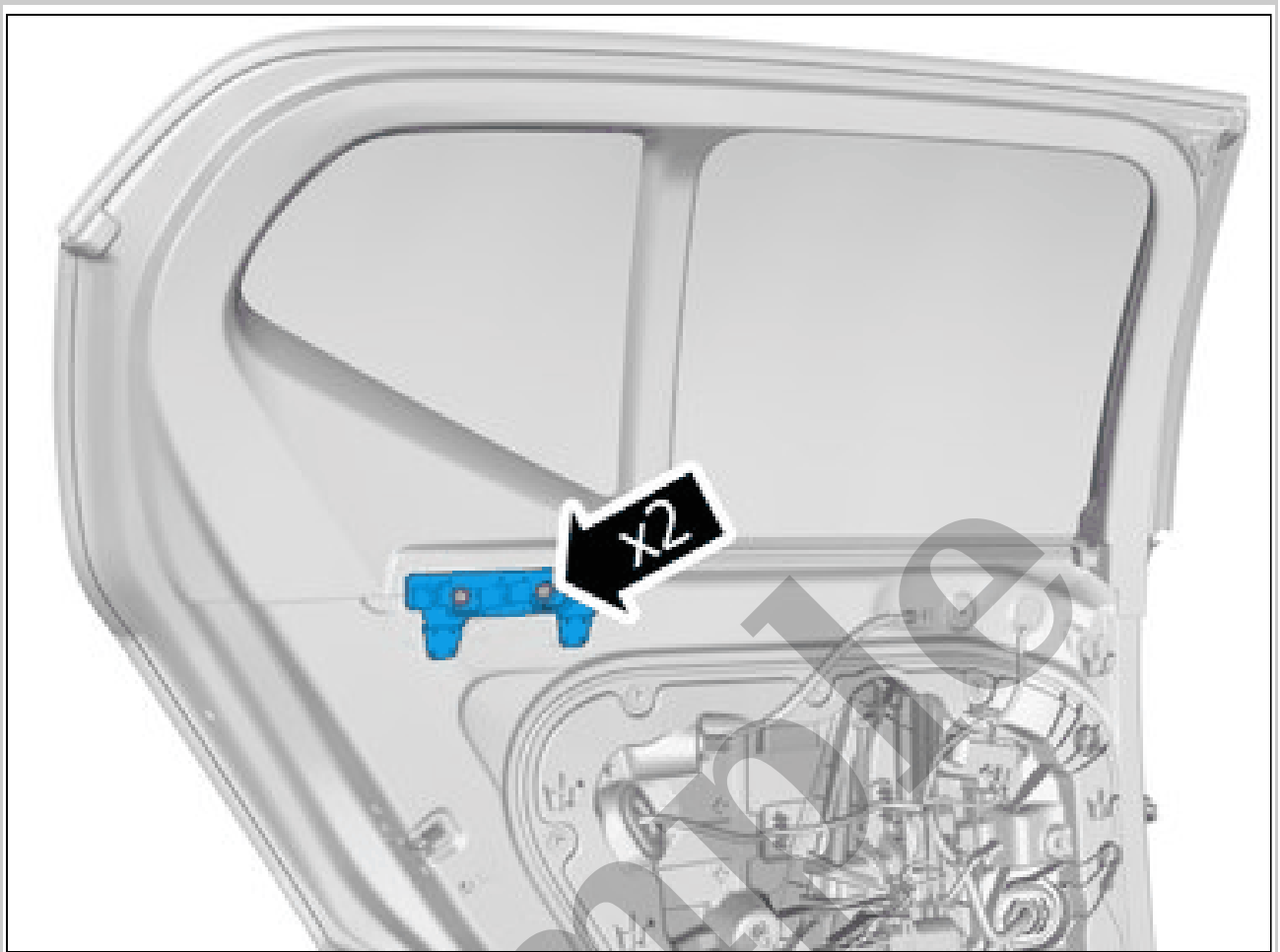


Courtesy of VOLVO CARS CORPORATION

1. **Use:** Mixer nozzle, window, 32244510
2. **Use:** Mixer nozzle, body, 32244509

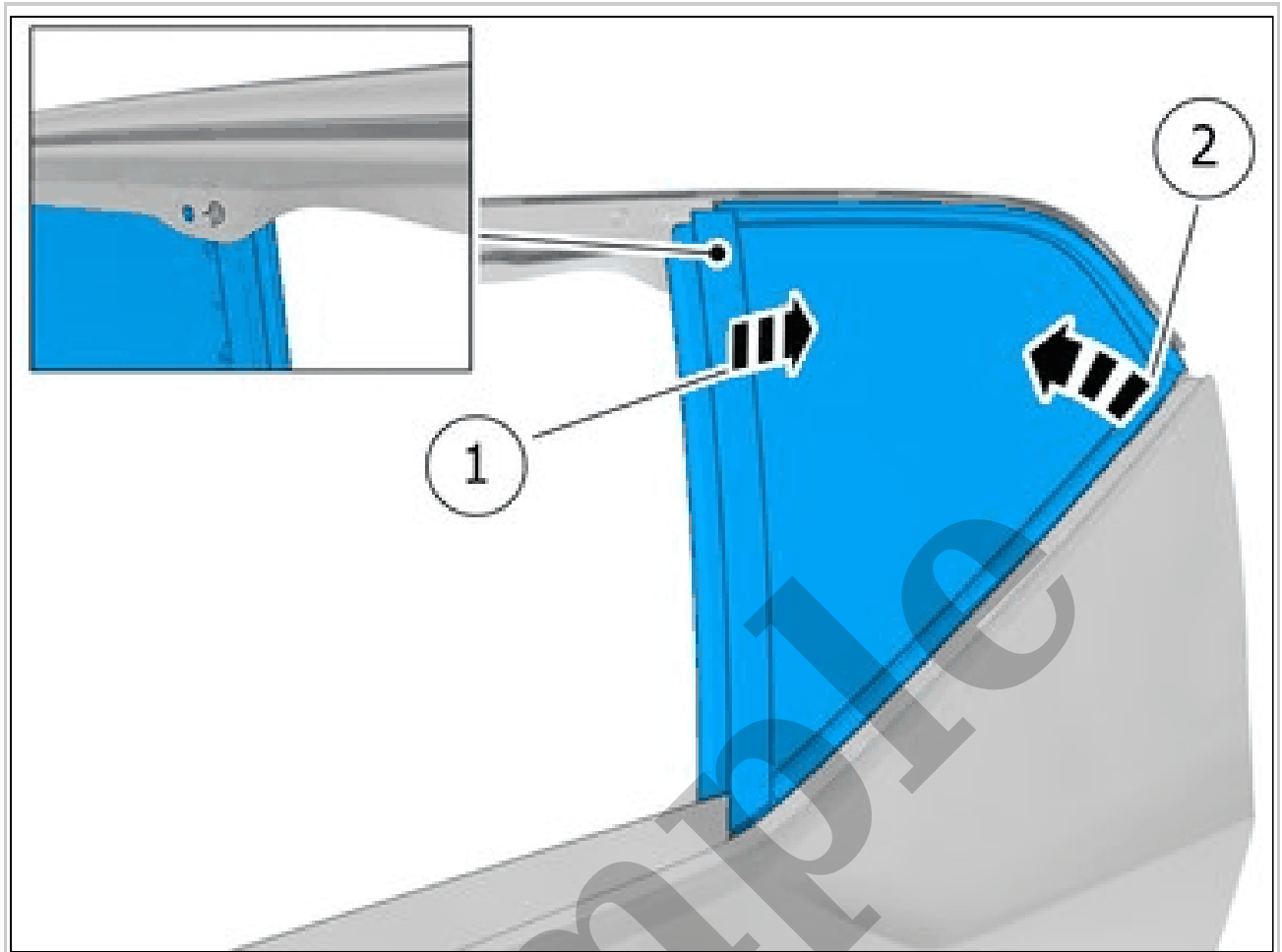


Courtesy of VOLVO CARS CORPORATION



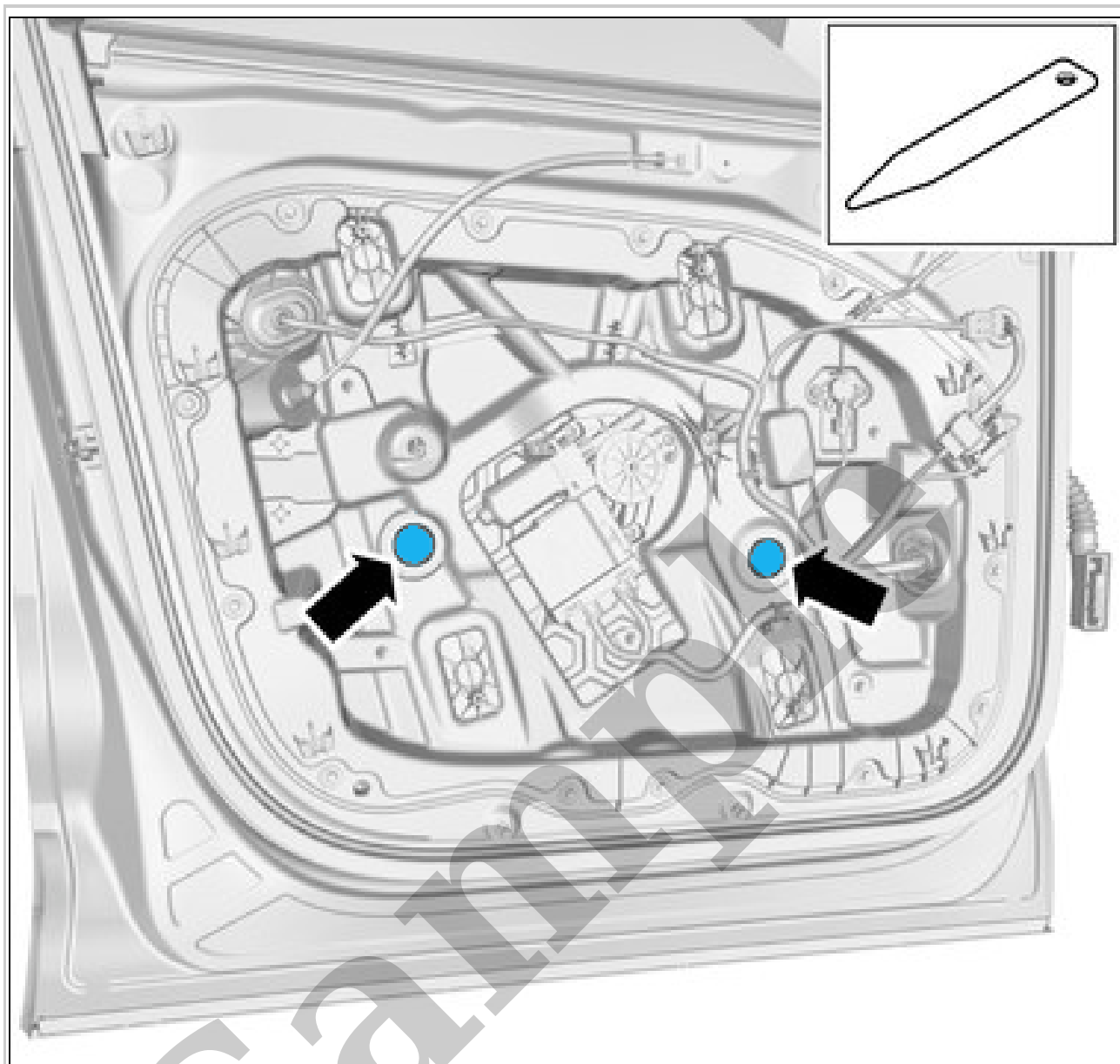
Courtesy of VOLVO CARS CORPORATION

**Torque:** M5, 5Nm  
Remove the screws.



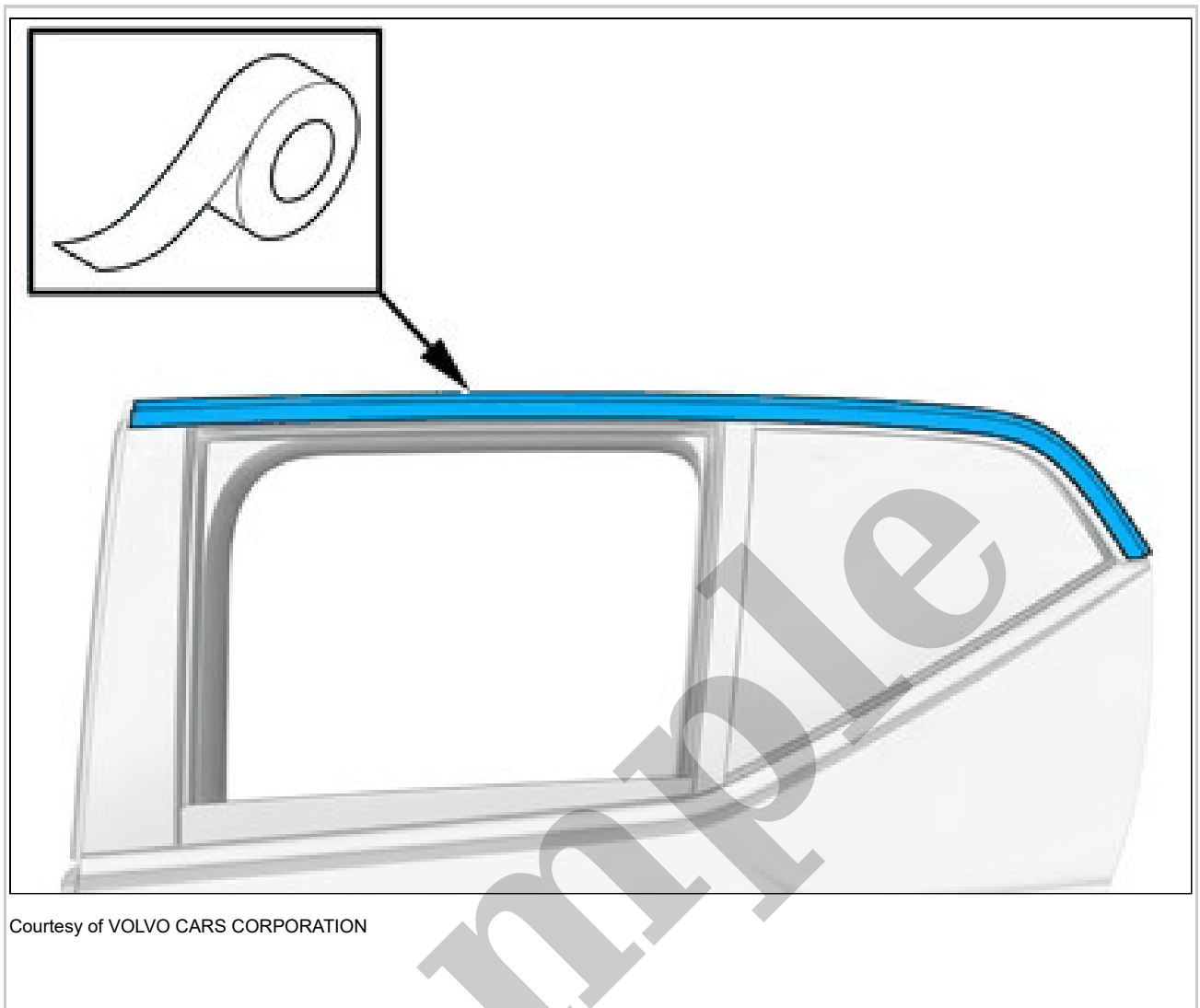
Courtesy of VOLVO CARS CORPORATION

Remove the marked part.



Courtesy of VOLVO CARS CORPORATION

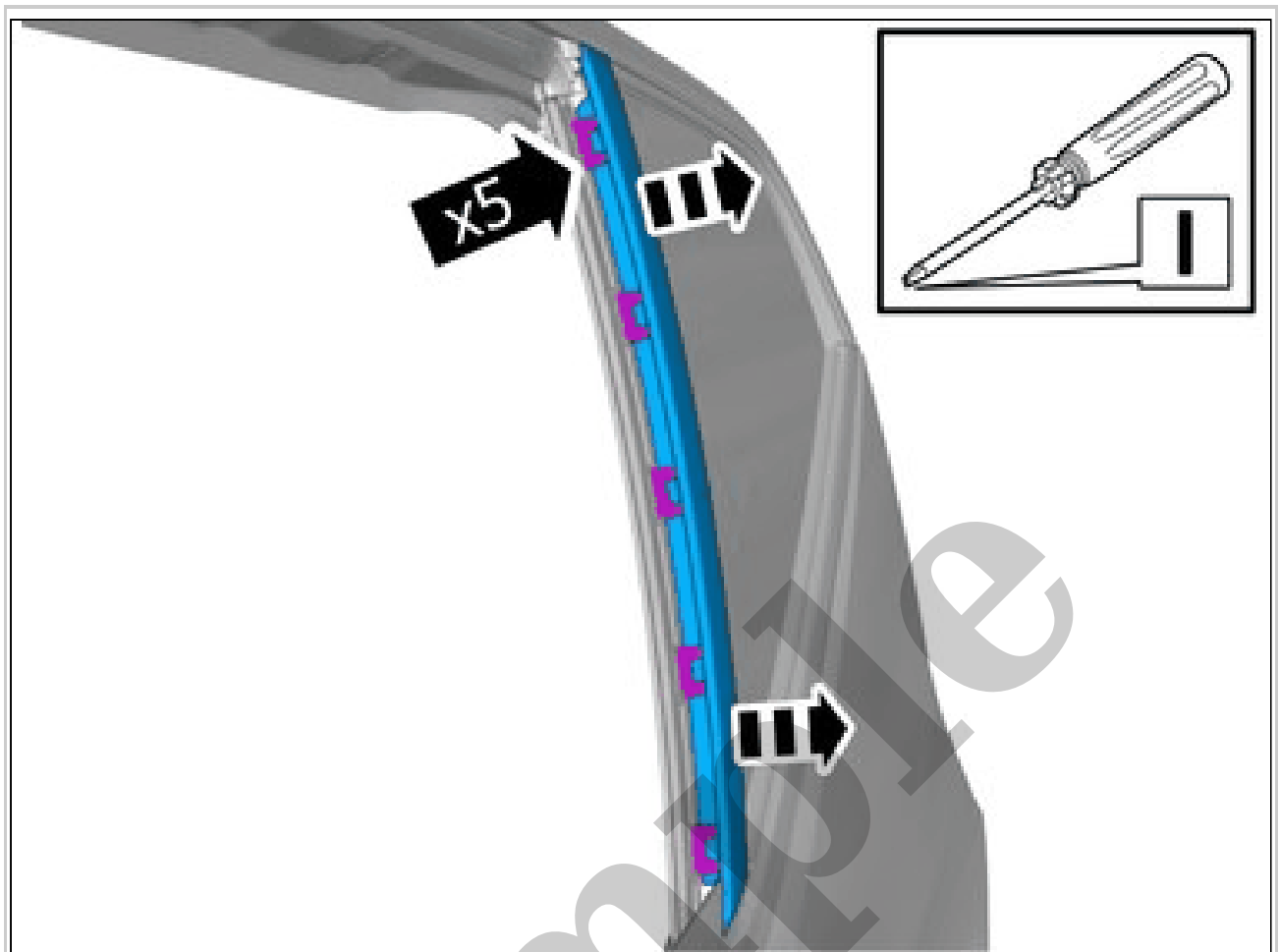
Remove the marked part.



Courtesy of VOLVO CARS CORPORATION

**CAUTION:** *Tape marked component to avoid damage.*

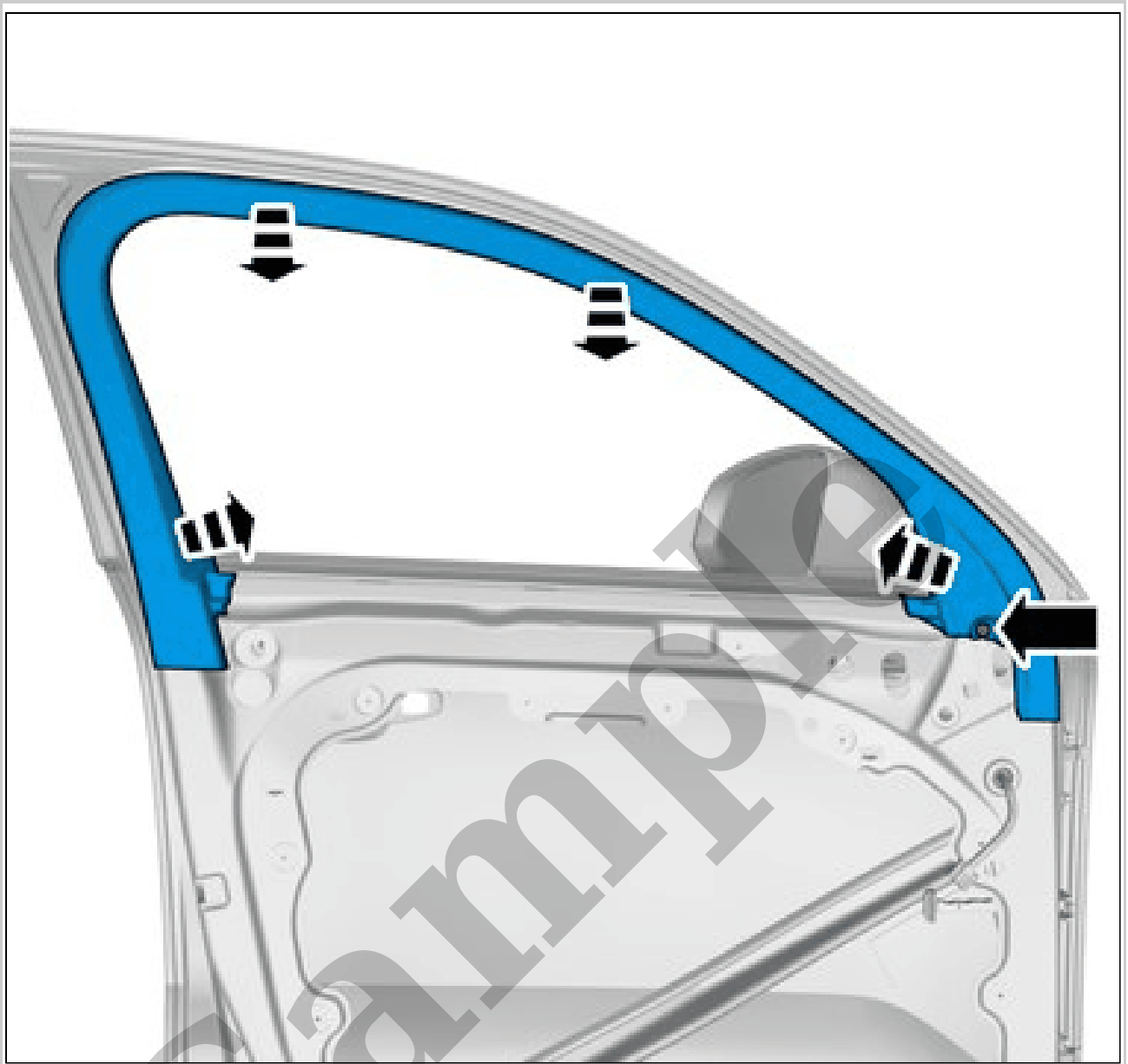
Remove panel side door rear. Refer to: PANEL REAR DOOR



Courtesy of VOLVO CARS CORPORATION

Release the catches.  
Remove the marked part.





Courtesy of VOLVO CARS CORPORATION

Remove the clips.

Remove the marked part.

See information about components with double-sided adhesive tape. Refer to: COMPONENTS WITH DOUBLE-SIDED TAPE



Courtesy of VOLVO CARS CORPORATION

**CAUTION:** *Make sure that the component is not bent.*

Remove the marked part.