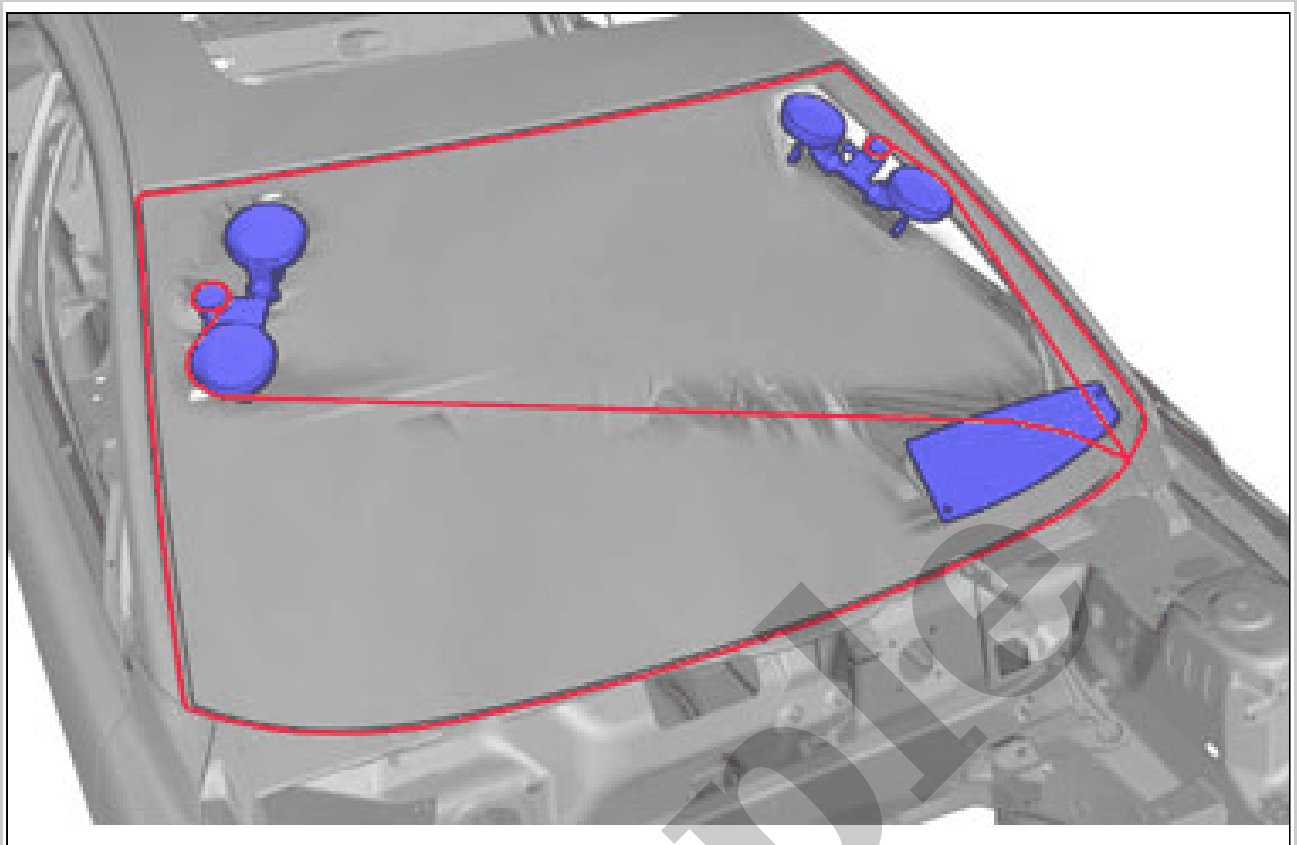


# Your Ultimate Source for OEM Repair Manuals

FactoryManuals.net is a great resource for anyone who wants to save money on repairs by doing their own work. The manuals provide detailed instructions and diagrams that make it easy to understand how to fix a vehicle.

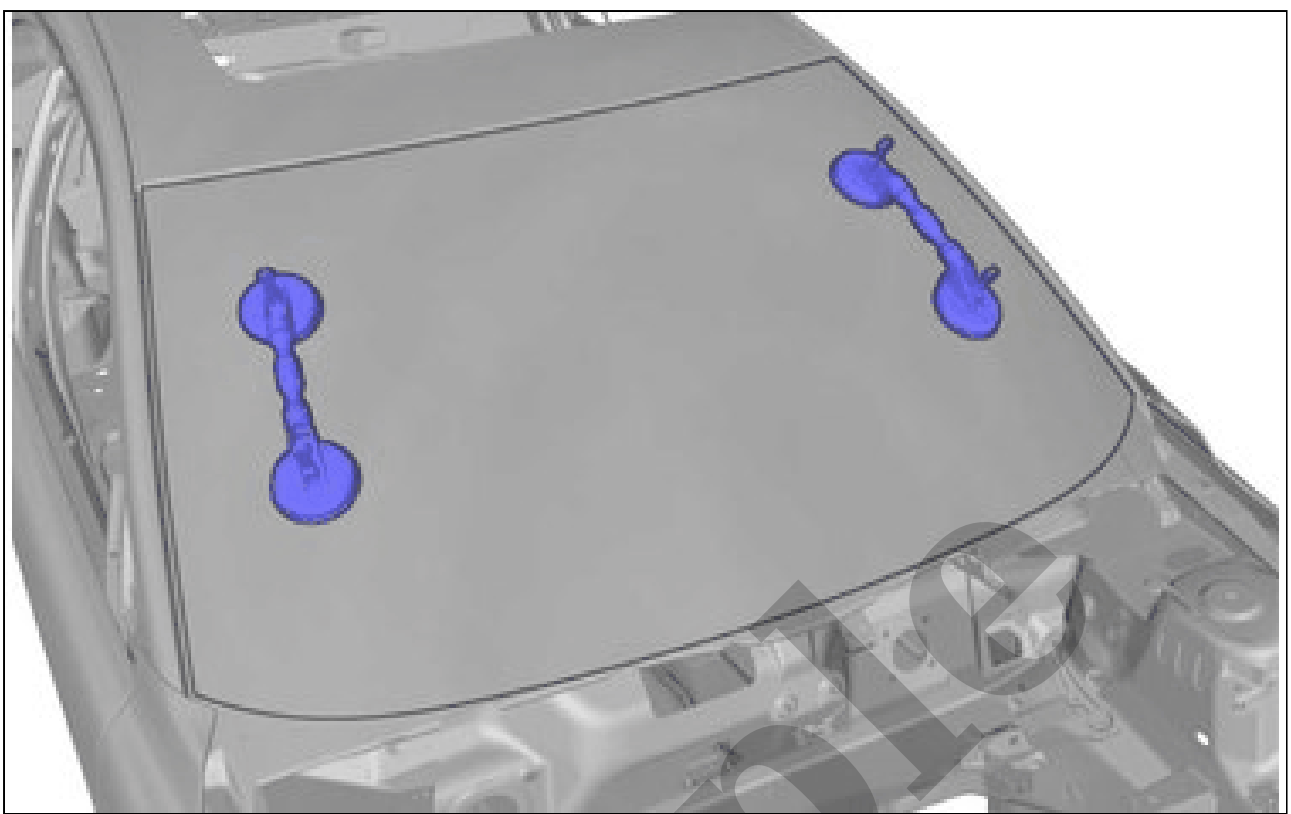
## 2005 VOLVO S80 OEM Service and Repair Workshop Manual

[Go to manual page](#)



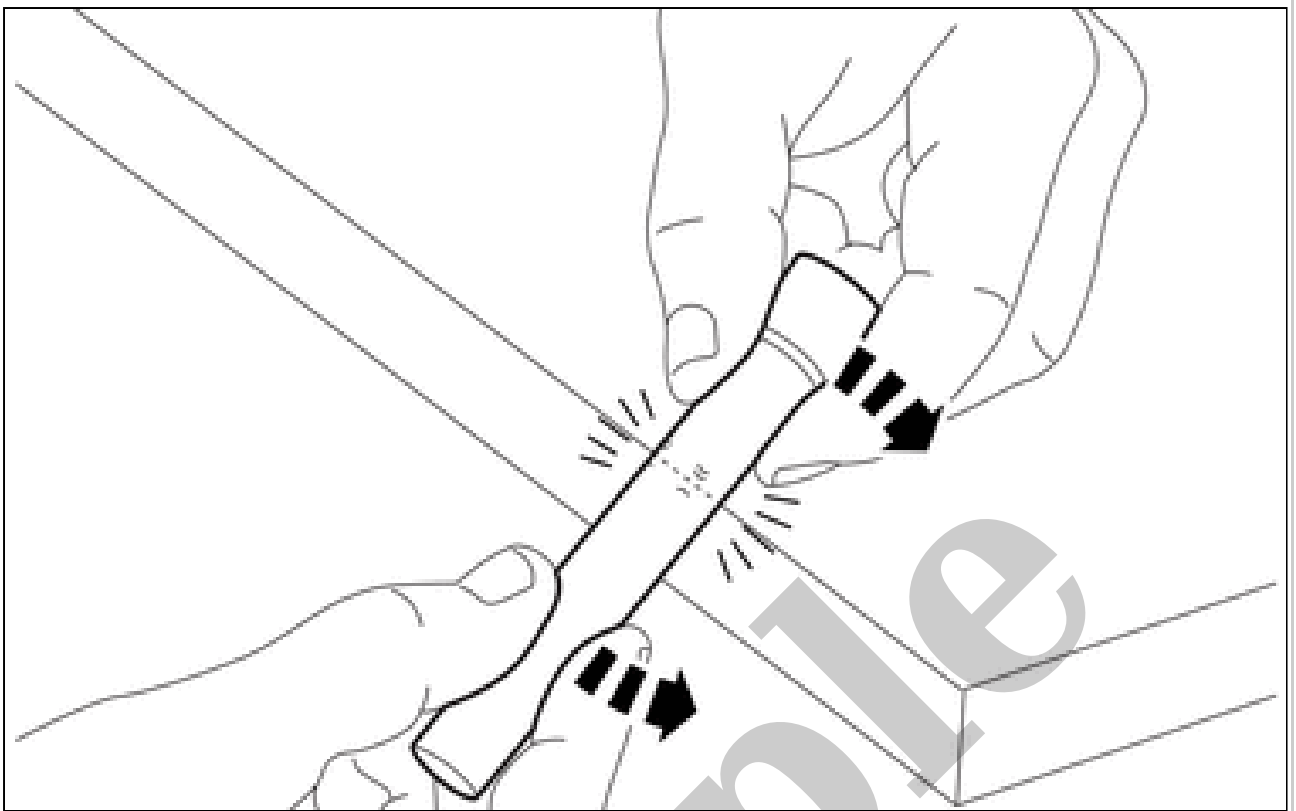
Courtesy of VOLVO CARS CORPORATION

**WARNING:** *Wear safety goggles.*



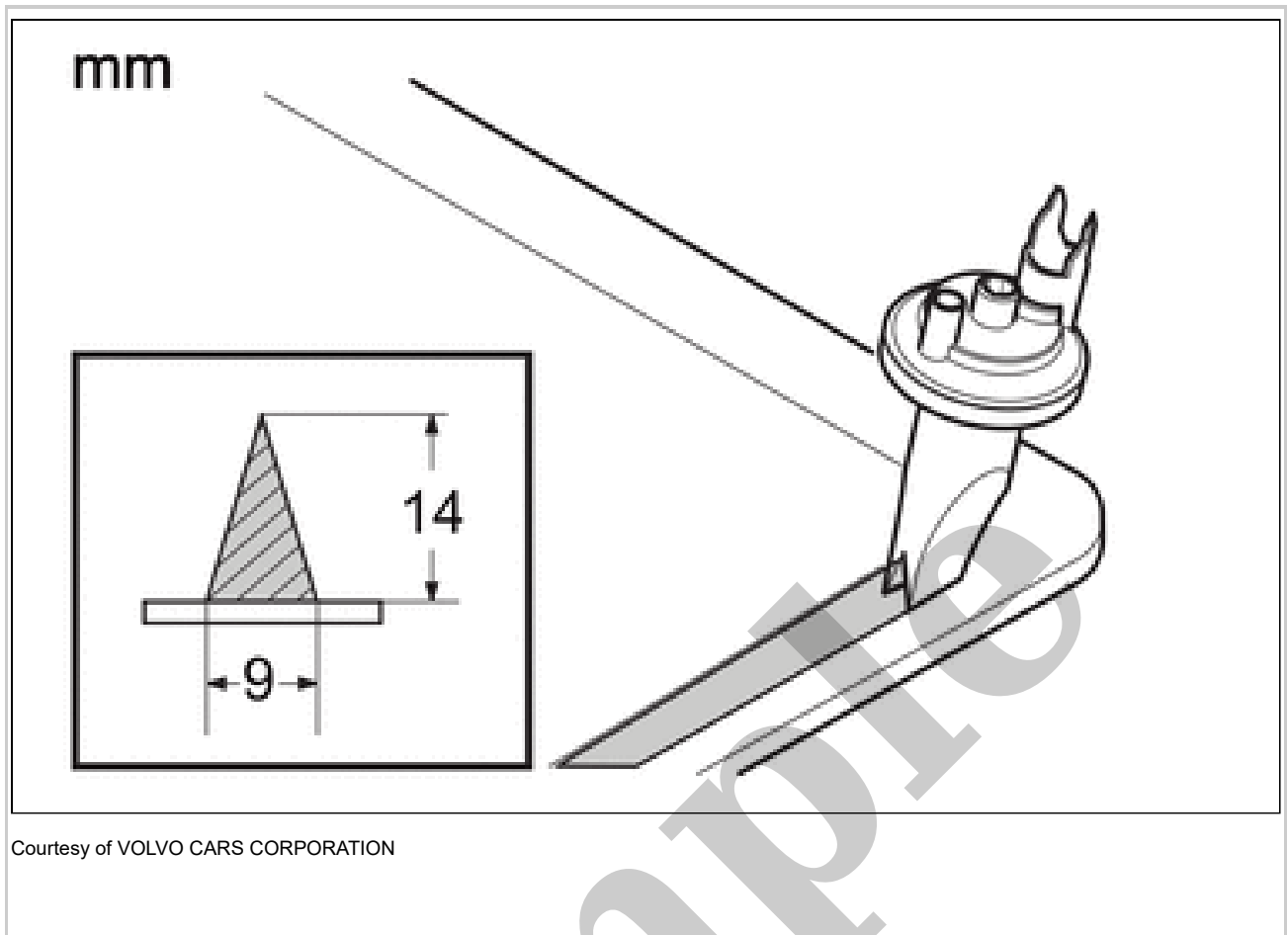
Courtesy of VOLVO CARS CORPORATION

Special Tool: 951 2335 Window lifter 2 pieces



Courtesy of VOLVO CARS CORPORATION

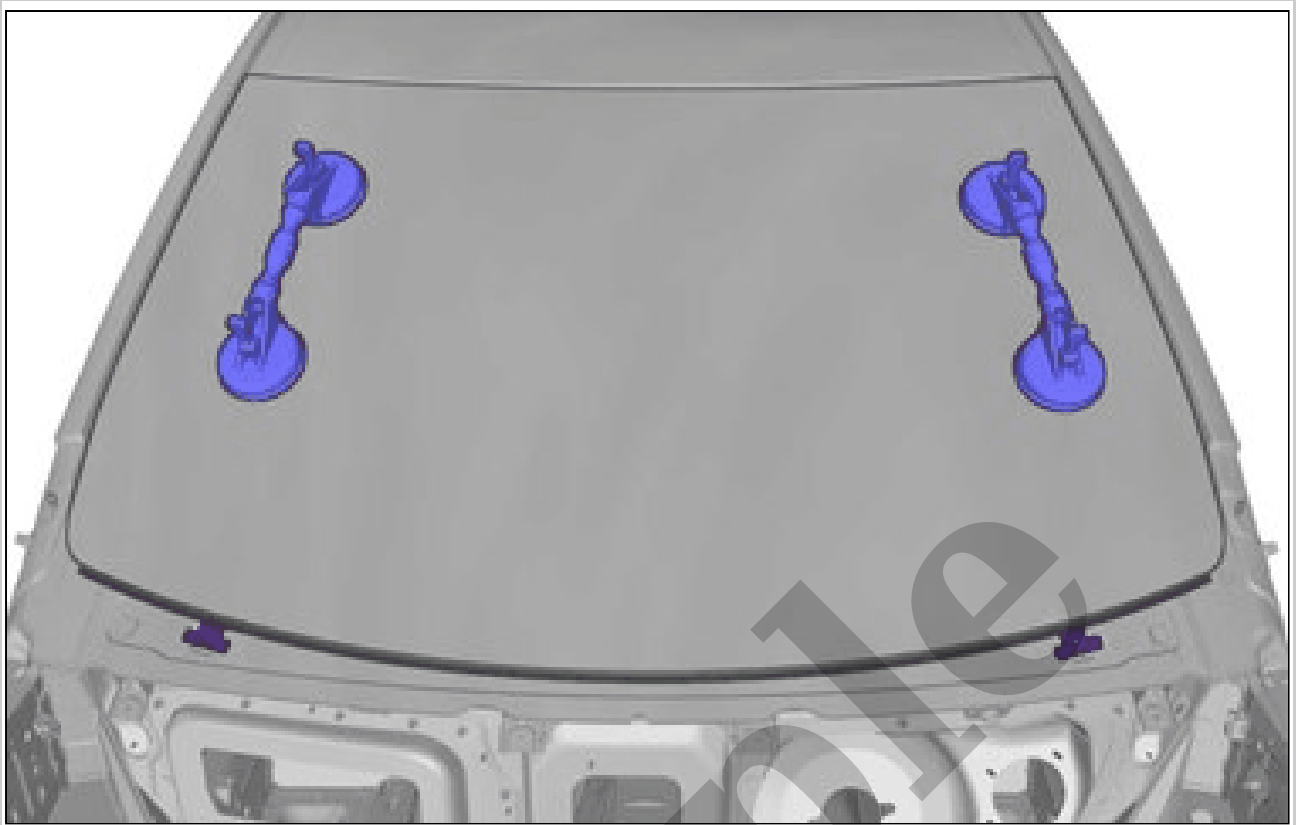
Sample



Special Tool: 981 4259 Glue gun, EU/UK Special Tool: 981 4260 Glue gun, US Special Tool: 981 4261 Glue gun, AU/NZ

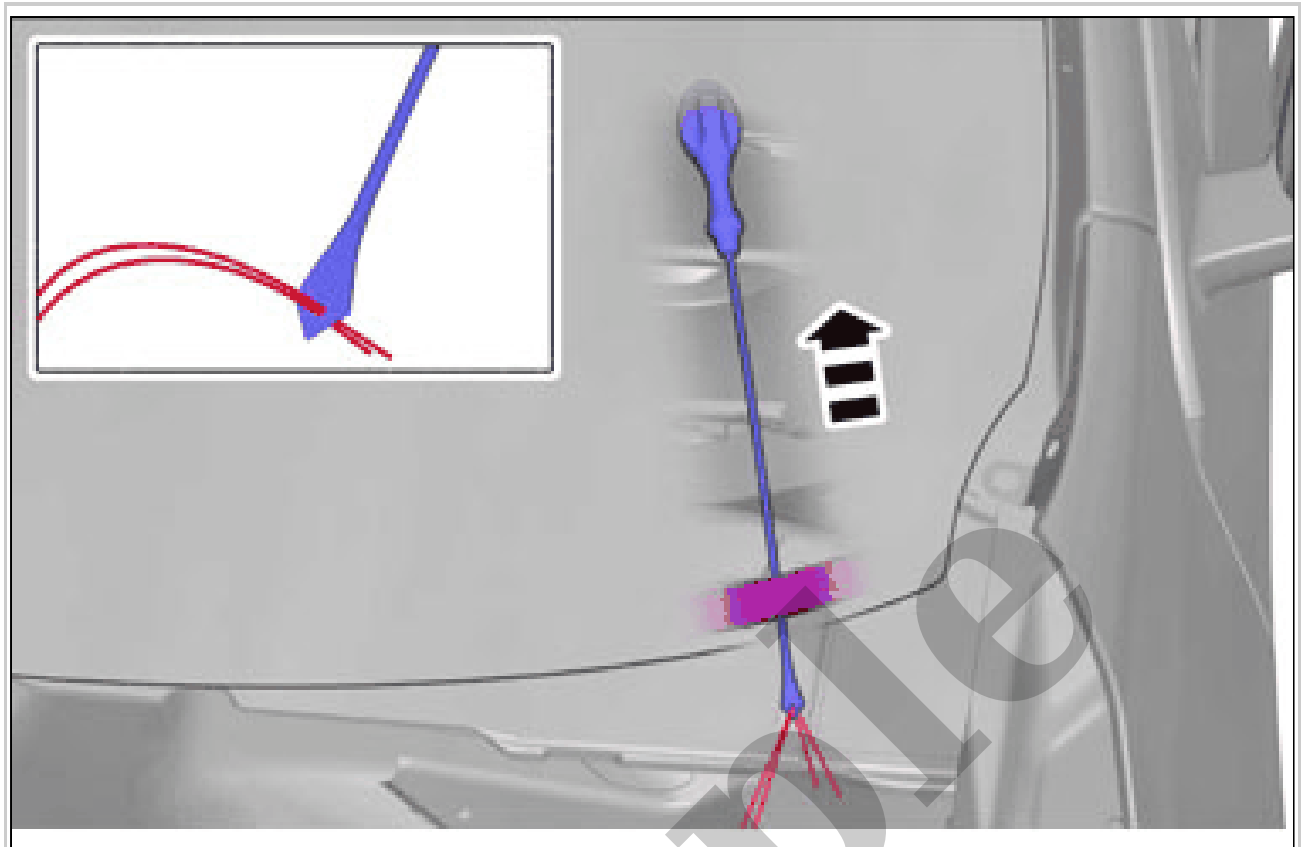
**Use:** Adhesive kit, 32132745 (US), (EU), (OS) **Use:** Adhesive kit, 32132746 (CA) **Use:** Adhesive kit, 32132747 (CN)

When applied, hold the glue gun according to the nozzle angle.



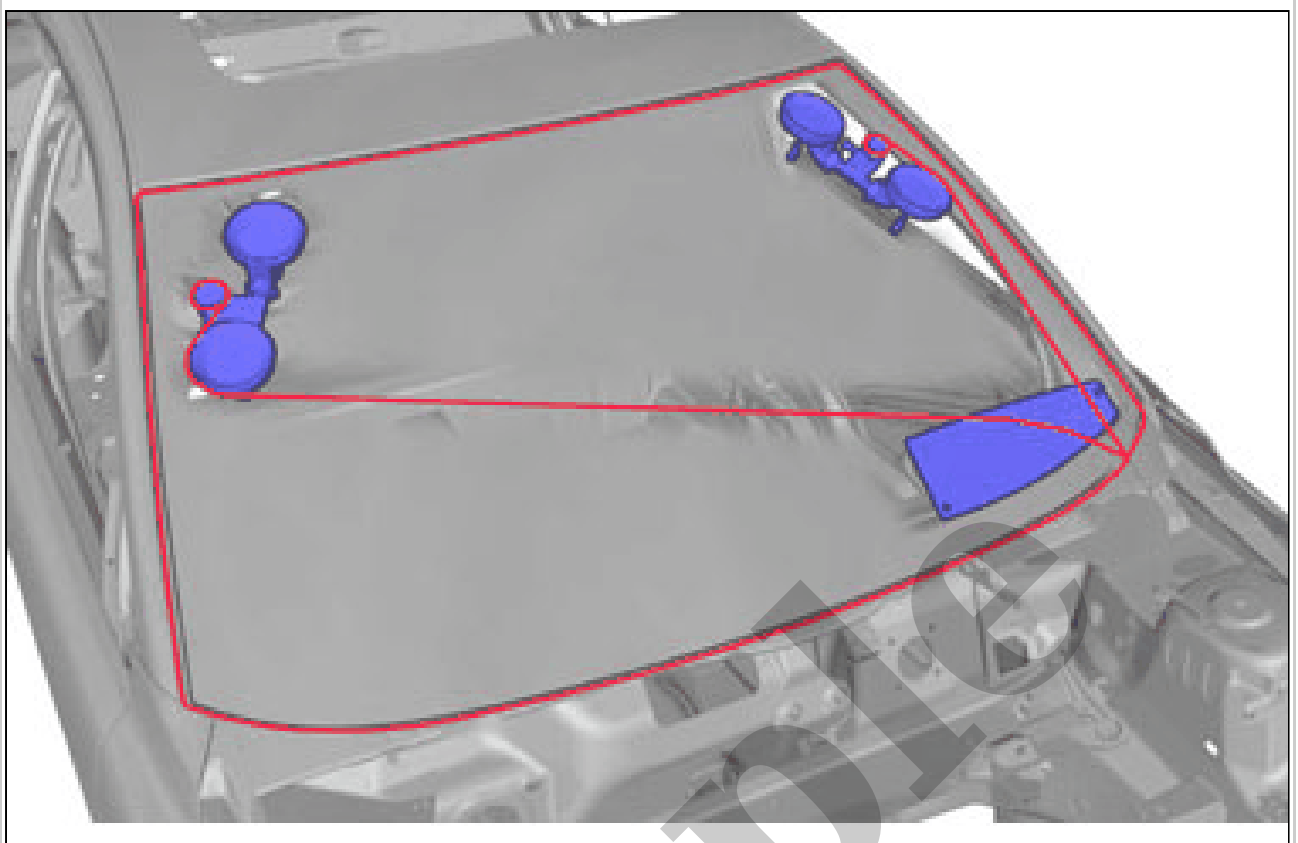
Courtesy of VOLVO CARS CORPORATION

Sample



Courtesy of VOLVO CARS CORPORATION

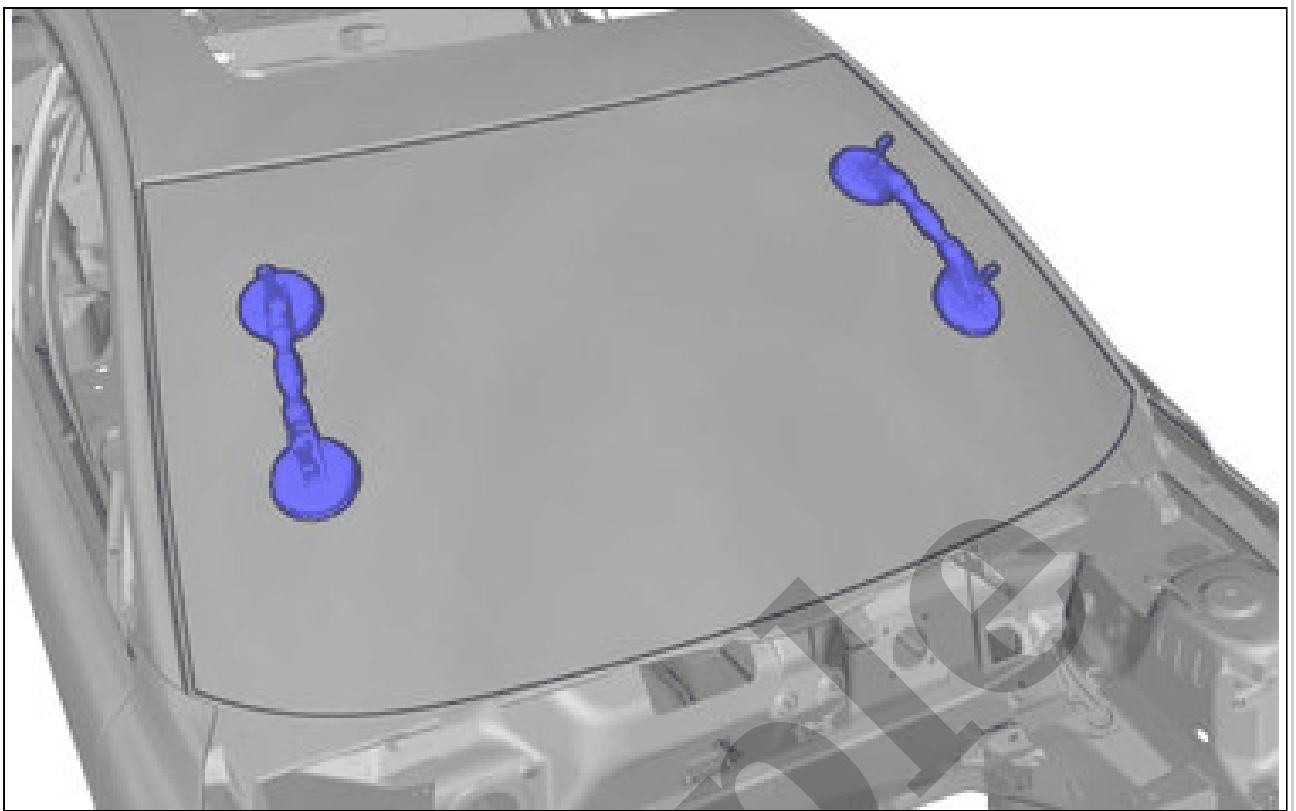
Sample



Courtesy of VOLVO CARS CORPORATION

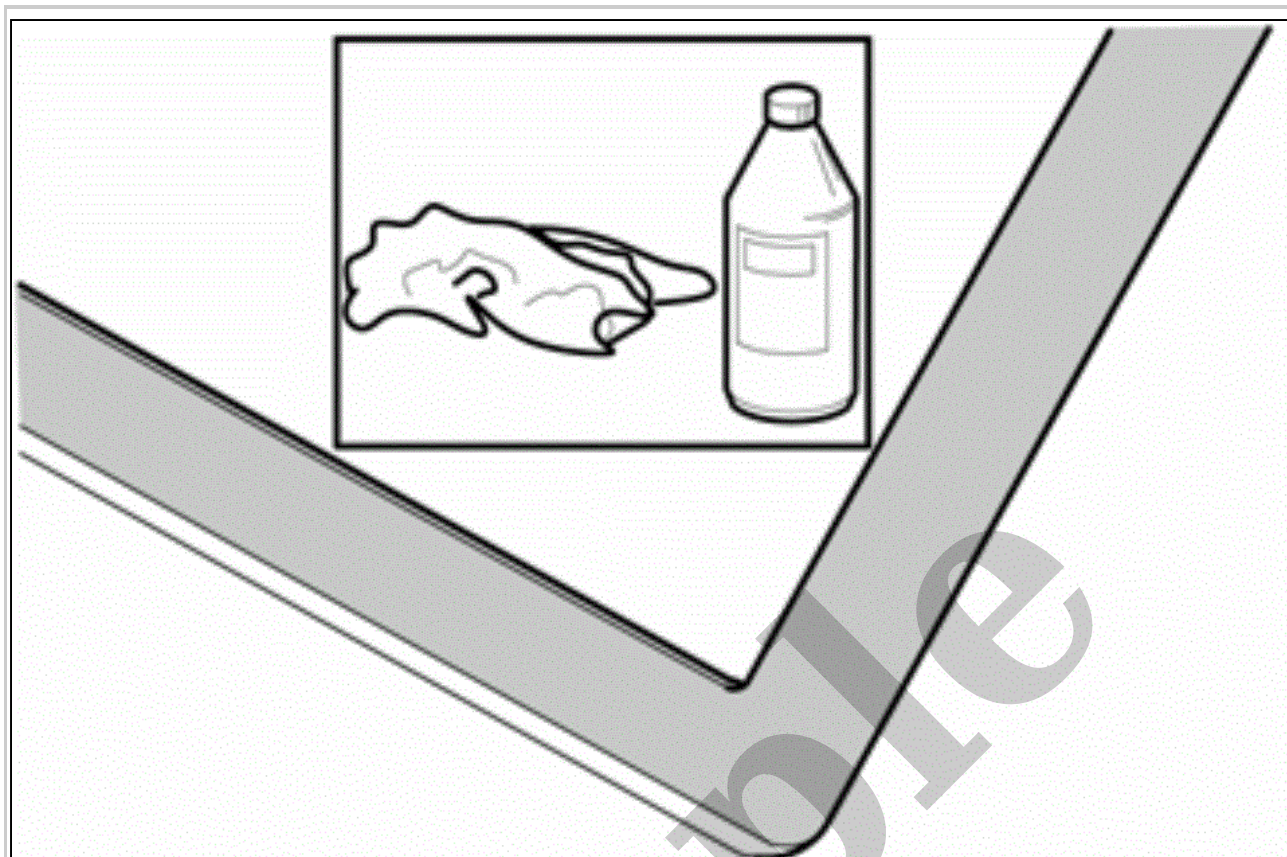
**WARNING:** *Wear safety goggles.*





Courtesy of VOLVO CARS CORPORATION

Special Tool: 951 2335 Window lifter 2 pieces



Courtesy of VOLVO CARS CORPORATION

**Use:** H Cleaner, 31375637