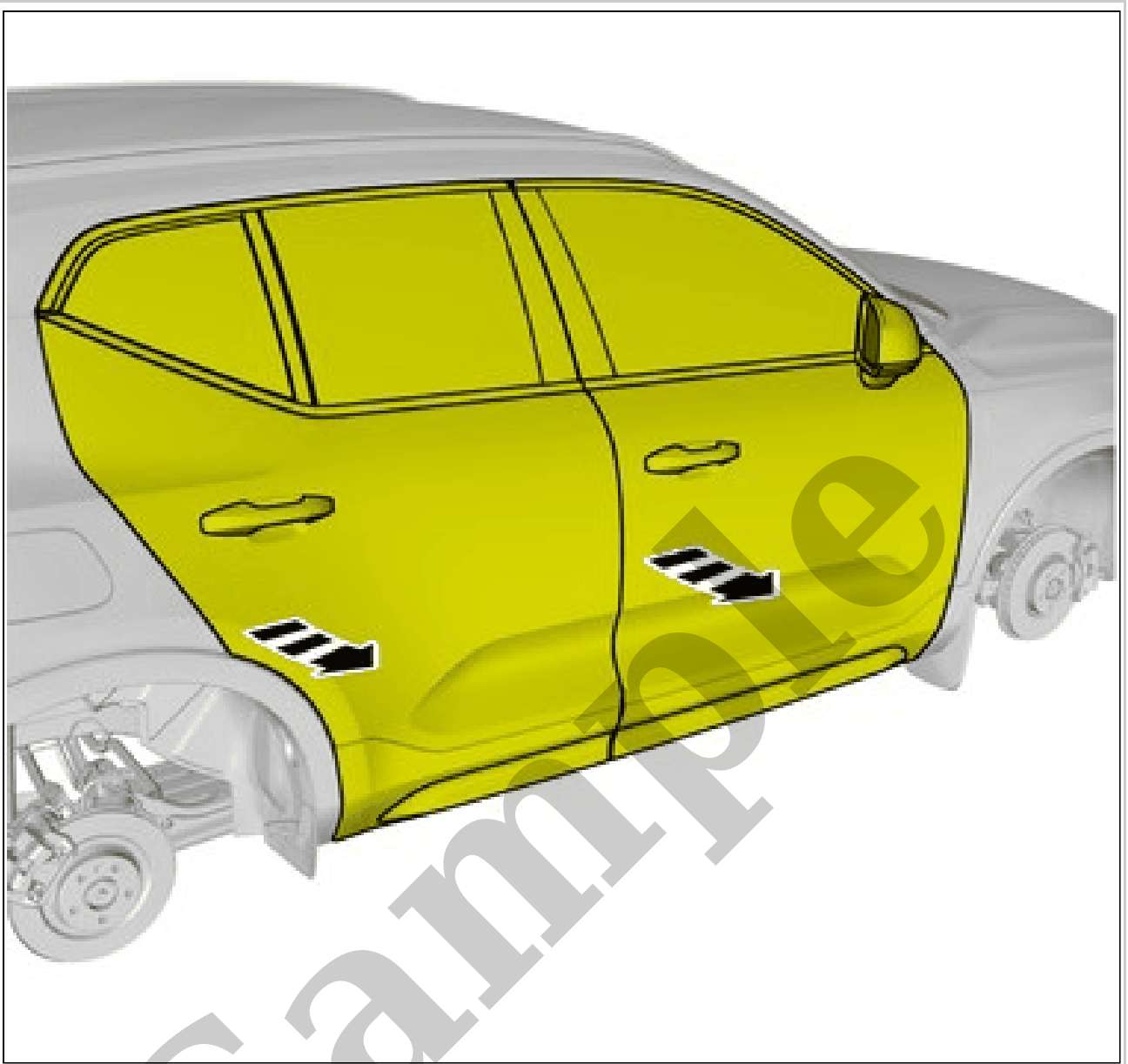


# Your Ultimate Source for OEM Repair Manuals

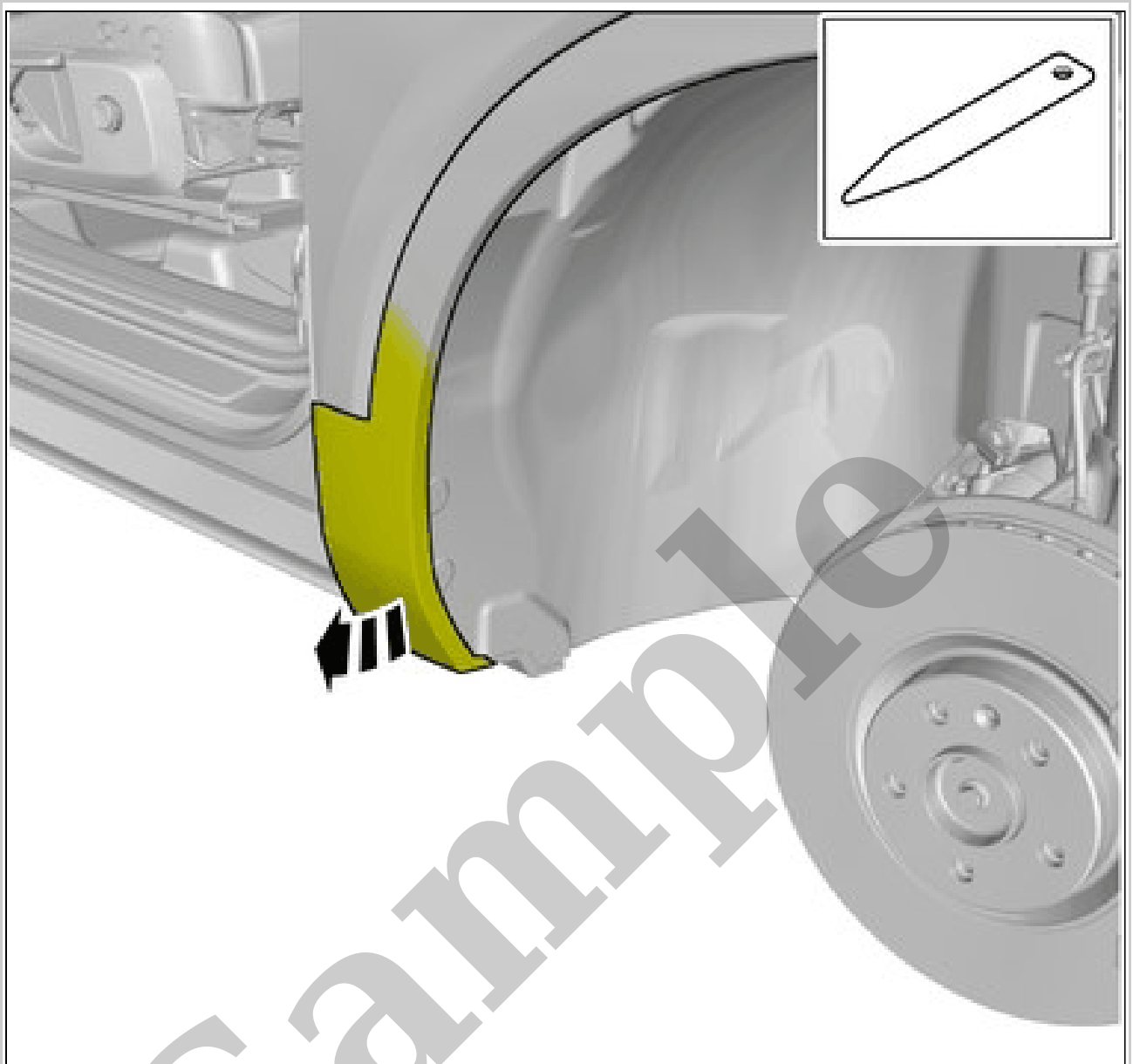
FactoryManuals.net is a great resource for anyone who wants to save money on repairs by doing their own work. The manuals provide detailed instructions and diagrams that make it easy to understand how to fix a vehicle.

## 2005 VOLVO S60 OEM Service and Repair Workshop Manual

[Go to manual page](#)



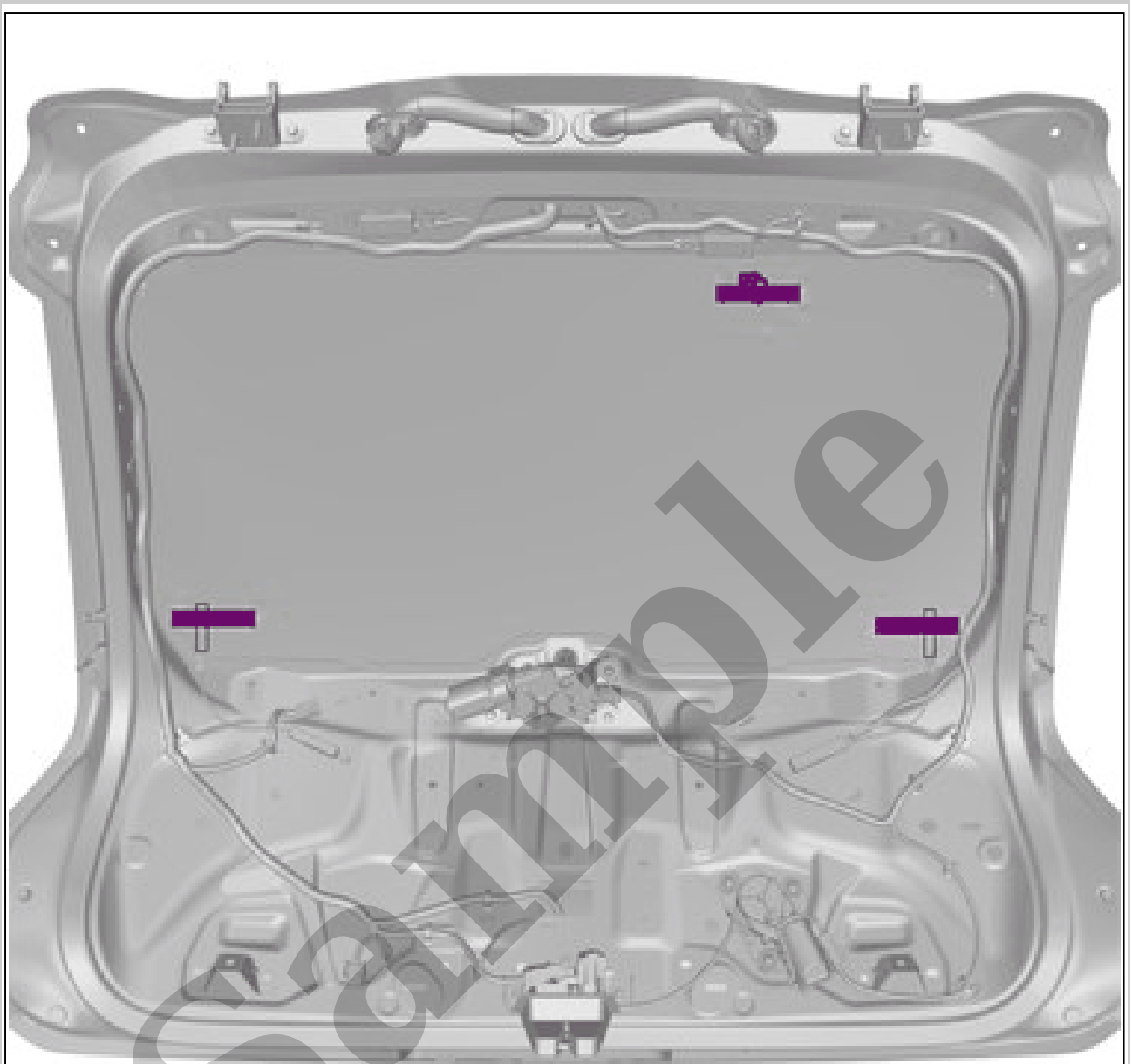
Courtesy of VOLVO CARS CORPORATION



Courtesy of VOLVO CARS CORPORATION

Remove the part carefully

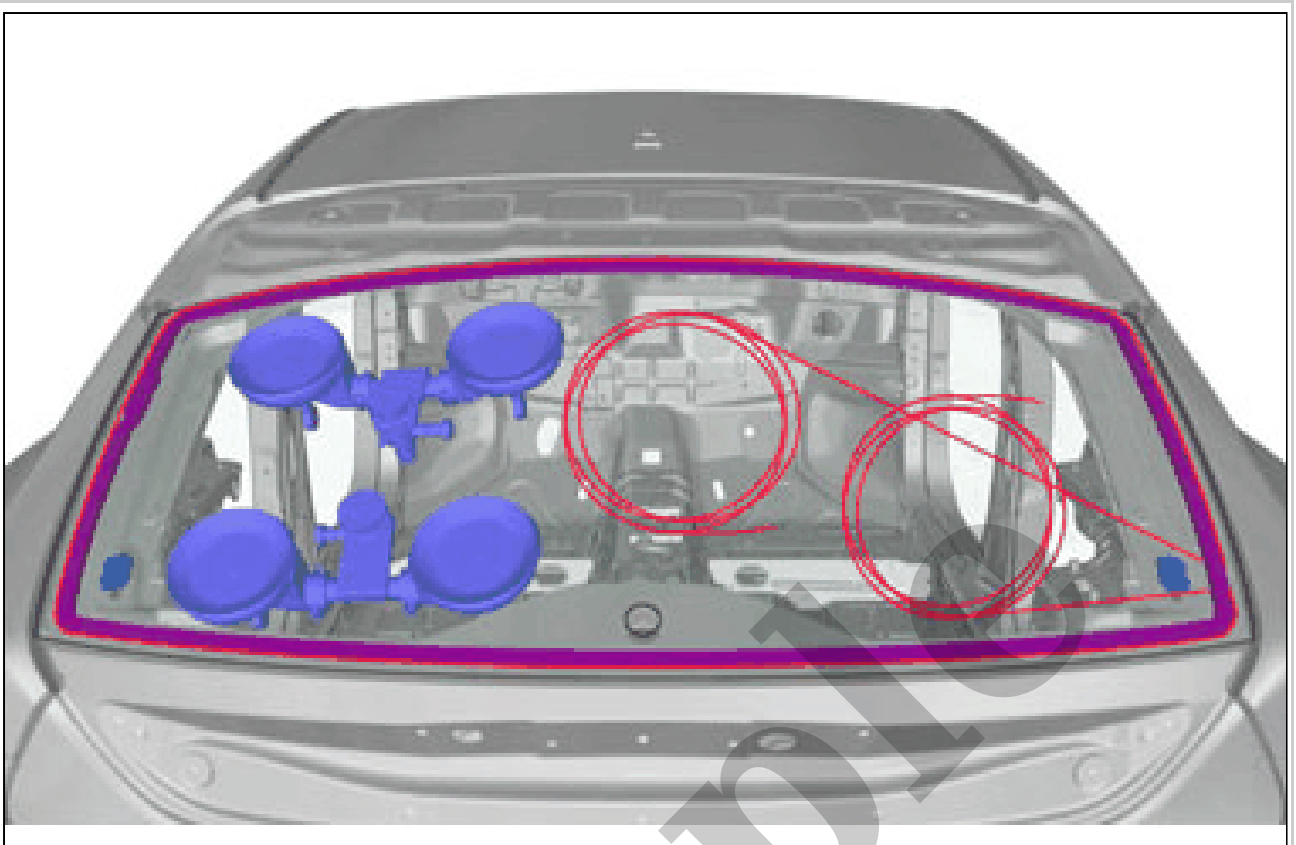
Disconnect the connectors.



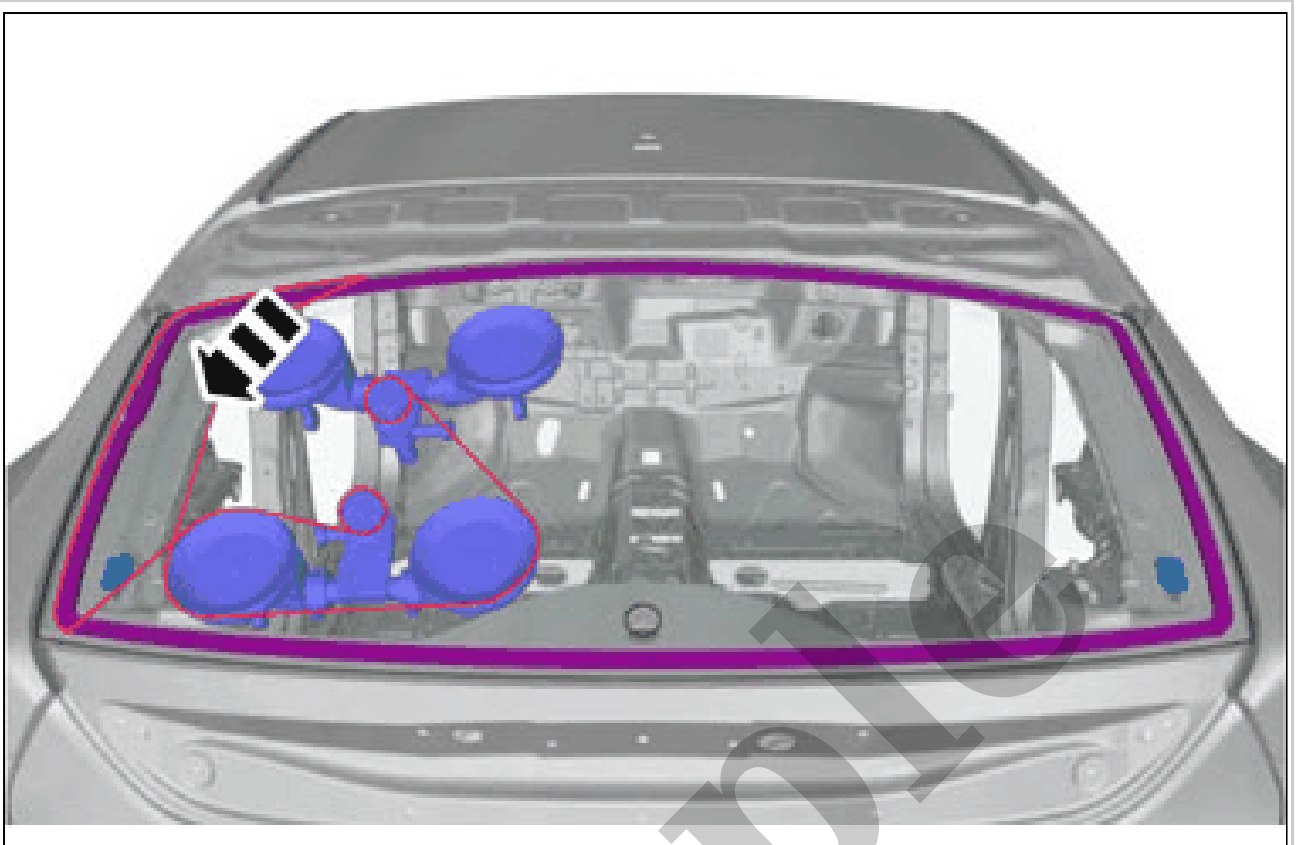
Courtesy of VOLVO CARS CORPORATION

**Use:** Tape,

**WARNING:** *Wear safety goggles.*

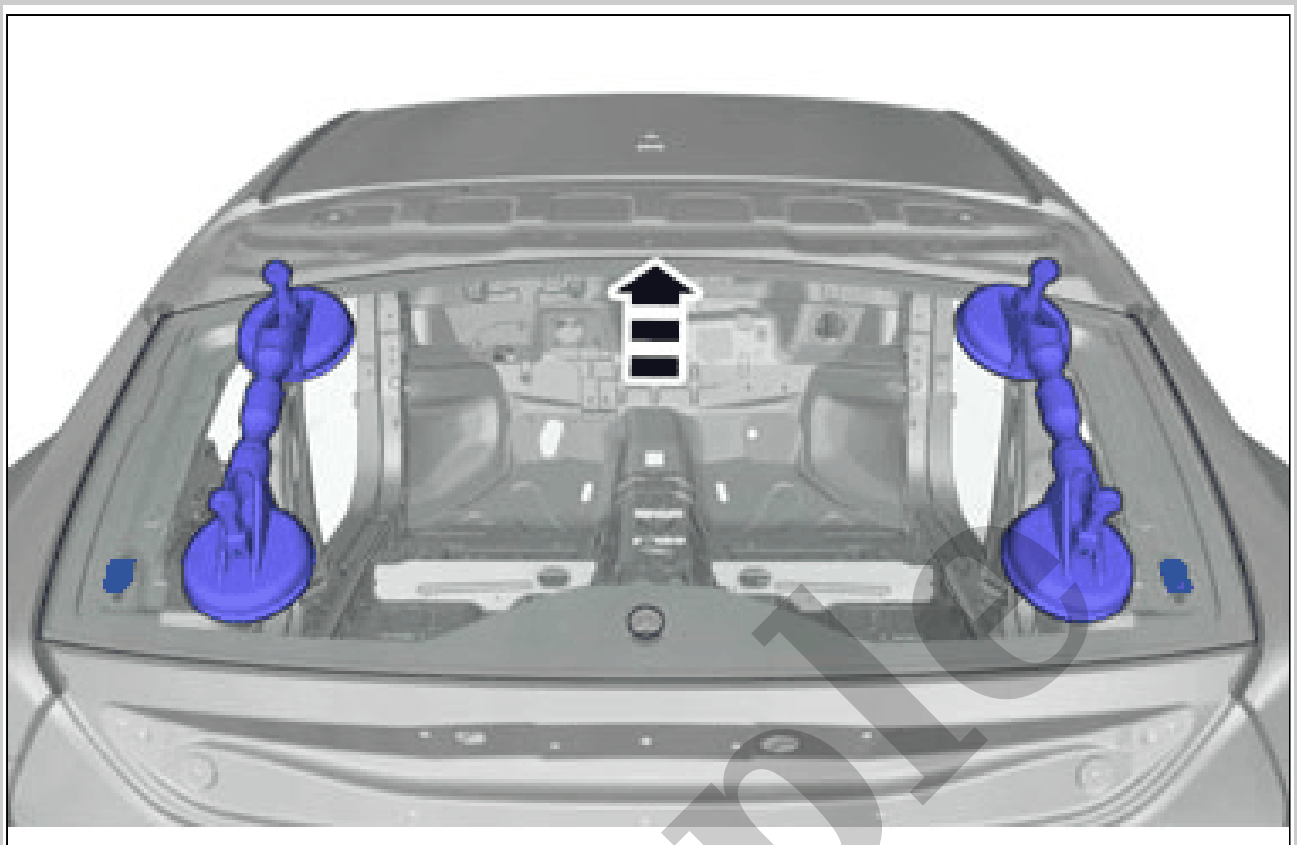


Courtesy of VOLVO CARS CORPORATION



Courtesy of VOLVO CARS CORPORATION

Sample



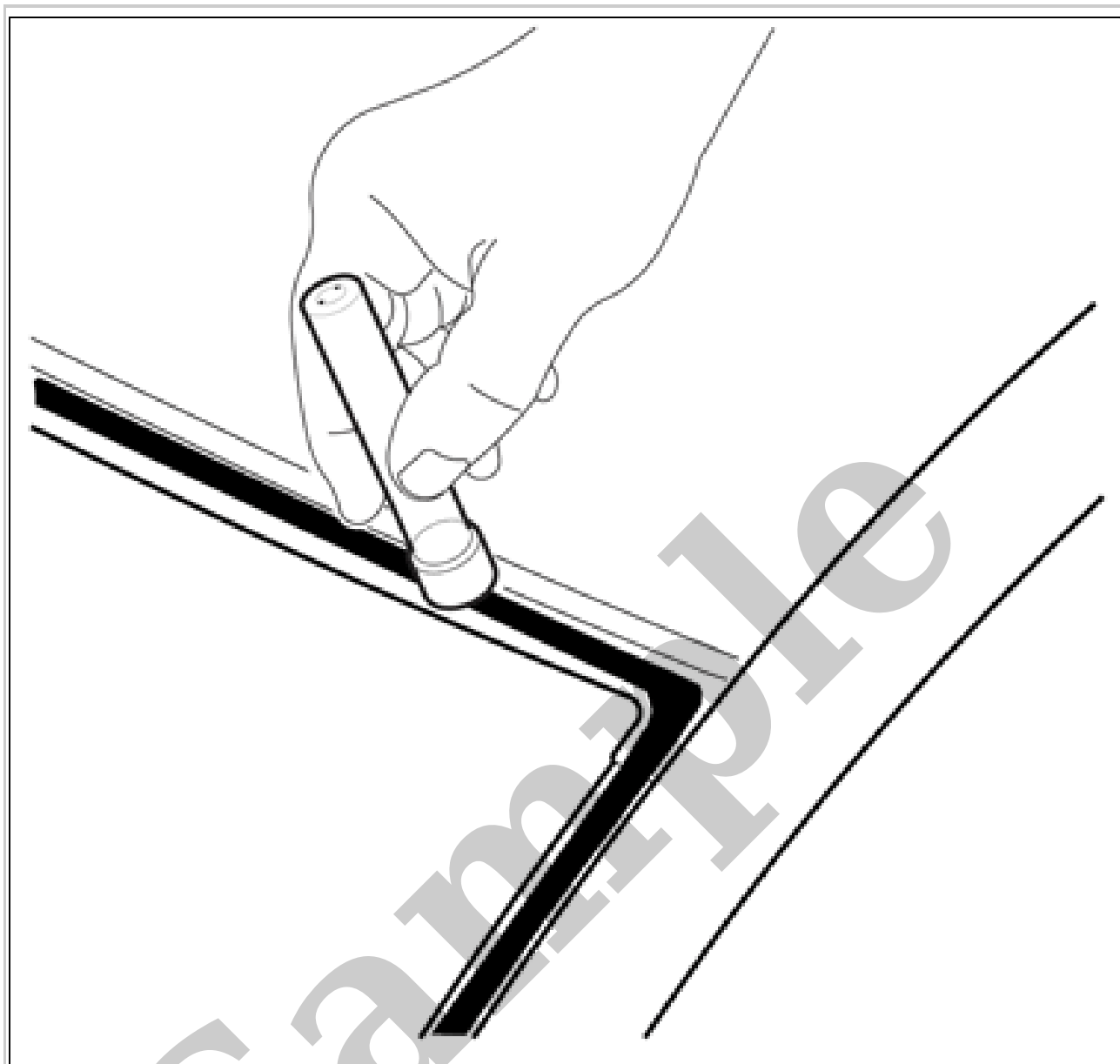
Courtesy of VOLVO CARS CORPORATION

Special Tool: 951 2335 Window lifter 2 pieces

## REAR WINDOW TAILGATE > REAR WINDOW TAILGATE [2018-2022] > INSTALLATION

See information about bonded windows, general safety information. Refer to: BONDED WINDOW, GENERAL SAFETY INFORMATION

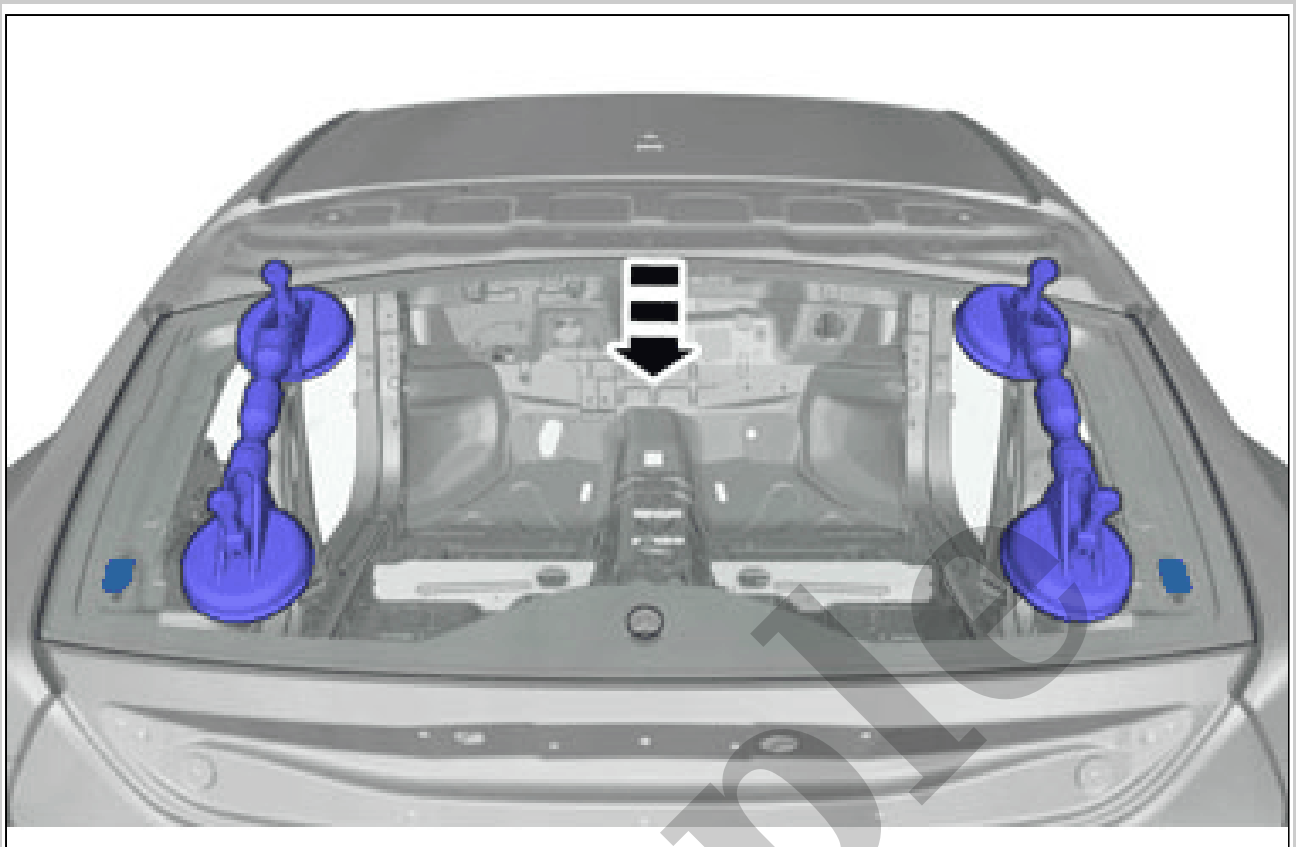
See information about bonded windows, general information. Refer to: BONDED WINDOW GENERAL, INFORMATION



Courtesy of VOLVO CARS CORPORATION

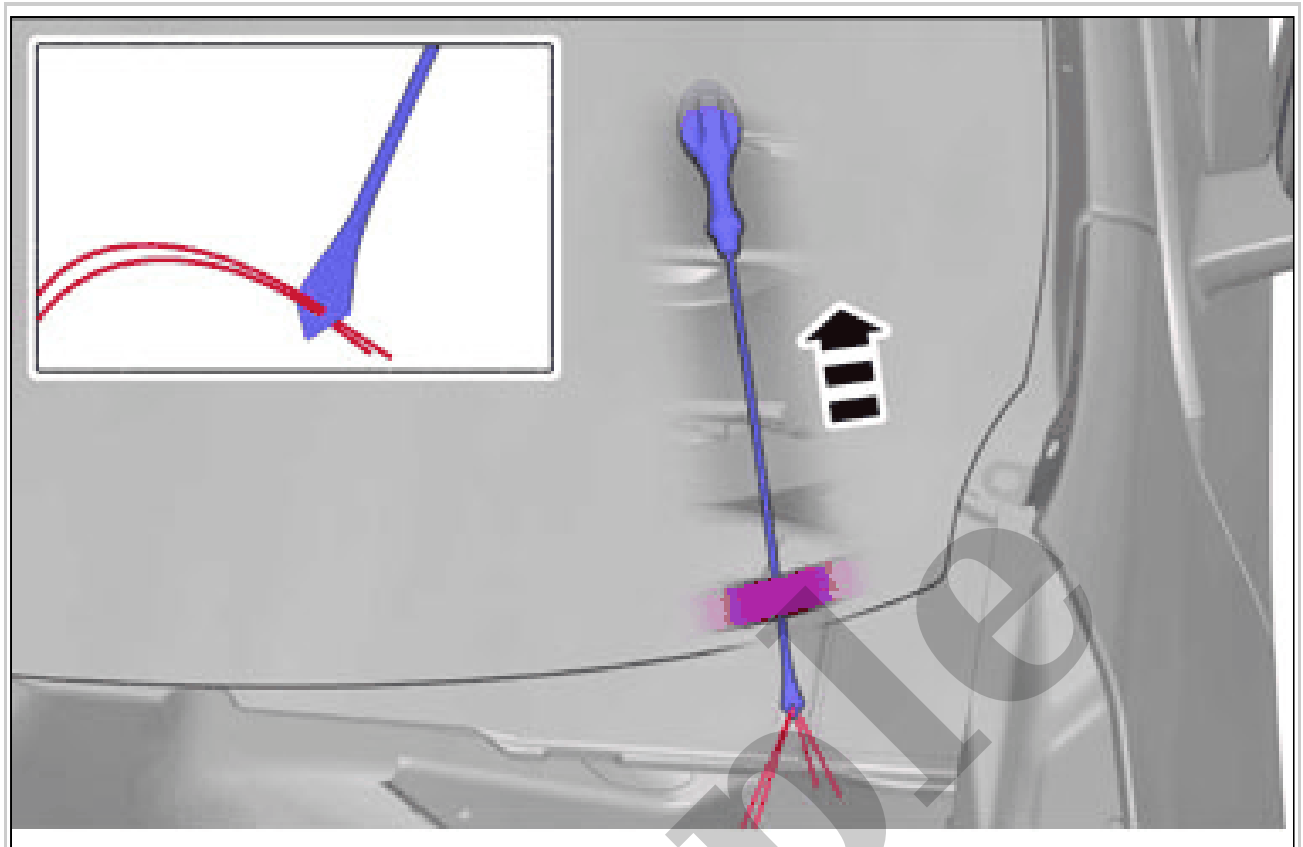
**Use:** Activator,  
Wipe dry.





Courtesy of VOLVO CARS CORPORATION

Special Tool: 951 2335 Window lifter 2 pieces



Courtesy of VOLVO CARS CORPORATION

Sample