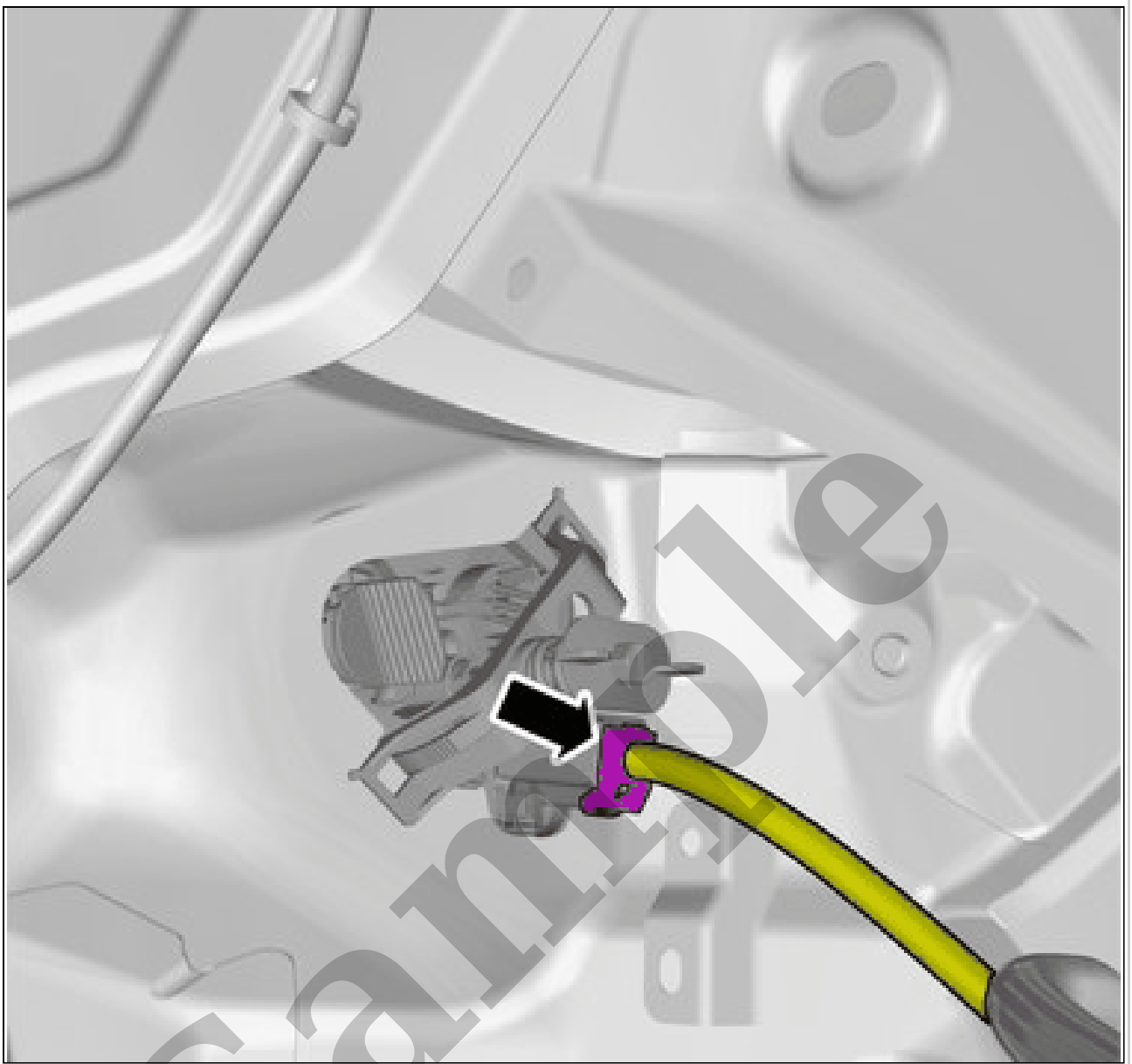


# Your Ultimate Source for OEM Repair Manuals

FactoryManuals.net is a great resource for anyone who wants to save money on repairs by doing their own work. The manuals provide detailed instructions and diagrams that make it easy to understand how to fix a vehicle.

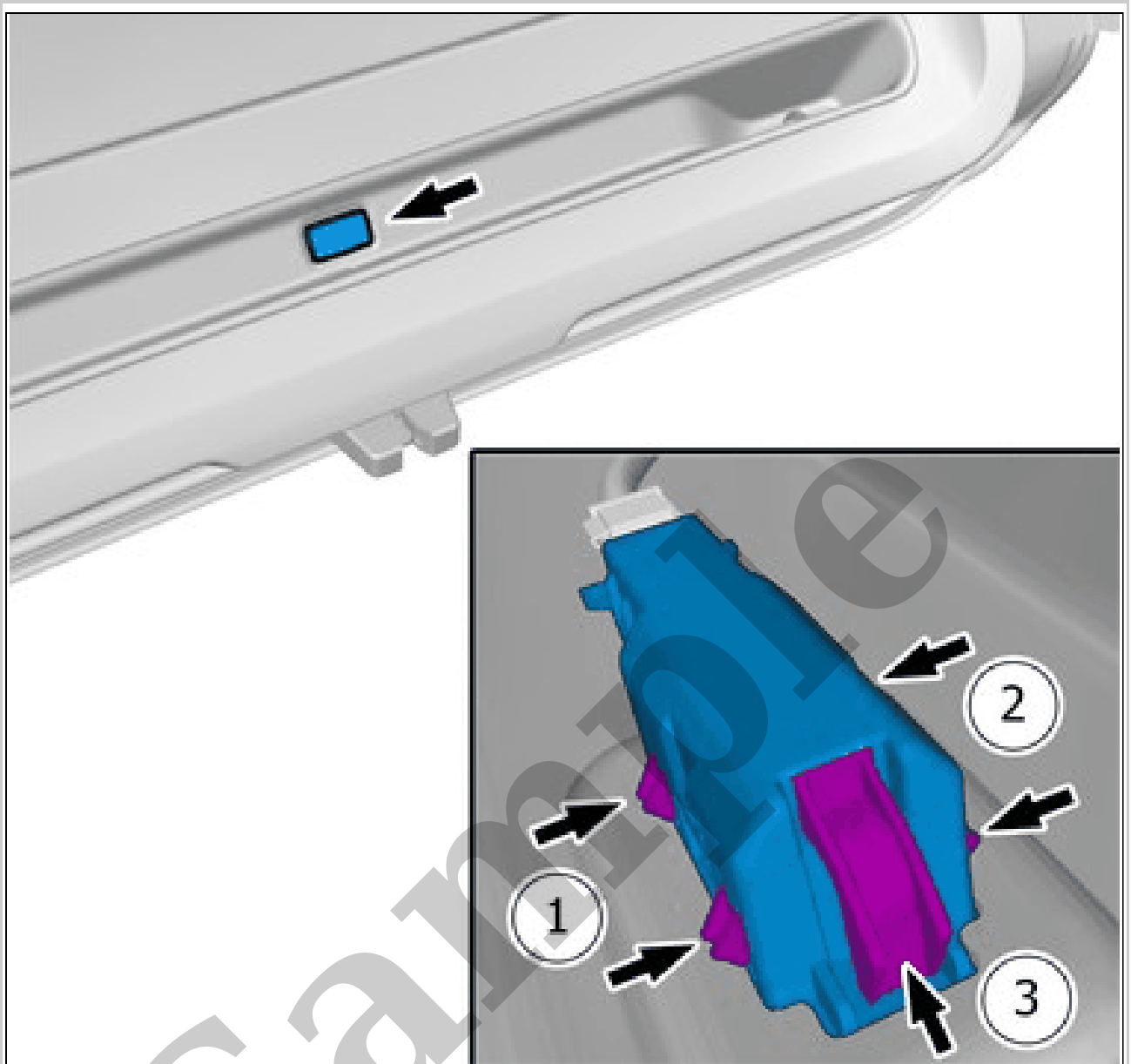
## 2005 VOLVO S40 OEM Service and Repair Workshop Manual

[Go to manual page](#)



Courtesy of VOLVO CARS CORPORATION

Disconnect the connector.



Courtesy of VOLVO CARS CORPORATION

Release the catches.

**Use:** Interior trim remover

Initiate according to: Diagnostics / Components / Control modules/ Central Electronic Module (CEM) / Diagnostic sequences / Initiating and operating roof hatch or panorama roof

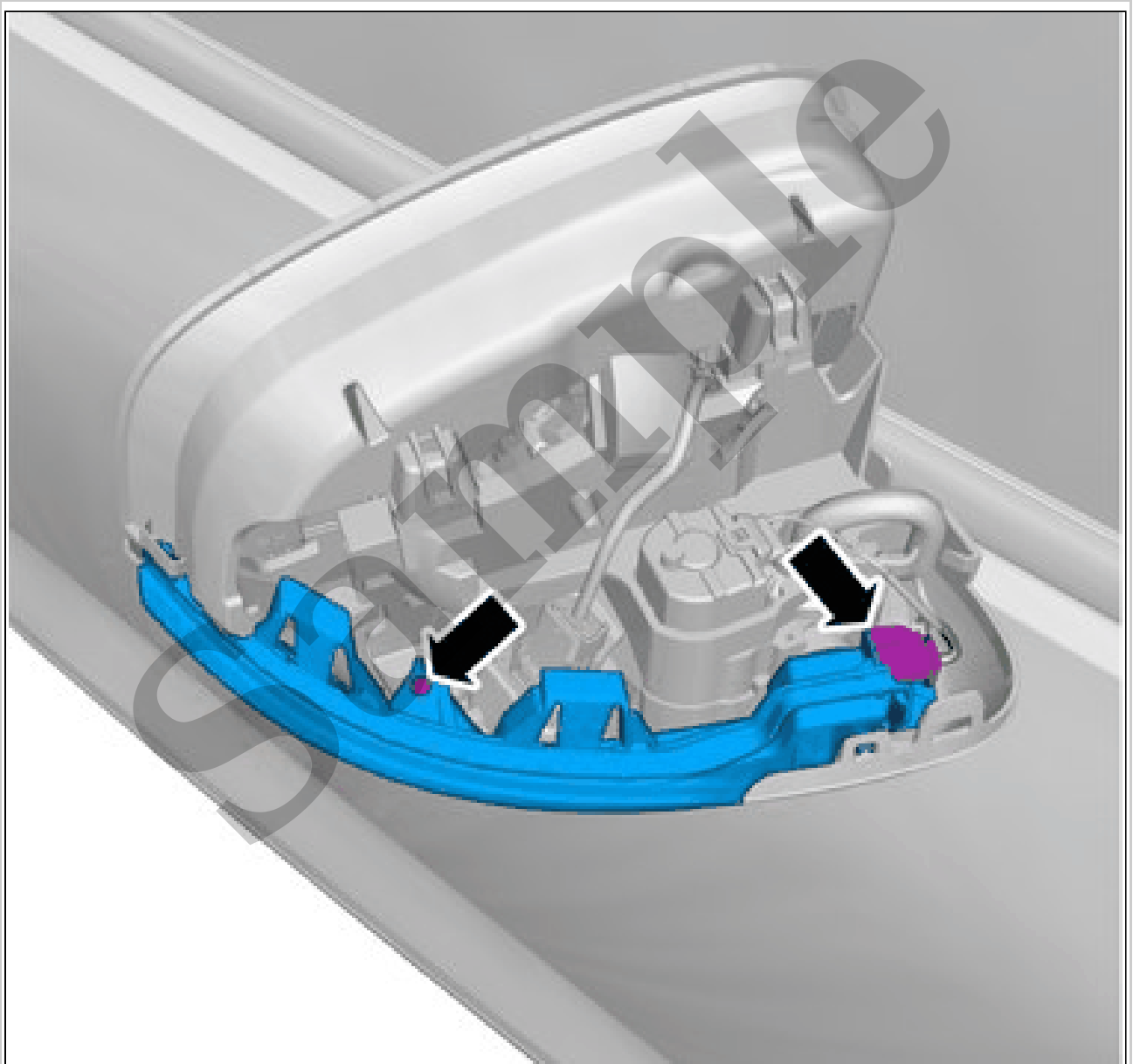
**ALTERNATIVE 2**

Perform electric motor/Sun Roof Module (SRM), calibration. Refer to: ELECTRIC MOTOR / SUN ROOF MODULE

**TURN INDICATOR, EXTERNAL MIRROR > TURN INDICATOR, EXTERNAL MIRROR [2018-2022] > REMOVAL**

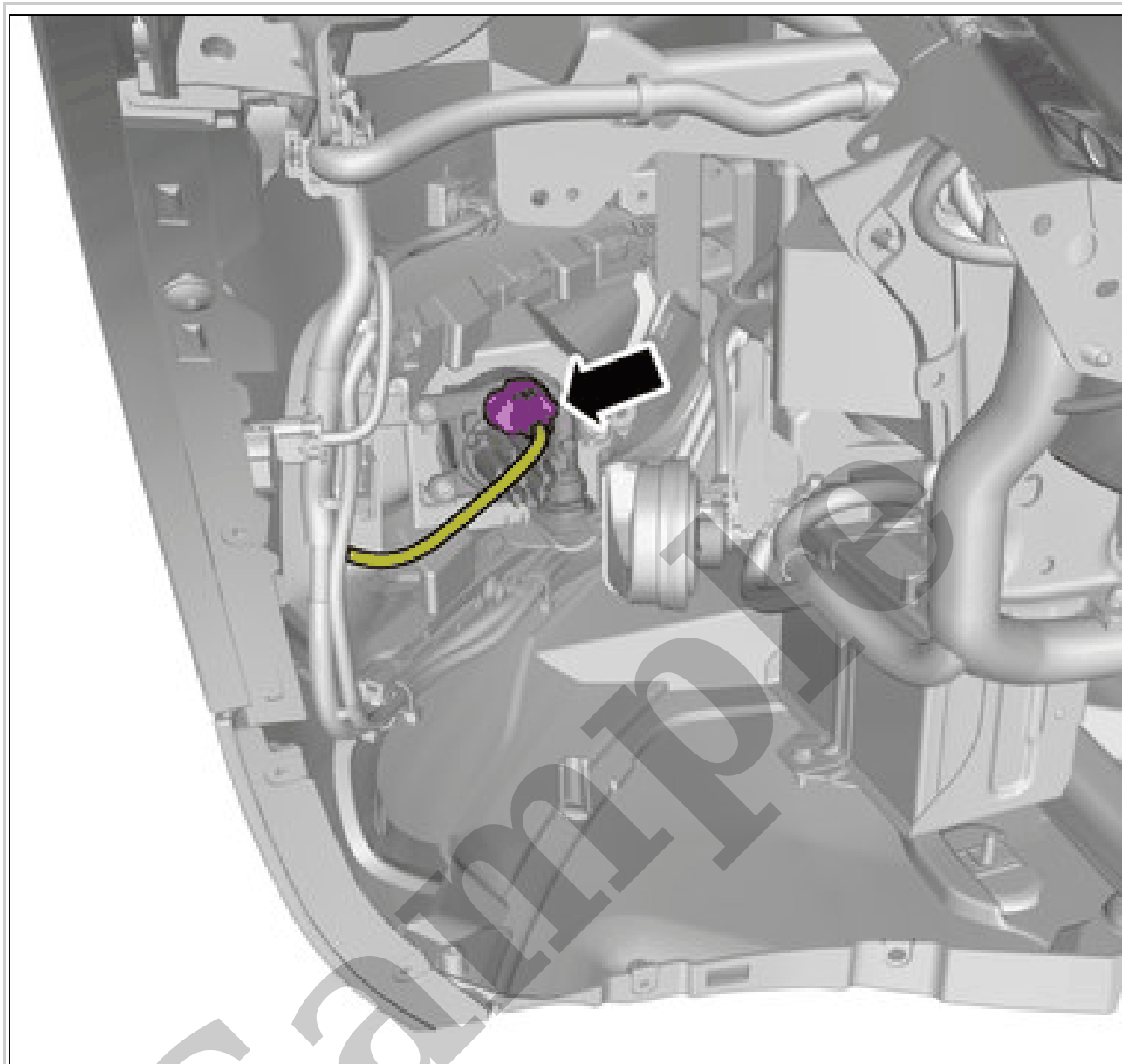
Set the vehicle to Inactive mode, described in user mode. Refer to: USAGE MODE

Remove cover rear-view mirror external. Refer to: COVER, EXTERNAL MIRROR



Courtesy of VOLVO CARS CORPORATION

Disconnect the connector.  
Remove the screw.



Courtesy of VOLVO CARS CORPORATION

Disconnect the connector.

## **MOTOR, EXTERNAL MIRROR ADJUSTMENT > MOTOR, EXTERNAL MIRROR ADJUSTMENT [2018-2022] > DIAGNOSTIC INFORMATION**

The motor, external mirror adjustment, does not have a built-in diagnostic system. The Driver Door Module (DDM) monitors the motor on the driver side and sets DTCs and readable parameters. Passenger Door Module (PDM) monitors the motor on the passenger side and sets DTCs and readable parameters.

## **MOTOR, EXTERNAL MIRROR ADJUSTMENT > MOTOR, EXTERNAL MIRROR ADJUSTMENT [2018-2022] > CONNECTION AND COMMUNICATION**

The motor, external mirror adjustment, is directly connected to their respective door modules.

## **MOTOR, EXTERNAL MIRROR FOLDING > MOTOR, EXTERNAL MIRROR FOLDING [2018-2022] > DESCRIPTION**

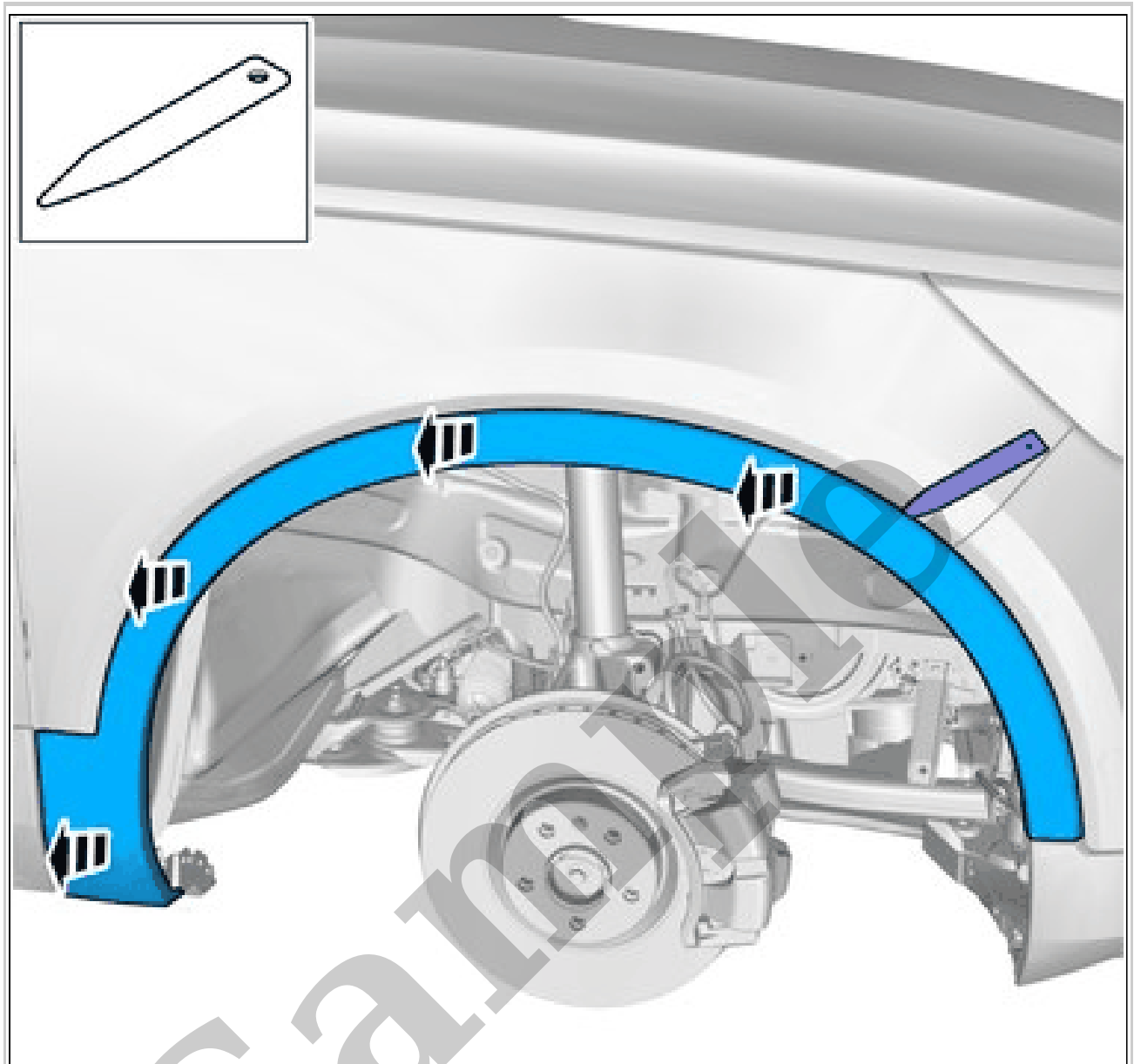
The motor, external mirror folding, handles the folding of the external mirror.

## **MOTOR, EXTERNAL MIRROR FOLDING > MOTOR, EXTERNAL MIRROR FOLDING [2018-2022] > DIAGNOSTIC INFORMATION**

The motor, external mirror folding, does not have a built-in diagnostic system. The Driver Door Module (DDM) monitors the motor on the driver side and sets DTCs and readable parameters. Passenger Door Module (PDM) monitors the motor on the passenger side and sets DTCs and readable parameters.

## **MOTOR, EXTERNAL MIRROR FOLDING > MOTOR, EXTERNAL MIRROR FOLDING [2018-2022] > CONNECTION AND COMMUNICATION**

The motor, external mirror folding, is directly connected to their respective door modules.



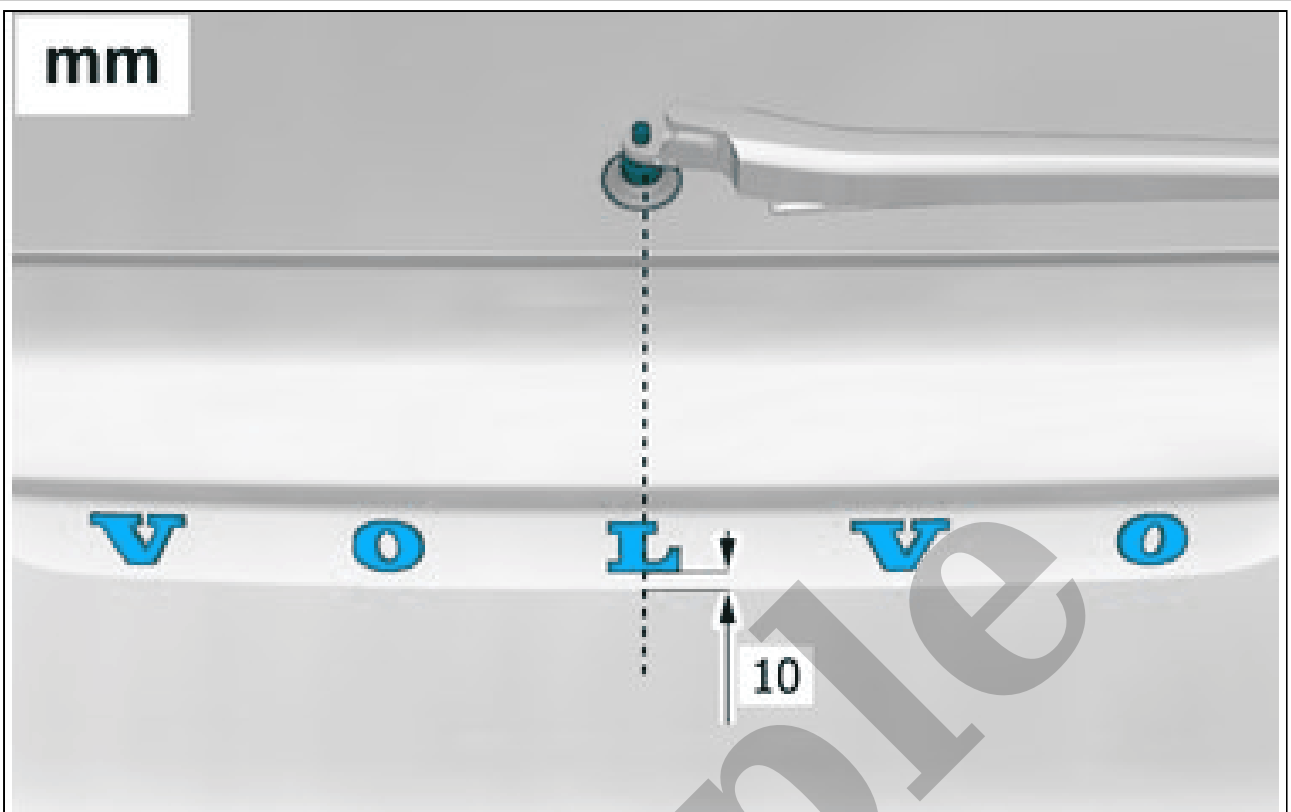
Courtesy of VOLVO CARS CORPORATION

**CAUTION:** *Make sure not to damage painted surfaces.*

Remove the marked part.

## **FRONT FENDER WIDENER > FRONT FENDER WIDENER [2018-2022] > INSTALLATION**

To install, reverse the removal procedure.



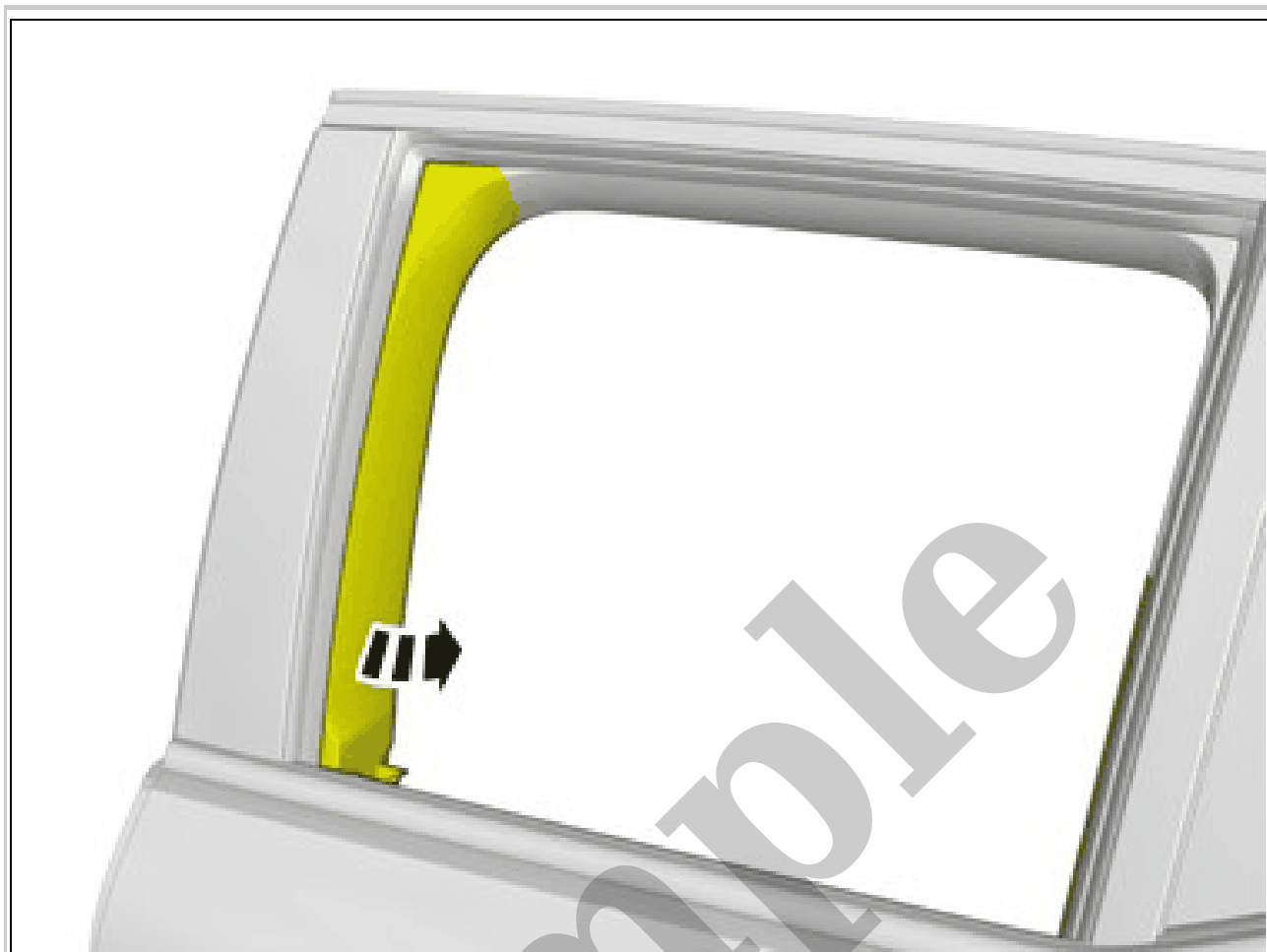
Courtesy of VOLVO CARS CORPORATION





Courtesy of VOLVO CARS CORPORATION

Fold marked part aside.



Courtesy of VOLVO CARS CORPORATION

Fold marked part aside.