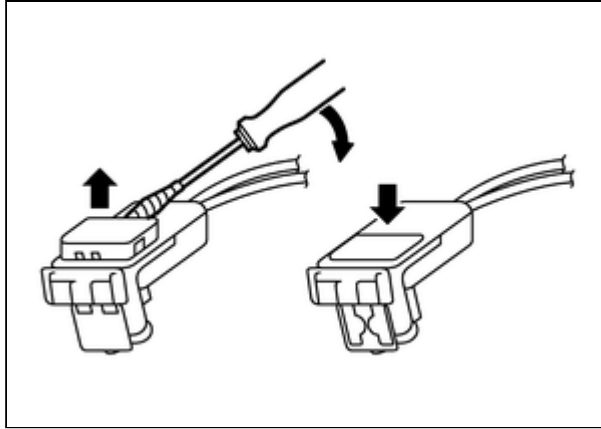


Your Ultimate Source for OEM Repair Manuals

FactoryManuals.net is a great resource for anyone who wants to save money on repairs by doing their own work. The manuals provide detailed instructions and diagrams that make it easy to understand how to fix a vehicle.

2005 NISSAN Murano OEM Service and Repair Workshop Manual

[Go to manual page](#)



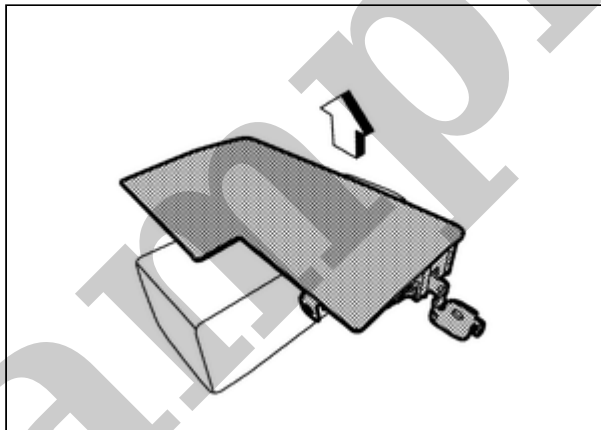
RPR-001934019-05-HIA0953J

- Install connector with lock raised, and push lock into the connector.
- After installing the connector, check that the lock is pushed securely into it.

4 Disengage harness connector fixing clips, and then remove driver knee air bag module.

CAUTION:

- To prevent accidental explosion, always place the driver knee air bag module with deploying direction facing upward.



RPR-001934019-06-000391462

←	: Upward
---	----------

- To prevent damage to the parts, never impact the driver knee air bag module.



RPR-001934019-07-MHIA0009ZZ

- Replace driver knee air bag module if it is dropped or sustains an impact.
- To prevent accidental explosion, never insert any foreign objects (screwdriver, etc.) into the driver knee air bag module.
- To prevent accidental explosion, never disassemble the driver knee air bag module.

- To prevent accidental explosion, never expose the driver knee air bag module to temperature of more than 90 °C (194 °F).
- To prevent damage to the parts, never allow oil, grease, detergent, or water to come in contact with the driver knee air bag module.

INSTALLATION

Note the following items, and then install in the reverse order of removal.

CAUTION:

- Never reuse mounting bolts after removal, replace with new bolts.
- Never damage the harness while installing.
- After installation is completed, perform self-diagnosis using CONSULT or air bag warning lamp, if the system is normal and "PAST" of "Self Diagnostic Result" is indicated, always perform "ERASE" of "Self Diagnostic Result" using CONSULT. Refer to [Work Flow](#).
- After the work is completed, check that no system malfunction is detected by air bag warning lamp.

Exploded View

RDE-002035689

Front center air bag module is built in to seatback assembly of driver seat. For exploded view of seatback assembly, refer to [Exploded View](#).

Sample

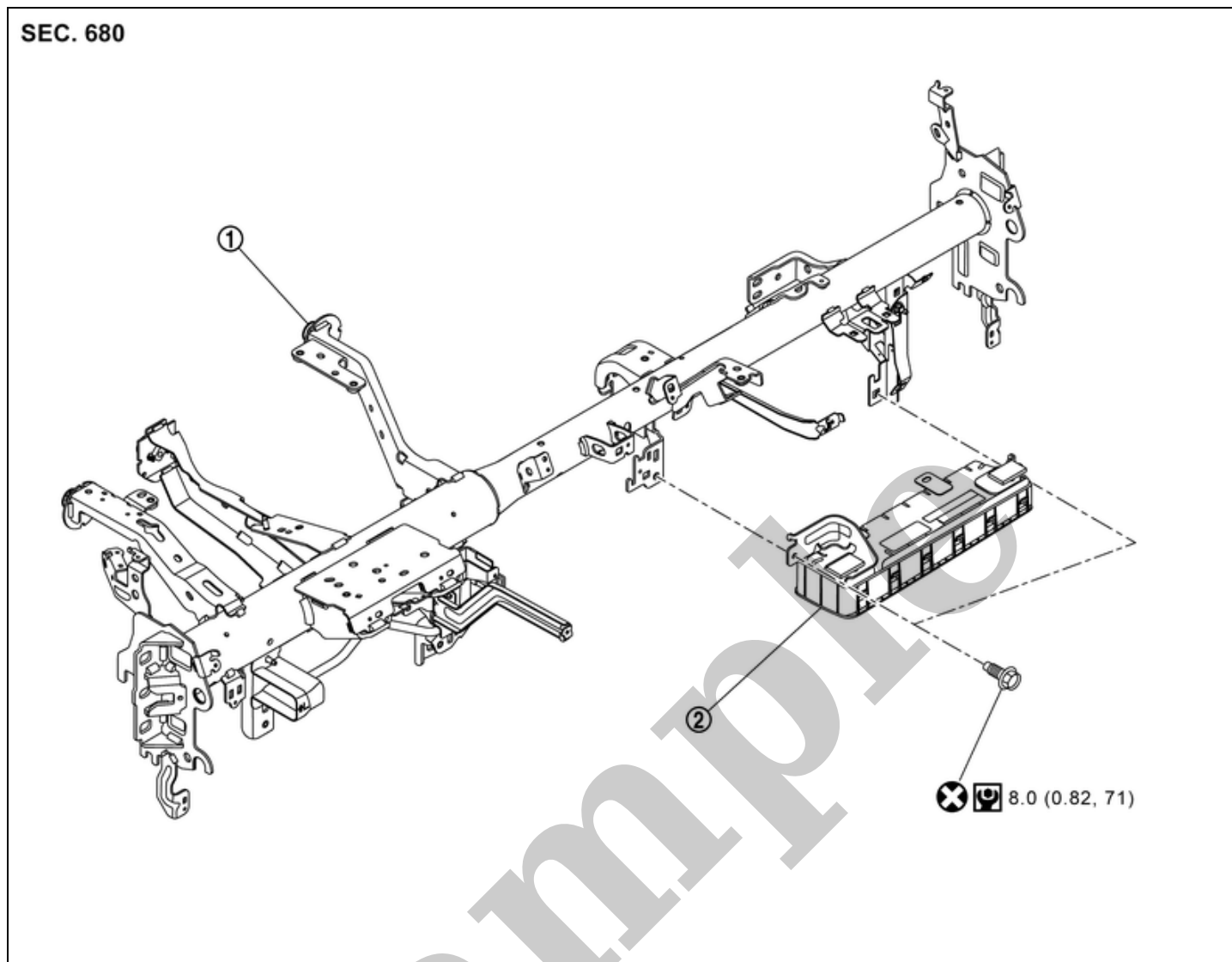
CAUTION:

Removal of single part is not possible. For removal, remove seatback assembly of driver seat as a set.

For removal and installation of seatback assembly, refer to [Disassembly & Assembly](#).

Sample

SEC. 680



RDE-001934031-01-000391463

①	Steering member	②	Passenger knee air bag module		
⊗	: Always replace after every disassembly.				
⊙	: N·m (kg-m, in-lb)				

WARNING:

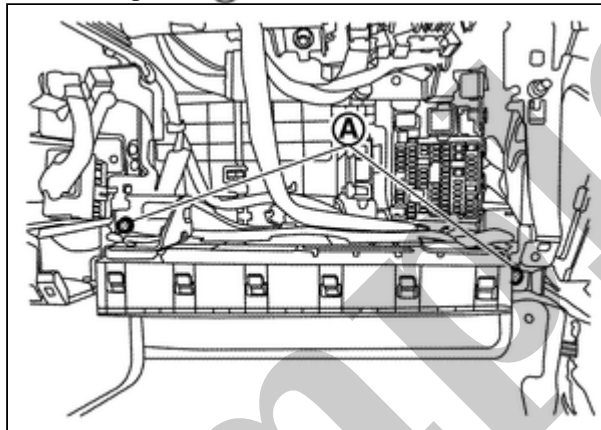
Always observe the following items for preventing accidental activation.

- Before servicing, ignition switch OFF, disconnect battery negative terminal and wait for 3 minutes or more (discharges electricity held in the additional power supply circuit of the air bag diagnosis sensor unit). Refer to [Precautions for Removing Battery Terminal](#).
- Always work from the side of air bag module. Never work in front of it.

REMOVAL

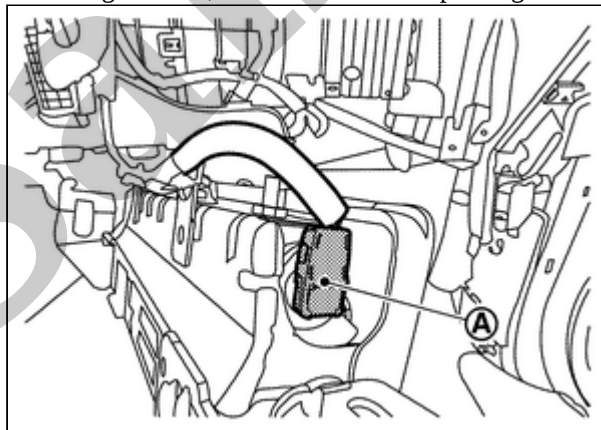
1 Remove globe box assembly. Refer to [Removal & Installation](#).

2 Remove passenger knee air bag module mounting bolts (A).



RPR-001934029-01-000391464

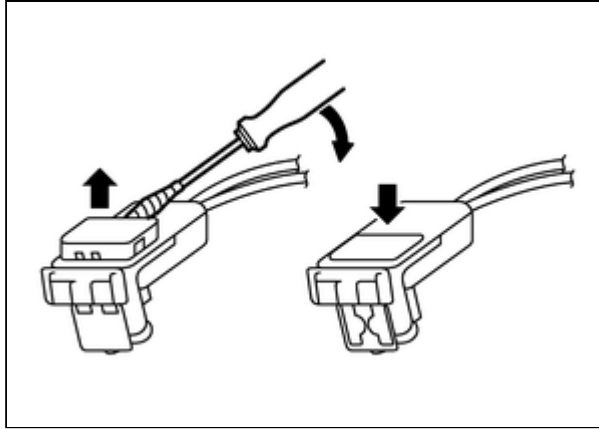
3 Move driver knee air bag module from steering member, and then disconnect passenger knee air bag module harness connector (A).



RPR-001934029-02-000391465

CAUTION:

- For installing/removing the passenger knee air bag module harness connector, insert thin screwdriver wrapped in tape into notch, lift lock and remove connector.



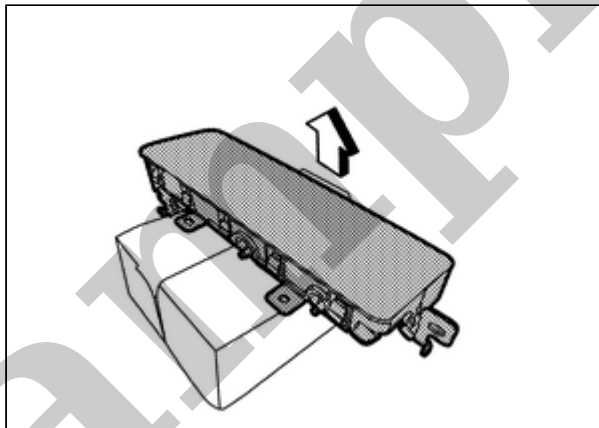
RPR-001934029-05-HIA0953J

- Install connector with lock raised, and push lock into the connector.
- After installing the connector, check that the lock is pushed securely into it.

4 Disengage harness fixing clips, and then remove passenger knee air bag module.

CAUTION:

- To prevent accidental explosion, always place the passenger knee air bag module with deploying direction facing upward.



RPR-001934029-03-000391466



: Upward

- To prevent damage to the parts, never impact the passenger knee air bag module.



RPR-001934029-08-MHIA0009ZZ

- Replace passenger knee air bag module if it is dropped or sustains an impact.
- To prevent accidental explosion, never insert any foreign objects (screwdriver, etc.) into the passenger knee air bag module.
- To prevent accidental explosion, never disassemble the passenger knee air bag module.

- To prevent accidental explosion, never expose the passenger knee air bag module to temperature of more than 90 °C (194 °F).
- To prevent damage to the parts, never allow oil, grease, detergent, or water to come in contact with the passenger knee air bag module.

INSTALLATION

Note the following items, and then install in the reverse order of removal.

CAUTION:

- Never reuse mounting bolts after removal, replace with new bolts.
- Never damage the harness while installing.
- After installation is completed, perform self-diagnosis using CONSULT or air bag warning lamp, if the system is normal and "PAST" of "Self Diagnostic Result" is indicated, always perform "ERASE" of "Self Diagnostic Result" using CONSULT. Refer to [Work Flow](#).
- After the work is completed, check that no system malfunction is detected by air bag warning lamp.

Exploded View

RDE-001934125

Occupant detection system sensor is built in to seat cushion frame of passenger seat.

For exploded view of seat cushion frame of passenger seat. Refer to [Exploded View](#).

Sample