

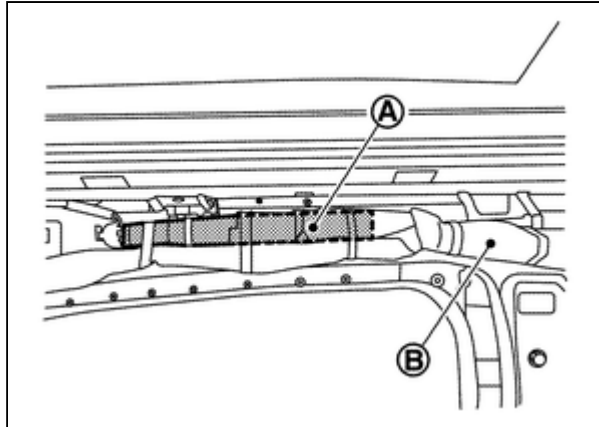
Your Ultimate Source for OEM Repair Manuals

FactoryManuals.net is a great resource for anyone who wants to save money on repairs by doing their own work. The manuals provide detailed instructions and diagrams that make it easy to understand how to fix a vehicle.

2005 NISSAN Altima OEM Service and Repair Workshop Manual

[Go to manual page](#)

- Curtain air bag inflator (A) mainly consists of electric ignition device (squib), heating agent, compressed gas, and diffuser. These items are stored in a cylinder-type container.



SIEMD-7203998-01-000372140

- In a side collision which exceeds the specified limit of the vehicle, electric ignition device (squib) ignites igniting agent. Gas generating agent burns due to heat from igniting agent, then, the generated compressed gas is released. Generated gas (high temperature) inflates air bag (B) through filter.



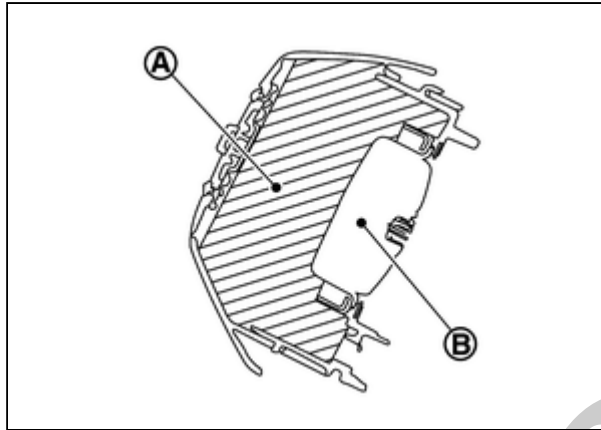
NOTE:

Filter removes and cools residues of gas generating agent.

Driver Air Bag Module

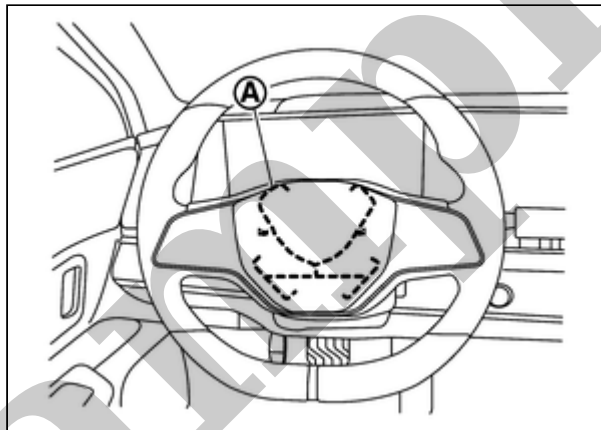
SIEMD-7203936

- Driver air bag module is built into steering wheel.
- Driver air bag module mainly consists of air bag (A) and inflator (B) which inflates air bag.



SIEMD-7203936-01-000354134

- Driver air bag inflates by breaking steering wheel center pad surface (A).

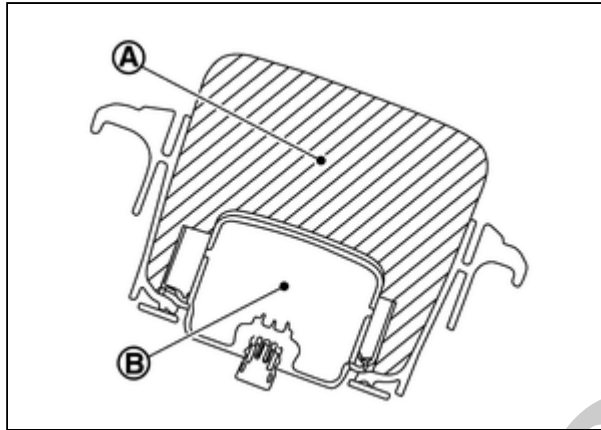


SIEMD-7203936-02-000372134

Passenger Air Bag Module

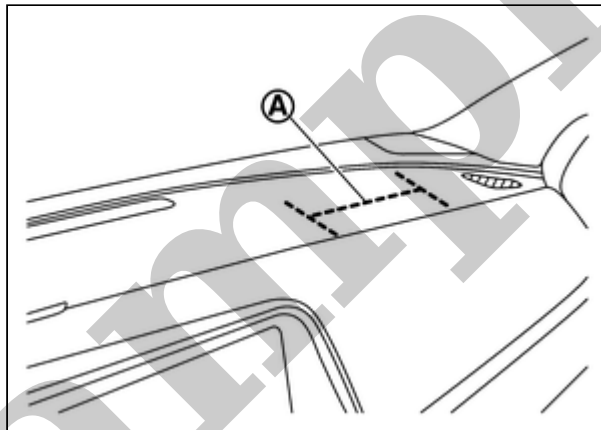
SIEMD-7203938

- Passenger air bag module is built into instrument upper garnish.
- Passenger air bag module mainly consists of air bag (A) and inflator (B) which inflates air bag.



SIEMD-7203938-01-000354136

- Passenger air bag inflates by breaking instrument upper garnish surface (A).

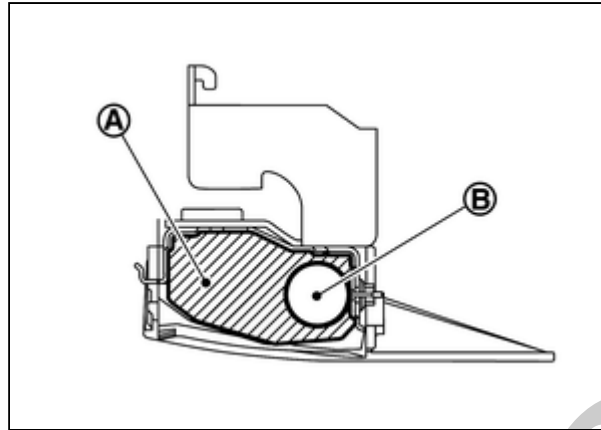


SIEMD-7203938-02-000372135

Driver Knee Air Bag Module

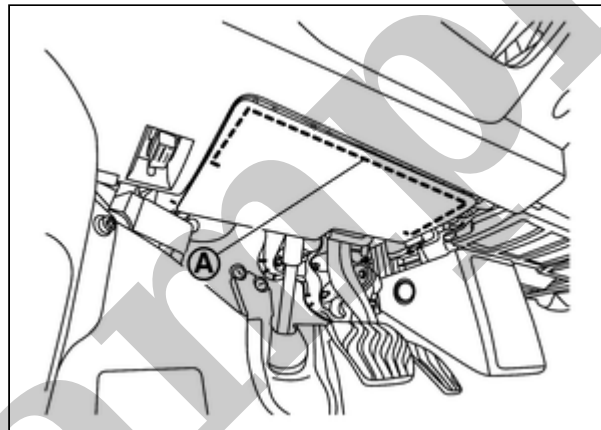
SIEMD-7203940

- Driver knee air bag module is built into lower side of instrument lower panel.
- Driver knee air bag module mainly consists of air bag (A) and inflator (B) which inflates air bag.



SIEMD-7203940-01-000390734

- Driver knee air bag inflates by breaking lid surface (A).

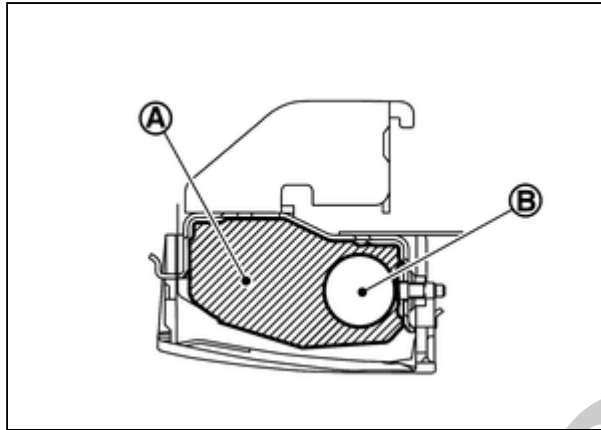


SIEMD-7203940-02-000390735

Passenger Knee Air Bag Module

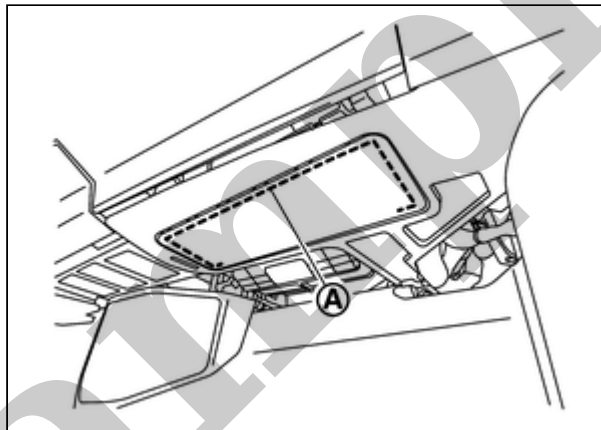
SIEMD-7203945

- Passenger knee air bag module is built into lower side of globe box assembly.
- Passenger knee air bag module mainly consists of air bag (A) and inflator (B) which inflates air bag.



SIEMD-7203945-01-000390736

- Passenger knee air bag inflates by breaking lid surface (A).

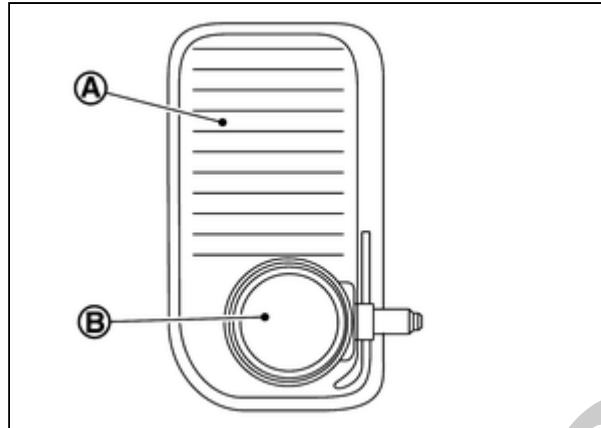


SIEMD-7203945-02-000390737

Front Side Air Bag Module

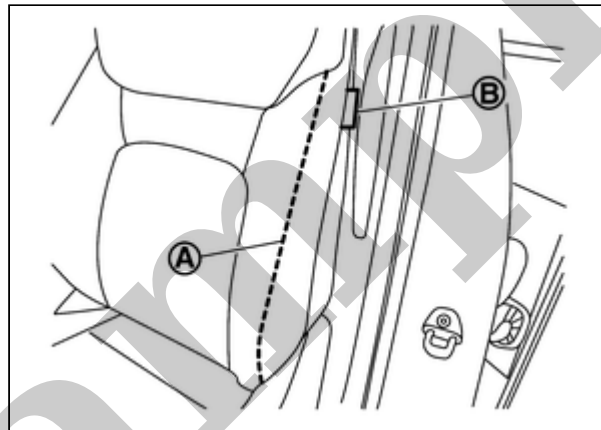
SIEMD-7203949

- Front side air bag module is built into outside of seatback assembly.
- Front side air bag module mainly consists of air bag (A) and inflator (B) which inflates air bag.



SIEMD-7203949-01-000319863

- Identification mark (B) is installed to seatback outside stitch indicating that front side air bag is equipped.



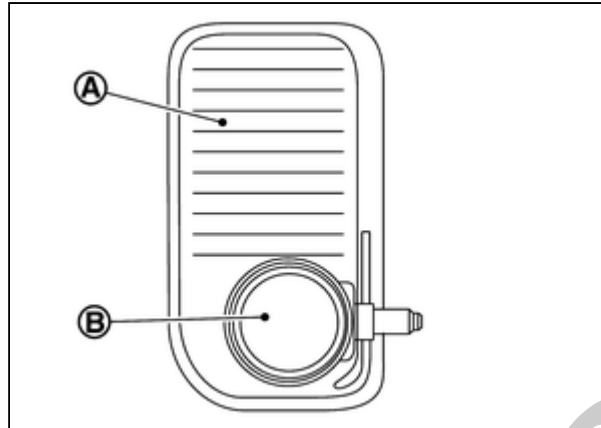
SIEMD-7203949-02-000372136

- Front side air bag inflates through seatback outside stitch (A).

Front Center Air Bag Module

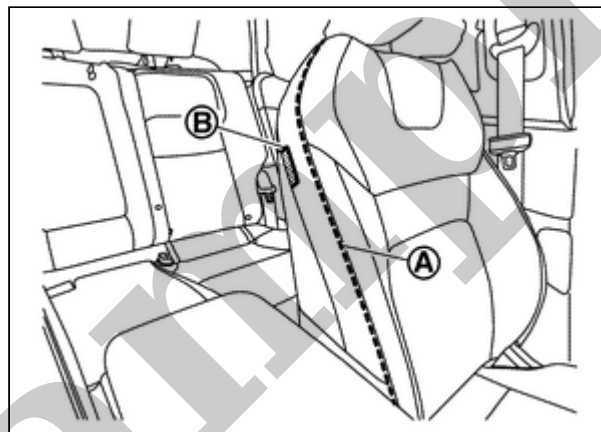
SIEMD-7492996

- Front center air bag module is built into seatback assembly inside of driver seat.
- Front center air bag module mainly consists of air bag (A) and inflator (B) which inflates air bag.



SIEMD-7492996-01-000319863

- Identification mark (B) is installed to seatback inside stitch of driver seat indicating that front center air bag is equipped.



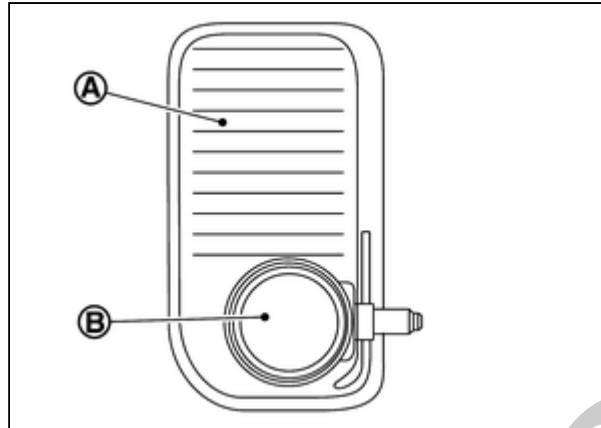
SIEMD-7492996-02-000372137

- Front center air bag inflates through seatback inside stitch (A) of driver seat.

Rear Side Air Bag Module

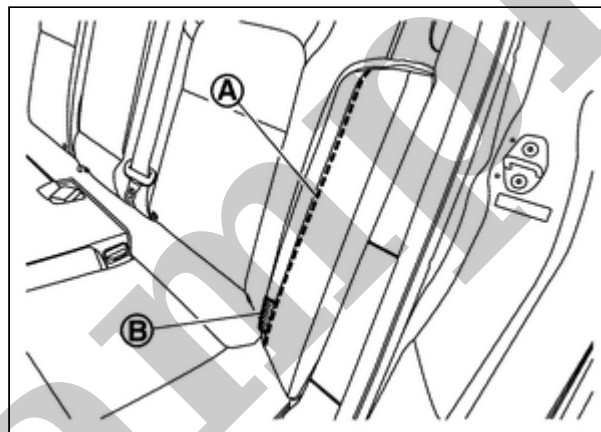
SIEMD-7203954

- Rear side air bag module is built into seatback bolster.
- Rear side air bag module mainly consists of air bag (A) and inflator (B) which inflates air bag.



SIEMD-7203954-01-000319863

- Identification mark (B) is installed to seatback bolster indicating that rear side air bag is equipped.



SIEMD-7203954-02-000391778

- Rear side air bag inflates through seatback bolster stitch (A).

Curtain Air Bag Module

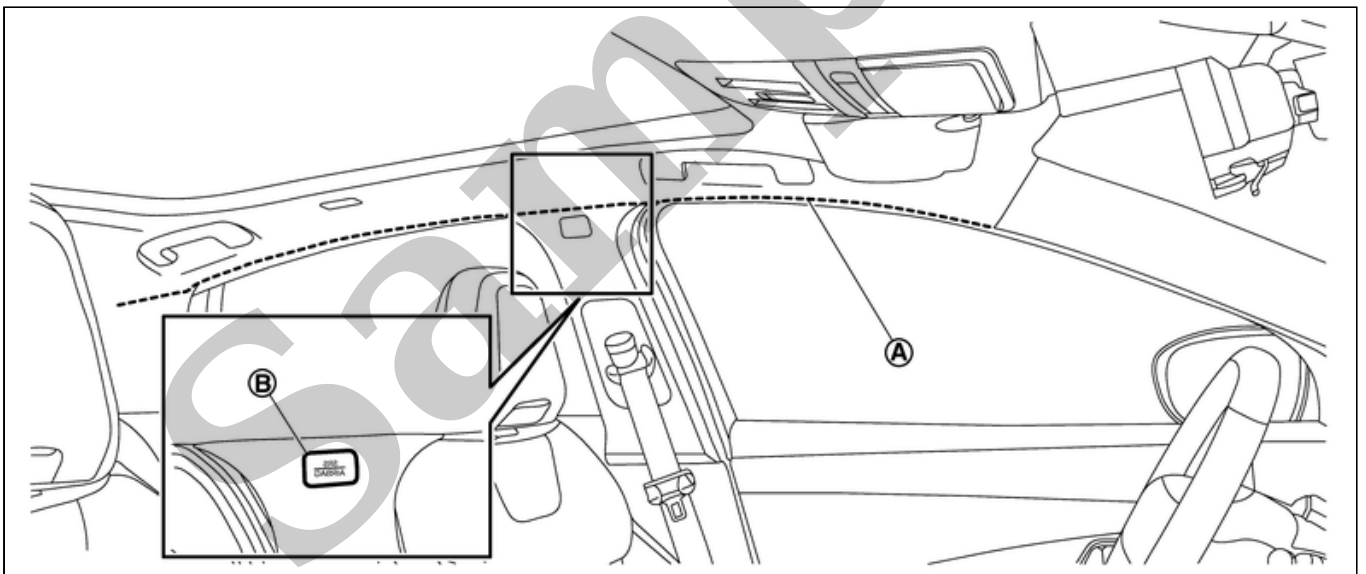
SIEMD-7204037

- Curtain air bag module is built into roof side portion.
- Curtain air bag module mainly consists of air bag (A) and inflator (B) which inflates air bag.



SIEMD-7204037-01-000372138

- Identification mark (B) is installed to center pillar upper garnish upper indicating that curtain air bag is equipped.



SIEMD-7204037-02-000372139

- Curtain air bag inflates through a space (A) between headliner and roof side portion.