

Your Ultimate Source for OEM Repair Manuals

FactoryManuals.net is a great resource for anyone who wants to save money on repairs by doing their own work. The manuals provide detailed instructions and diagrams that make it easy to understand how to fix a vehicle.

2005 FORD Tourneo Connect OEM Service and Repair Workshop Manual

[Go to manual page](#)

1. **WARNING**

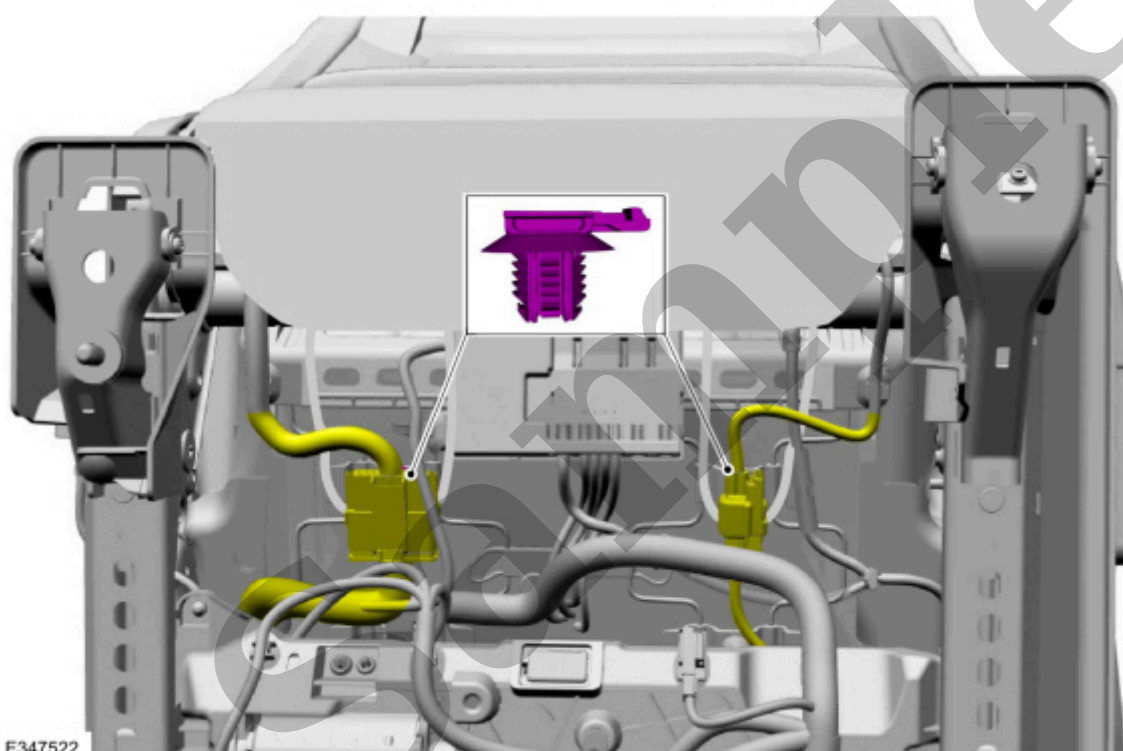
Before beginning any service procedure in this manual, refer to health and safety warnings in section 100-00 General Information. Failure to follow this instruction may result in serious personal injury.

Refer to: [Pyrotechnic Device Health and Safety Precautions](#)(100-00 General Information, Description and Operation).

2. Remove the front seat.

Refer to: [Front Seat](#)(501-10A Front Seats, Removal and Installation).

3. Detach the front seat electrical connector retainers and position the front seat wiring harnesses aside.



[Click here to learn about symbols, color coding, and icons used in this manual.](#)

4. Detach the front seat backrest cover straps and position the front seat backrest cover aside.

6. NOTE

To install, gradually alternate the left and right front seat backrest cover zippers to prevent damage to the front seat backrest cover.

1. Unzip the front seat backrest cover.
2. Lift the front seat backrest cover back flap.
3. Detach the front seat backrest cover retainer from the front seat backrest frame.

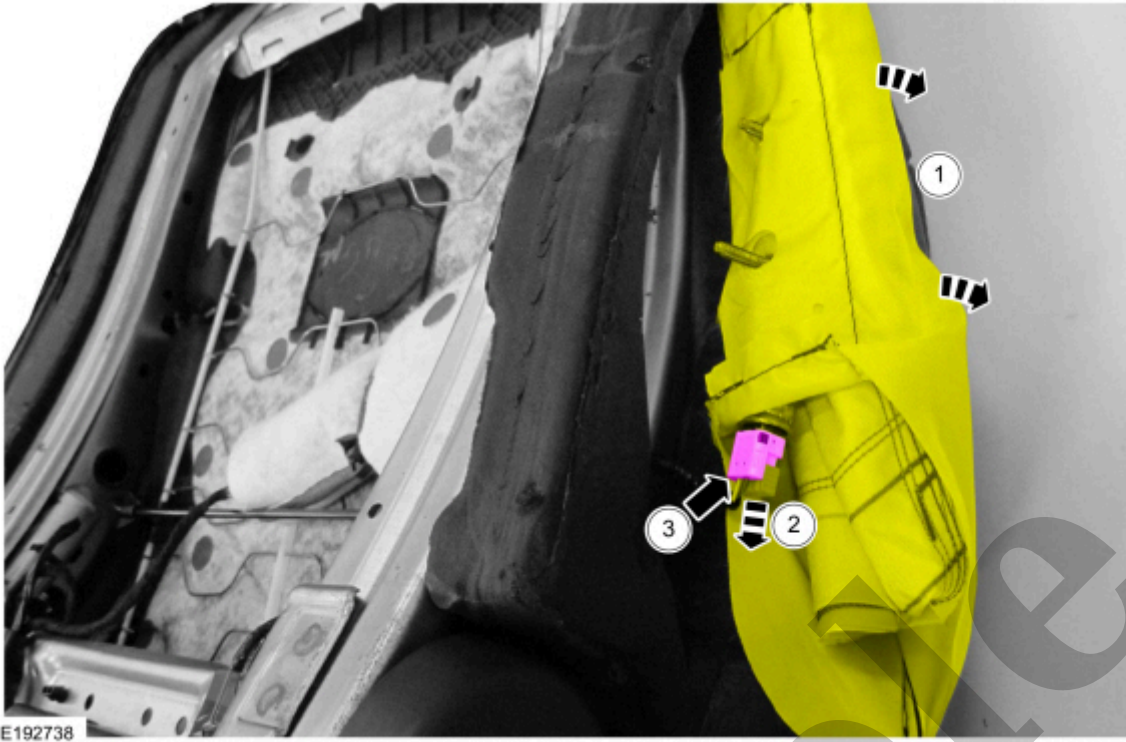


E339969

[Click here to learn about symbols, color coding, and icons used in this manual.](#)

7. Remove the side airbag nuts.

Torque : 55 lb.in (6.2 Nm)



[Click here to learn about symbols, color coding, and icons used in this manual.](#)

9. **NOTE**

Follow the unique instructions or graphic for this step in installation.

Remove the side airbag from out of the front seat backrest cover deployment chute.



E192737

[Click here to learn about symbols, color coding, and icons used in this manual.](#)

Copyright © Ford Motor Company

Sample

Refer to: [Pyrotechnic Device Health and Safety Precautions](#)(100-00 General Information, Description and Operation).

2. Lower the headliner.

Refer to: [Headliner - Lowering - Regular Cab](#)(501-05 Interior Trim and Ornamentation, Removal and Installation).

3. Depower the SRS (supplemental restraint system) .

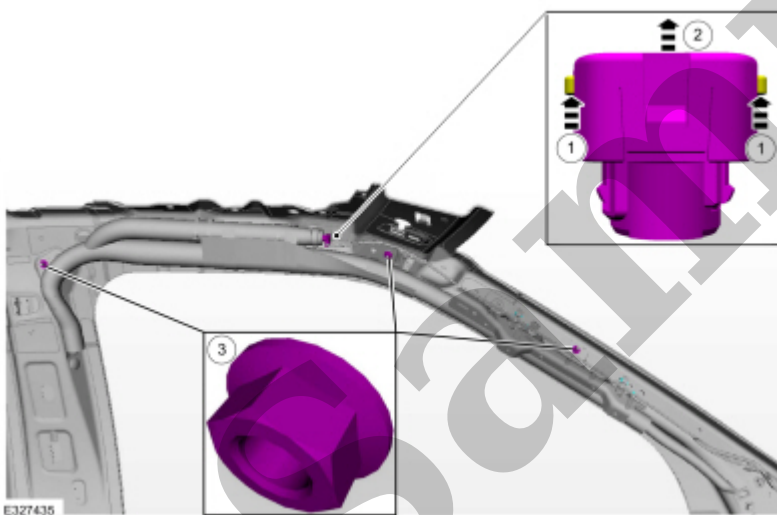
Refer to: [Supplemental Restraint System \(SRS\) Depowering](#)(501-20B Supplemental Restraint System, General Procedures).

4. 1. Raise the locking tabs of the side curtain airbag electrical connector.

2. Disconnect the side curtain airbag electrical connector.

3. Remove the side curtain airbag nuts.

Torque : 133 lb.in (15 Nm)



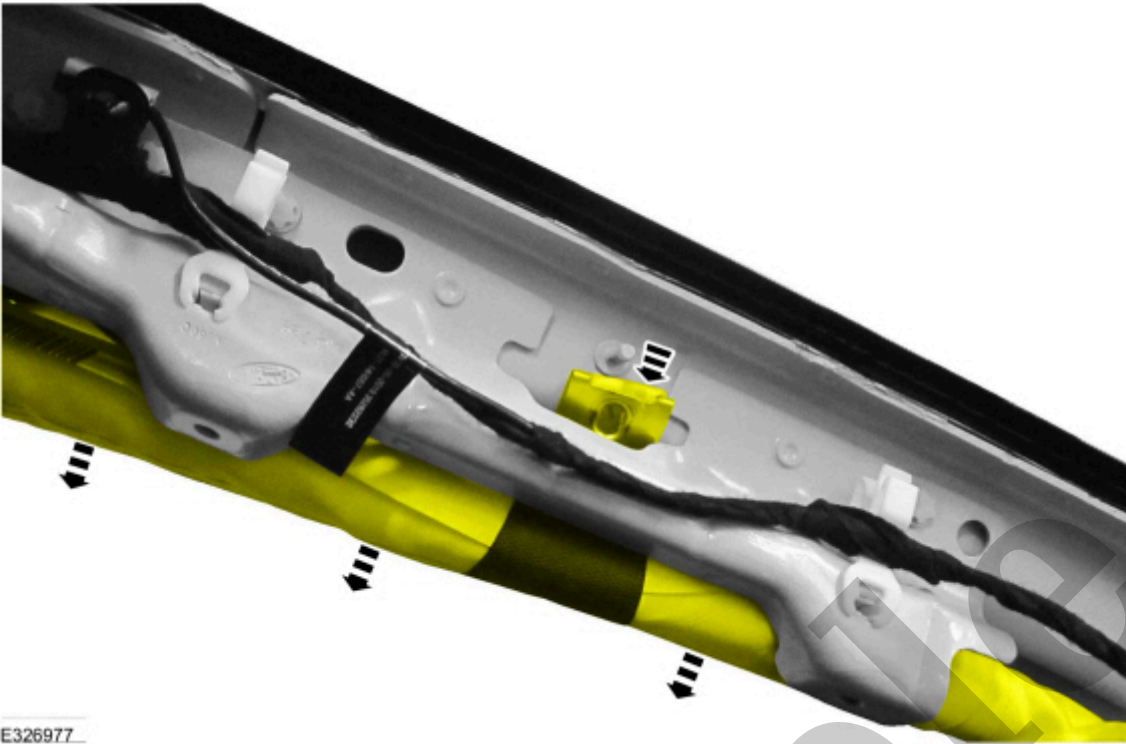
[Click here to learn about symbols, color coding, and icons used in this manual.](#)

5. 1. Remove the side curtain airbag bolts.

Torque : 133 lb.in (15 Nm)

2. Separate the front tether clip.

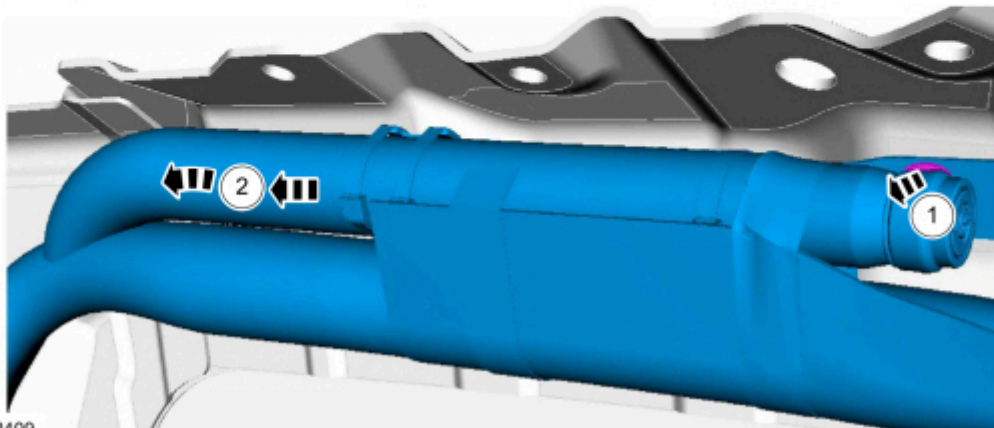
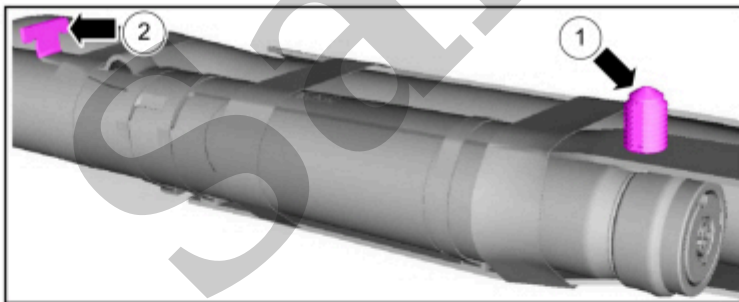
3. Remove the pin-type retainer.



E326977

[Click here to learn about symbols, color coding, and icons used in this manual.](#)

8. 1. Detach the retainer.
2. Slide the side curtain airbag rearward and out, disengaging the T-tab from the sheet metal and remove the side curtain airbag.



E192409



Side Curtain Airbag - SuperCab

<i>501-20B Supplemental Restraint System</i>	<i>2022 F-150</i>
<i>Removal and Installation</i>	<i>Procedure revision date: 10/2/2020</i>

Side Curtain Airbag - SuperCab

Removal

WARNING

The following procedure prescribes critical repair steps required for correct restraint system operation during a crash. Follow all notes and steps carefully. Failure to follow step instructions may result in incorrect operation of the restraint system and increases the risk of serious personal injury or death in a crash.

NOTE

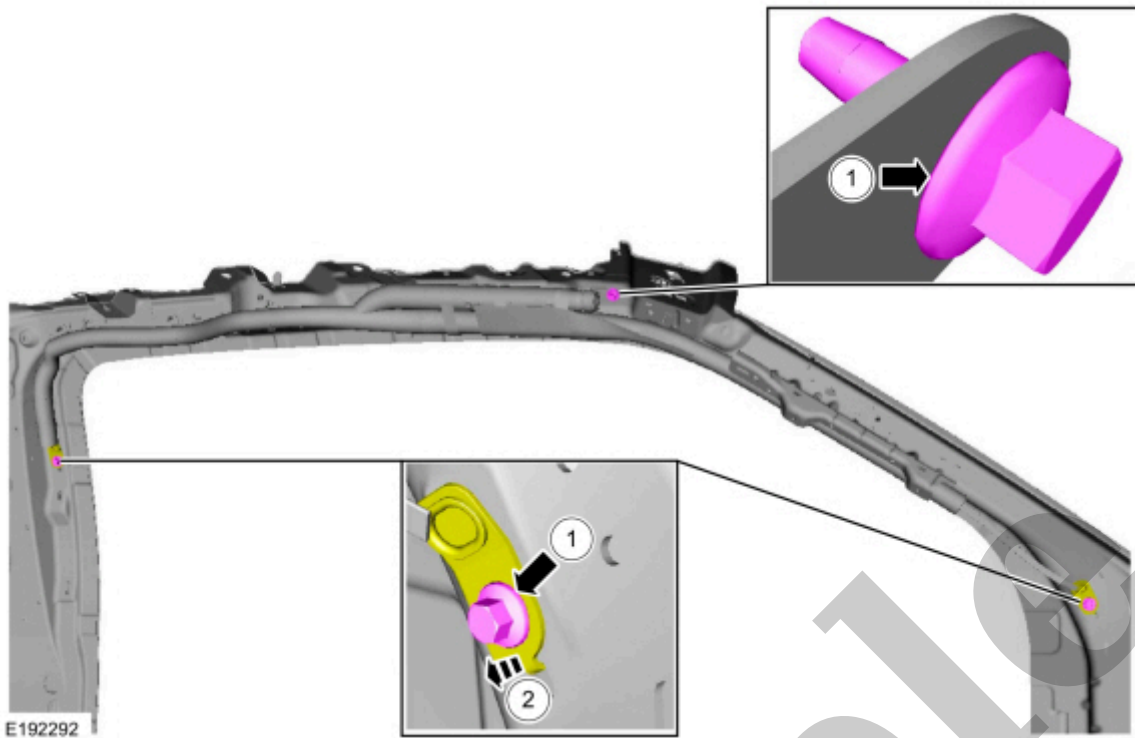
Removal steps in this procedure may contain installation details.

NOTE

LH (left-hand) shown, RH (right-hand) similar.

1. WARNING

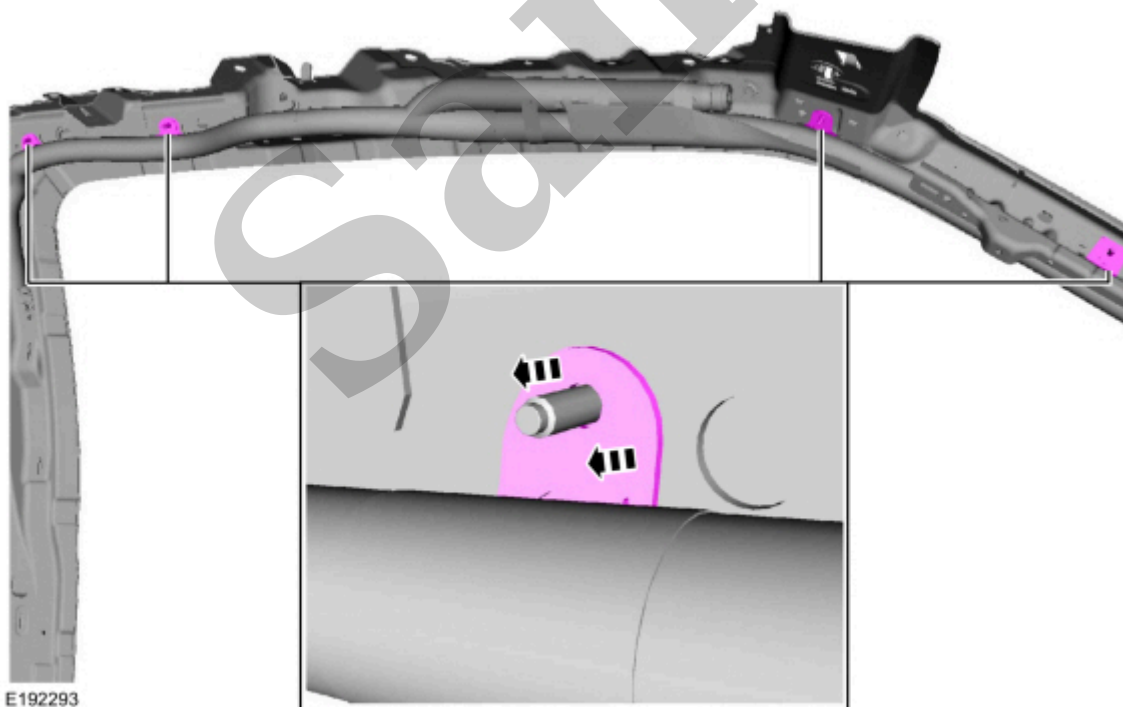
Before beginning any service procedure in this manual, refer to health and safety warnings in section 100-00 General Information. Failure to follow this instruction may result in serious personal injury.



E192292

[Click here to learn about symbols, color coding, and icons used in this manual.](#)

6. Detach the side curtain airbag hangers.



E192293

[Click here to learn about symbols, color coding, and icons used in this manual.](#)

7. Feed the side curtain airbag hanger out from between the A-pillar and the A-pillar bracket.

[Click here to learn about symbols, color coding, and icons used in this manual.](#)

Installation

WARNING

Incorrect repair techniques or actions can cause an accidental Supplemental Restraint System deployment. Make sure the restraint system is depowered before reconnecting the component. Refer to the Supplemental Restraint System depowering General Procedure in section 501-20B. Failure to precisely follow depowering instructions could result in serious personal injury from an accidental deployment.

WARNING

Before installing a Safety Canopy® or side air curtain module, inspect the roofline for any damage. If necessary, the sheet metal must be reworked to its original condition and structural integrity. Install new fasteners if damaged and remove foreign material. Failure to follow these instructions may result in the Safety Canopy® or side air curtain deploying incorrectly, which increases the risk of serious personal injury or death in a crash.

WARNING

Anytime the side curtain airbag has deployed, a new headliner and new roof pillar upper trim panels with attaching hardware must be installed. Make sure the headliner includes the word AIRBAG where it meets each roof B-pillar trim panel. Remove any other damaged components or hardware and replace with new. Failure to follow these instructions may result in the side curtain airbag deploying incorrectly and increases the risk of serious personal injury or death in a crash.

1. To install, reverse the removal procedure.
2. Repower the SRS (supplemental restraint system) .

Refer to: [Supplemental Restraint System \(SRS\) Repowering](#)(501-20B Supplemental Restraint System, General Procedures).