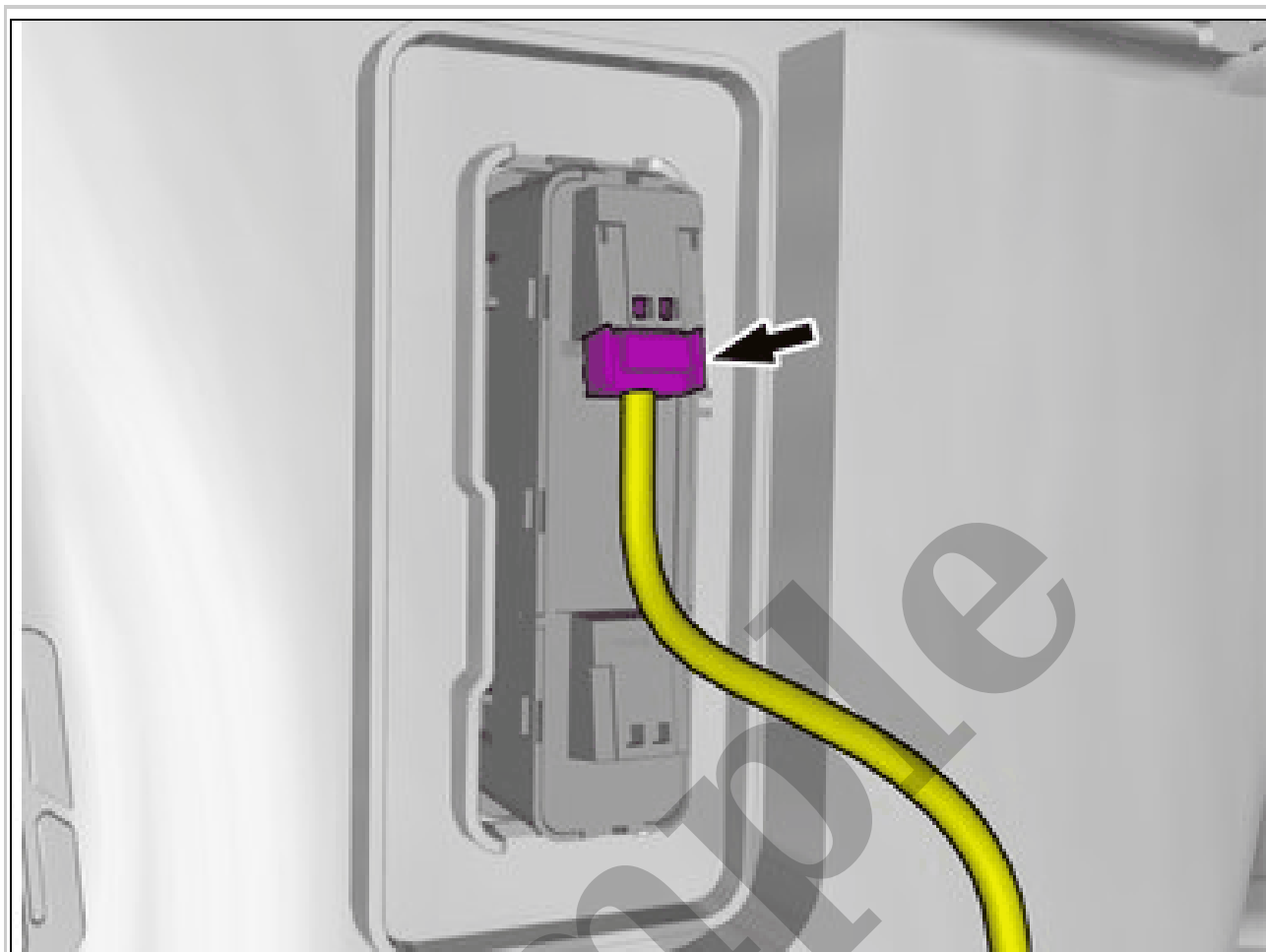


# Your Ultimate Source for OEM Repair Manuals

FactoryManuals.net is a great resource for anyone who wants to save money on repairs by doing their own work. The manuals provide detailed instructions and diagrams that make it easy to understand how to fix a vehicle.

## 2004 VOLVO XC70 OEM Service and Repair Workshop Manual

[Go to manual page](#)

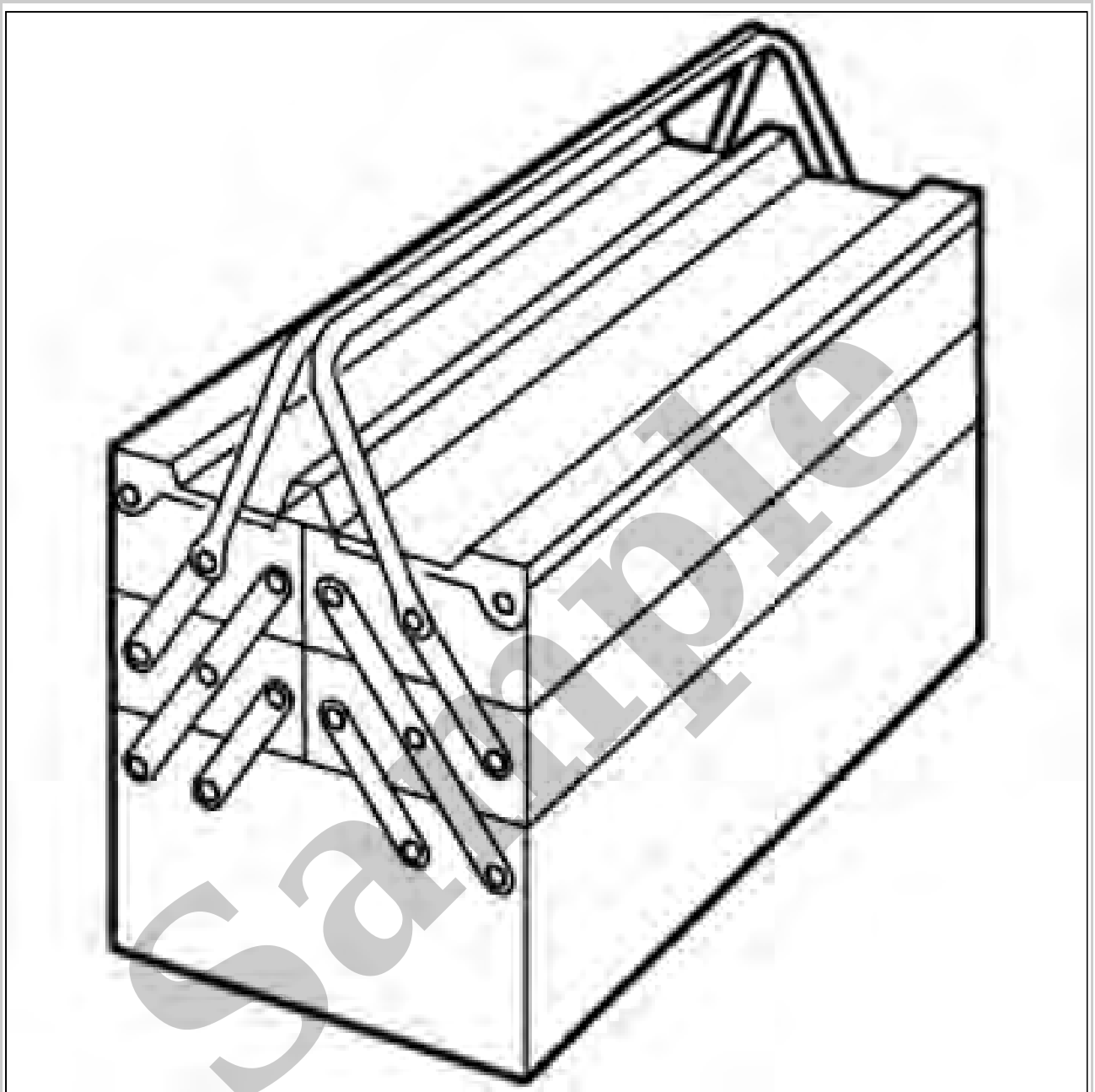


Courtesy of VOLVO CARS CORPORATION

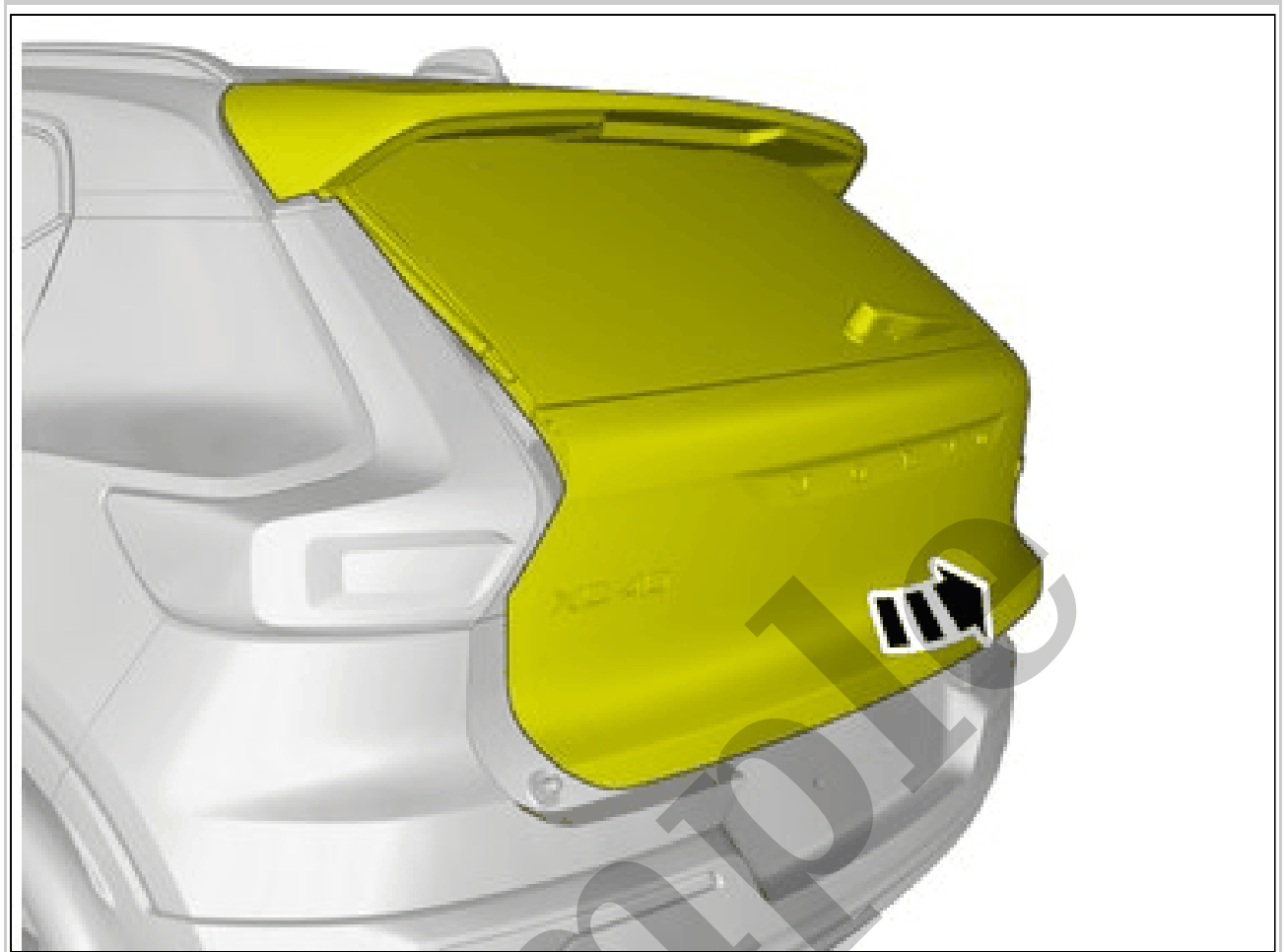
Disconnect the connector.

**SPOILER, BOOT LID > SPOILER, BOOT LID [2022] > ACCESSORY INSTALLATION**

**Equipment**

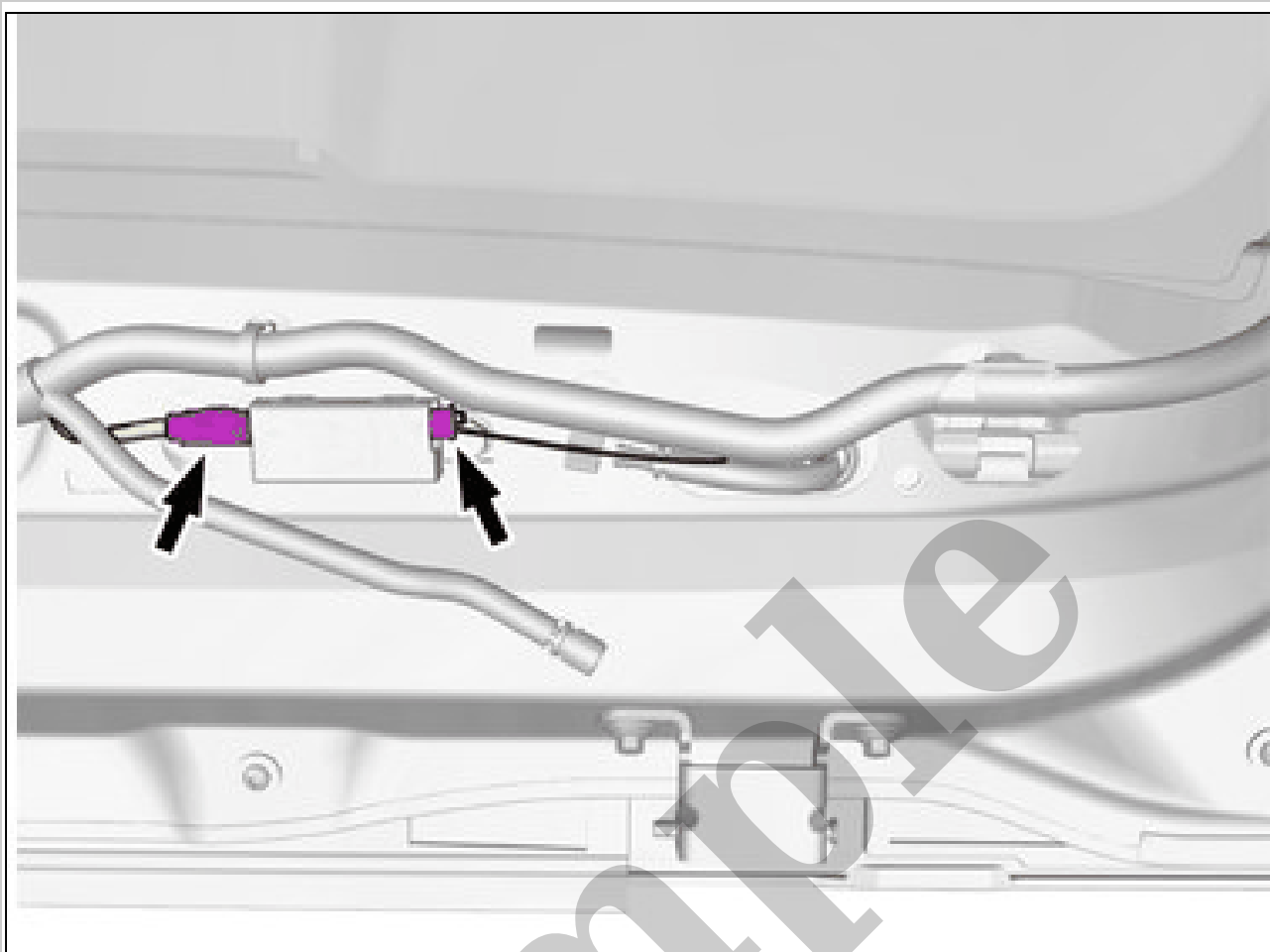


Courtesy of VOLVO CARS CORPORATION



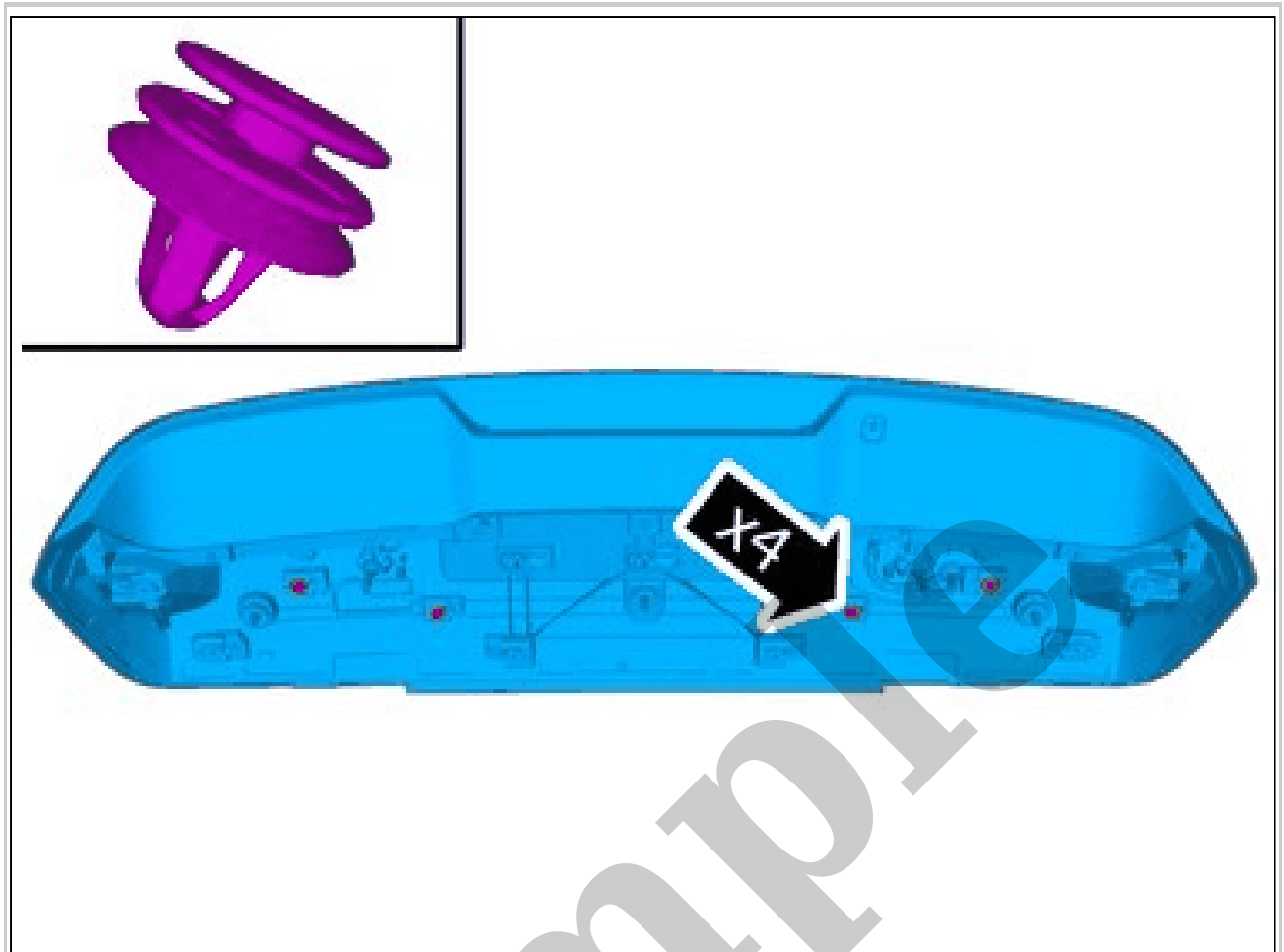
Courtesy of VOLVO CARS CORPORATION

Open the tailgate.



Courtesy of VOLVO CARS CORPORATION

Disconnect the connectors.



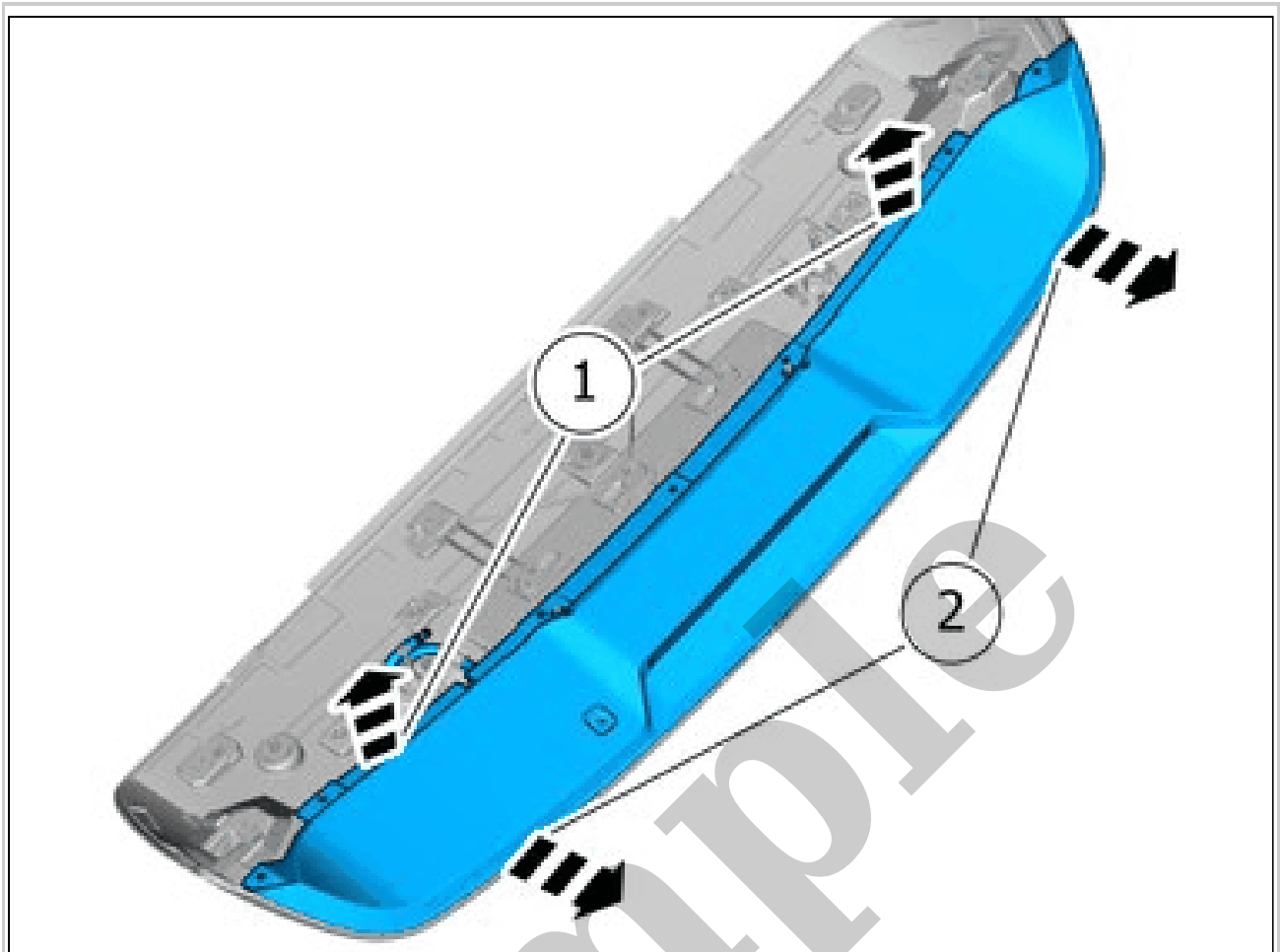
Courtesy of VOLVO CARS CORPORATION

**NOTE:** Orientation view

**NOTE:** The graphic shows the back of the component before removal.

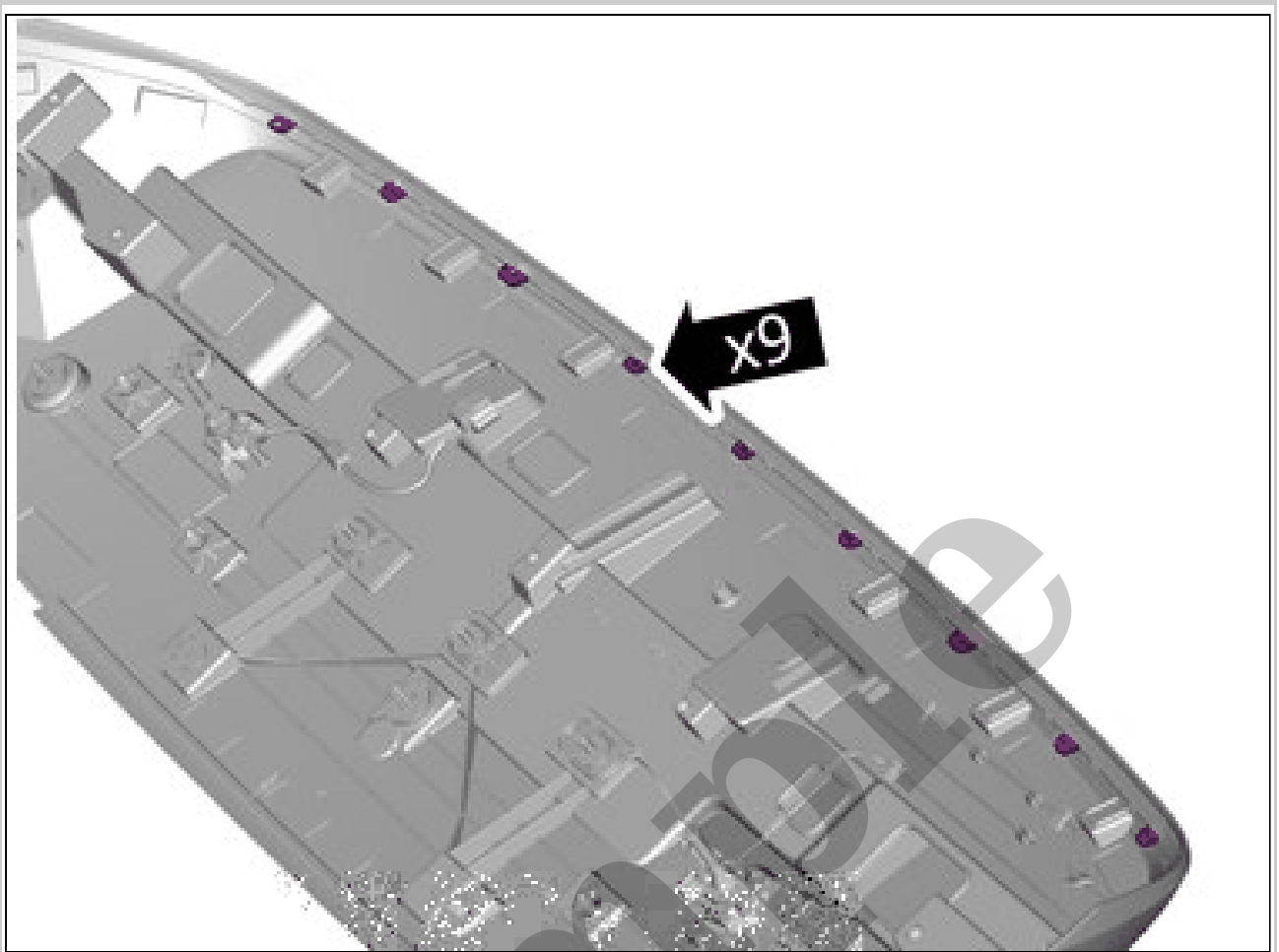
**CAUTION:** Place the component on a suitable underlay or support.

**CAUTION:** Make sure not to damage painted surfaces.



Courtesy of VOLVO CARS CORPORATION

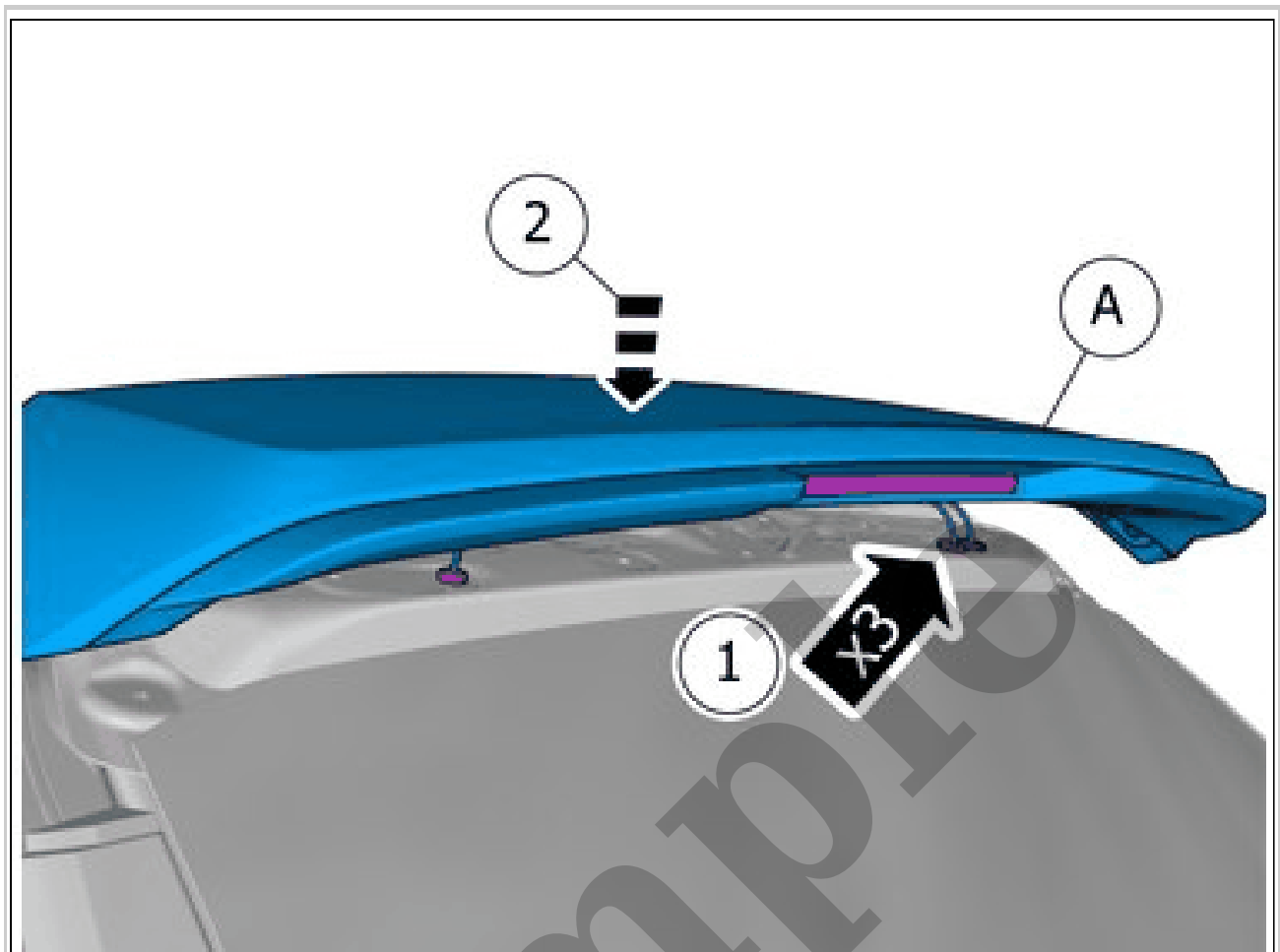
Remove the marked part.



Courtesy of VOLVO CARS CORPORATION

**NOTE:** Orientation view





Courtesy of VOLVO CARS CORPORATION

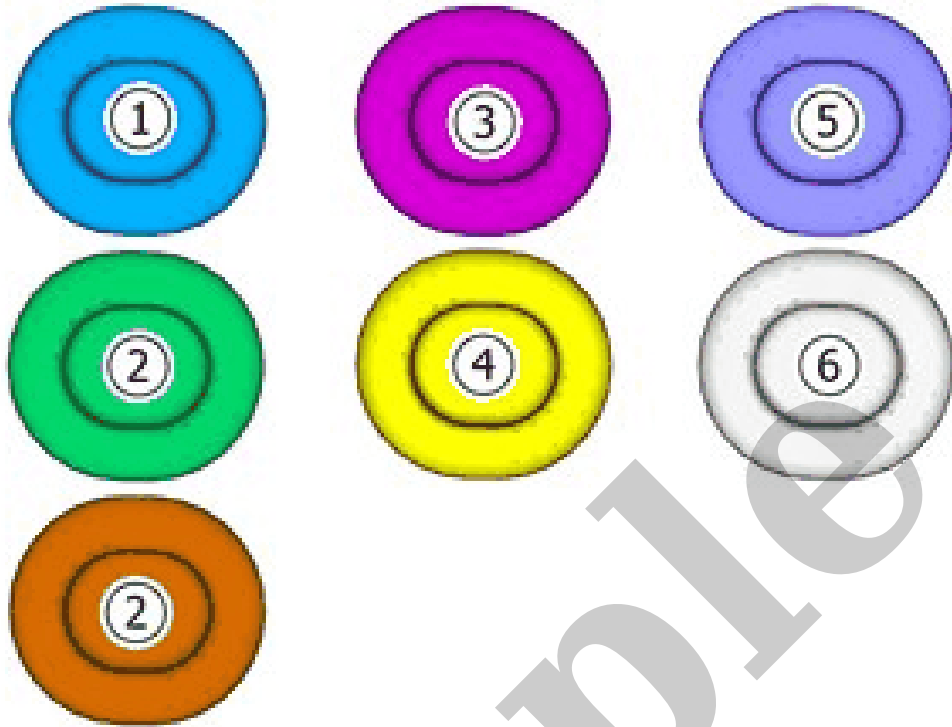
**CAUTION:** *Make sure not to damage painted surfaces.*

Request the aid of a colleague for this procedure.

1. Install the marked components.
  2. Install the marked component.
- Reinstall the removed parts in reverse order.

## **SPOILER, BOOT LID > SPOILER, BOOT LID [2018-2022] > ACCESSORY INSTALLATION**

**Equipment**



Courtesy of VOLVO CARS CORPORATION

**NOTE:** *This color chart displays (in color print and electronic version) the importance of the different colors used in the images of the method steps.*

1. Used for focused component, the component with which you will do something.
2. Used as extra colors when you need to show or differentiate additional parts.
3. Used for attachments that are to be removed/installed. May be screws, clips, connectors, etc.
4. Used when the component is not fully removed from the vehicle but only hung to the side.
5. Used for standard tools and special tools.
6. Used as background color for vehicle components.

## **REMOVAL**