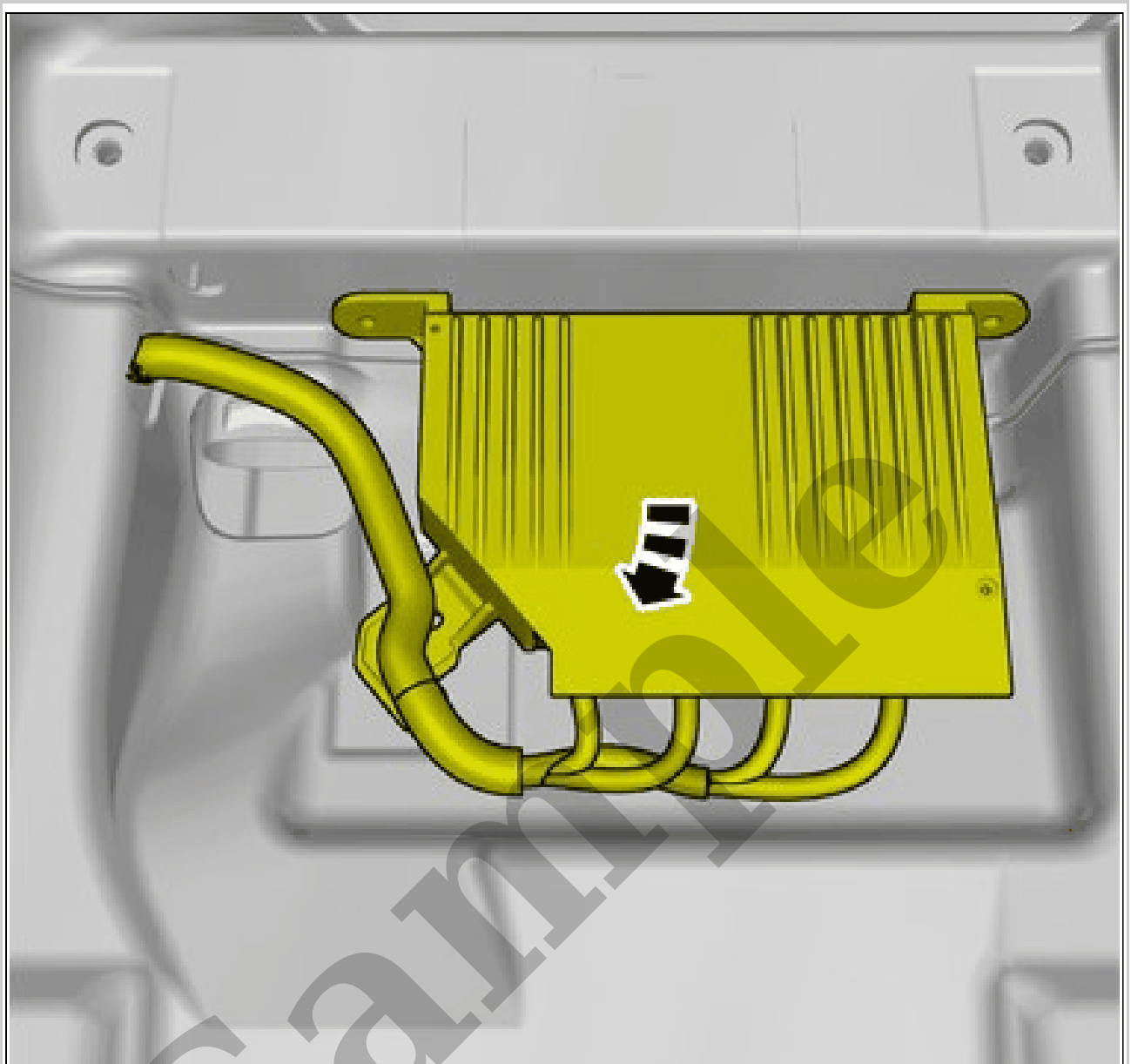


# Your Ultimate Source for OEM Repair Manuals

FactoryManuals.net is a great resource for anyone who wants to save money on repairs by doing their own work. The manuals provide detailed instructions and diagrams that make it easy to understand how to fix a vehicle.

## 2004 VOLVO V70 R OEM Service and Repair Workshop Manual

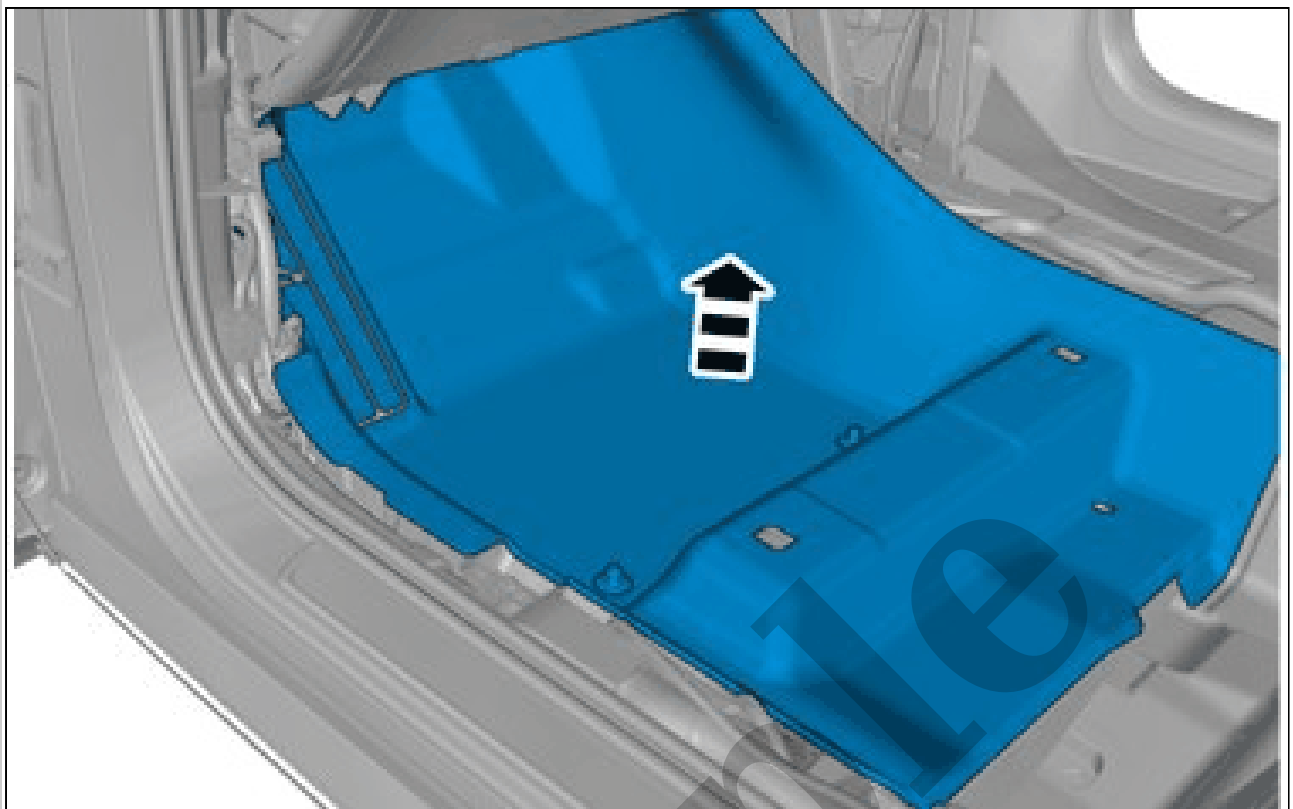
[Go to manual page](#)



Courtesy of VOLVO CARS CORPORATION

Fold marked part aside.

**FRONT FLOOR CARPET > FRONT FLOOR CARPET [2018-2022] > REMOVAL > ON BOTH SIDES.**



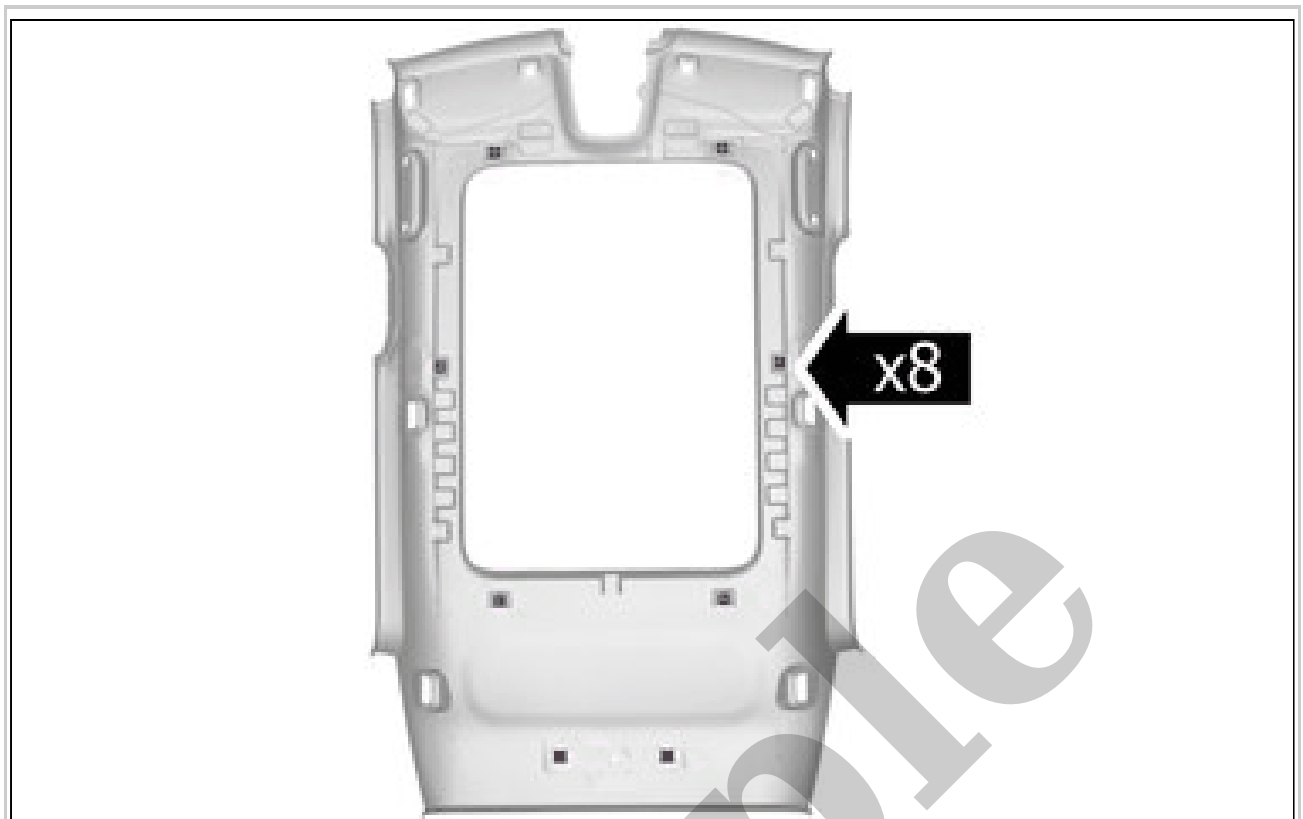
Courtesy of VOLVO CARS CORPORATION

Remove the marked part.

## **FRONT FLOOR CARPET > FRONT FLOOR CARPET [2018-2022] > INSTALLATION**

To install, reverse the removal procedure.

## **FRONT SILL MOLDING > FRONT SILL MOLDING [2018-2022] > REMOVAL**



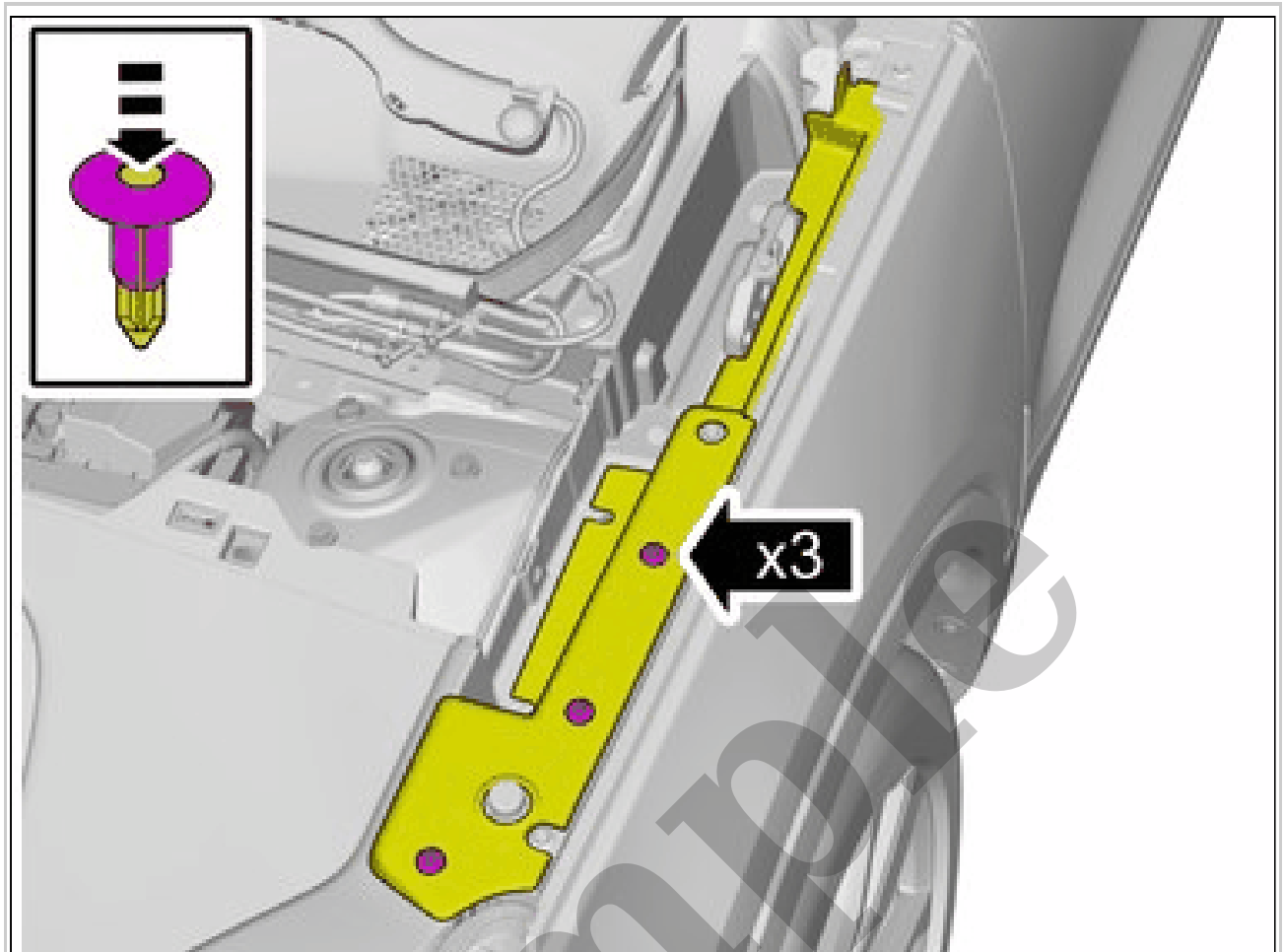
Courtesy of VOLVO CARS CORPORATION

**CAUTION:** *Take extra care not to crease the headliner.*

**NOTE:** *Velcro strip*

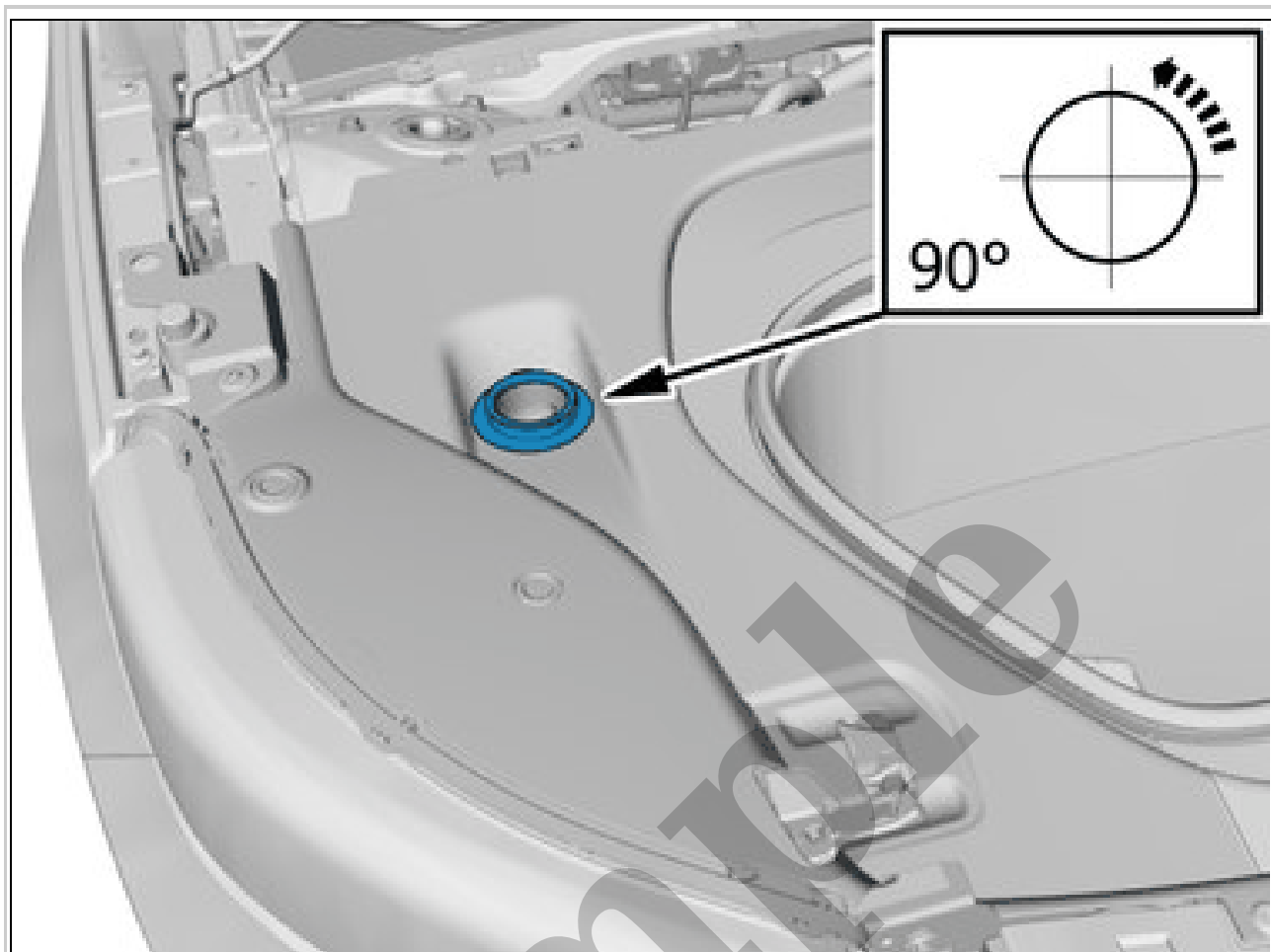
**Use:** Interior trim remover

**HEADLINING > HEADLINING [2018-2022] > REMOVAL > ALL VEHICLES**



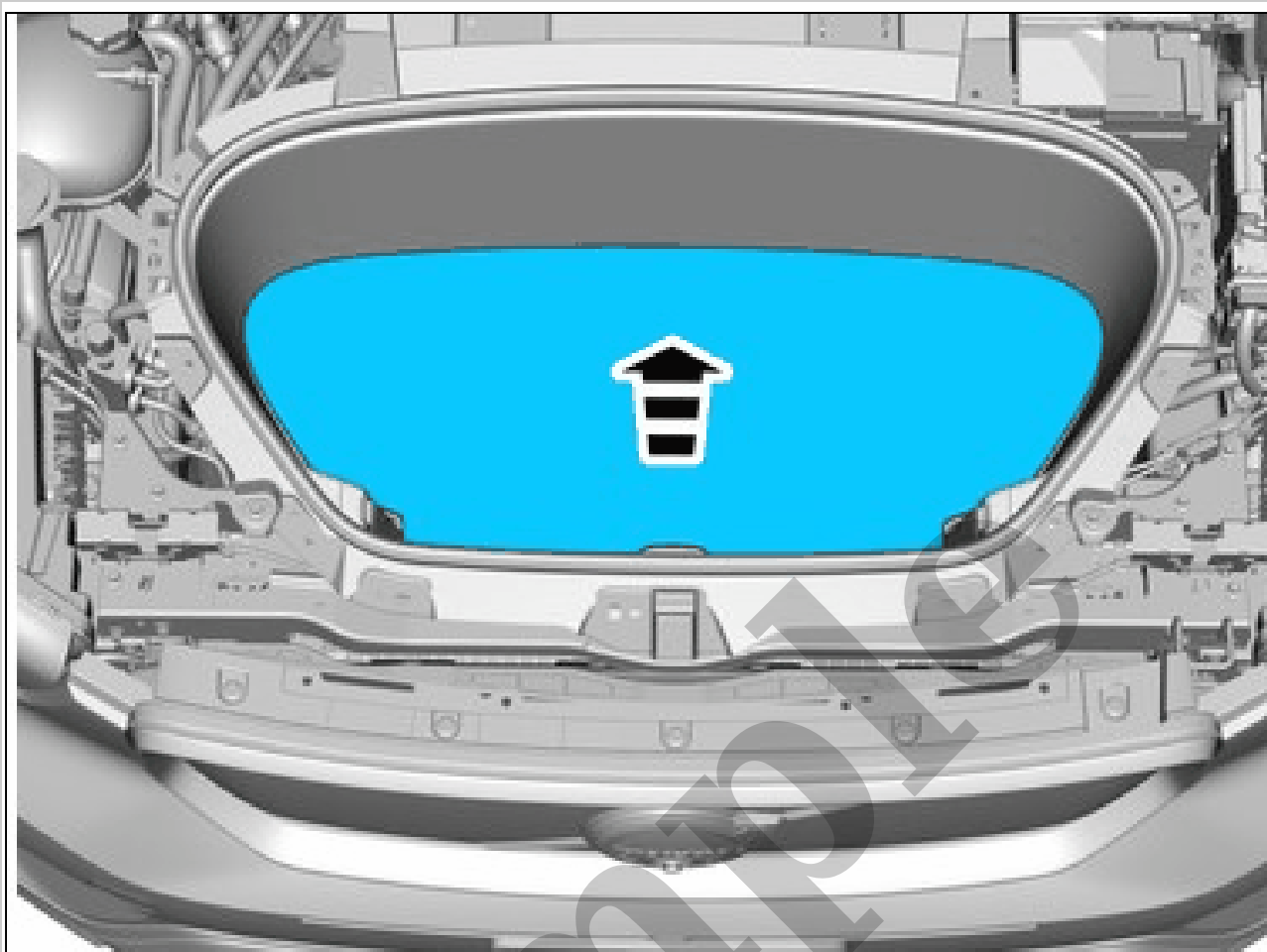
Courtesy of VOLVO CARS CORPORATION

Loosen the component indicated. Do not remove it.  
Remove the clips.



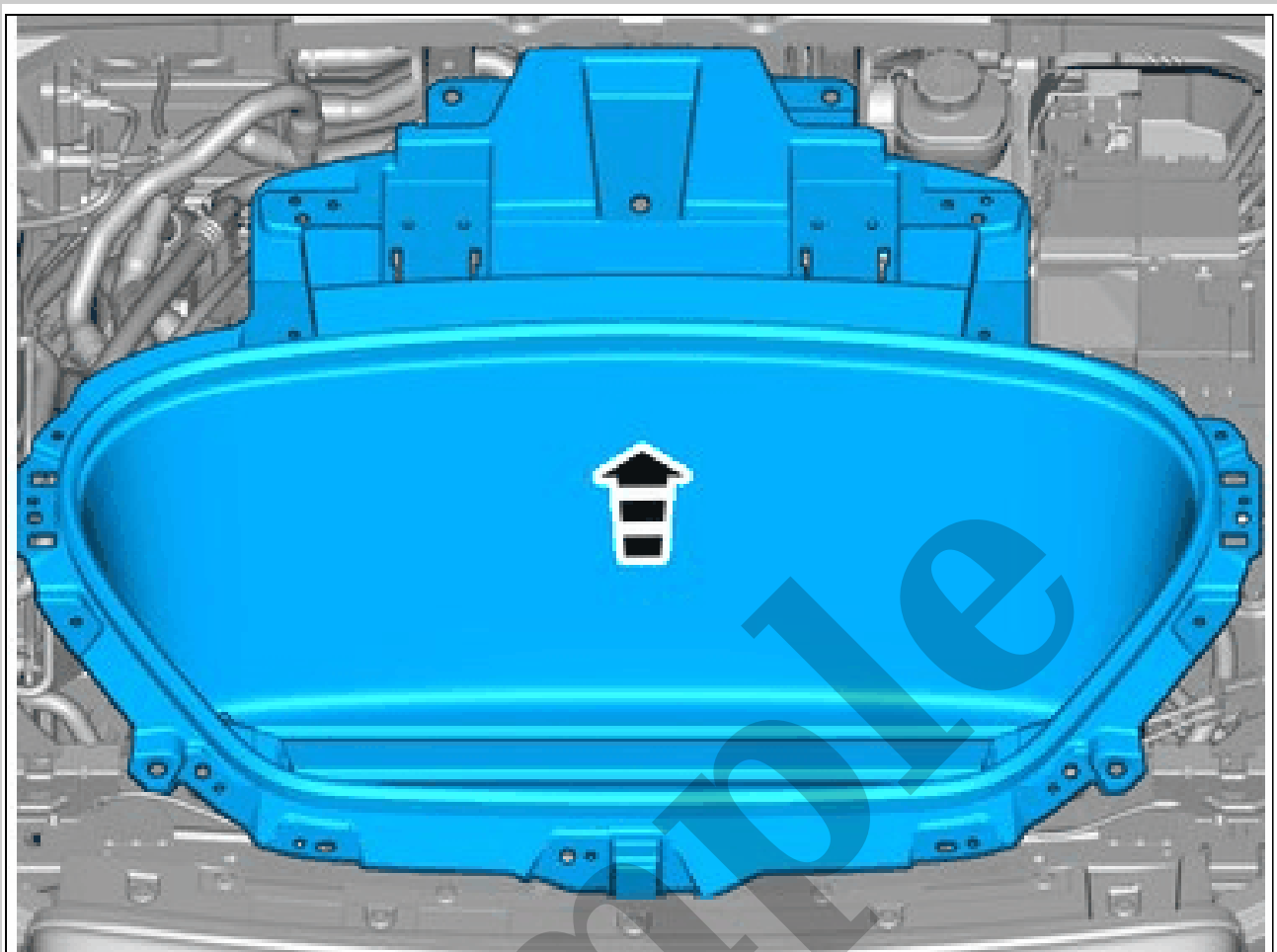
Courtesy of VOLVO CARS CORPORATION

Remove the marked part.



Courtesy of VOLVO CARS CORPORATION

Remove the marked part.



Courtesy of VOLVO CARS CORPORATION

Remove the marked part.

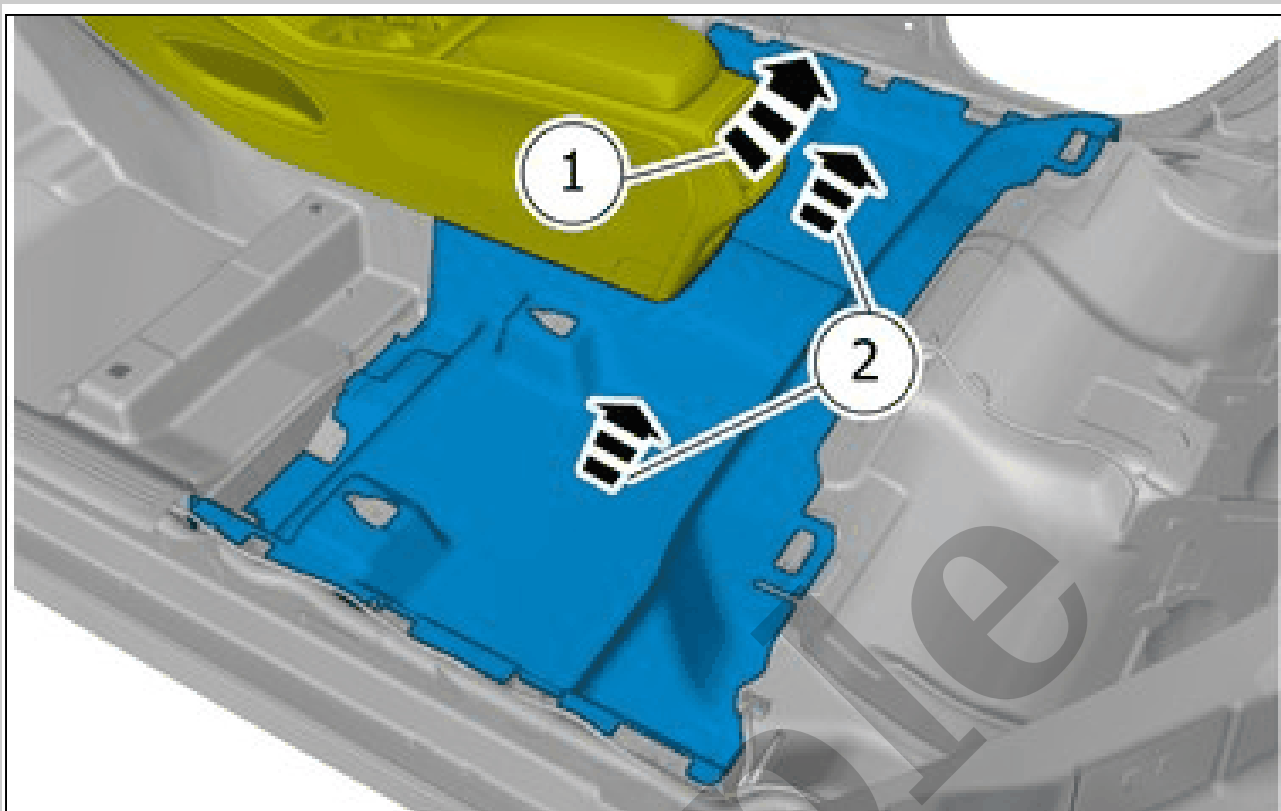
### **LUGGAGE COMPARTMENT, FRONT > LUGGAGE COMPARTMENT, FRONT [2021-2022, E400V6] > INSTALLATION**

To install, reverse the removal procedure.

### **LUGGAGE COMPARTMENT SILL MOLDING > LUGGAGE COMPARTMENT SILL MOLDING [2018-2022] > REMOVAL**

**NOTE:** *Removal steps in this procedure may contain installation details.*





Courtesy of VOLVO CARS CORPORATION

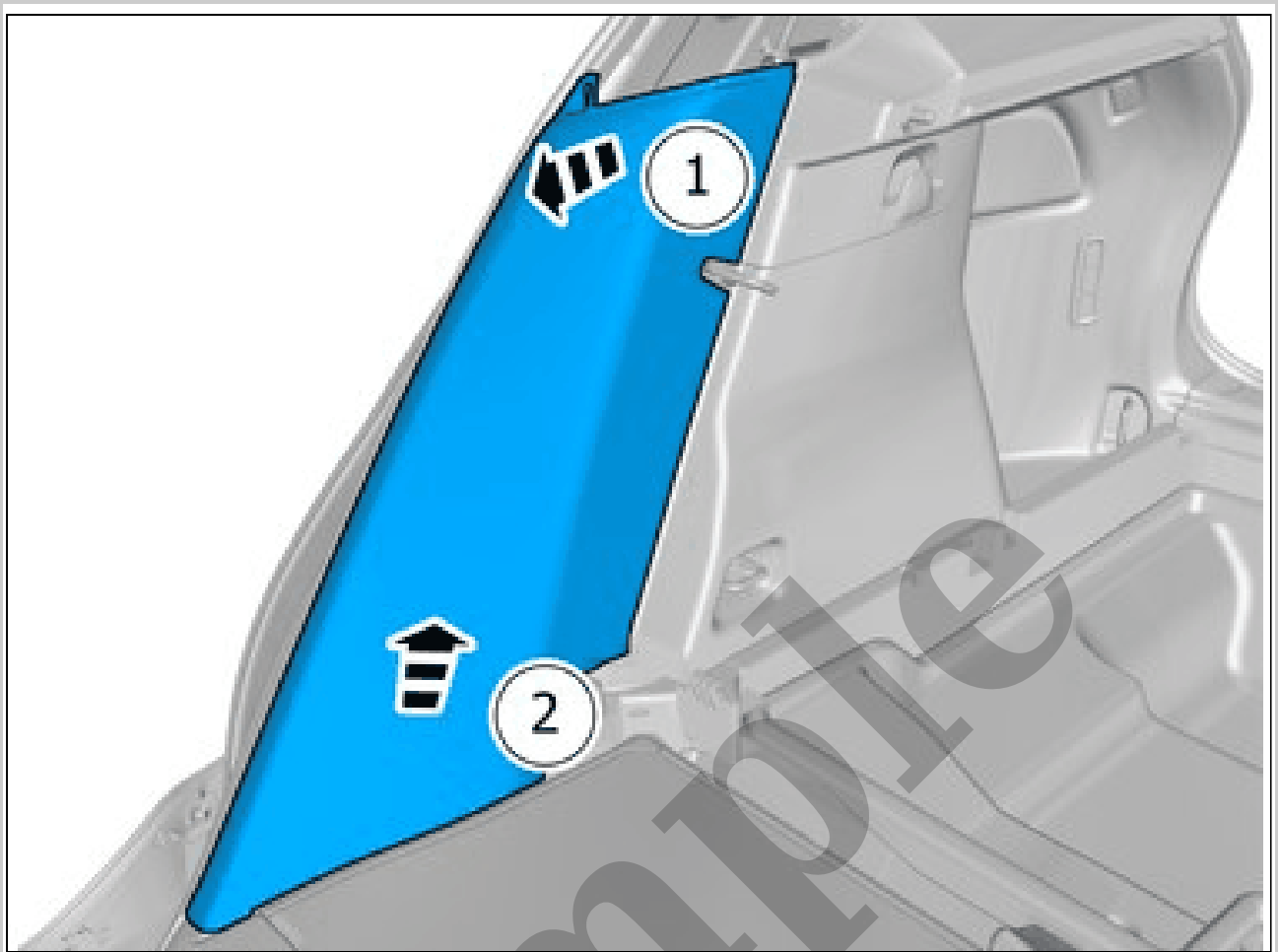
**HINT: This step may require the aid of another technician.**

1. Lift the marked component up
2. Remove the marked part.

**REAR FLOOR CARPET > REAR FLOOR CARPET [2018-2022] > INSTALLATION**

To install, reverse the removal procedure.

**REAR SILL MOLDING > REAR SILL MOLDING [2018-2022] > REMOVAL**



Courtesy of VOLVO CARS CORPORATION

Remove the marked part.  
Use hands only.