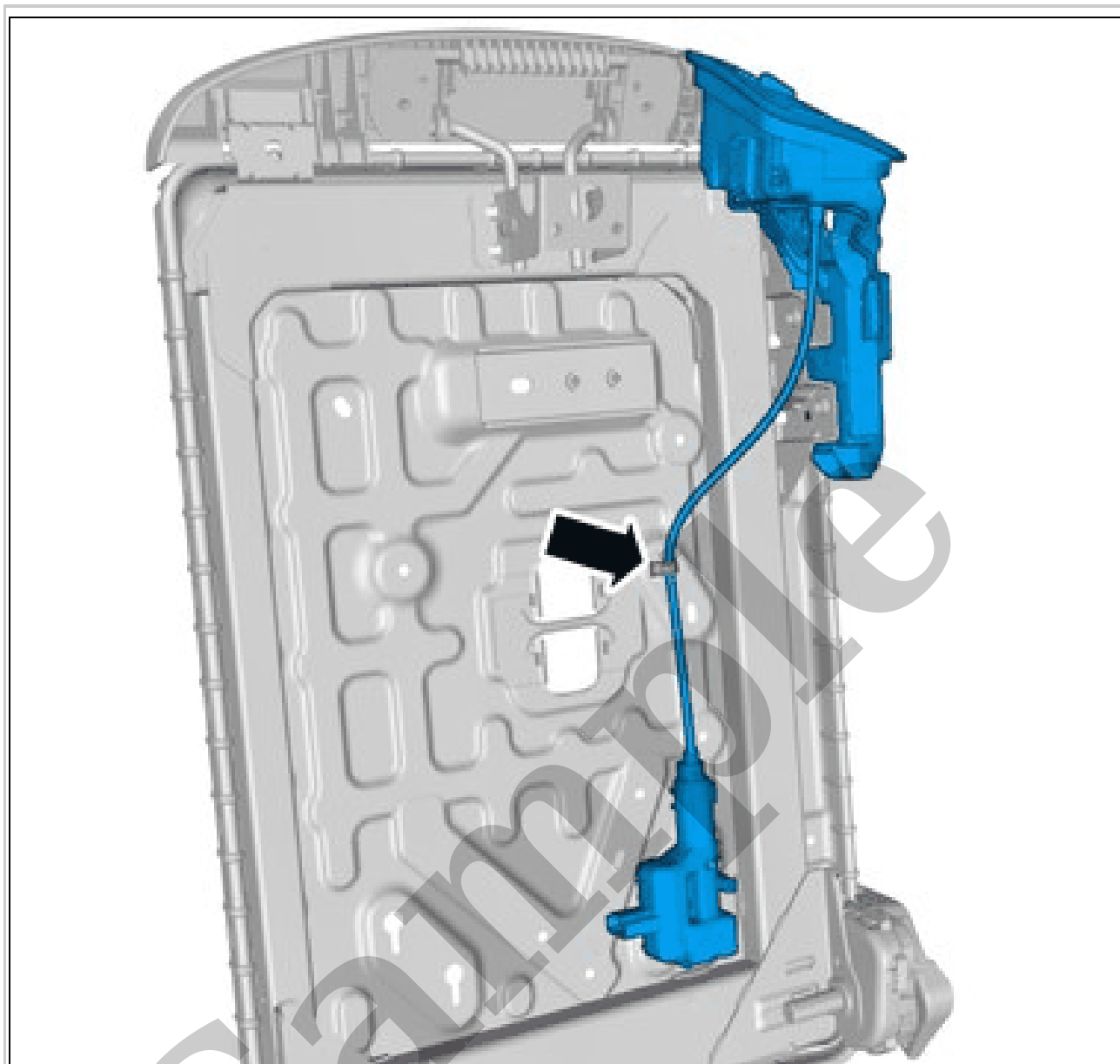


Your Ultimate Source for OEM Repair Manuals

FactoryManuals.net is a great resource for anyone who wants to save money on repairs by doing their own work. The manuals provide detailed instructions and diagrams that make it easy to understand how to fix a vehicle.

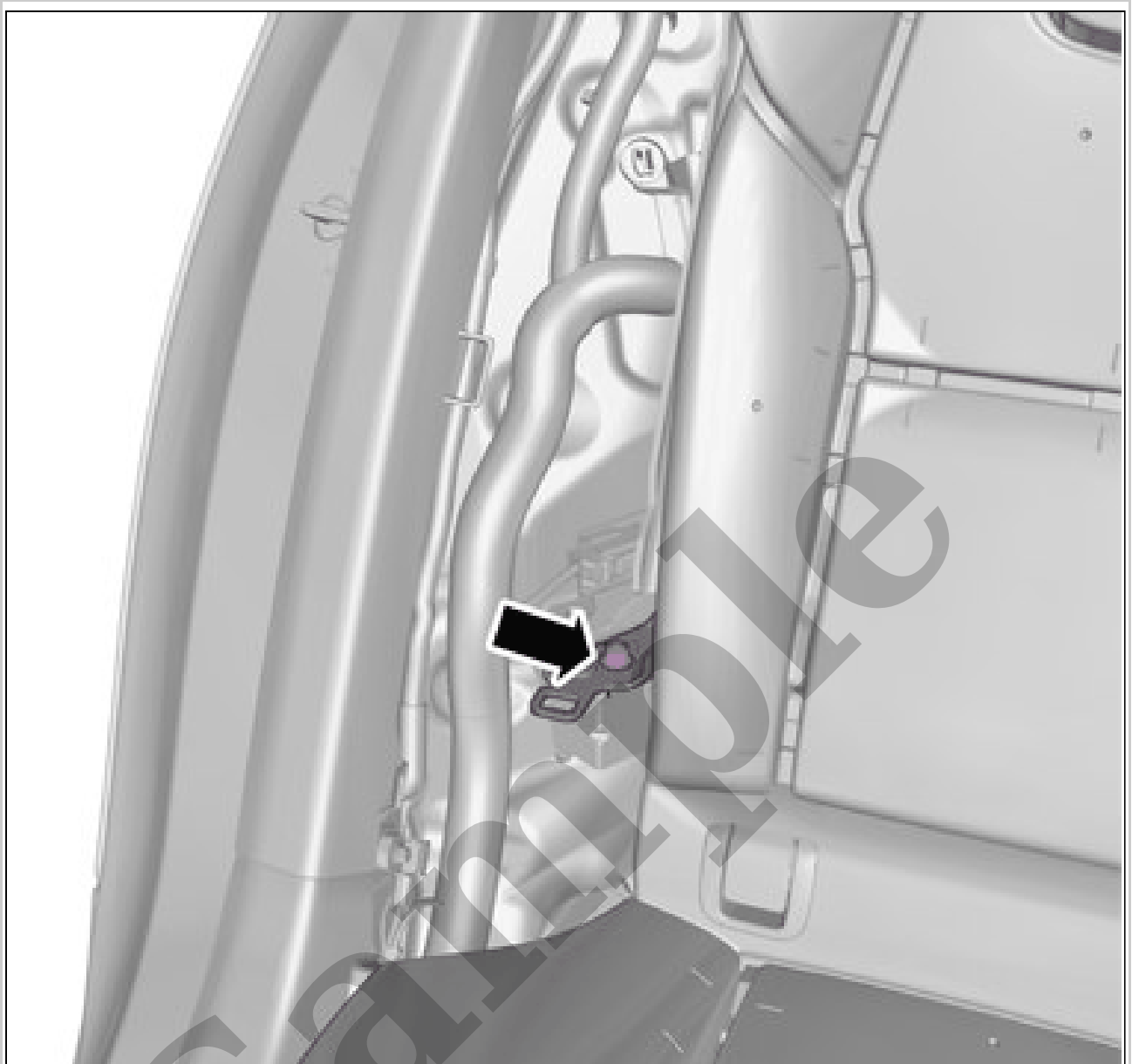
2004 VOLVO V70 OEM Service and Repair Workshop Manual

[Go to manual page](#)



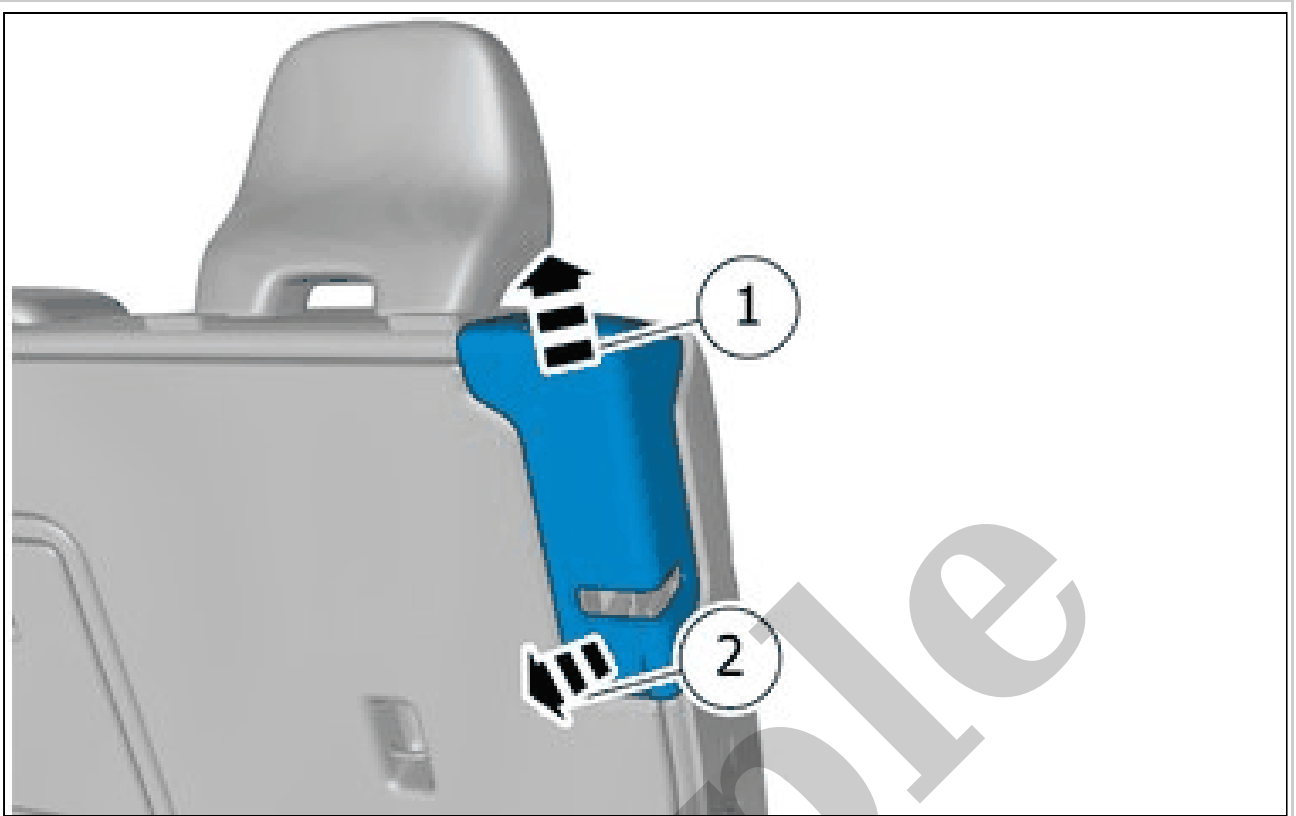
Courtesy of VOLVO CARS CORPORATION

Loosen the clip.
Remove the marked part.



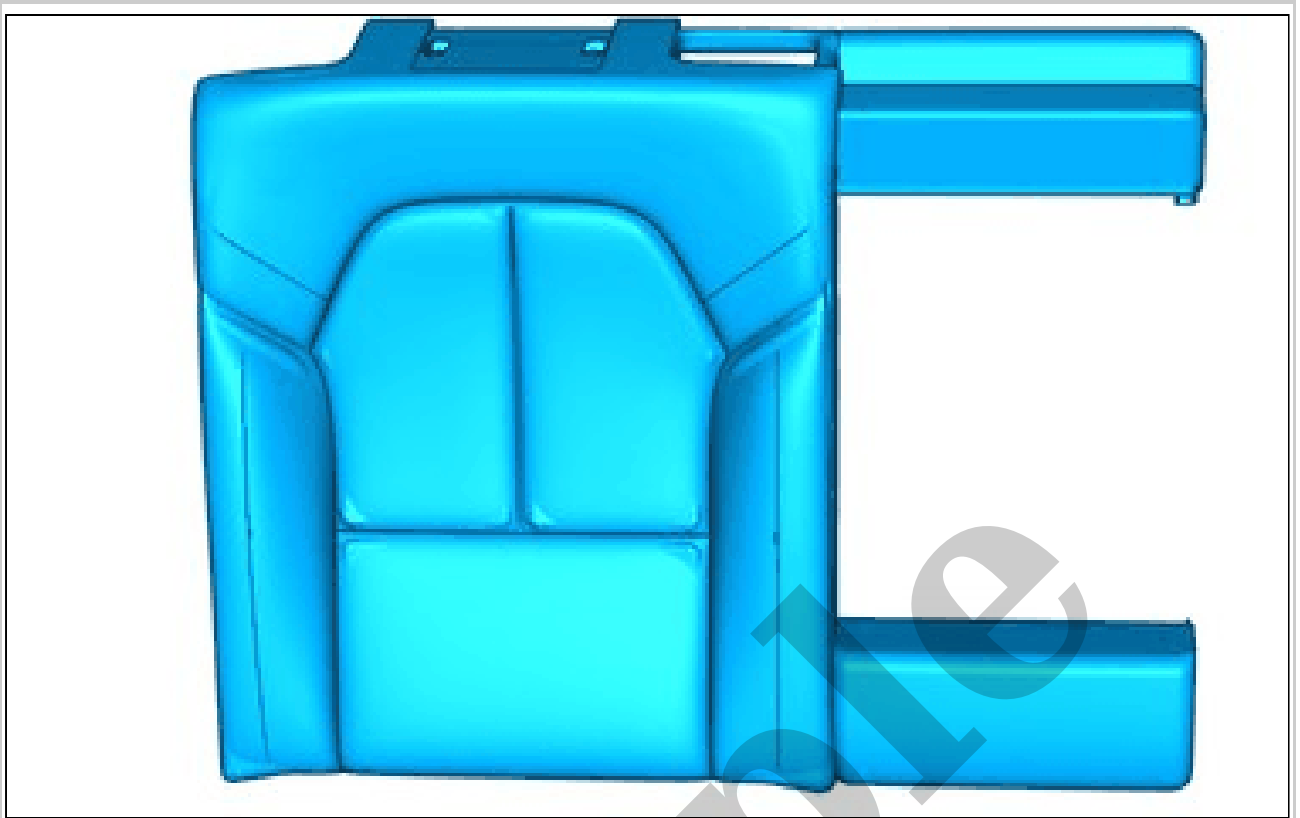
Courtesy of VOLVO CARS CORPORATION

Torque: Rear seat backrest to body, 48Nm
Remove the screw.



Courtesy of VOLVO CARS CORPORATION

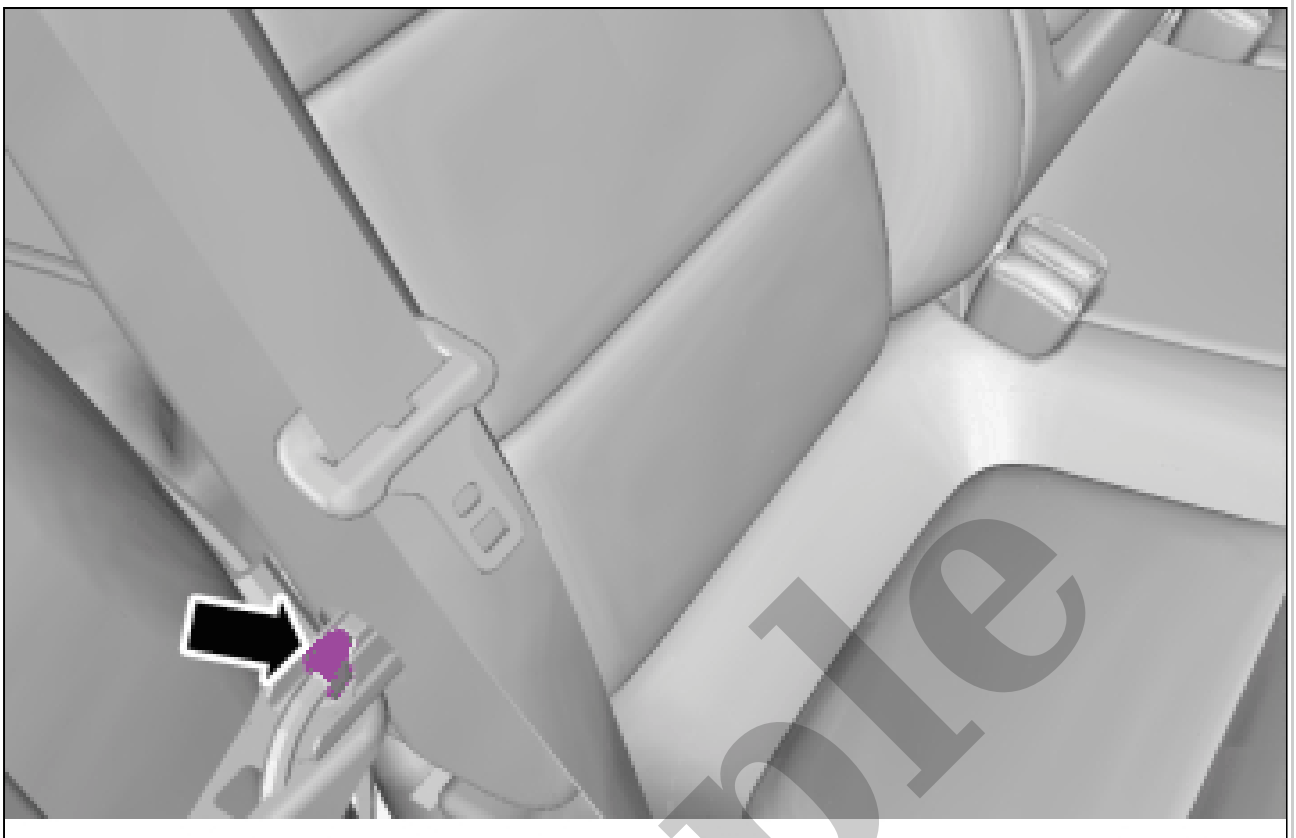
Remove the marked part.



Courtesy of VOLVO CARS CORPORATION

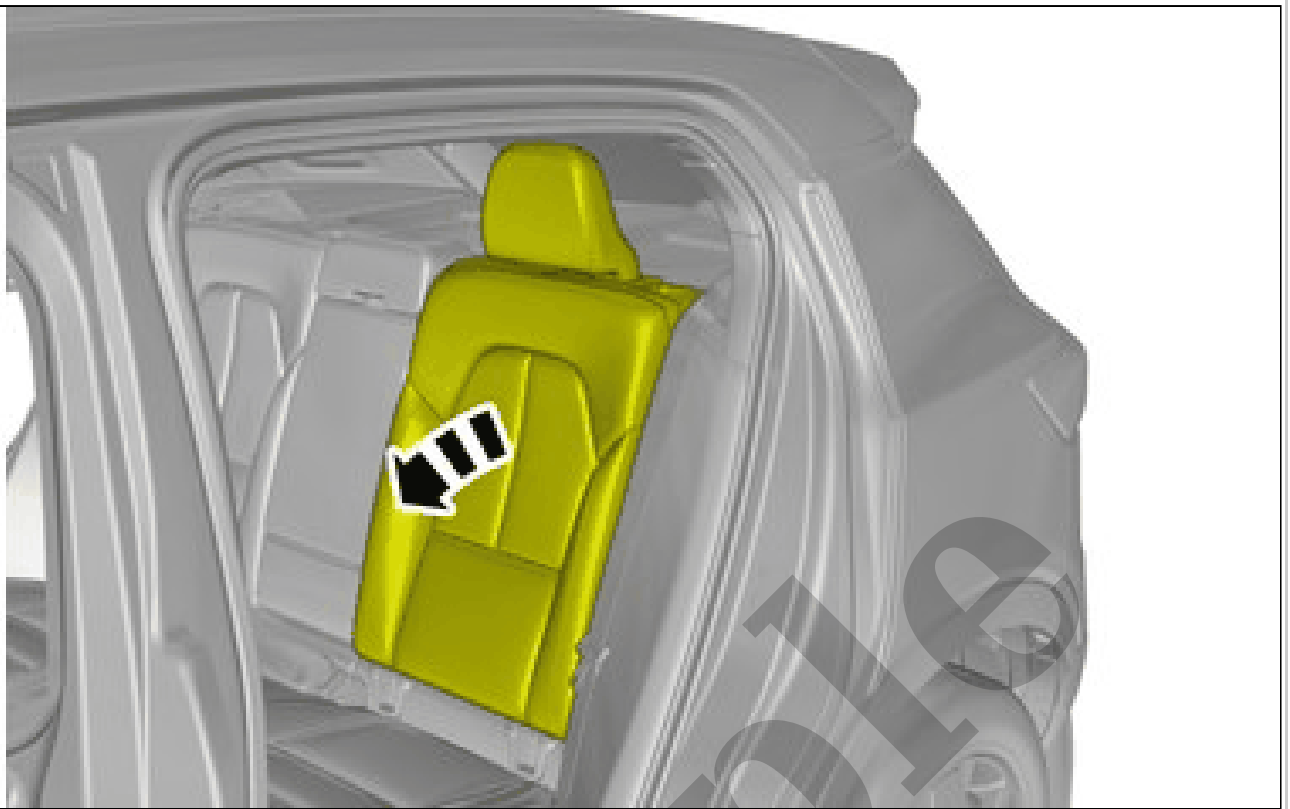
Remove the marked part.

Sample



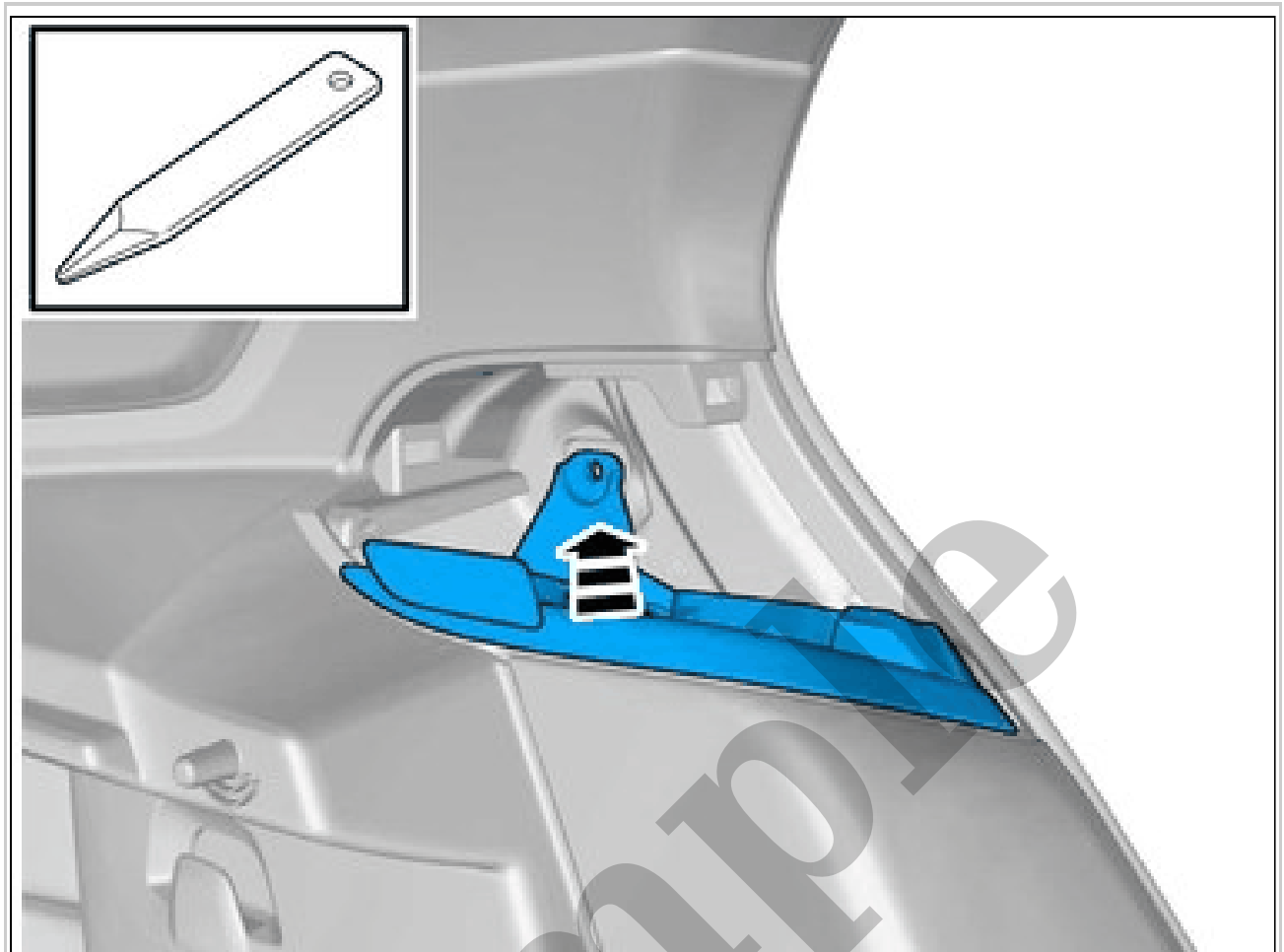
Courtesy of VOLVO CARS CORPORATION

Disconnect the connector.



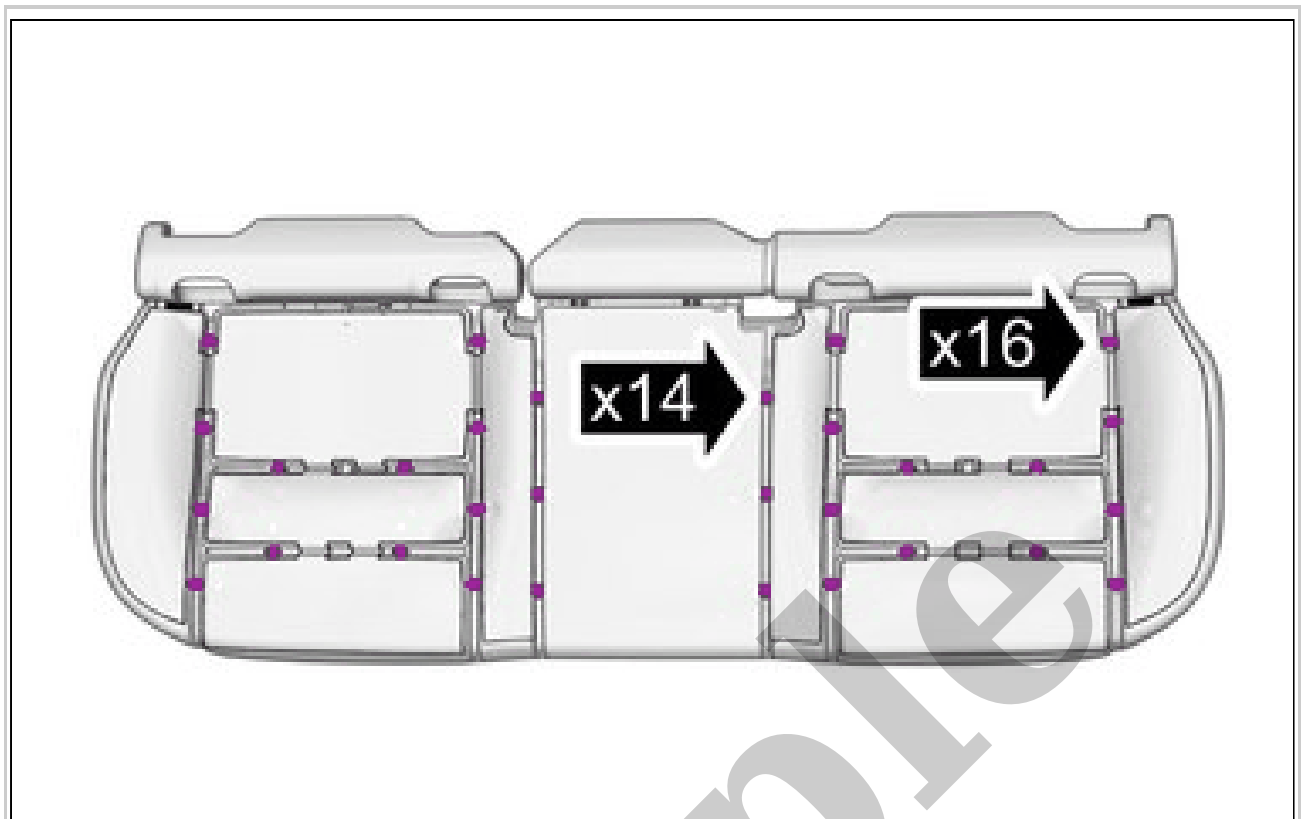
Courtesy of VOLVO CARS CORPORATION

Sample



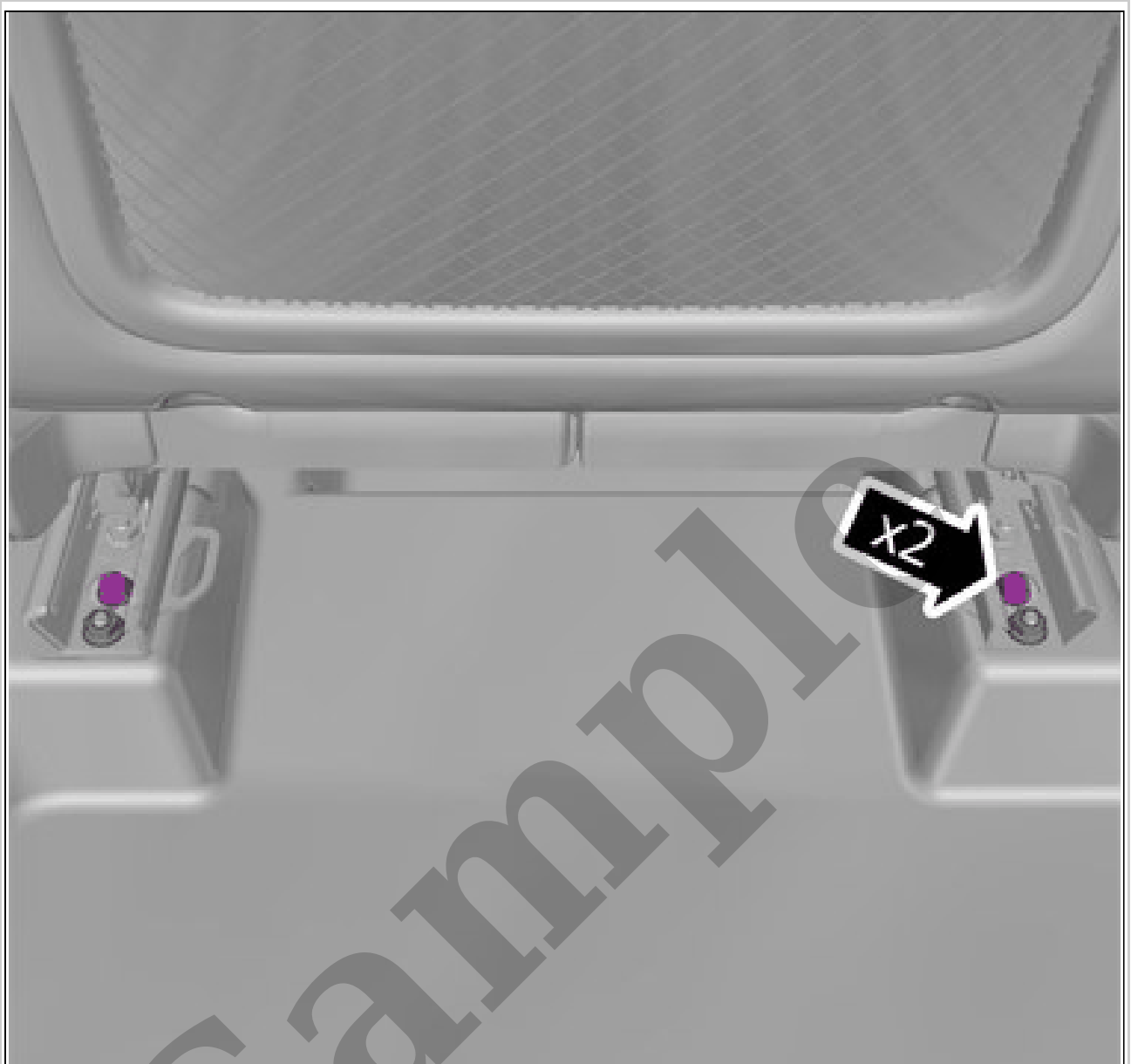
Courtesy of VOLVO CARS CORPORATION

Remove the marked part.



Courtesy of VOLVO CARS CORPORATION

Remove the fasteners.
Special Tool: 115 8962 CRIMP PLIERS
Release the locks.



Courtesy of VOLVO CARS CORPORATION

Torque: Front seat to body, 40Nm

Remove the screws.

Set the vehicle to Inactive mode, described in user mode. Refer to: USAGE MODE