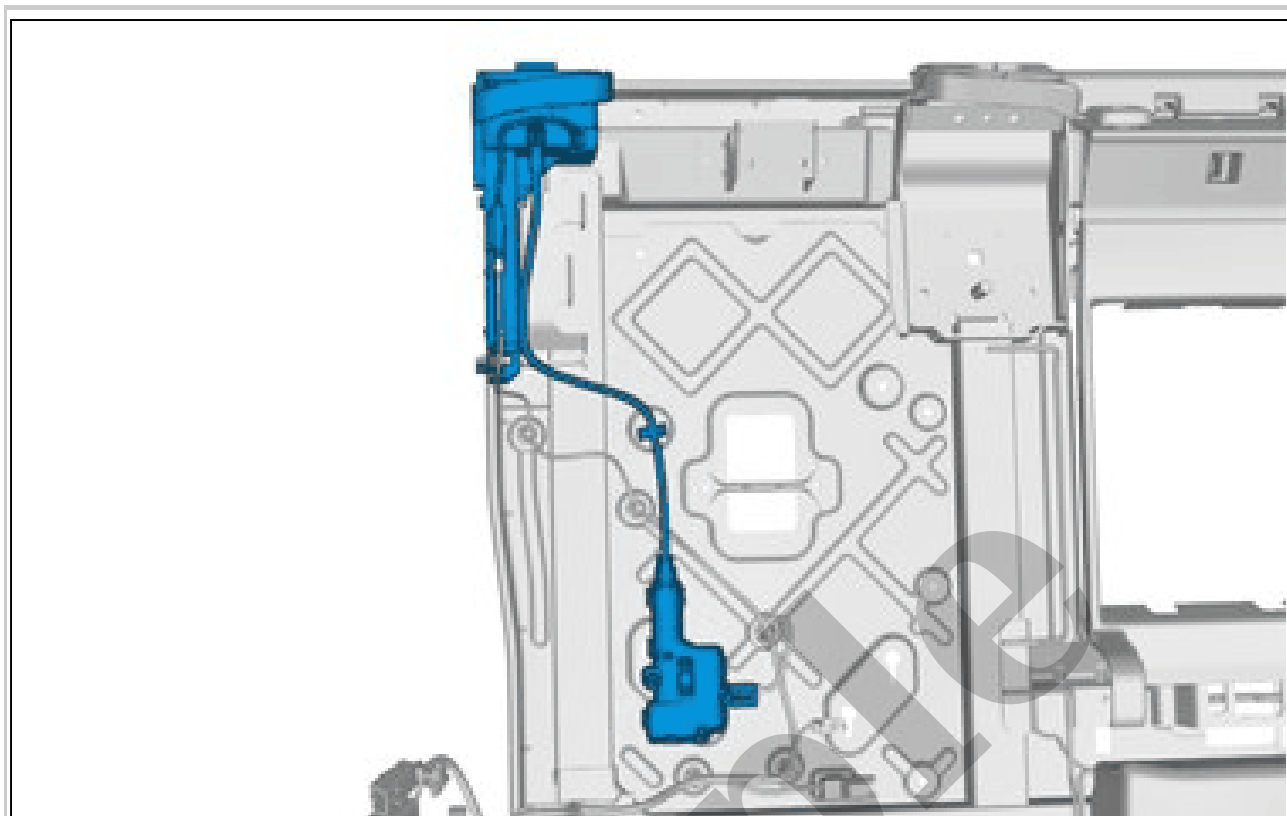


# Your Ultimate Source for OEM Repair Manuals

FactoryManuals.net is a great resource for anyone who wants to save money on repairs by doing their own work. The manuals provide detailed instructions and diagrams that make it easy to understand how to fix a vehicle.

## 2004 VOLVO V50 OEM Service and Repair Workshop Manual

[Go to manual page](#)

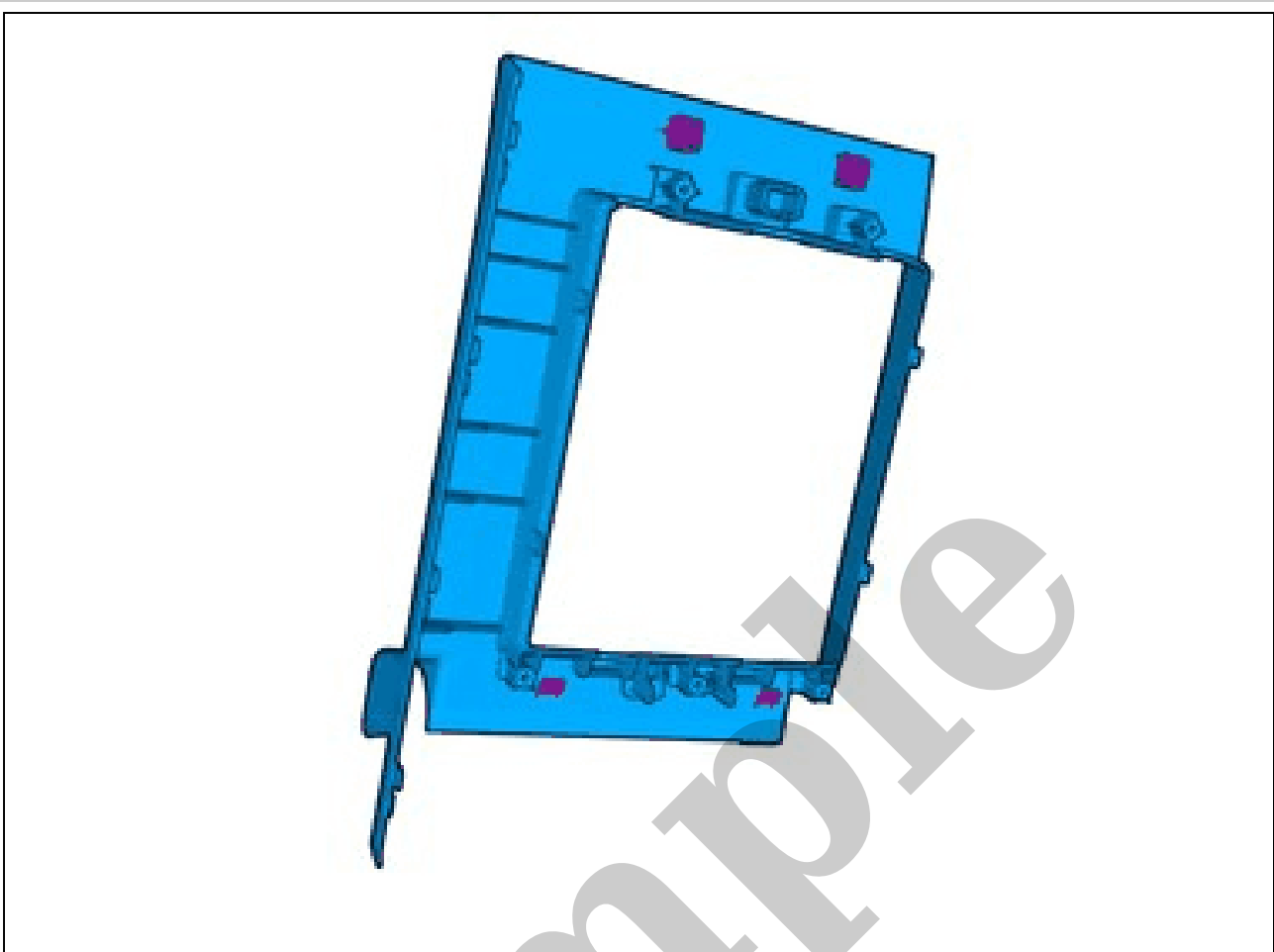


Courtesy of VOLVO CARS CORPORATION

Remove the marked part.

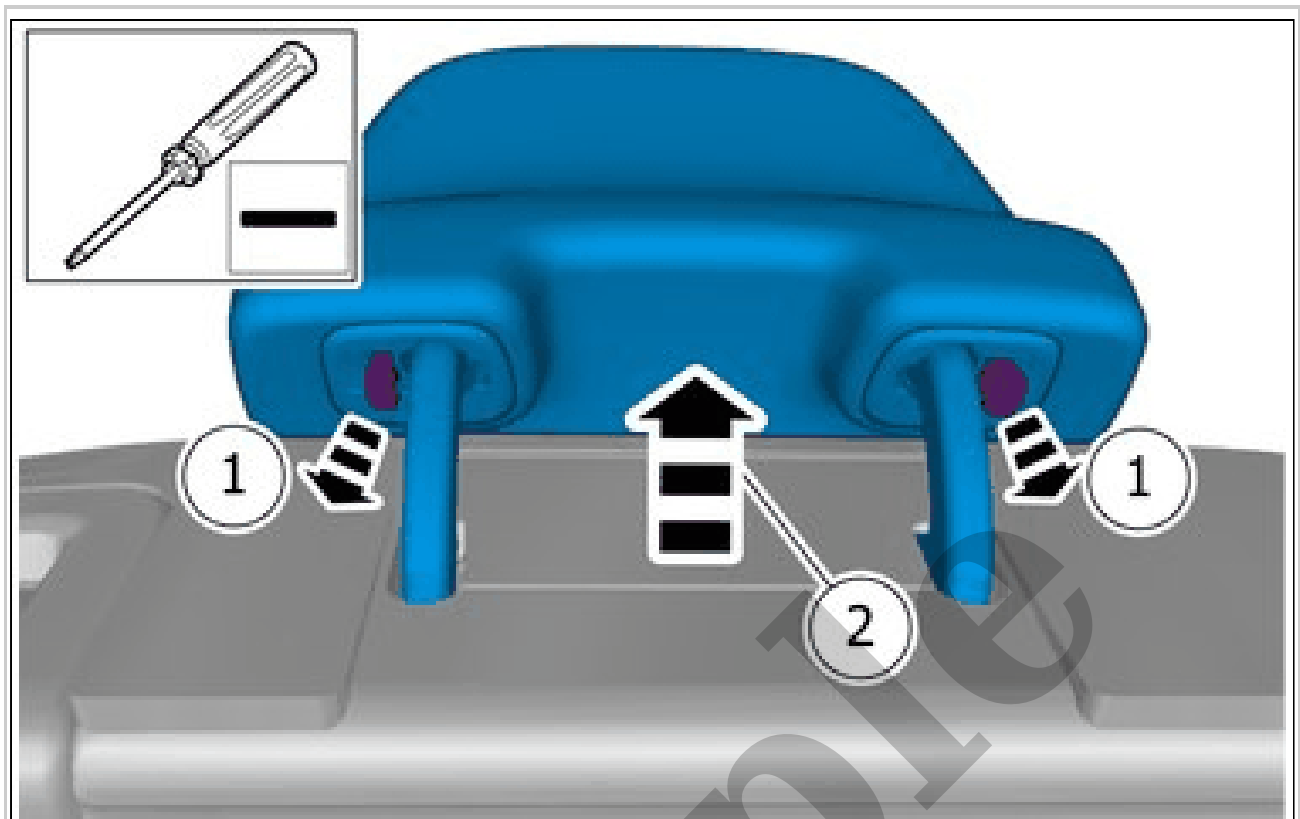
## **BACKREST FOLDING LOCK > BACKREST FOLDING LOCK [2018-2022] > INSTALLATION**

To install, reverse the removal procedure.



Courtesy of VOLVO CARS CORPORATION

The graphic shows the back of the component.



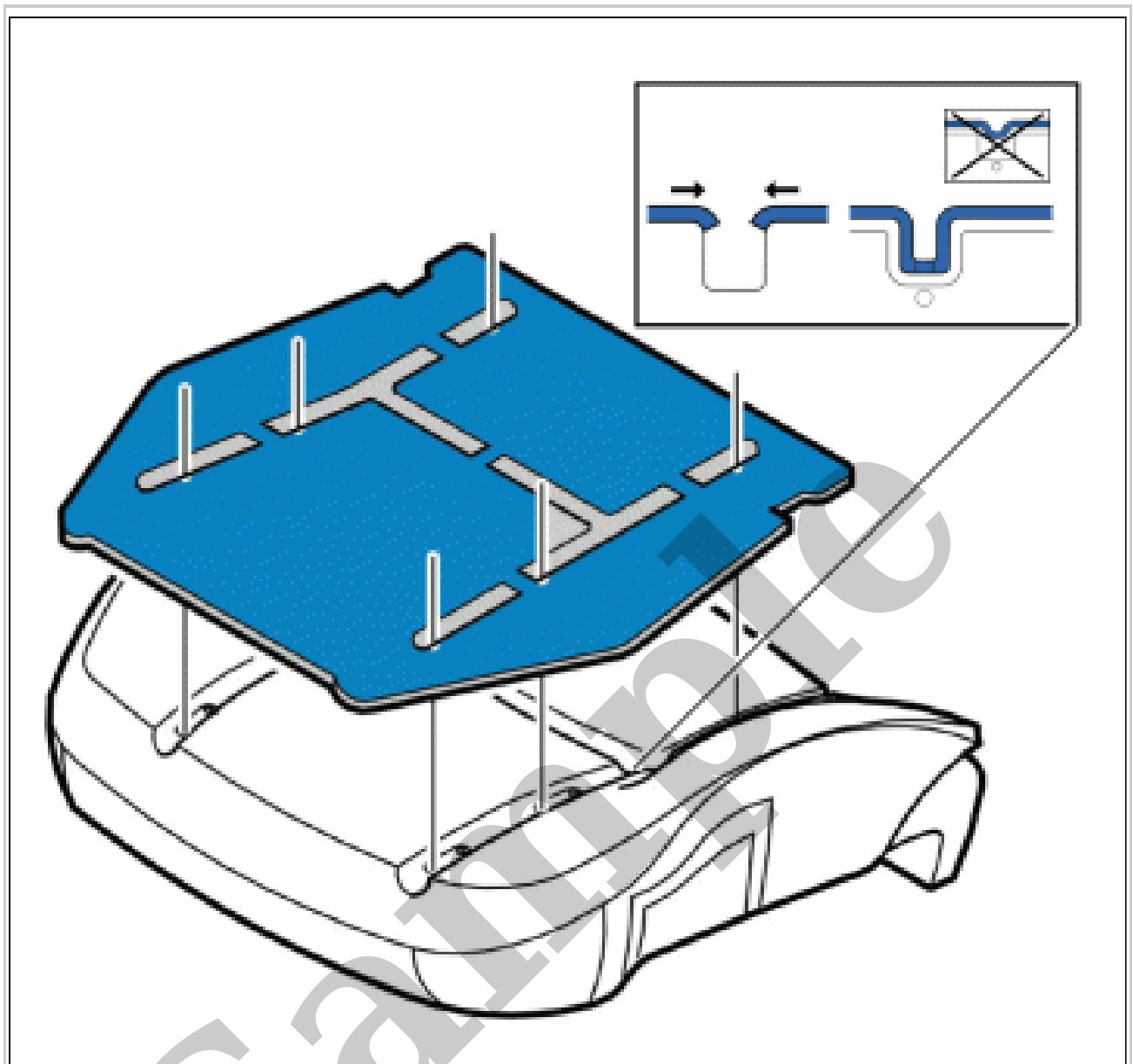
Courtesy of VOLVO CARS CORPORATION

1. Release the catches.
2. Remove the marked part.

**HEAD RESTRAINT, SECOND SEAT ROW > HEAD RESTRAINT, SECOND SEAT ROW  
[2018-2022] > REMOVAL > VEHICLES WITH NON FOLDABLE HEAD RESTRAINTS**



Courtesy of VOLVO CARS CORPORATION

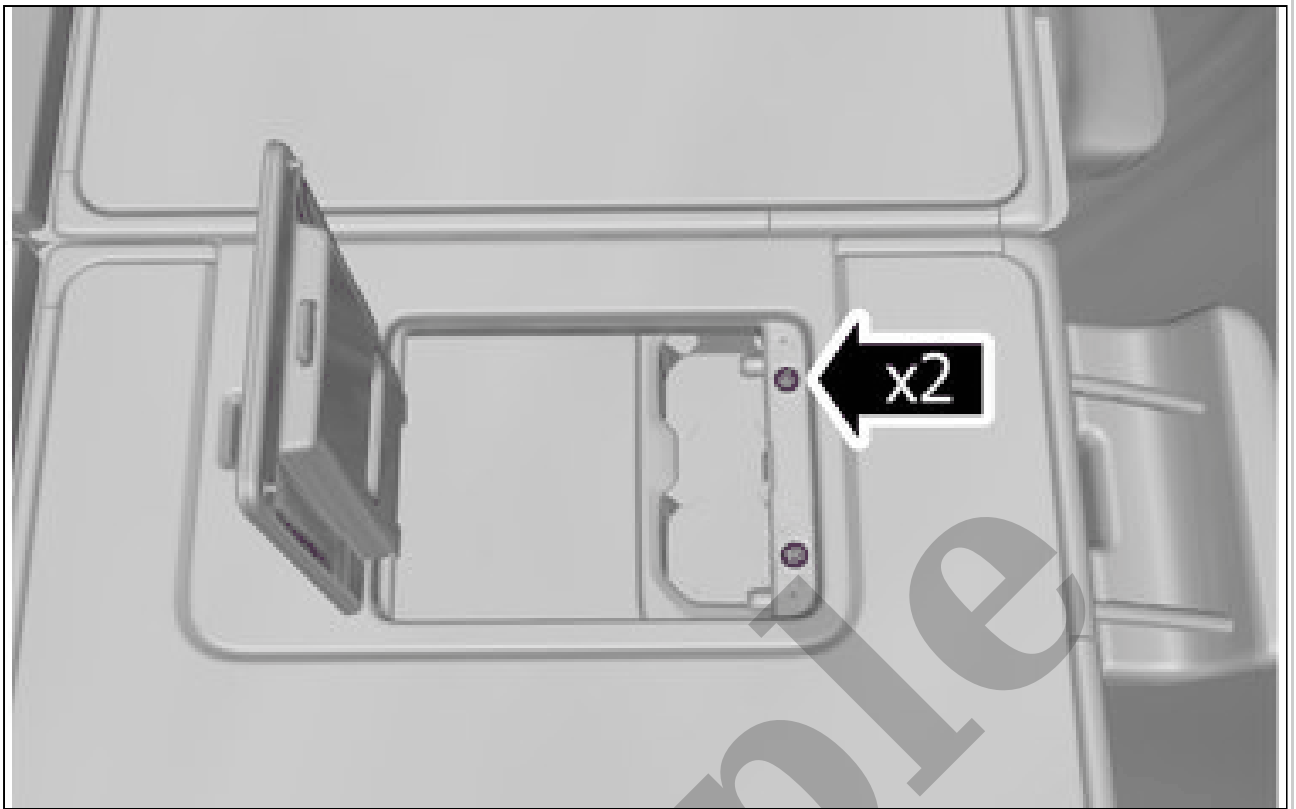


Courtesy of VOLVO CARS CORPORATION

**CAUTION:** Make sure to place the component as the graphic shows.

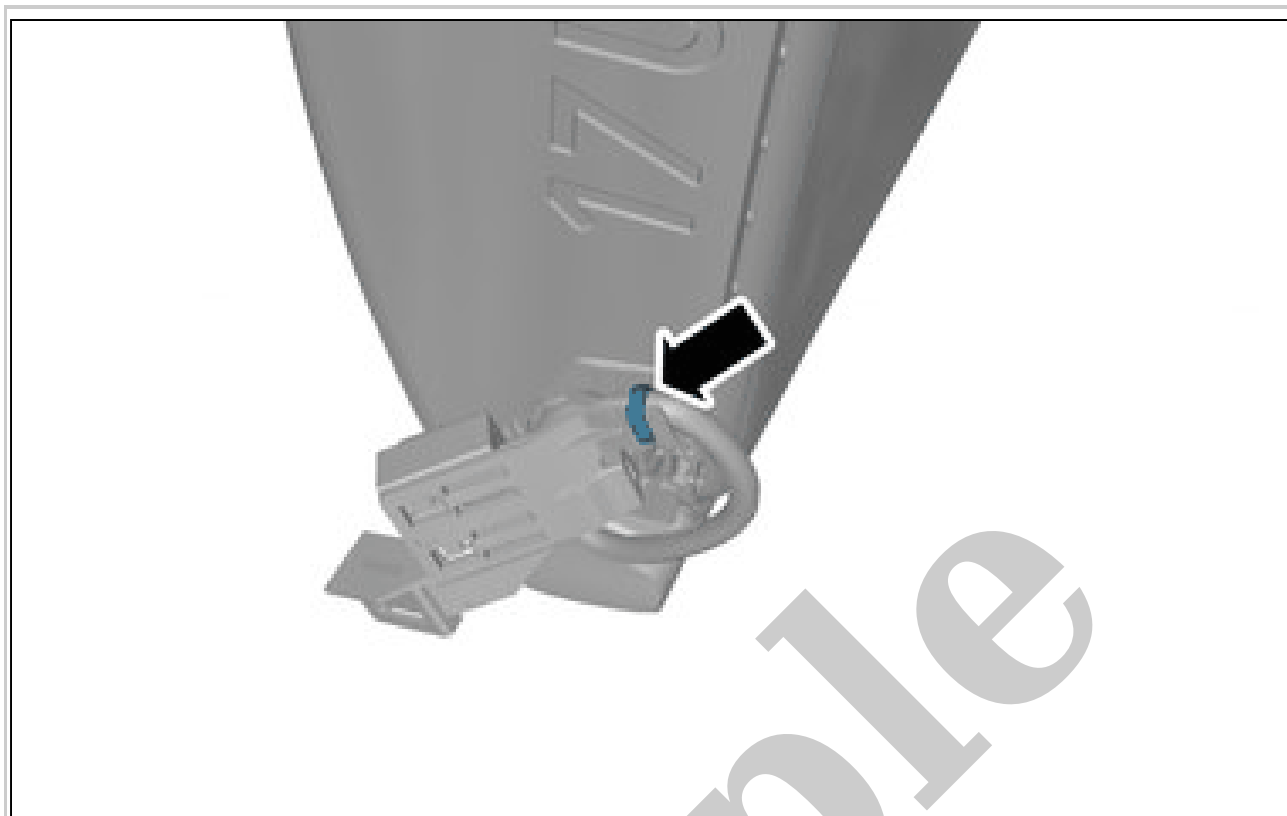
**NOTE:** Make sure that a new component is installed.

To install, reverse the removal procedure.



Courtesy of VOLVO CARS CORPORATION

Remove the screws.



Courtesy of VOLVO CARS CORPORATION

Remove the marked part.

Sample





Courtesy of VOLVO CARS CORPORATION

Remove the marked part.



Courtesy of VOLVO CARS CORPORATION

Remove the screws.